



US00D974248S

(12) **United States Design Patent** (10) **Patent No.:** **US D974,248 S**
Pena et al. (45) **Date of Patent:** **** Jan. 3, 2023**

(54) **REAR BUMPER FOR A VEHICLE**
(71) Applicant: **Bayerische Motoren Werke Aktiengesellschaft, Munich (DE)**
(72) Inventors: **Jose Alberto Casas Pena, Munich (DE); Pavle Trpinac, Munich (DE)**
(73) Assignee: **Bayerische Motoren Werke Aktiengesellschaft, Munich (DE)**
(**) Term: **15 Years**

D840,883 S * 2/2019 Cartabiano D12/169
D841,537 S * 2/2019 Morikawa D12/169
D856,224 S * 8/2019 Nissl D12/169
D856,376 S * 8/2019 Soe D15/22
D856,872 S * 8/2019 Smith D12/169
D866,418 S * 11/2019 Peplowski D12/169
D867,234 S * 11/2019 Peplowski D12/169
D870,611 S * 12/2019 Tonello D12/169
D887,916 S * 6/2020 Toriyama D12/169
D890,651 S * 7/2020 Peplowski D12/169
D909,930 S * 2/2021 Patel D12/169
D911,228 S * 2/2021 Guille D12/169
D911,230 S * 2/2021 Wietrzychowski D12/169
D914,555 S * 3/2021 Bischoff D12/169

(Continued)

(21) Appl. No.: **29/786,455**
(22) Filed: **Jun. 1, 2021**

(30) **Foreign Application Priority Data**

Dec. 4, 2020 (DE) 402020101154.1

(51) **LOC (14) Cl.** **12-16**

(52) **U.S. Cl.**
USPC **D12/169**

(58) **Field of Classification Search**
USPC D12/163, 196, 86, 90-92, 169, 190, 98,
D12/164; 293/102, 113, 115, 117, 120,
293/193.11; 296/180.1, 180.2
CPC B60R 19/02; B60R 19/04; B62D 25/08
See application file for complete search history.

(56) **References Cited**

U.S. PATENT DOCUMENTS

D710,760 S 8/2014 Johnson
D725,010 S * 3/2015 Takei D12/169
D782,373 S * 3/2017 Curie D12/169
D792,291 S * 7/2017 Suga D12/169
D800,034 S * 10/2017 Kojima D12/169
D802,500 S * 11/2017 Han D12/169
D824,817 S * 8/2018 Morikawa D12/169
D824,818 S * 8/2018 Morikawa D12/169
D825,413 S 8/2018 Luk
D826,113 S * 8/2018 Kanai D12/169

FOREIGN PATENT DOCUMENTS

WO WO DM/209873 2/2021

Primary Examiner — Melody N Brown

(74) Attorney, Agent, or Firm — Crowell & Moring LLP

(57) **CLAIM**

The ornamental design for a rear bumper for a vehicle, as shown and described.

DESCRIPTION

This application contains subject matter related to the following co-pending U.S. design patent application: Application Ser. No. 29/786,456, filed herewith and entitled "Rear Bumper for a Vehicle".

FIG. 1 is a front view of a rear bumper for a vehicle showing our new design;

FIG. 2 is a left, bottom perspective view thereof;

FIG. 3 is a right, front perspective view thereof;

FIG. 4 is a left side view thereof;

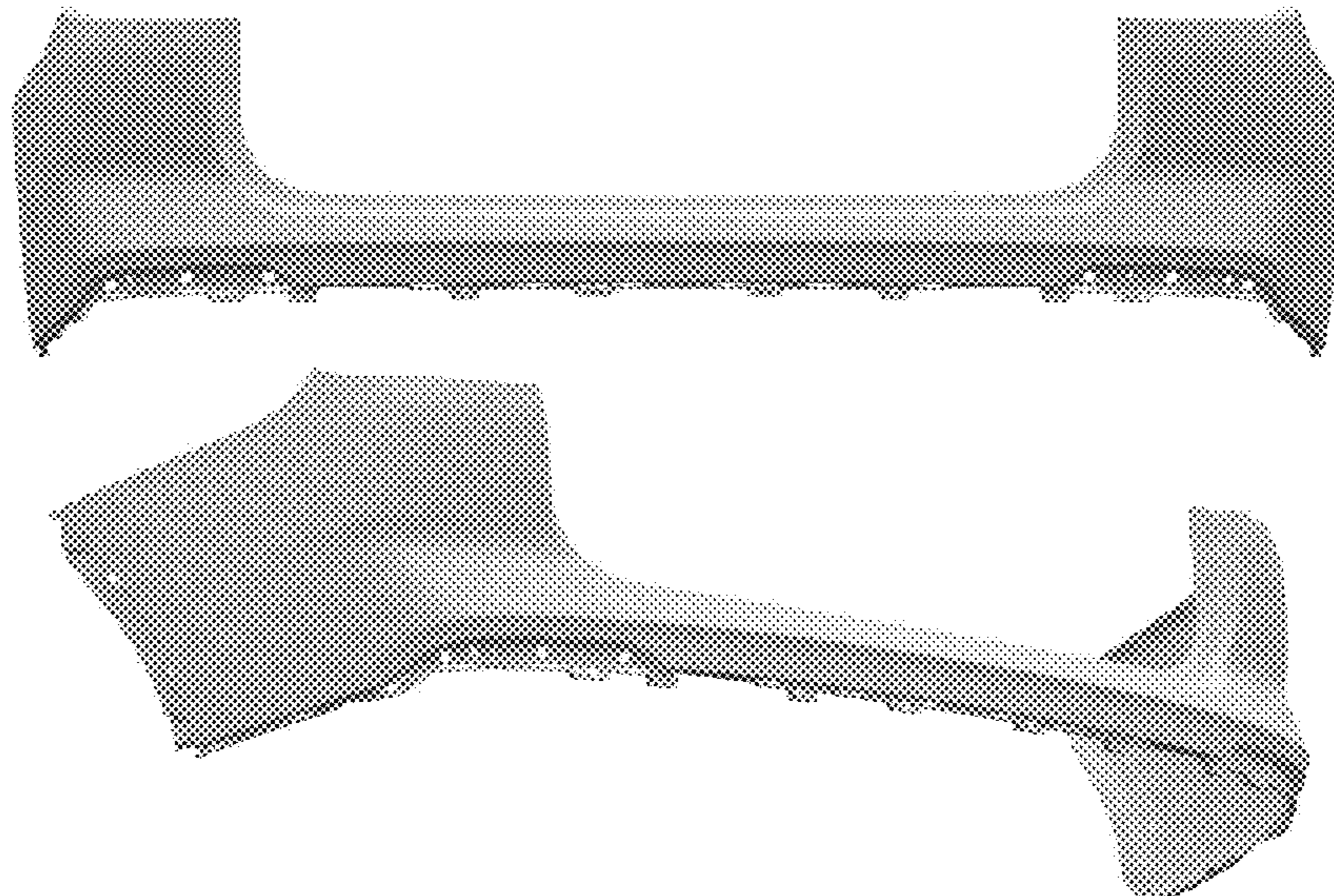
FIG. 5 is a right side view thereof;

FIG. 6 is a top view thereof;

FIG. 7 is a bottom view thereof; and,

FIG. 8 is a rear view thereof.

1 Claim, 8 Drawing Sheets



(56)

References Cited

U.S. PATENT DOCUMENTS

D915,249 S *	4/2021	Bischoff	D12/169
D927,373 S *	8/2021	Lim	D12/169
D931,773 S *	9/2021	Schell	D12/169
D935,360 S *	11/2021	Giumentaro	D12/169

* cited by examiner

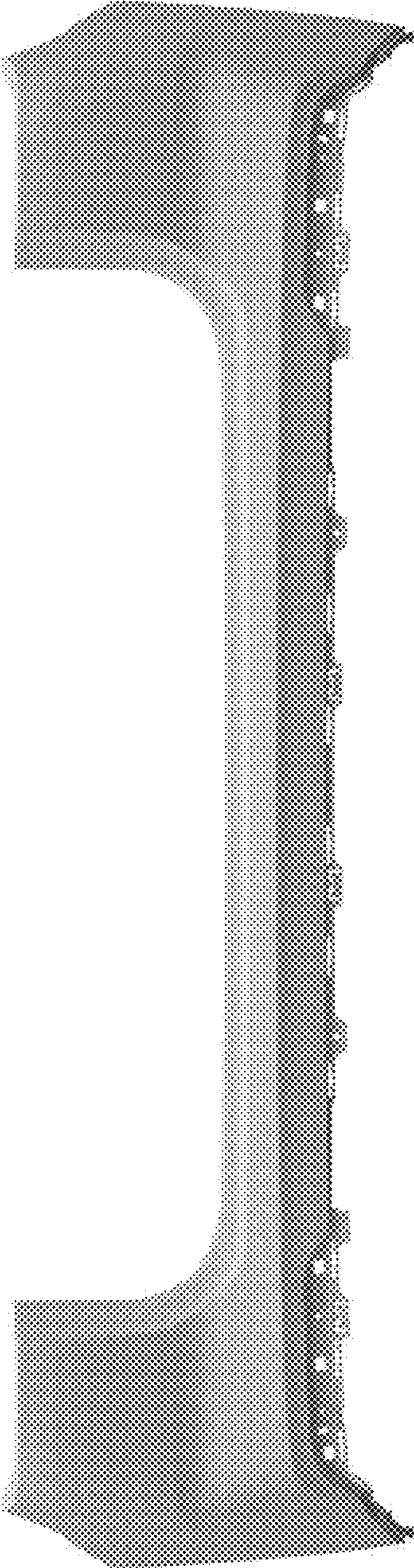


Fig. 1

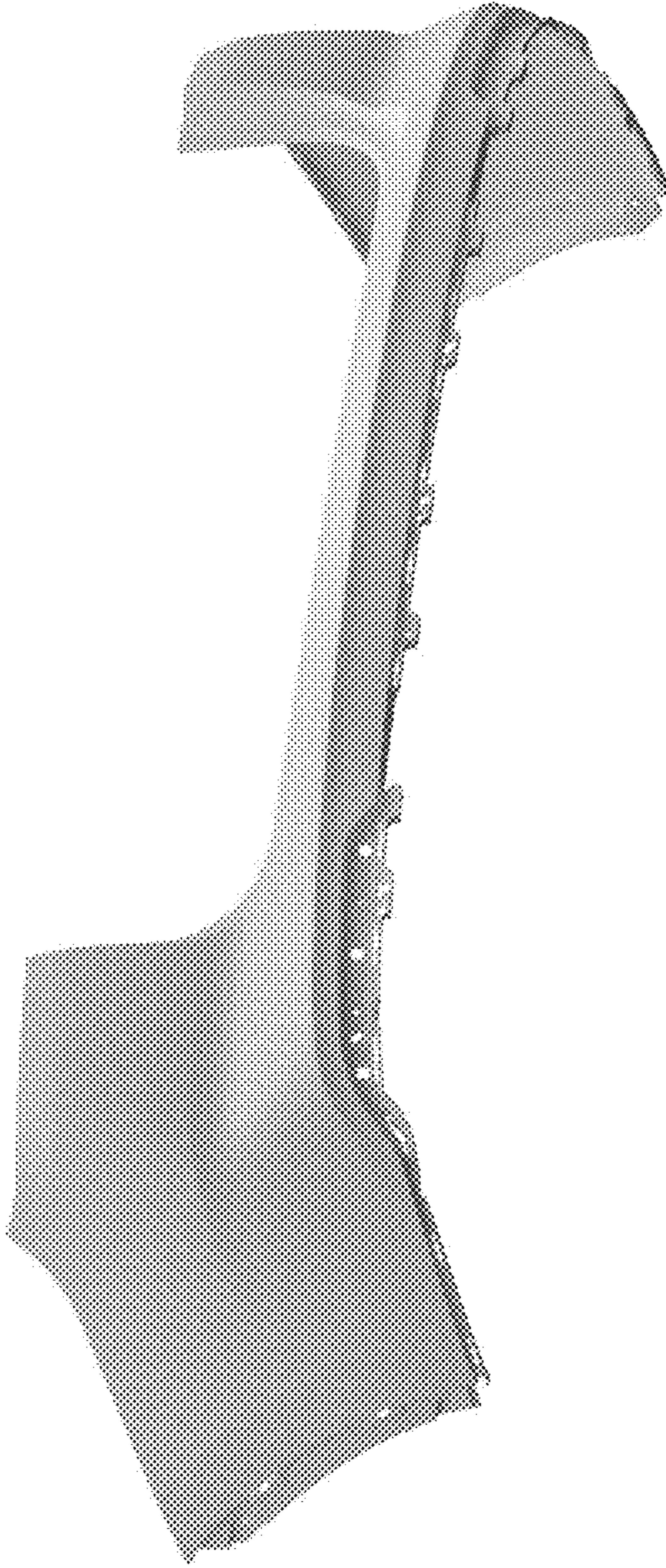


Fig. 2

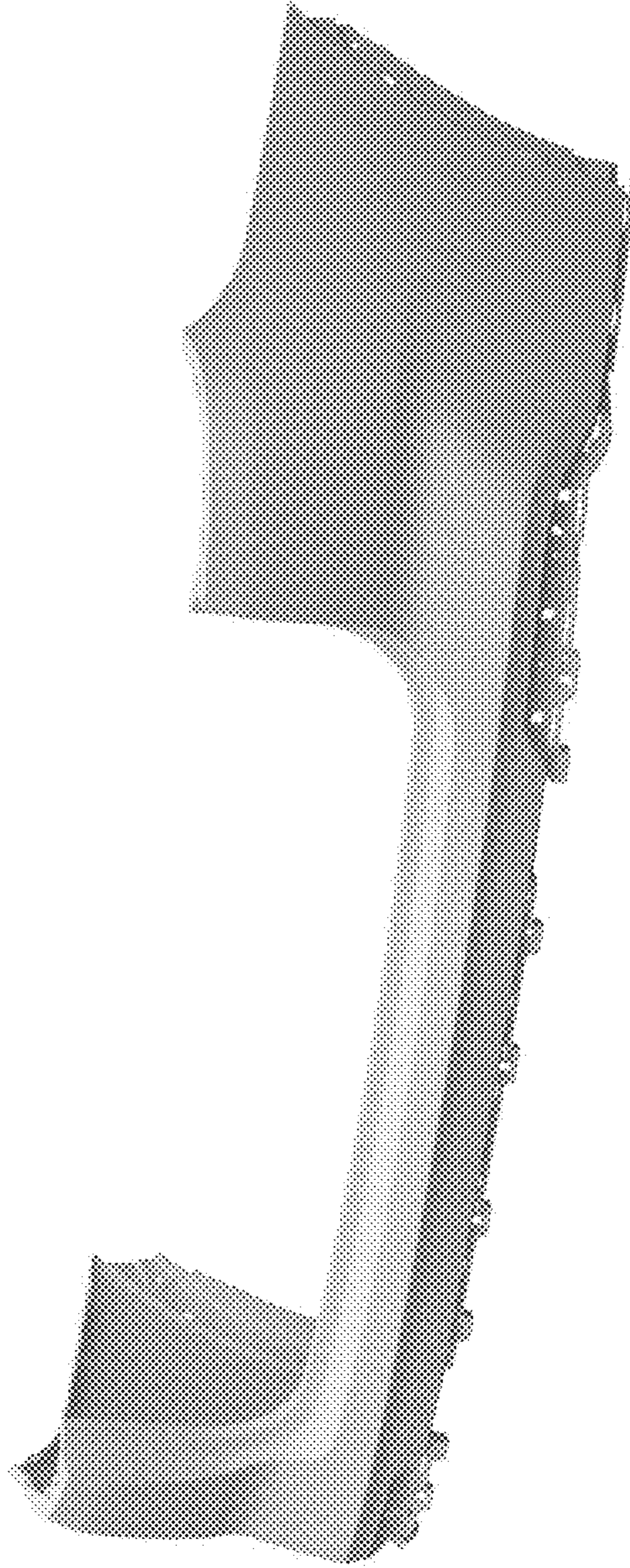


Fig. 3

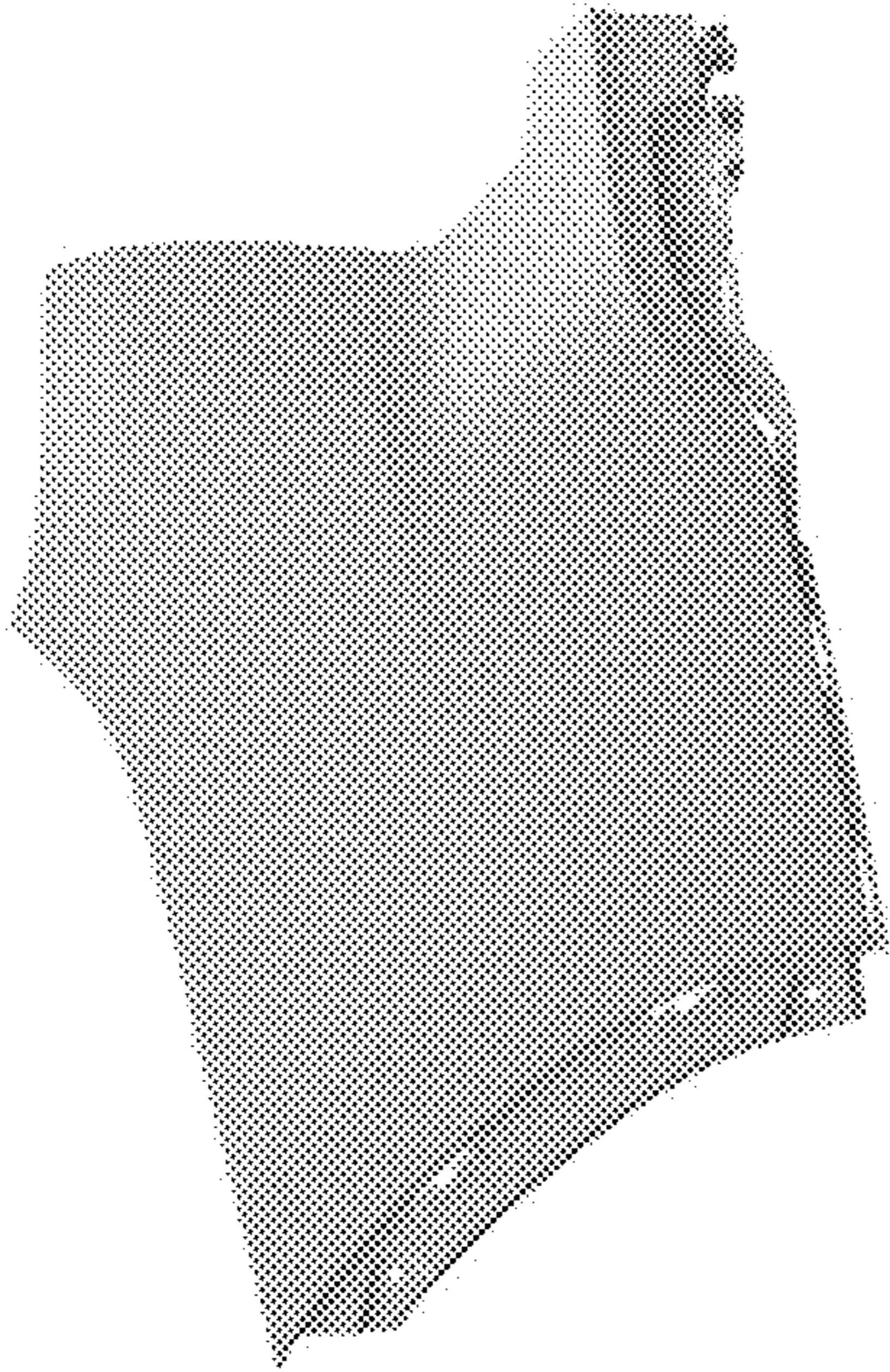


Fig. 4

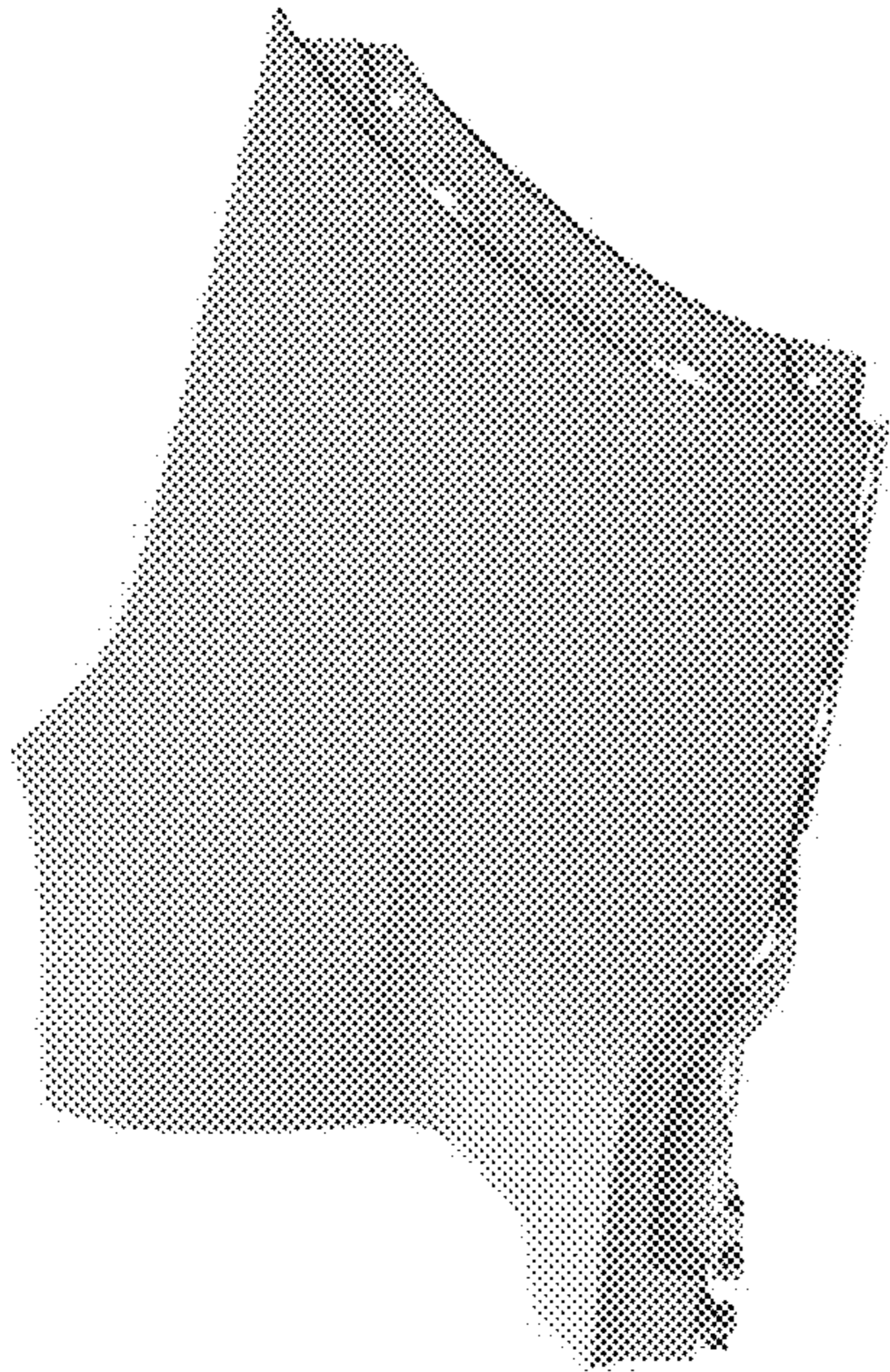


Fig. 5

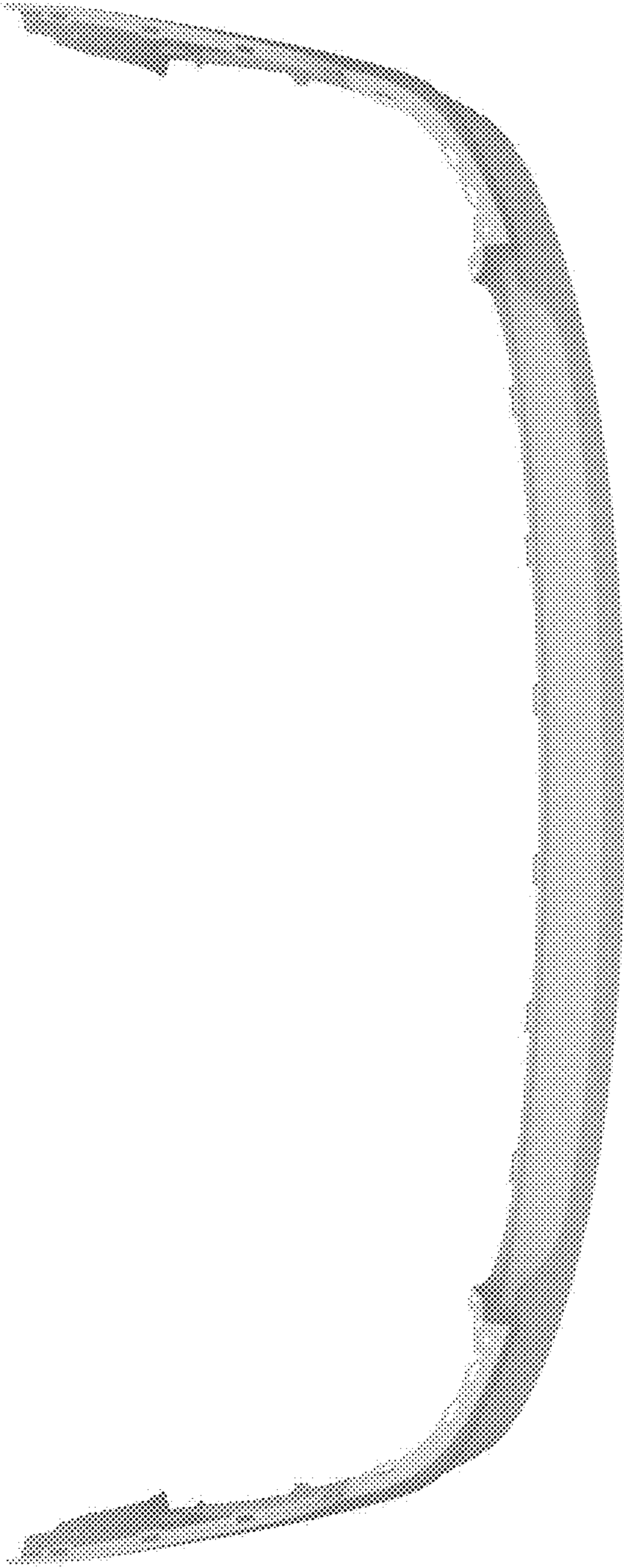


Fig. 6

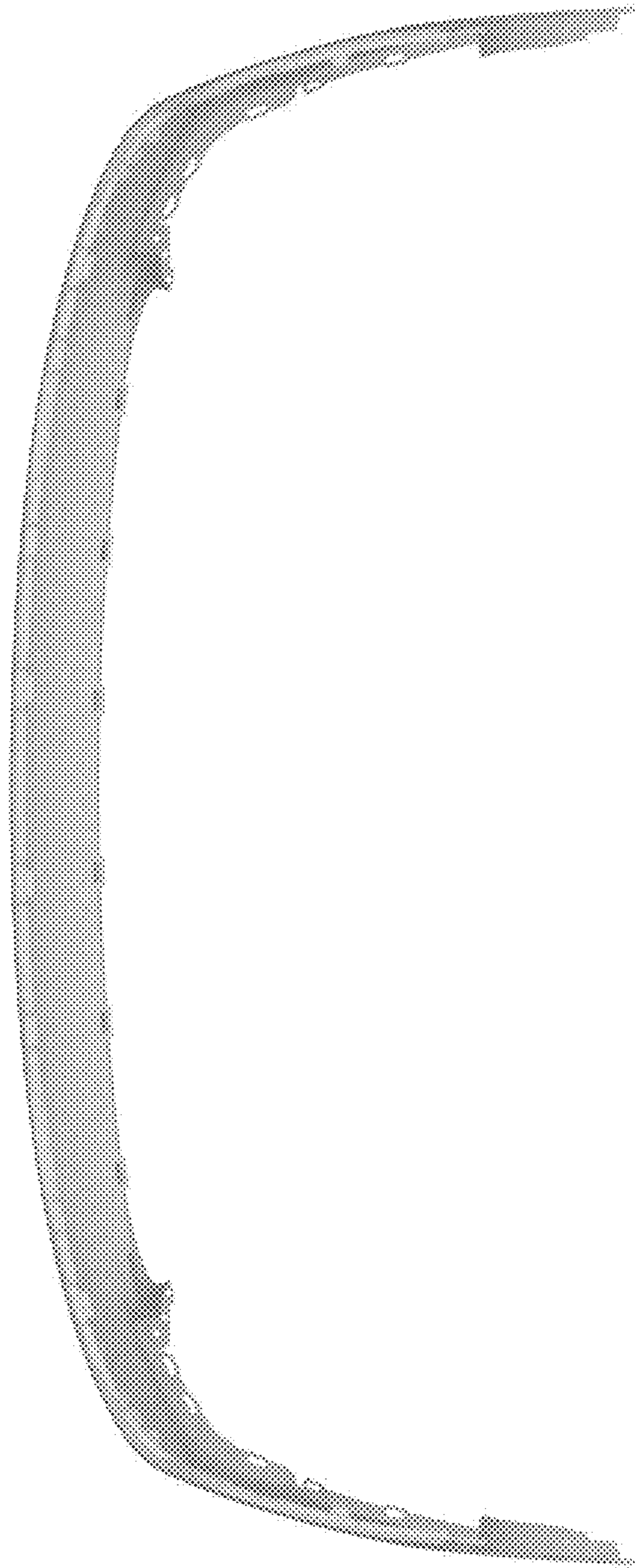


Fig. 7

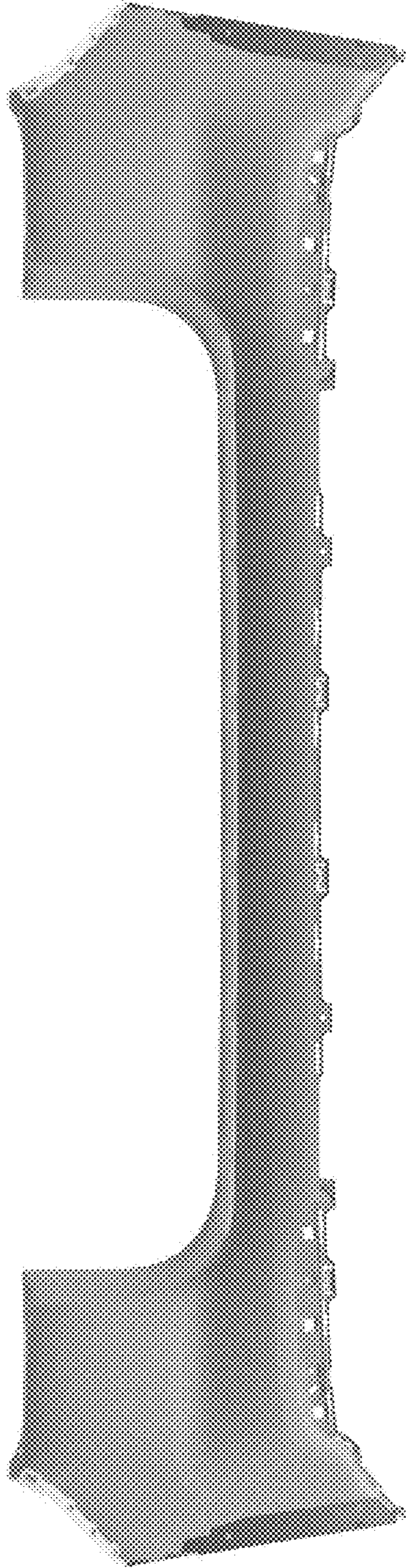


Fig. 8