



US00D974246S

(12) **United States Design Patent**
Tafe

(10) **Patent No.:** **US D974,246 S**

(45) **Date of Patent:** **** Jan. 3, 2023**

(54) **AUTOMOTIVE RADIATOR**

(71) Applicant: **Resource Intl Inc.**, New Castle, DE (US)

(72) Inventor: **Dan Tafe**, Newark, DE (US)

(73) Assignee: **Resource Intl Inc.**, New Castle, DE (US)

(**) Term: **15 Years**

(21) Appl. No.: **29/781,611**

(22) Filed: **Apr. 30, 2021**

(51) **LOC (14) Cl.** **14-02**

(52) **U.S. Cl.**
USPC **D12/166**

(58) **Field of Classification Search**

USPC D12/163, 164, 165, 166, 171, 184, 197,
D12/216; D15/5, 31; D13/179

CPC F28F 9/001; F28D 1/0435; F28D 1/05366

See application file for complete search history.

(56) **References Cited**

U.S. PATENT DOCUMENTS

D890,643 S *	7/2020	Tafe	F28F 9/0224
				D12/166
D913,335 S *	3/2021	Wettig	F28D 1/0435
				D15/5
D921,043 S *	6/2021	Tafe	D15/5
2007/0089855 A1 *	4/2007	Heine	F28D 1/0435
				165/140
2009/0294111 A1 *	12/2009	Larouche	F28D 1/05366
				165/173
2020/0064084 A1 *	2/2020	Tian	F28F 9/0224
2020/0400389 A1 *	12/2020	Harris	F28D 1/05366

OTHER PUBLICATIONS

Amazon, Mishimoto MMRAD-E36-92 Performance Aluminum Radiator Compatible With BMW, published Feb. 1, 2006 [retrieved Sep. 19, 2022]. Retrieved from the internet<Amazon.com: Mishimoto

MMRAD-E36-92 Performance Aluminum Radiator Compatible With BMW E36 3-Series 1992-1999> (Year: 2006).*

Ebay, Radiator for 2014 2018 Jeep Cherokee 2015 2016 2017 Chrysler 200, published Sep. 21, 2022 [retrieved on Sep. 21, 2022]. Retrieved from the internet<https://www.ebay.com/itm/401982924160> (Year: 2022).*

* cited by examiner

Primary Examiner — Joseph Kukella

Assistant Examiner — Lavon M. Amerson

(74) *Attorney, Agent, or Firm* — Condo Roccia Koptiw LLP

(57) **CLAIM**

The ornamental design for an automotive radiator, as shown and described.

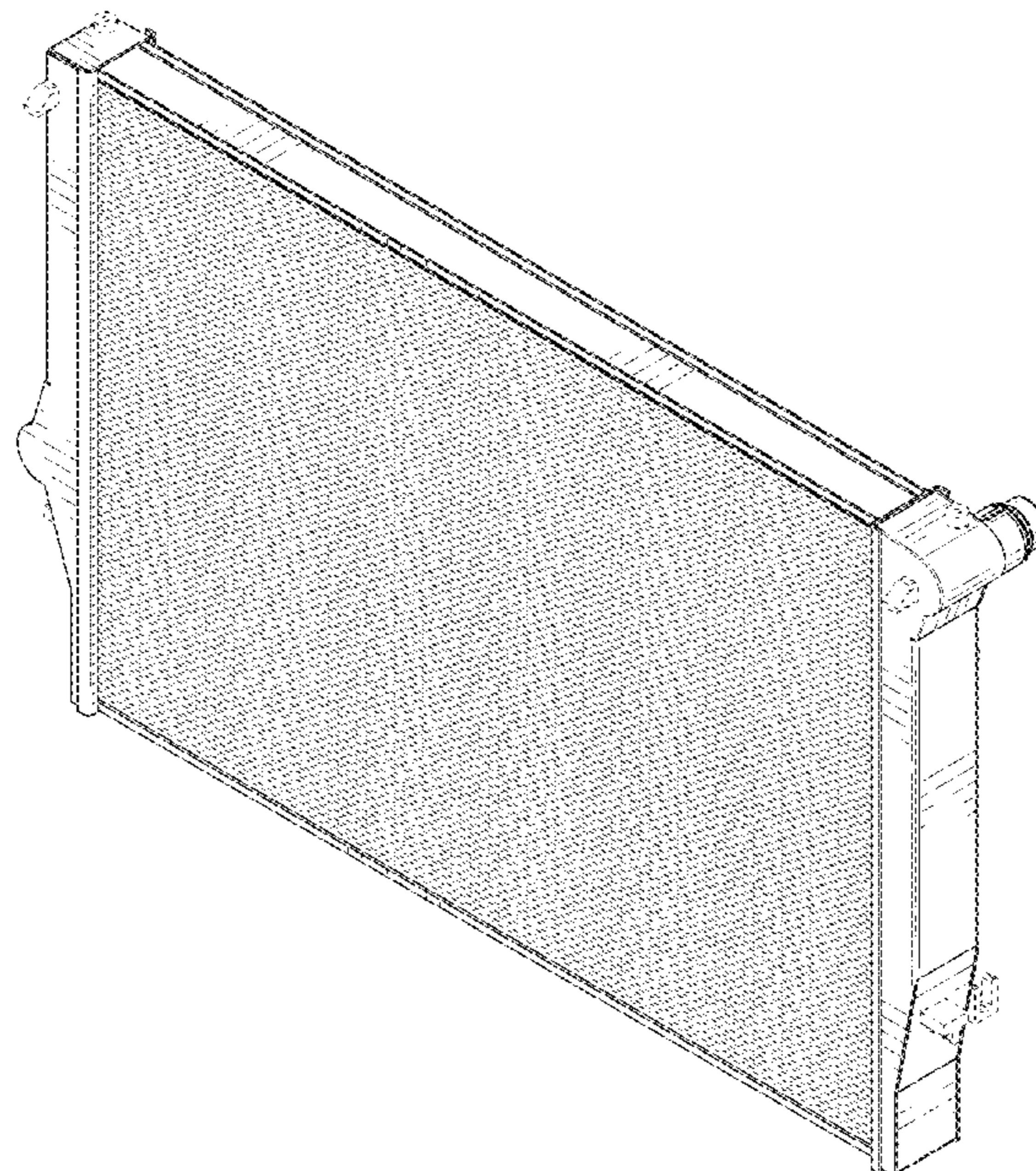
DESCRIPTION

FIG. 1 is a perspective view of the automotive radiator according to the present application; FIG. 2 is a front view of FIG. 1; FIG. 3 is a rear view of FIG. 1; FIG. 4 is a side view of FIG. 1; FIG. 5 is a side view of FIG. 1; FIG. 6 is a top view of FIG. 1; and, FIG. 7 is a bottom view of FIG. 1.

The broken line showing is included for the purpose of illustrating unclaimed subject matter and forms no part of the claimed design.

The shade line showing is included for the purpose of illustrating contour and not surface ornamentation.

1 Claim, 5 Drawing Sheets



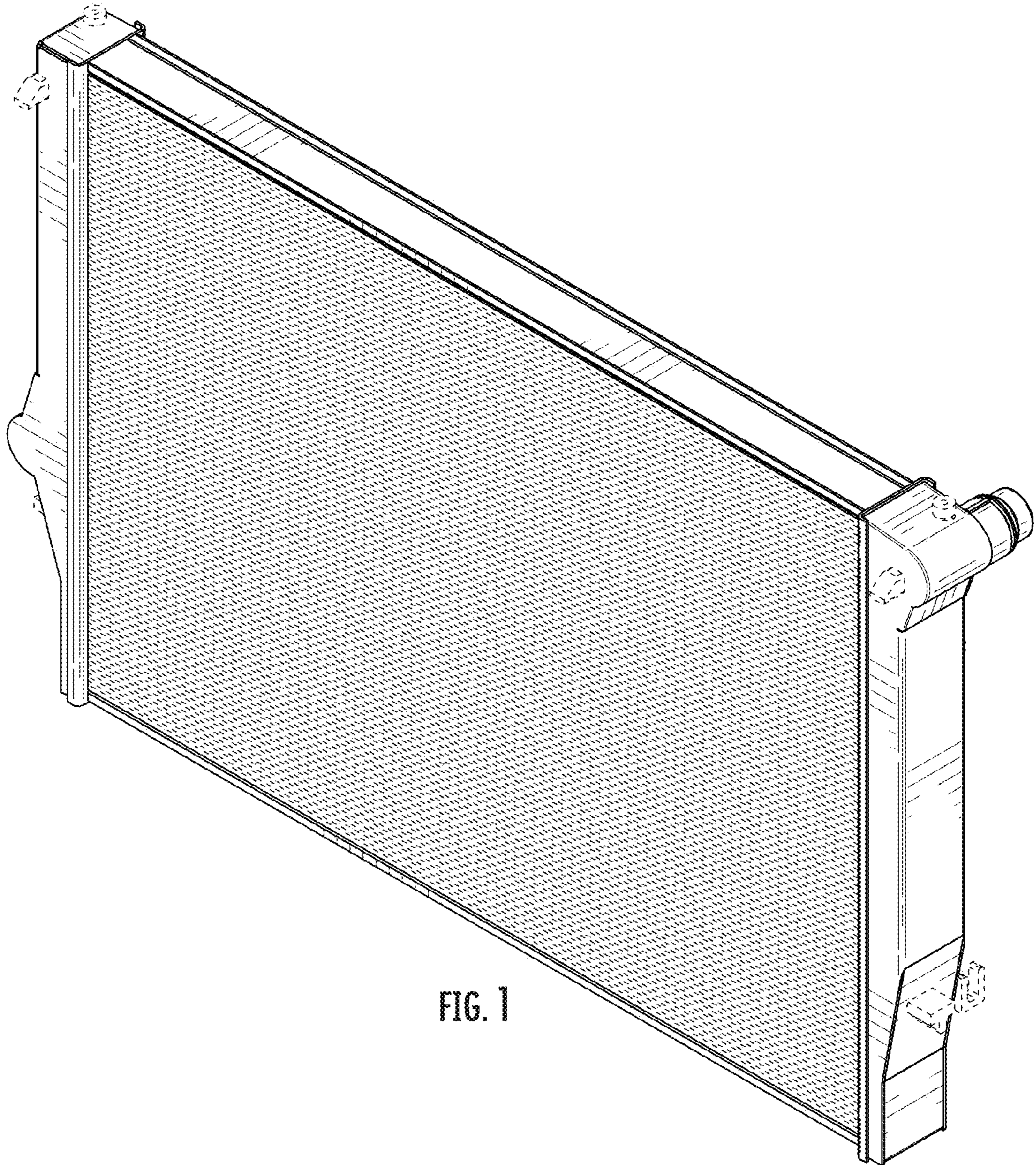


FIG. 1

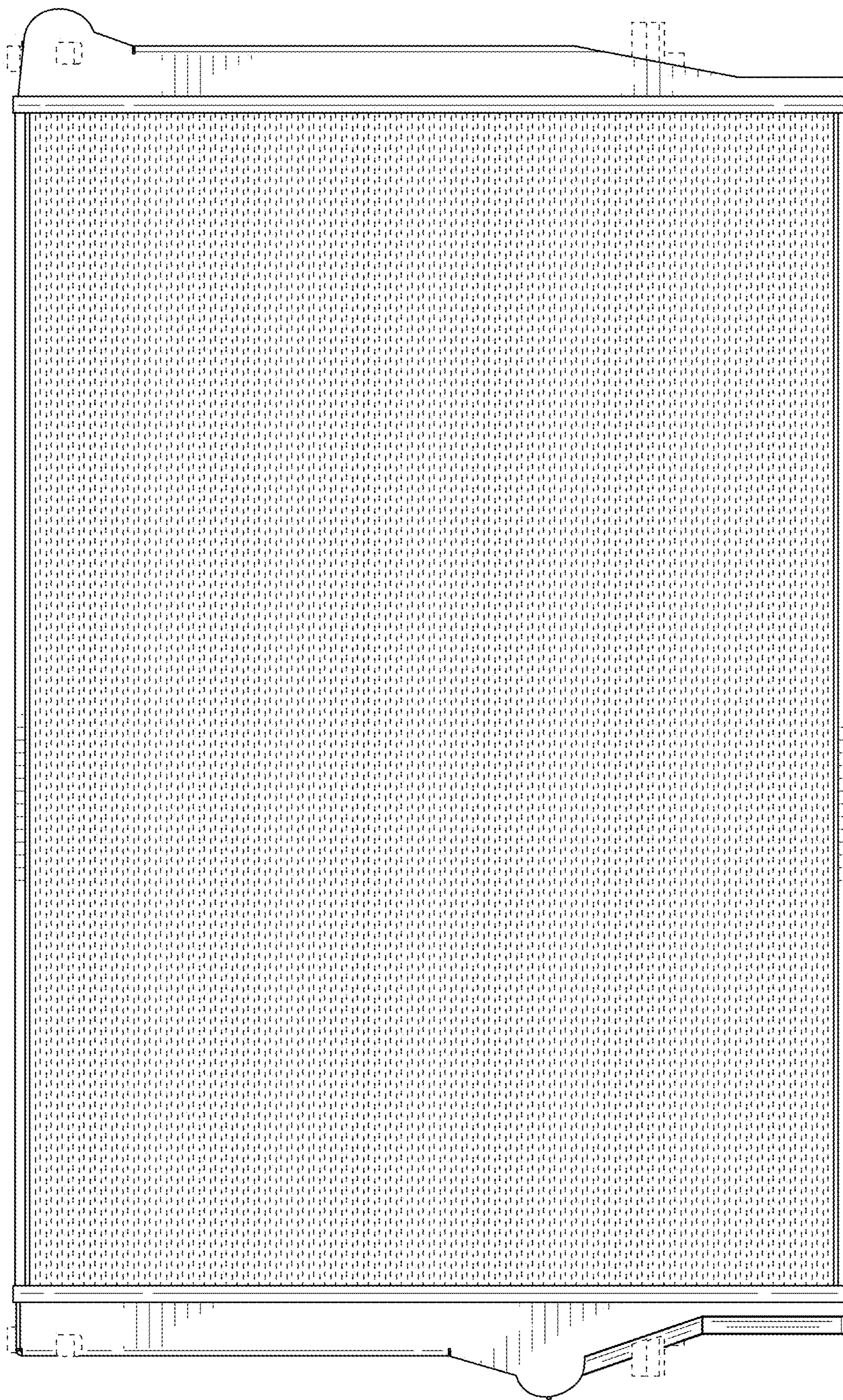


FIG. 2

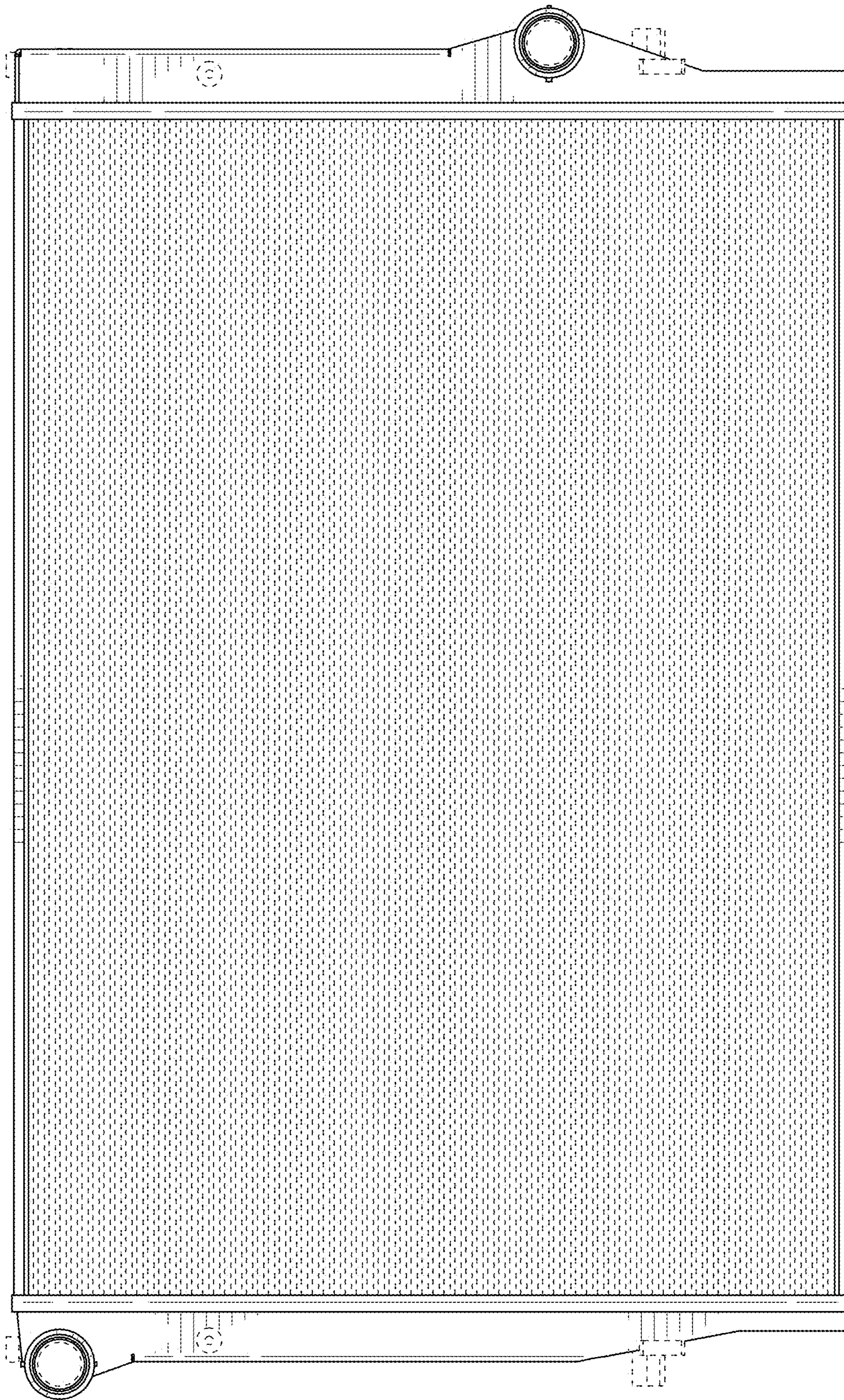


FIG. 3

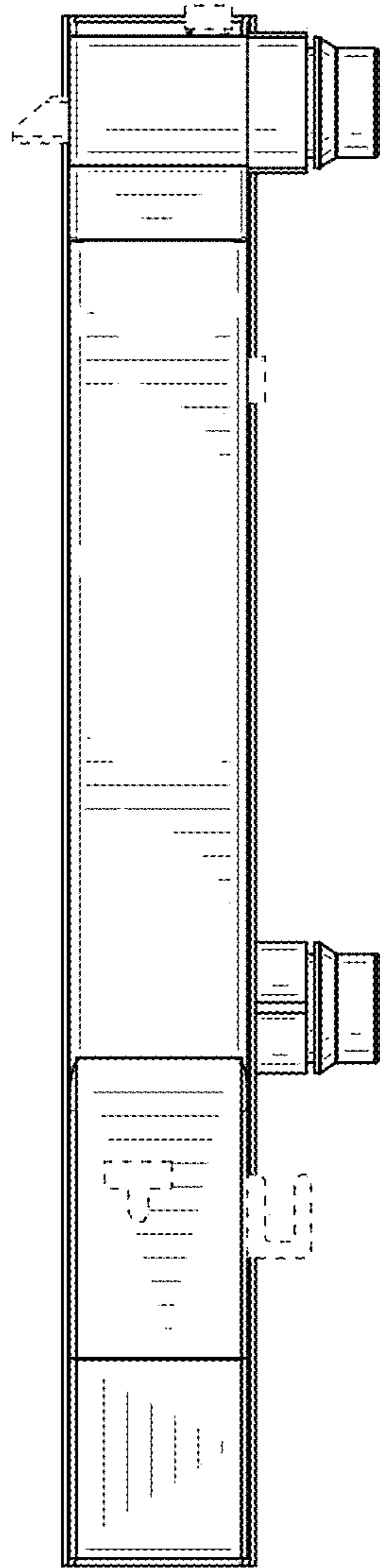


FIG. 4

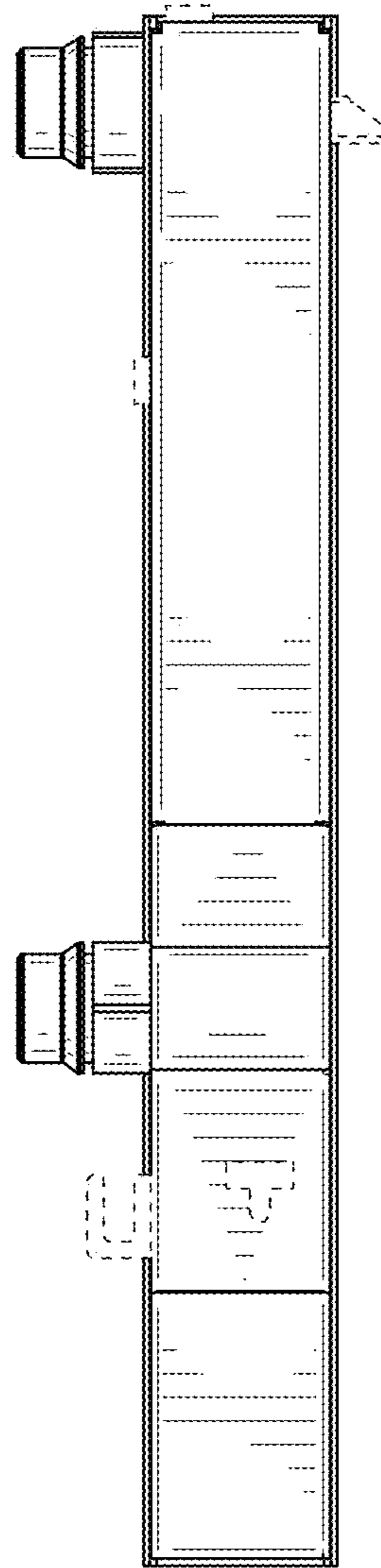


FIG. 5



FIG. 6

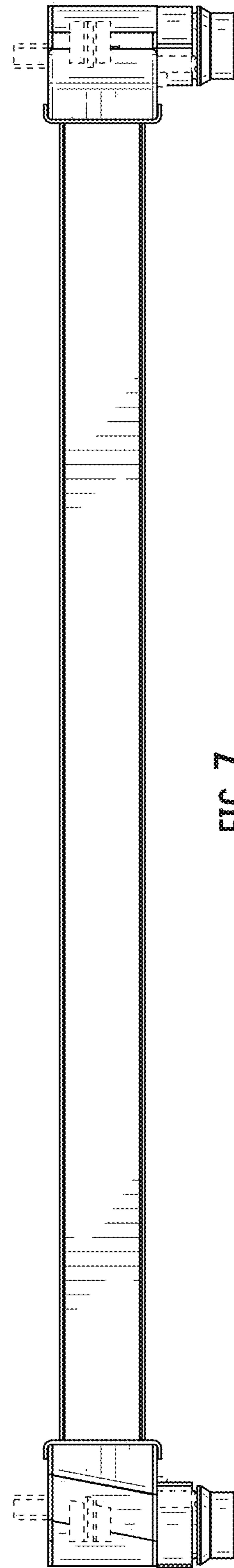


FIG. 7