

US00D974245S

(12) **United States Design Patent** (10) **Patent No.:** **US D974,245 S**  
**Liu** (45) **Date of Patent:** **\*\* Jan. 3, 2023**

- (54) **RADIATOR FOR AUTOMOTIVE APPLICATIONS**
- (71) Applicant: **Resource Intl Inc.**, New Castle, DE (US)
- (72) Inventor: **Ye Liu**, New Castle, DE (US)
- (73) Assignee: **Resource Intl Inc.**, New Castle, DE (US)
- (\*\*) Term: **15 Years**
- (21) Appl. No.: **29/652,925**
- (22) Filed: **Jan. 12, 2021**
- (51) **LOC (14) Cl.** ..... **12-16**
- (52) **U.S. Cl.**  
USPC ..... **D12/166**
- (58) **Field of Classification Search**  
USPC ..... D12/164–166  
CPC ..... F28F 9/001; F28D 1/05366; F28D 1/0435  
See application file for complete search history.

D940,013 S *	1/2022	Wettig	.....	D12/166
D958,946 S *	7/2022	Huan	.....	D23/323
2012/0080173 A1 *	4/2012	Koberstein	.....	F28D 1/05391
				165/173
2013/0299132 A1 *	11/2013	Guilford	.....	F28F 9/0131
				29/890.03

**OTHER PUBLICATIONS**

“DNA Motoring OEM Aluminum Radiator” DNA Motoring., posted date Aug. 30, 2019 [online], [retrieved on Sep. 26, 2022]. Retrieved from the Internet <URL: <https://www.amazon.com/DNA-MOTORING-OEM-RA-1690-Aluminum-Replacement/dp/B07X6CFYZ?th=1>> (Year: 2019).\*

(Continued)

*Primary Examiner* — Darlington Ly  
*Assistant Examiner* — Nasim Abdulaziz Ali  
(74) *Attorney, Agent, or Firm* — Condo Roccia Koptiw LLP

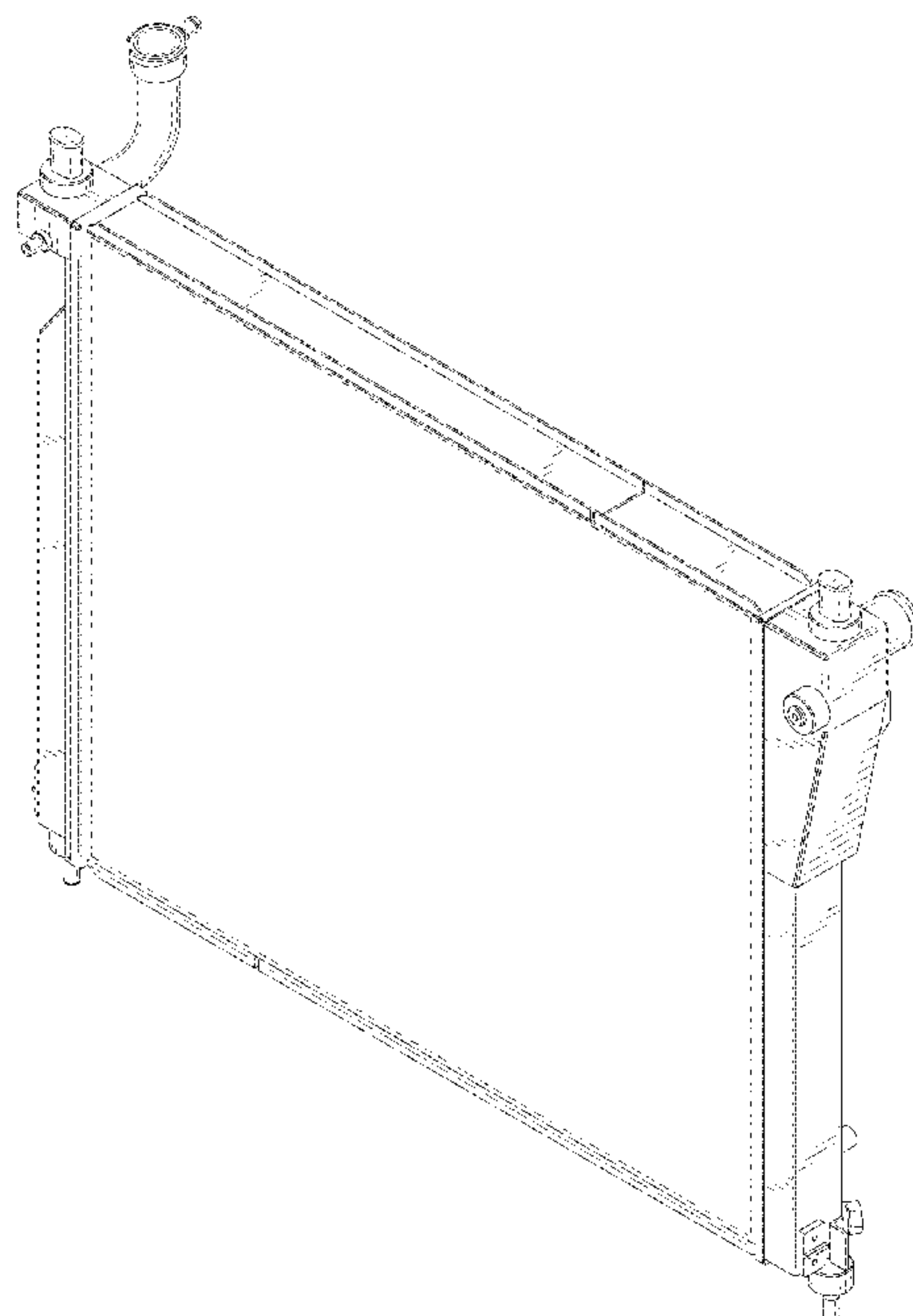
(57) **CLAIM**  
The ornamental design for a radiator for automotive applications, as shown and described.

**DESCRIPTION**

FIG. 1 is a top front perspective view of the radiator for automotive applications showing my new design;  
FIG. 2 is a front elevation view thereof;  
FIG. 3 is a rear elevation view thereof;  
FIG. 4 is a right-side elevation view thereof;  
FIG. 5 is a left-side elevation view thereof;  
FIG. 6 is a top plan view thereof; and,  
FIG. 7 is a bottom plan view thereof.  
The broken lines shown in the drawings illustrate portions of the radiator for automotive applications that form no part of the claimed design.

**1 Claim, 5 Drawing Sheets**

- (56) **References Cited**  
U.S. PATENT DOCUMENTS
- |              |         |            |       |         |
|--------------|---------|------------|-------|---------|
| D719,649 S * | 12/2014 | Ainley     | ..... | D23/323 |
| D802,492 S * | 11/2017 | Pruitt     | ..... | D12/166 |
| D802,493 S * | 11/2017 | Pruitt     | ..... | D12/166 |
| D827,795 S * | 9/2018  | Junfeng    | ..... | D23/323 |
| D842,974 S * | 3/2019  | Szolony    | ..... | D23/323 |
| D890,642 S * | 7/2020  | Wettig     | ..... | D12/166 |
| D890,643 S * | 7/2020  | Tate       | ..... | D12/166 |
| D891,318 S * | 7/2020  | Platt, Jr. | ..... | D15/5   |
| D900,161 S * | 10/2020 | Tafe       | ..... | D15/5   |
| D905,115 S * | 12/2020 | Tafe       | ..... | D15/5   |
| D905,116 S * | 12/2020 | Liu        | ..... | D15/5   |
| D911,226 S * | 2/2021  | Tafe       | ..... | D12/166 |
| D912,701 S * | 3/2021  | Tafe       | ..... | D15/5   |



(56)

**References Cited**

OTHER PUBLICATIONS

“Radiator for Dodge Ram” TRQ., posted date Nov. 16, 2017 [online], [retrieved on Sep. 26, 2022]. Retrieved from the Internet <URL: <https://www.amazon.com/Radiator-Dodge-1500-Pickup-Truck/dp/B077J8G4JN>> (Year: 2017).\*

“ALLOYWORKS 3 Row All Aluminum Radiator” ALLOYWORKS., posted date Oct. 20, 2016 [online], [retrieved on Sep. 26, 2022]. Retrieved from the Internet <URL: <https://www.amazon.com/ALLOYWORKS-Aluminum-Radiator-2003-2007-Chassis/dp/B077XNCZ71?th=1>> (Year: 2016).\*

\* cited by examiner

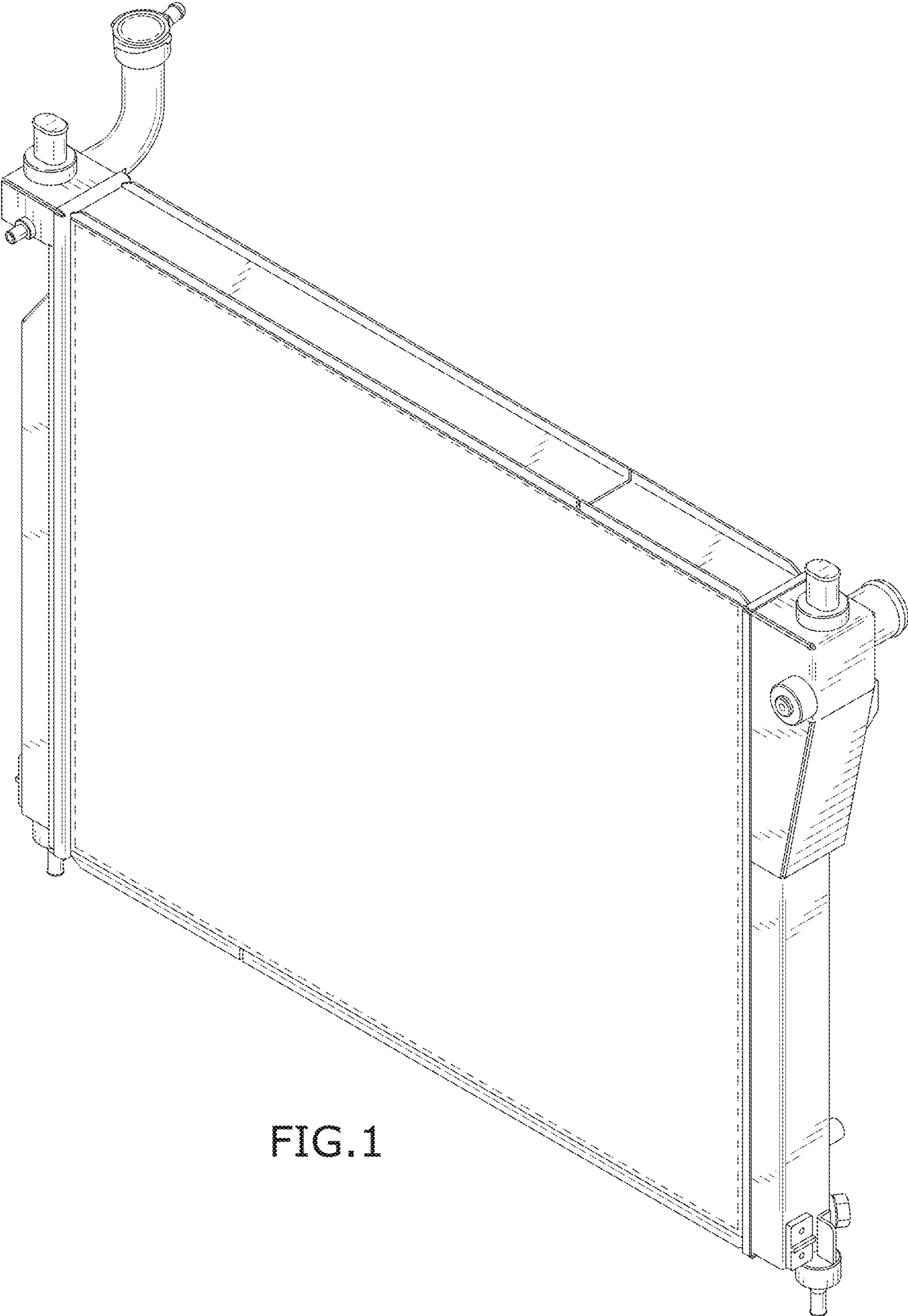


FIG. 1

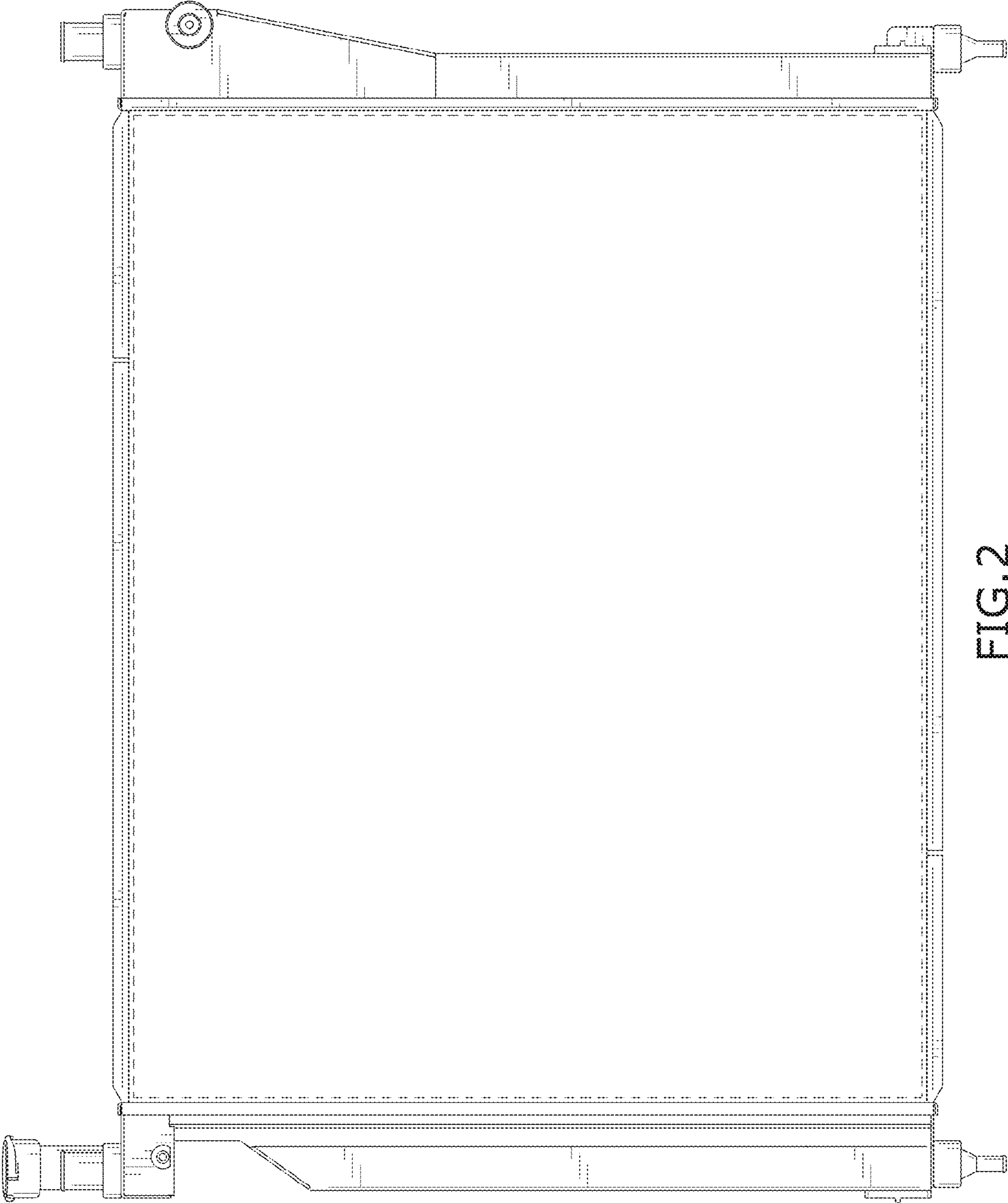


FIG. 2

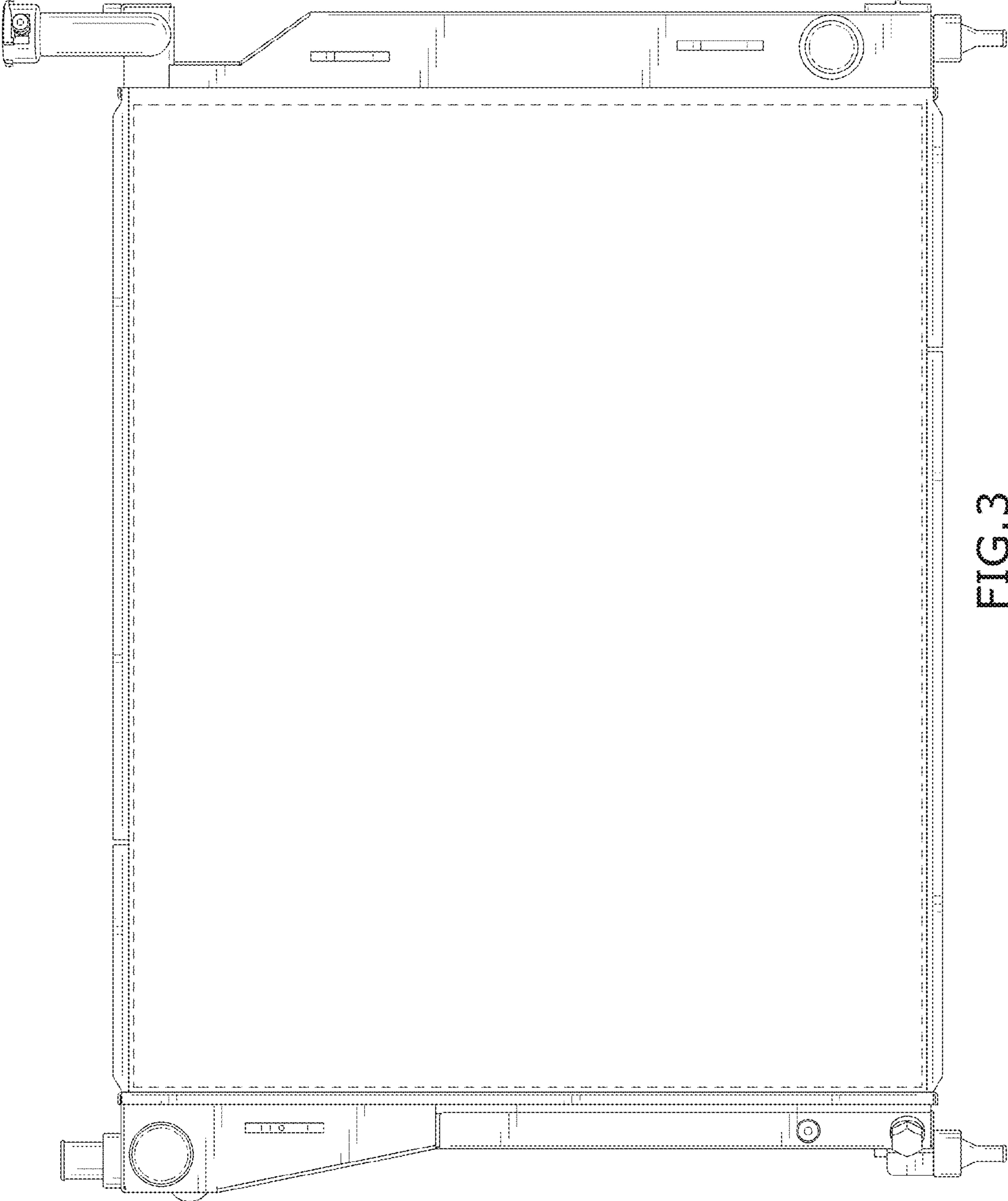


FIG. 3



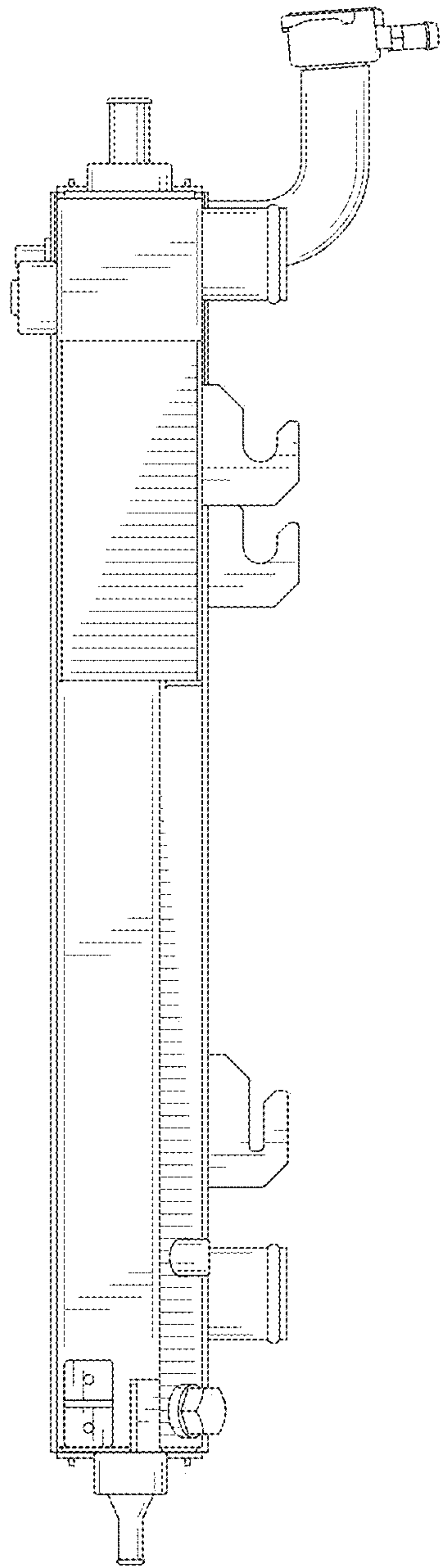


FIG. 4

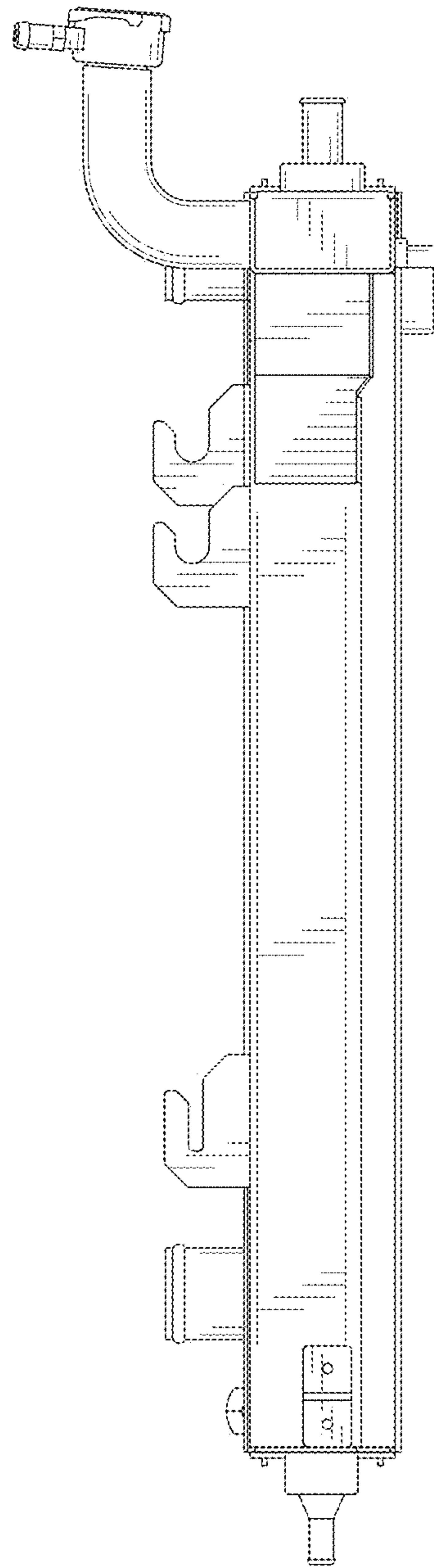


FIG. 5

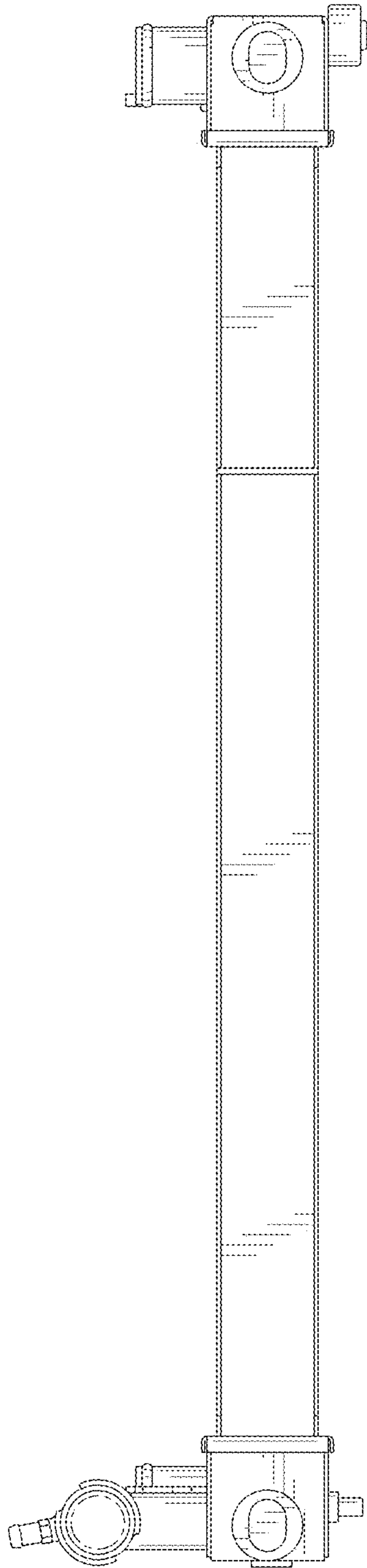


FIG. 6

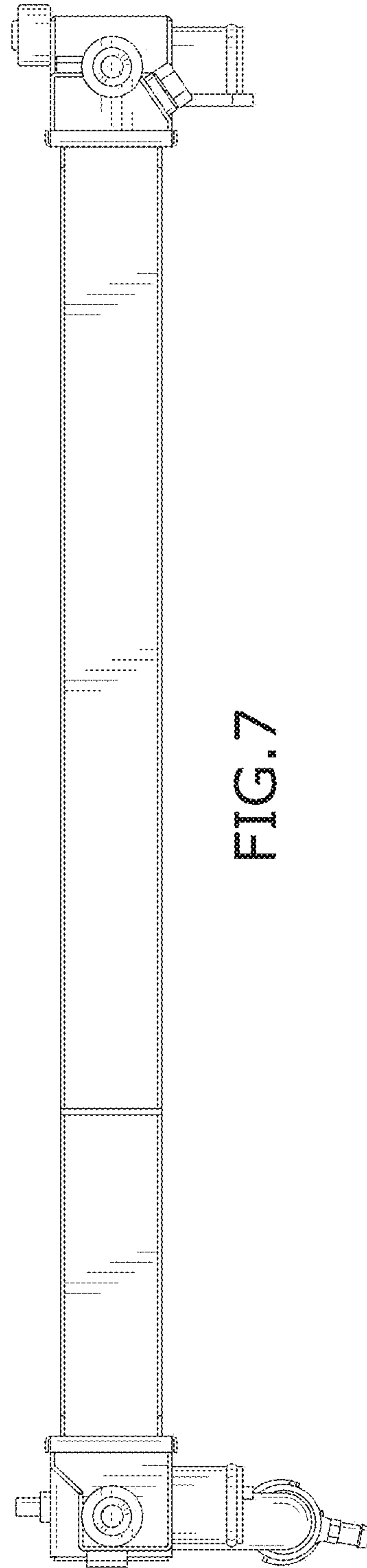


FIG. 7