



US00D974241S

(12) **United States Design Patent**  
**Wei**

(10) **Patent No.:** **US D974,241 S**  
(45) **Date of Patent:** **\*\* Jan. 3, 2023**

(54) **FOLDING WALKER**

FOREIGN PATENT DOCUMENTS

(71) Applicant: **MAILI CREATION TECHNOLOGY (SHENZHEN) CO., LTD.**, Shenzhen (CN)

GB 6152375 \* 8/2021  
JP D1411066 \* 4/2011

(72) Inventor: **Jianying Wei**, Guangzhou (CN)

OTHER PUBLICATIONS

(73) Assignee: **MAILI CREATION TECHNOLOGY (SHENZHEN) CO., LTD.**, Shenzhen (CN)

Amazon.com, Site visited Jul. 21, 2022, Liucy Walker with Seat and Arm Support, First available Aug. 14, 2020, <https://www.amazon.com/Walkers-Seniors-Adjustable-Lightweight-Multi-Functional/dp/B08FXB9CLK> (Year: 2020).\*

(Continued)

(\*\*) Term: **15 Years**

*Primary Examiner* — Brett Miller  
*Assistant Examiner* — Jessica M Gebhart

(21) Appl. No.: **29/813,485**

(57) **CLAIM**

(22) Filed: **Oct. 29, 2021**

The ornamental design for a folding walker, as shown and described.

(51) **LOC (14) Cl.** ..... **12-12**

**DESCRIPTION**

(52) **U.S. Cl.**  
USPC ..... **D12/130; D3/9**

(58) **Field of Classification Search**  
USPC ..... D3/5, 6, 7, 8, 9, 10, 11, 12, 13, 14, 15, D3/16, 17; D12/128–133  
CPC .... A45B 9/00; A45B 9/04; A61H 3/02; A61H 3/00; A61H 3/04  
See application file for complete search history.

FIG. 1 is a perspective view of a folding walker showing my new design;  
FIG. 2 is another perspective view thereof;  
FIG. 3 is a front elevational view thereof;  
FIG. 4 is a rear elevational view thereof;  
FIG. 5 is a left side elevational view thereof;  
FIG. 6 is a right side elevational view thereof;  
FIG. 7 is a top plan view thereof;  
FIG. 8 is a bottom plan view thereof.  
FIG. 9 is an enlarged view of portion 9 shown in FIG. 1;  
FIG. 10 is an enlarged view of portion 10 shown in FIG. 1;  
FIG. 11 is an enlarged view of portion 11 shown in FIG. 1;  
FIG. 12 is an enlarged view of portion 12 shown in FIG. 7;  
and,  
FIG. 13 is an enlarged view of portion 13 shown in FIG. 7.  
The dash-dash broken lines in the drawings depict portions of the folding walker that form no part of the claimed design.  
The dot-dash broken lines represent boundaries of the enlarged portions and form no part of the claimed design.

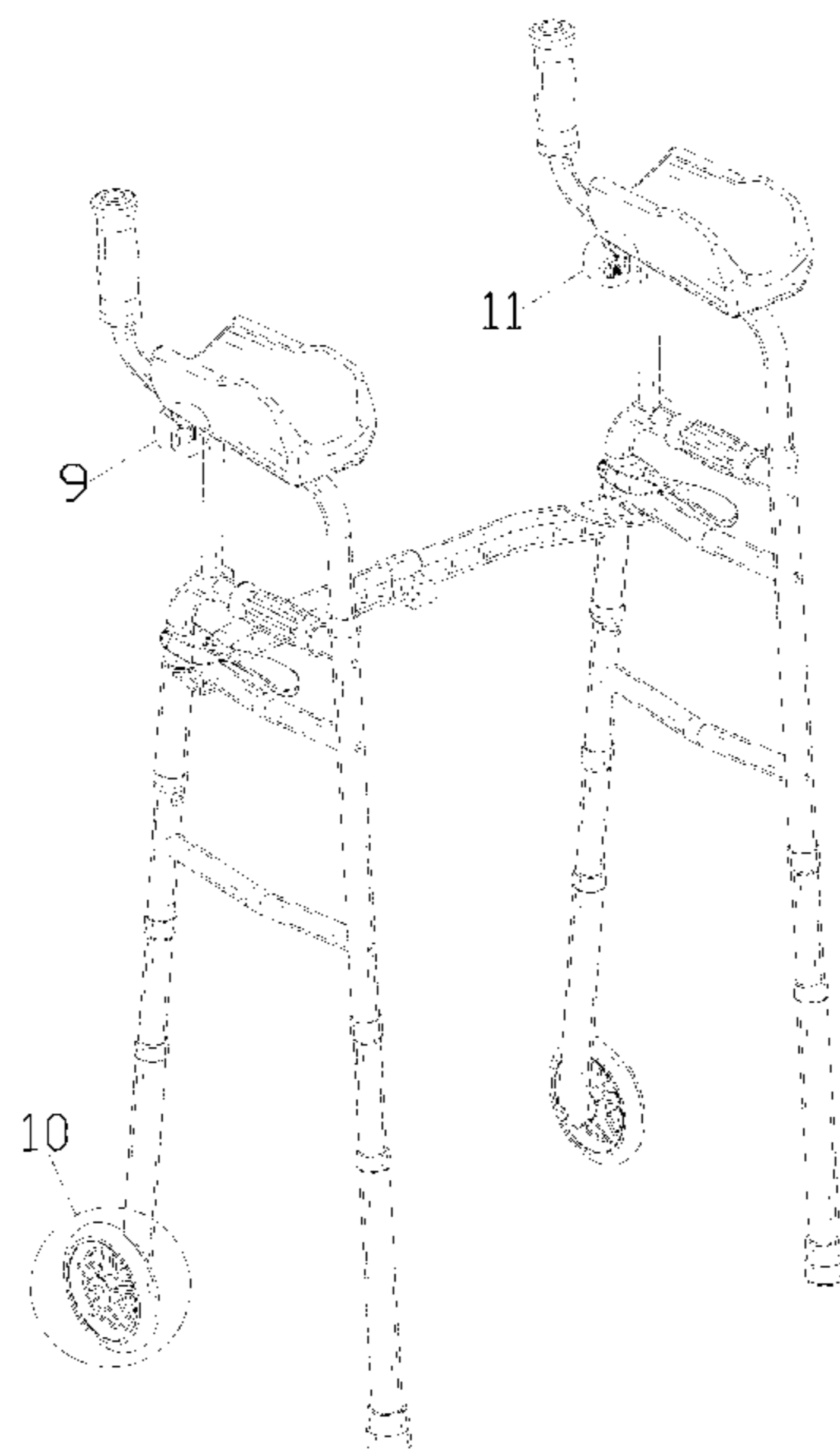
(56) **References Cited**

U.S. PATENT DOCUMENTS

D326,250 S \* 5/1992 Oliver ..... D12/130  
D475,323 S 6/2003 Hallgrimsson  
D479,164 S 9/2003 Wu  
7,111,856 B1 \* 9/2006 Graham ..... A61G 5/125  
280/304.5  
9,566,207 B1 \* 2/2017 Ratliff ..... A61H 3/04  
9,833,377 B2 \* 12/2017 Smed ..... A61H 3/04  
D814,363 S \* 4/2018 VanAusdall ..... D12/130

(Continued)

**1 Claim, 13 Drawing Sheets**



(56)

**References Cited**

U.S. PATENT DOCUMENTS

D858,366 S \* 9/2019 VanAusdall ..... D12/130  
10,639,226 B1 \* 5/2020 Keyes ..... A61H 3/04  
10,864,132 B1 \* 12/2020 Bingham ..... A61H 3/00  
2005/0005959 A1 \* 1/2005 Diamond ..... A61H 3/00  
135/67  
2017/0151121 A1 \* 6/2017 Smed ..... A61H 3/04  
2020/0155408 A1 \* 5/2020 Fathi ..... A61H 1/00

OTHER PUBLICATIONS

Amazon.com, Site visited Jul. 21, 2022, OasisSpace Walker with Removable Armrests, First available Apr. 26, 2021, <https://www.amazon.com/OasisSpace-Narrow-Folding-Walker-Seniors/dp/B093GG9RBF> (Year: 2021).\*

Amazon.com, Site visited Jul. 21, 2022, GreenChief Folding Walker with Armrest, First available Aug. 9, 2021, <https://www.amazon.com/dp/B09C5SHPRN> (Year: 2021).\*

Amazon.com, Site visited Jul. 21, 2022, Medline Upright walker with Armrests, First available Oct. 11, 2021, <https://www.amazon.com/Medline-Upright-Armrests-Adjustable-Capacity/dp/B09FVK5CBB> (Year: 2021).\*

\* cited by examiner

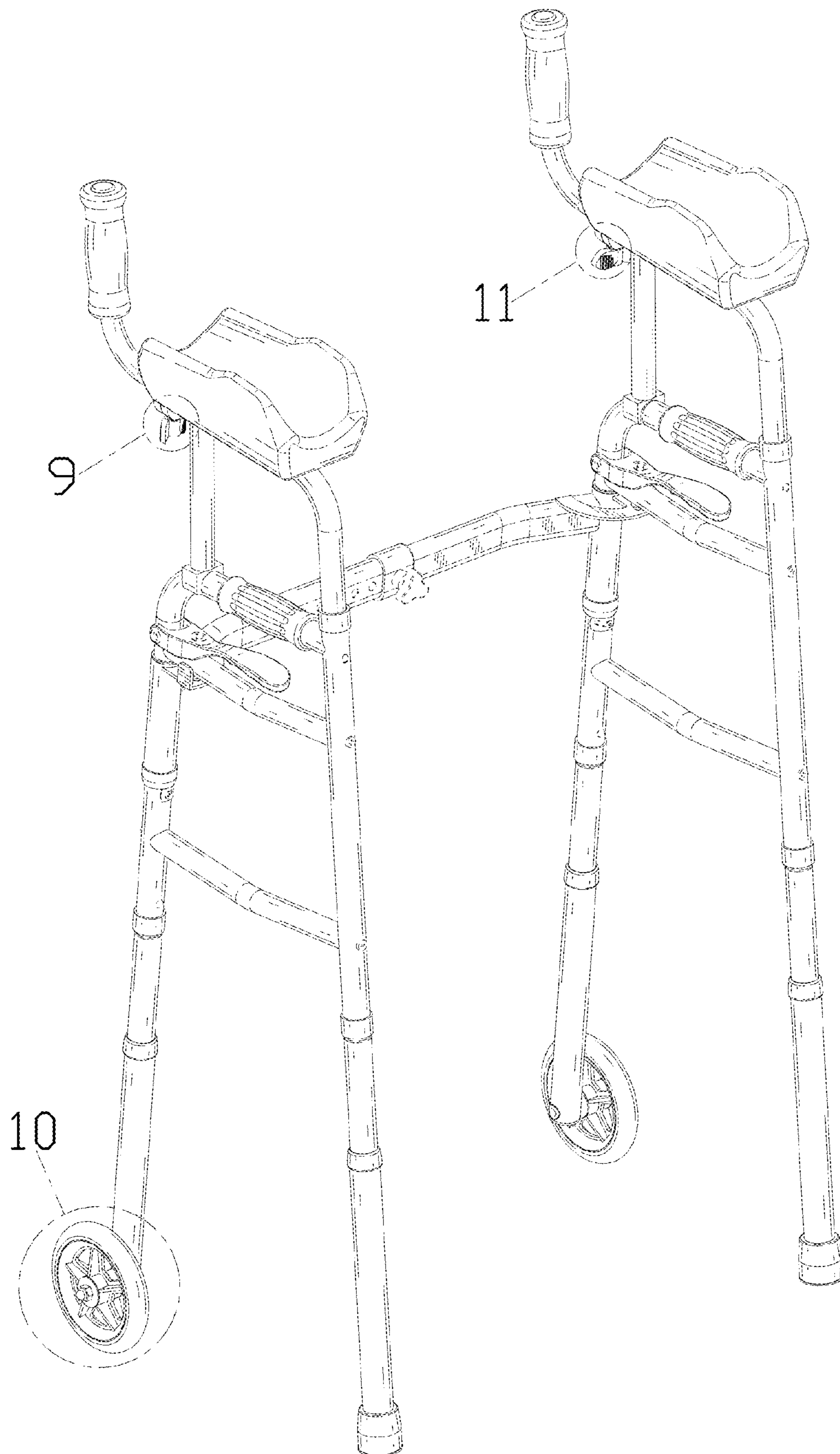


FIG. 1

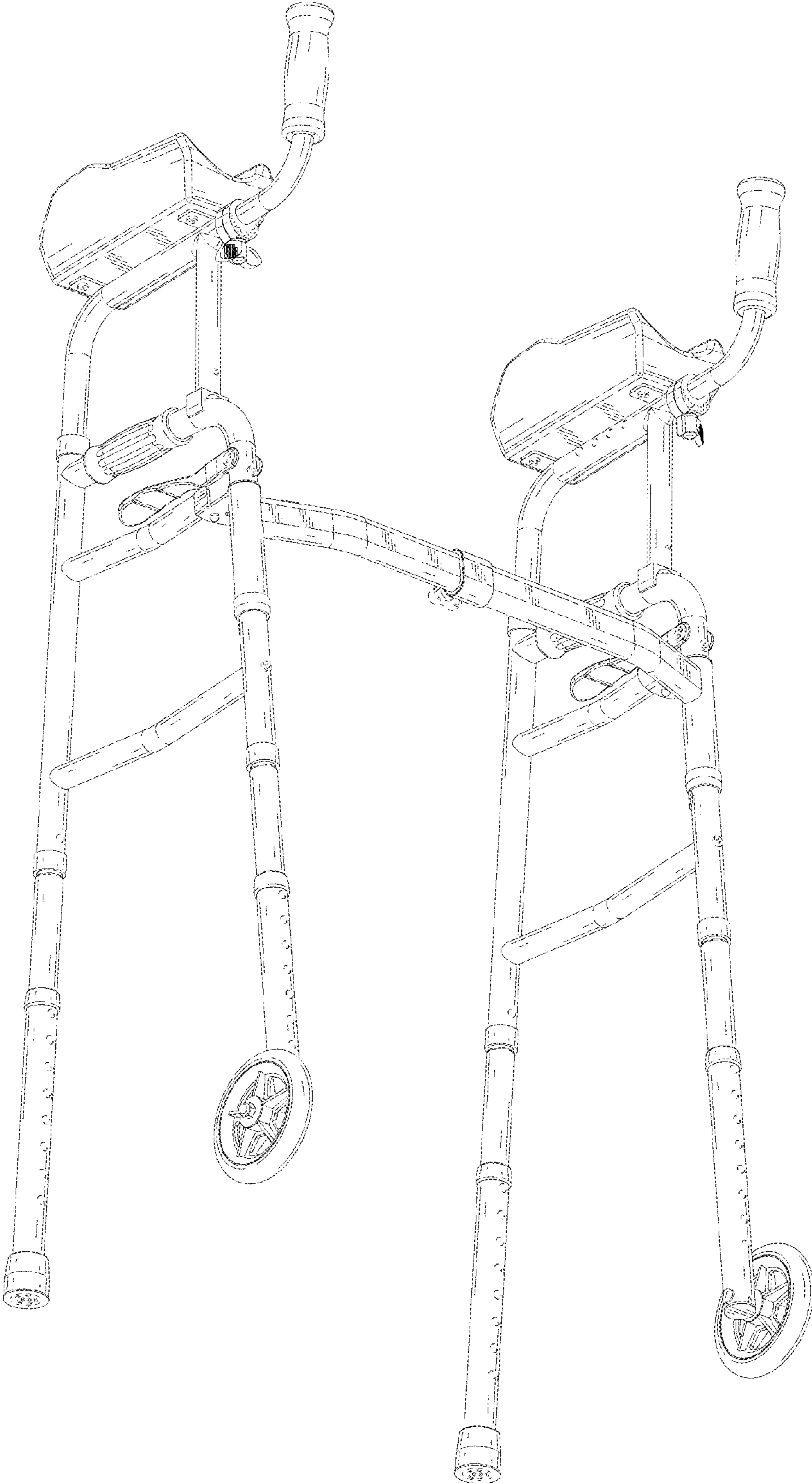


FIG. 2

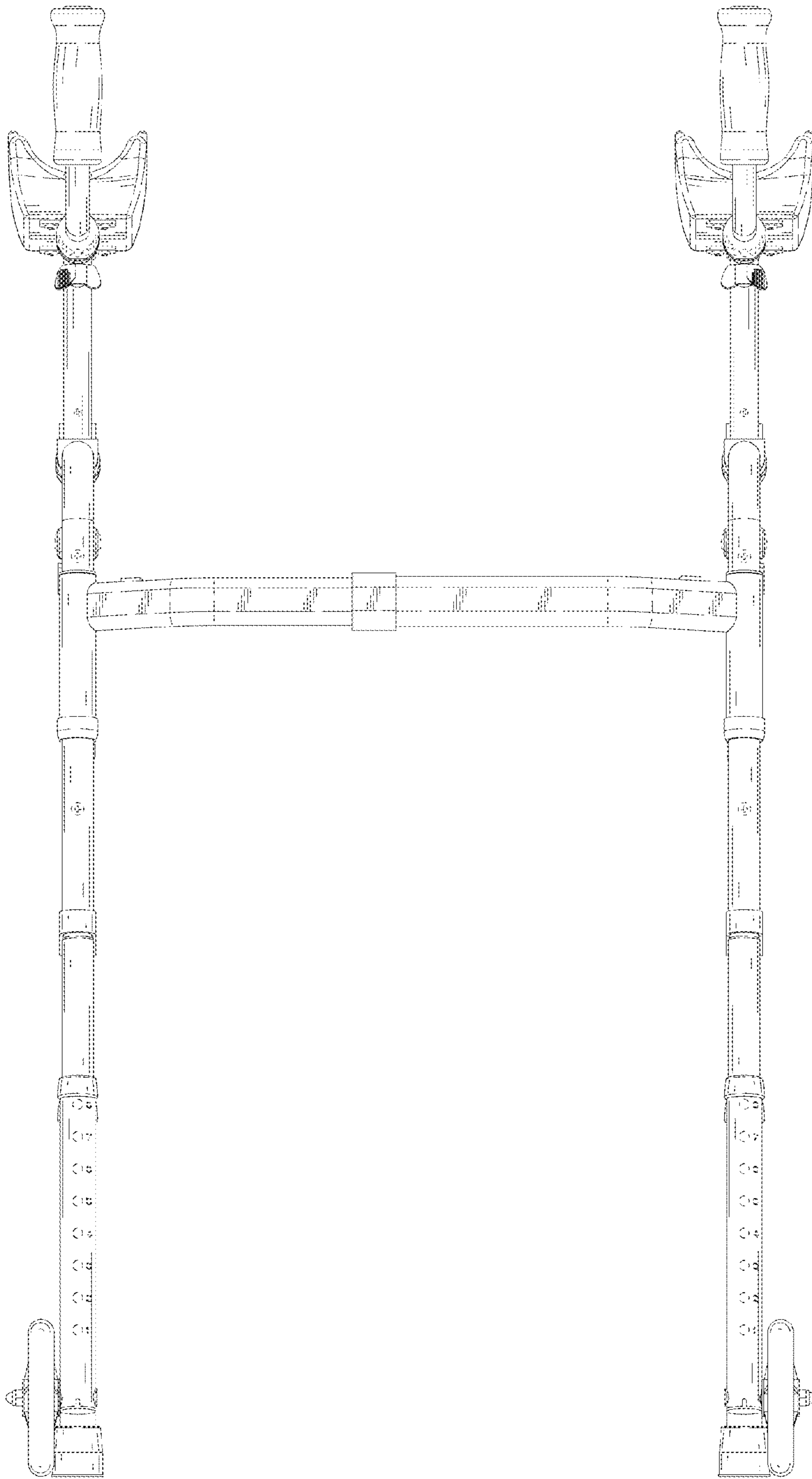


FIG. 3

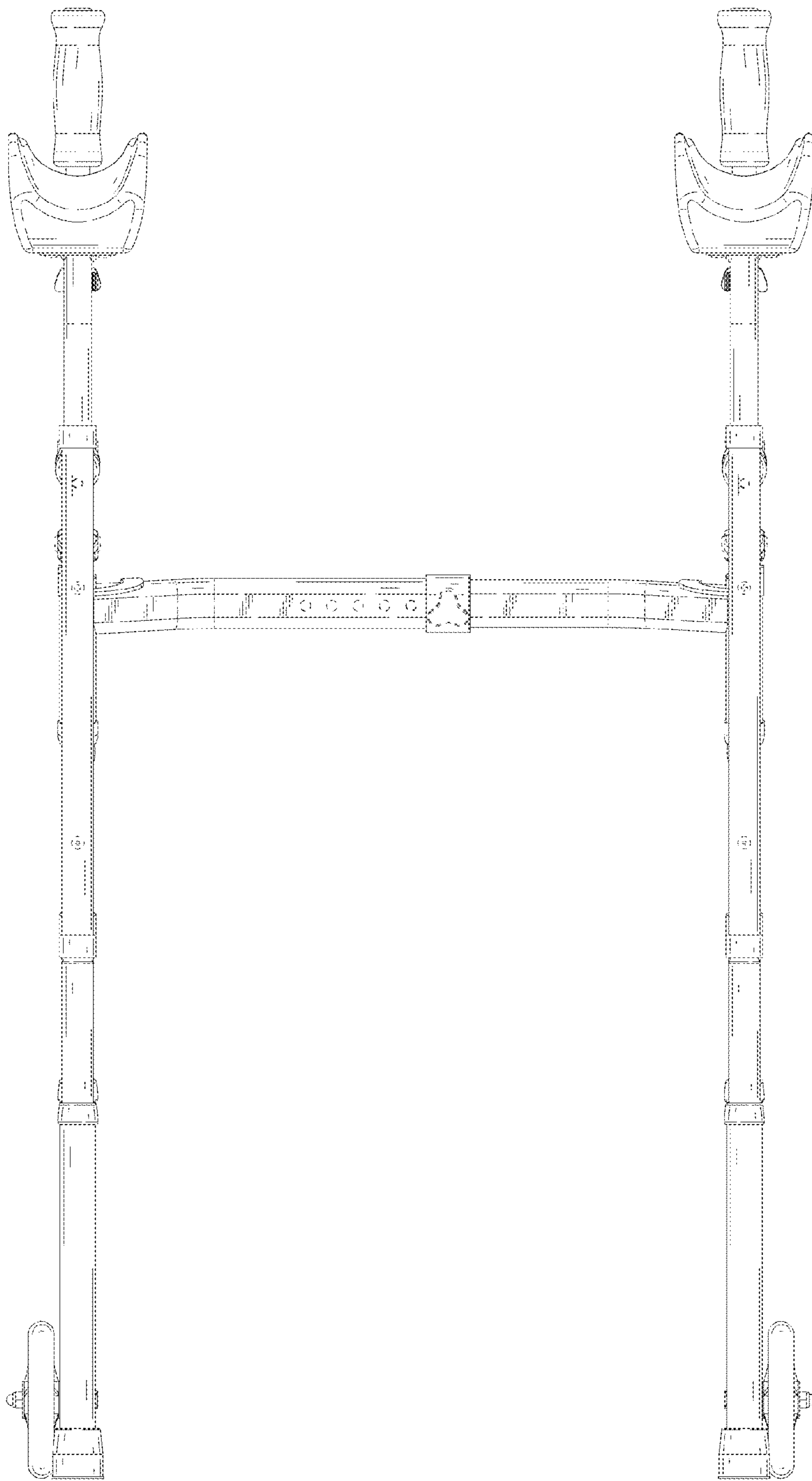


FIG. 4

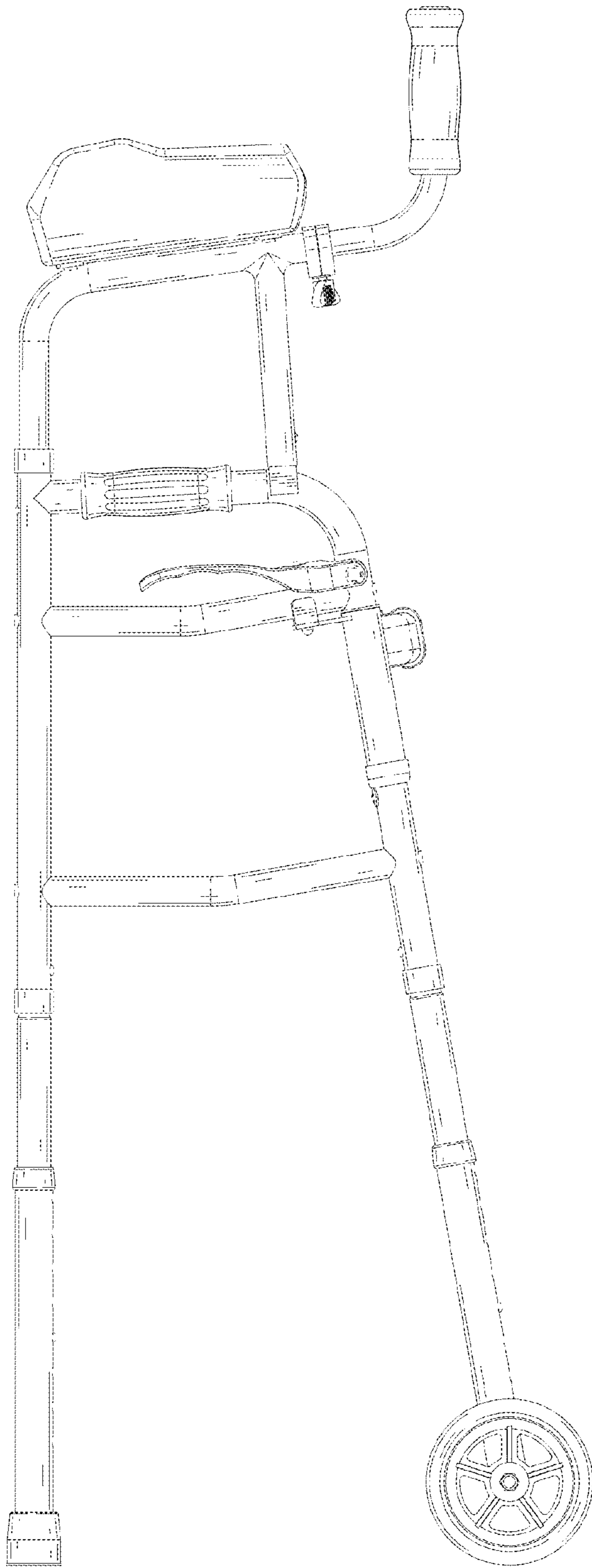


FIG. 5

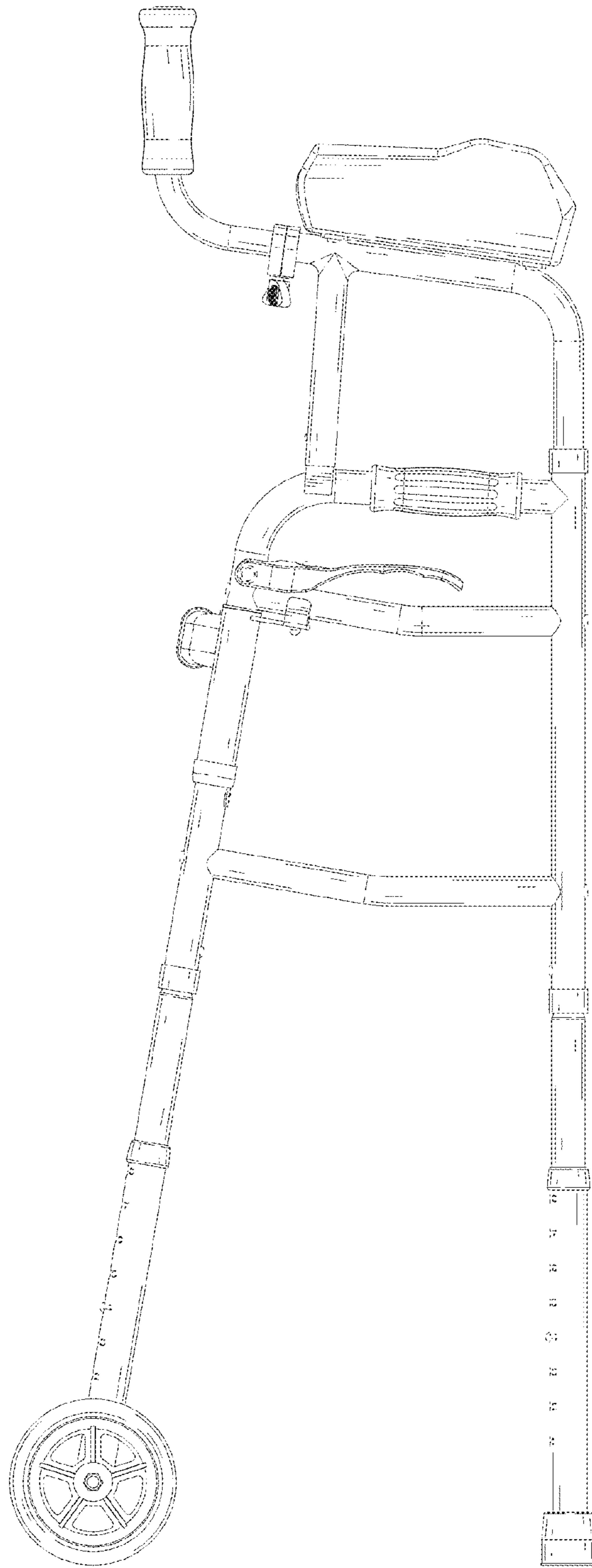


FIG. 6



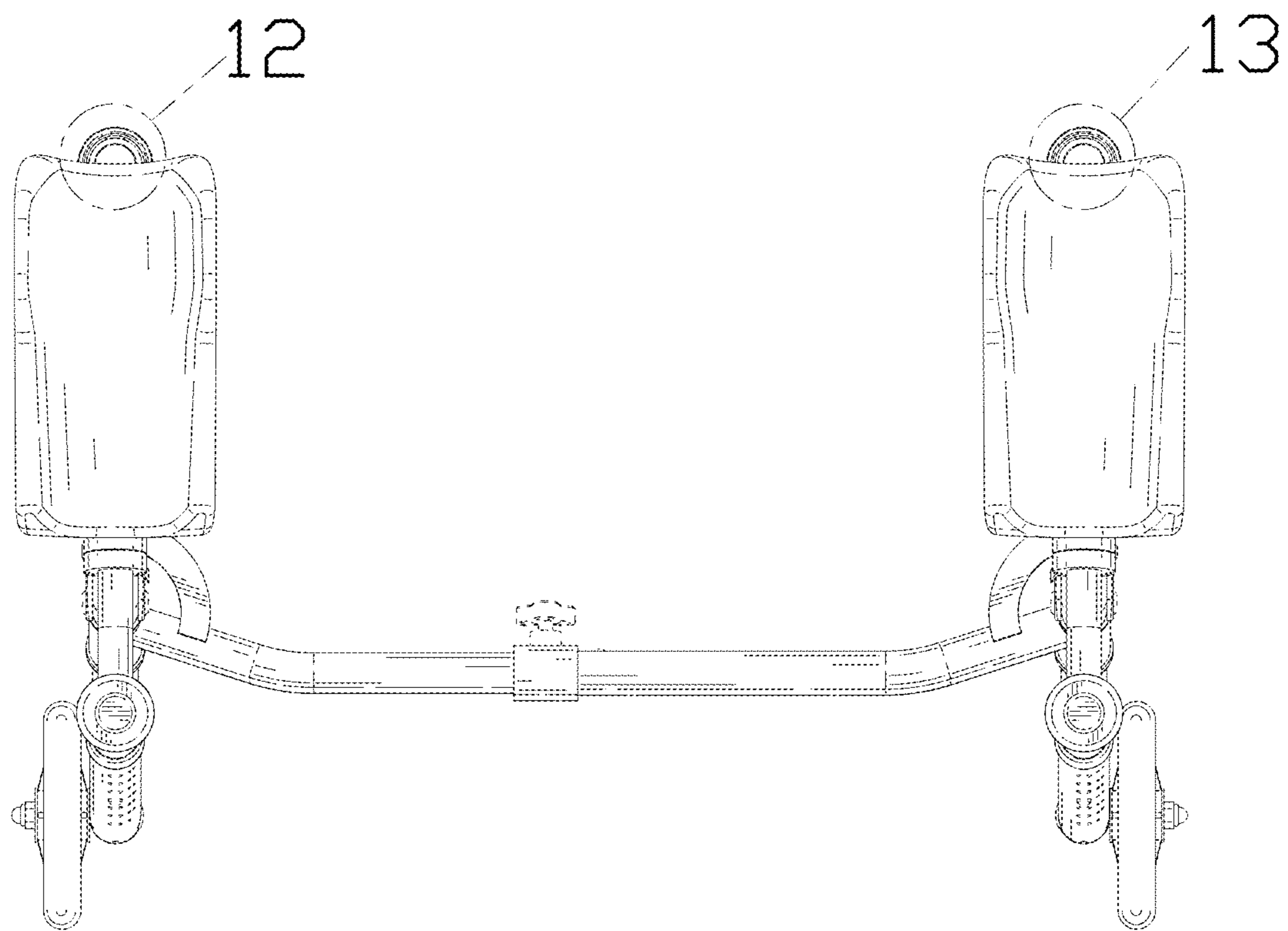


FIG. 7

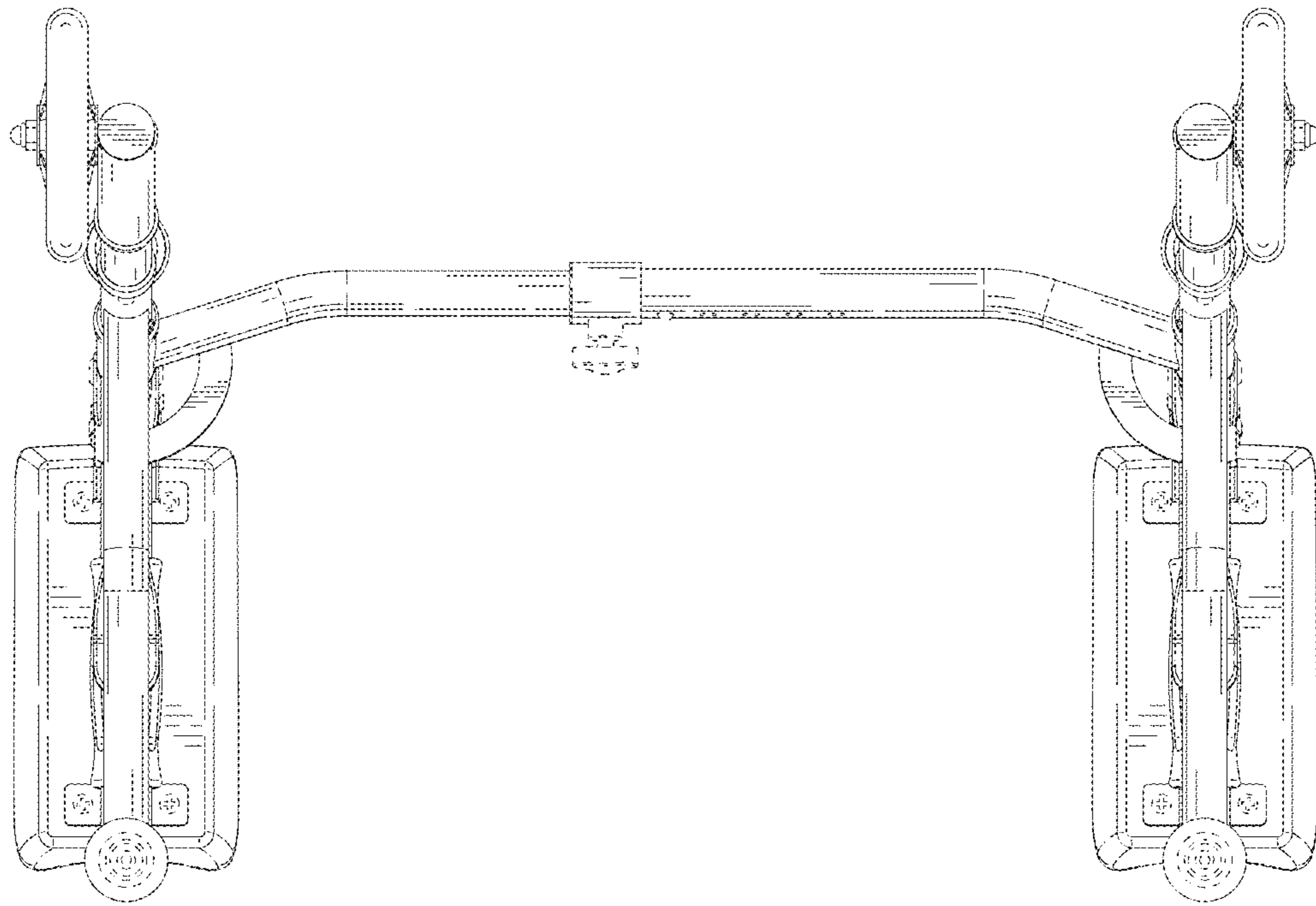


FIG. 8

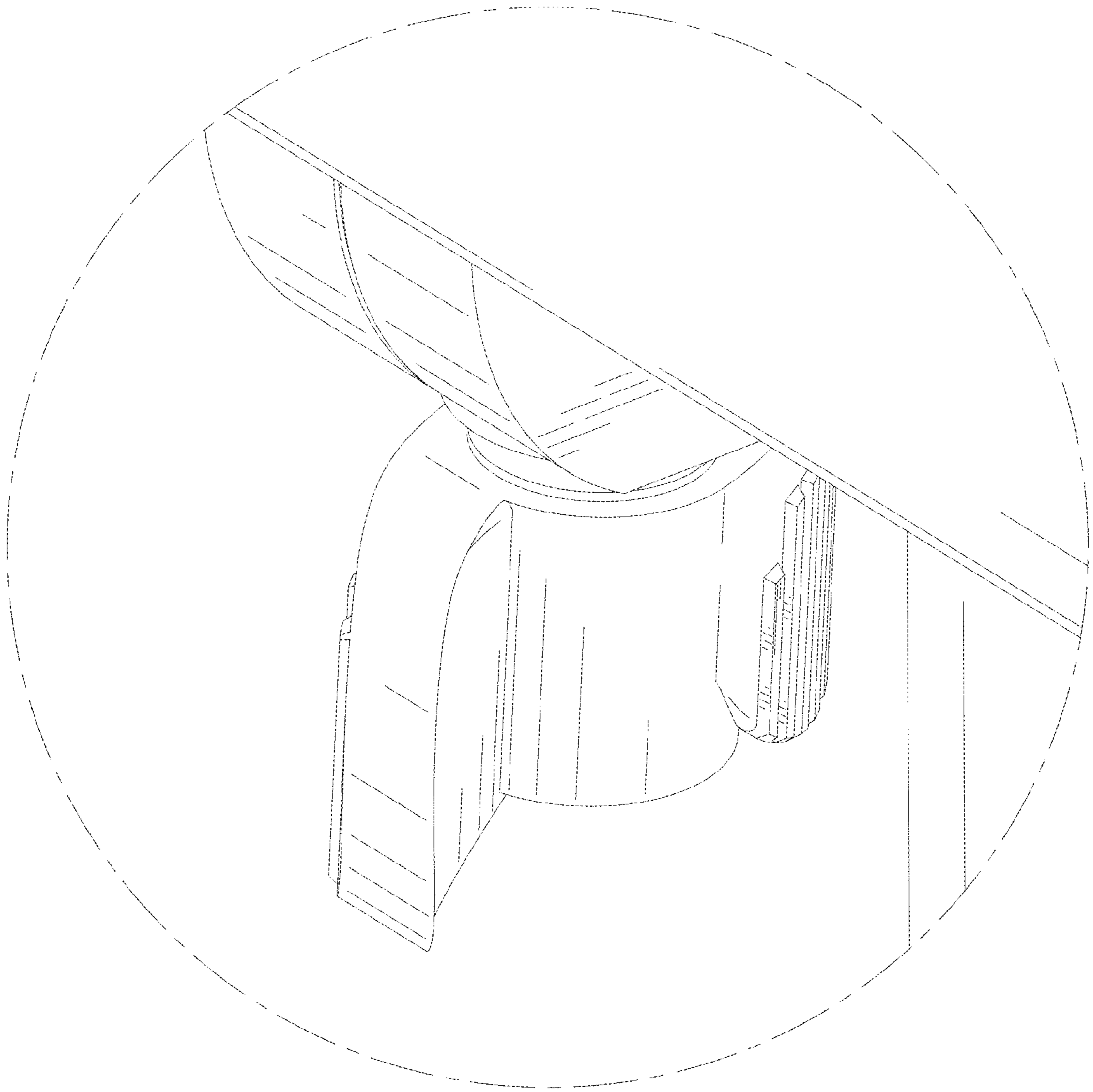


FIG. 9

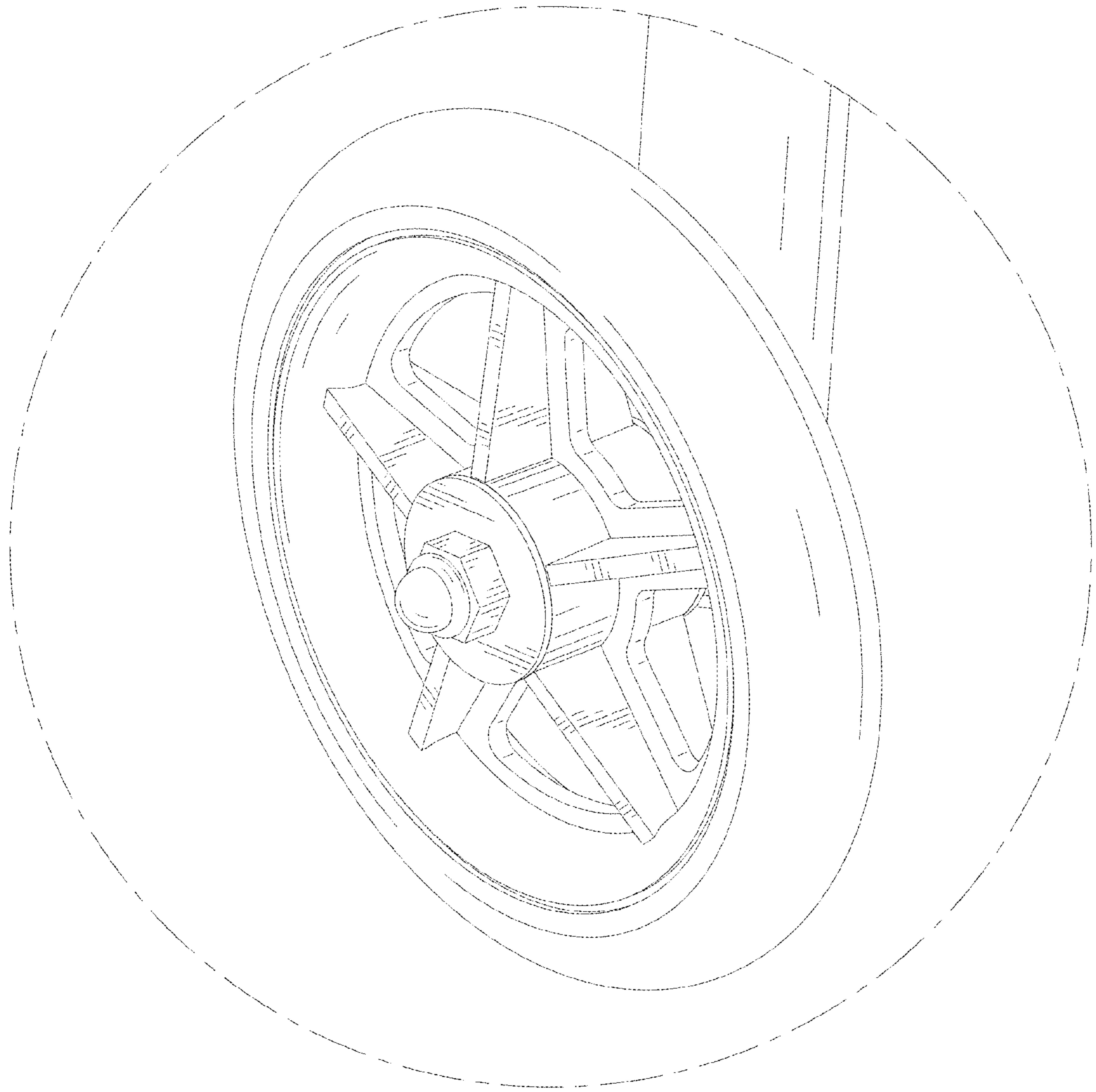


FIG. 10

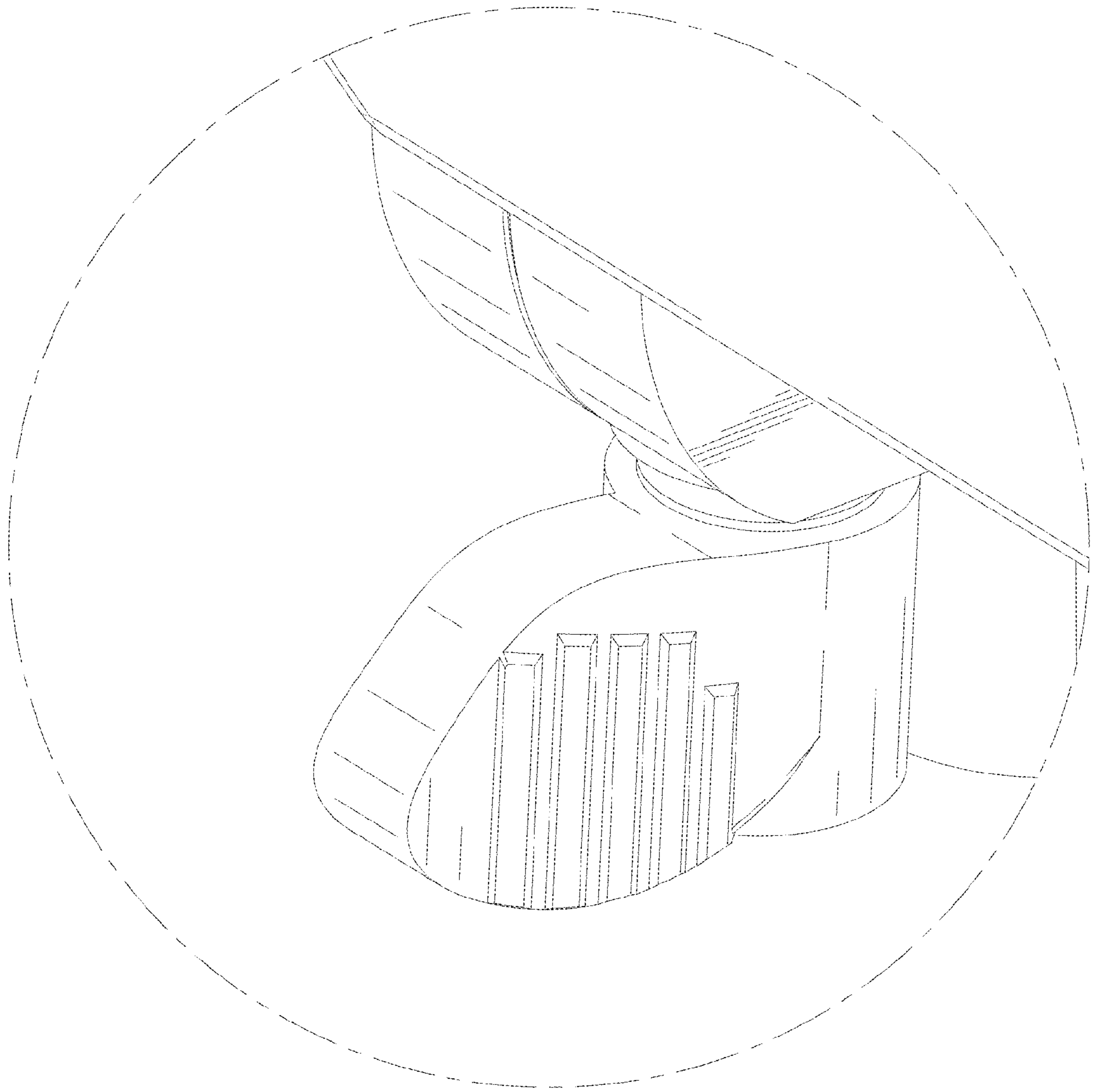


FIG. 11

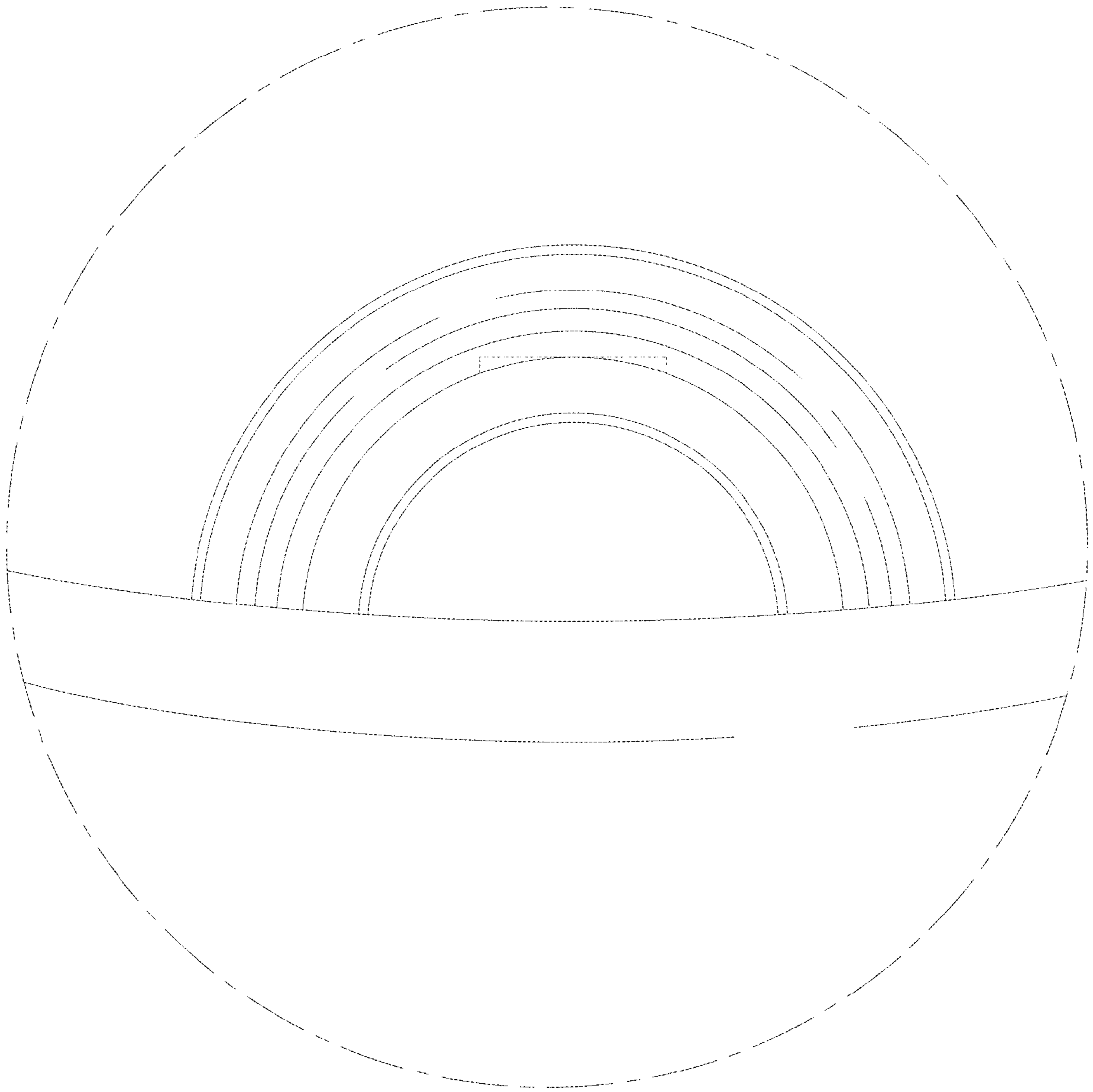


FIG. 12

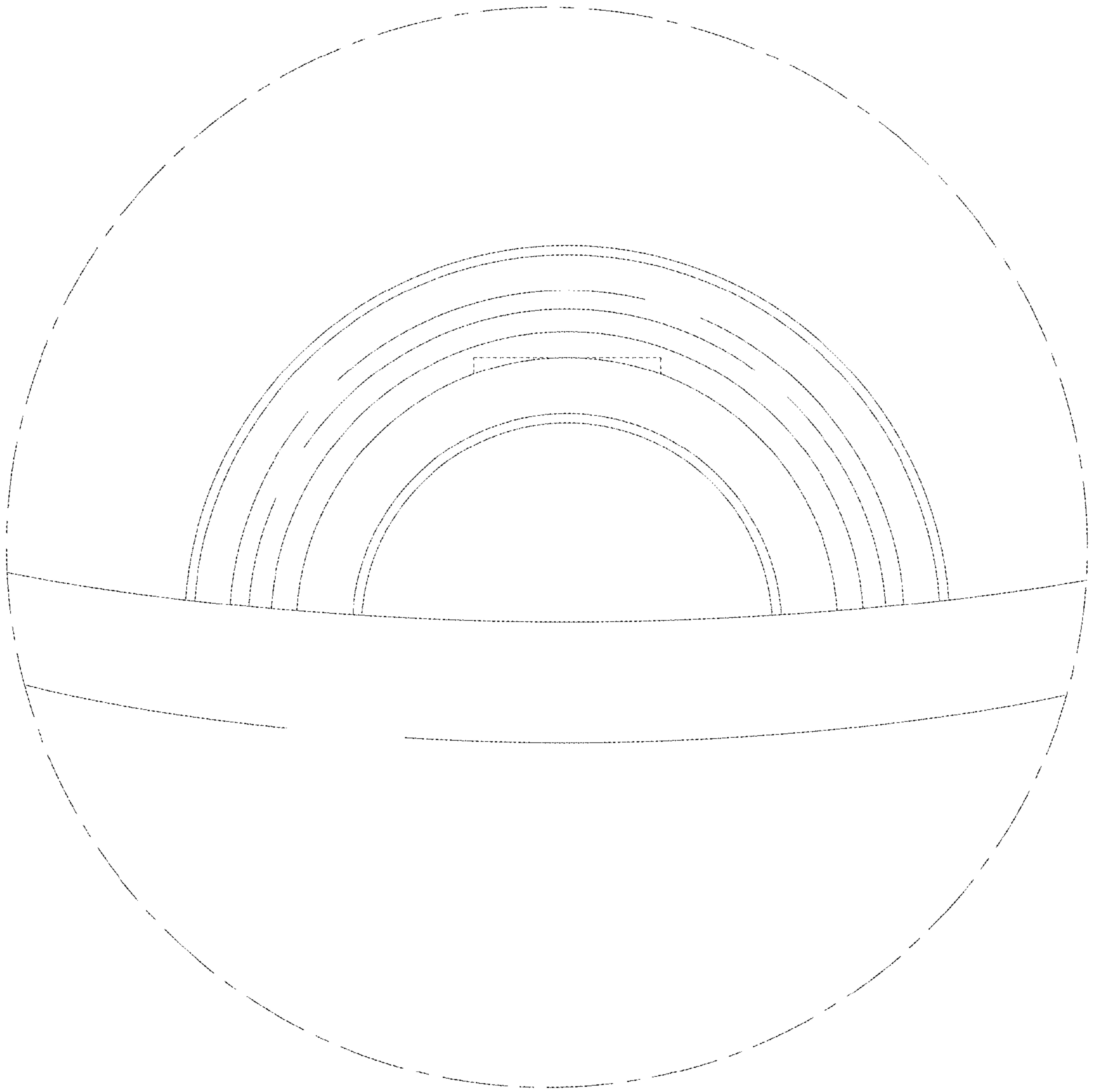


FIG. 13