



US00D974239S

(12) **United States Design Patent**
Yang

(10) **Patent No.:** **US D974,239 S**
(45) **Date of Patent:** **** Jan. 3, 2023**

(54) **ELECTRIC BICYCLE**

(71) Applicant: **Le Yang**, Changde (CN)

(72) Inventor: **Le Yang**, Changde (CN)

(**) Term: **15 Years**

(21) Appl. No.: **29/840,247**

(22) Filed: **May 27, 2022**

D807,233 S *	1/2018	Zhang	D12/111
D814,361 S *	4/2018	Shi	D12/111
D900,680 S *	11/2020	Chen	D12/111
D914,548 S *	3/2021	Chen	D12/111
D914,549 S *	3/2021	Chen	D12/111
D925,404 S *	7/2021	Lin	D12/111
D925,405 S *	7/2021	Lin	D12/111
D928,668 S *	8/2021	Li	D12/111
D929,269 S *	8/2021	Chen	D12/111
D933,538 S *	10/2021	Chen	D12/111
D934,120 S *	10/2021	Zhu	D12/111

(Continued)

Related U.S. Application Data

(63) Continuation of application No. 29/804,054, filed on Aug. 18, 2021, now Pat. No. Des. 960,054.

(51) **LOC (14) Cl.** **12-11**

(52) **U.S. Cl.**
USPC **D12/111**

(58) **Field of Classification Search**
USPC D12/111, 117; D21/412, 414, 419,
D21/423-428, 431-435
CPC B62K 3/00; B62K 3/02; B62K 3/06
See application file for complete search history.

(56) **References Cited**

U.S. PATENT DOCUMENTS

4,634,138 A *	1/1987	Fryer	B62K 15/008
				280/278
5,836,602 A *	11/1998	Wang	B62K 15/008
				280/278
6,267,401 B1 *	7/2001	De Jong	B62K 15/008
				280/287
D487,234 S *	3/2004	Chen	D12/111
7,055,842 B1 *	6/2006	Lin	B62K 15/008
				292/164
7,156,409 B2 *	1/2007	Chuang	B62K 15/006
				280/281.1
D617,687 S *	6/2010	Brady	D12/111
D654,403 S *	2/2012	Kyu	D12/111
D756,264 S *	5/2016	Thompson	D12/111
D807,232 S *	1/2018	Bailie	D21/432

OTHER PUBLICATIONS

“G-force Bike User Manual.” G-force., May 28, 2021 [online], [retrieved on Feb. 25, 2022]. Retrieved from the Internet <URL: <https://www.g-forcebike.com/pub/media/doc/Ebike-T41-user-manual.pdf>>.*

(Continued)

Primary Examiner — Darlington Ly

(74) *Attorney, Agent, or Firm* — Rumit Ranjit Kanakia

(57)

CLAIM

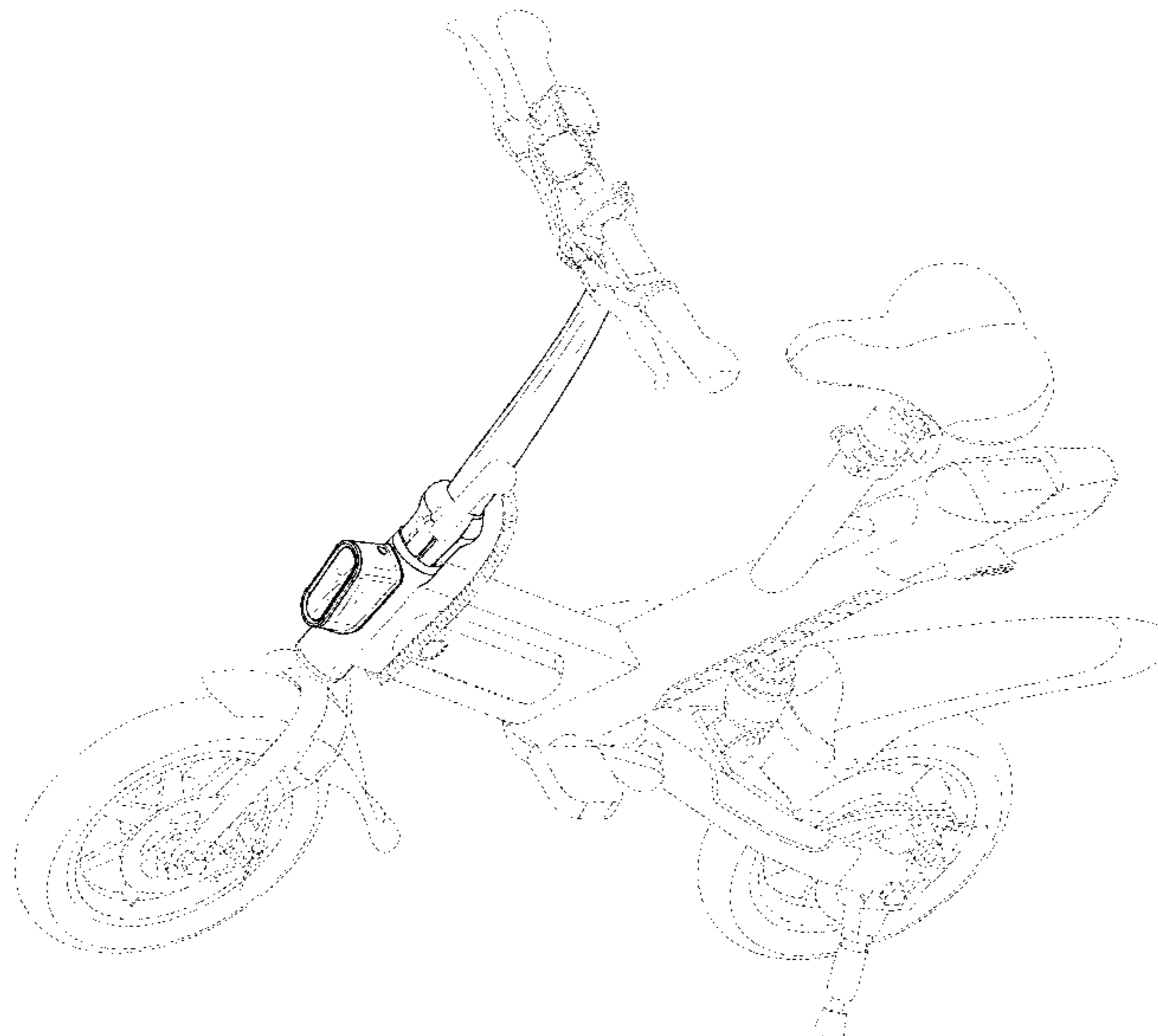
The ornamental design for an electric bicycle, as shown and described.

DESCRIPTION

FIG. 1 is a top and front perspective view of an electric bicycle embodying my new design;
FIG. 2 is a bottom and rear perspective view thereof;
FIG. 3 is a left side elevation view thereof;
FIG. 4 is a right side elevation view thereof;
FIG. 5 is a front elevation view thereof;
FIG. 6 is a rear elevation view thereof;
FIG. 7 is a top plan view thereof; and,
FIG. 8 is a bottom plan view thereof.

The broken lines shown in the drawings depict portions of the electric bicycle that form no part of the claimed design.

1 Claim, 8 Drawing Sheets



(56)

References Cited

U.S. PATENT DOCUMENTS

D934,124 S * 10/2021 Avery D12/111
D934,125 S * 10/2021 Avery D12/111
D934,126 S * 10/2021 Avery D12/111
D934,740 S * 11/2021 Avery D12/111
D948,384 S * 4/2022 Cai D12/111

OTHER PUBLICATIONS

“G-Force T42 Folding Electric Bike Review and Video.” Folding Wheels., Jul. 28, 2021 [online], [retrieved on Feb. 4, 2022]. Retrieved from the Internet <URL: <https://www.foldingwheels.com/g-force-t42-folding-e-bike-review-and-video/>.*

“Eahora Azarias 750W Folding Electric Bike Review and Video.” Folding Wheels., Nov. 23, 2021 [online], [retrieved on Feb. 4, 2022]. Retrieved from the Internet <URL: <https://www.foldingwheels.com/eahora-azarias-750w-folding-electric-bike-review/>.*

* cited by examiner

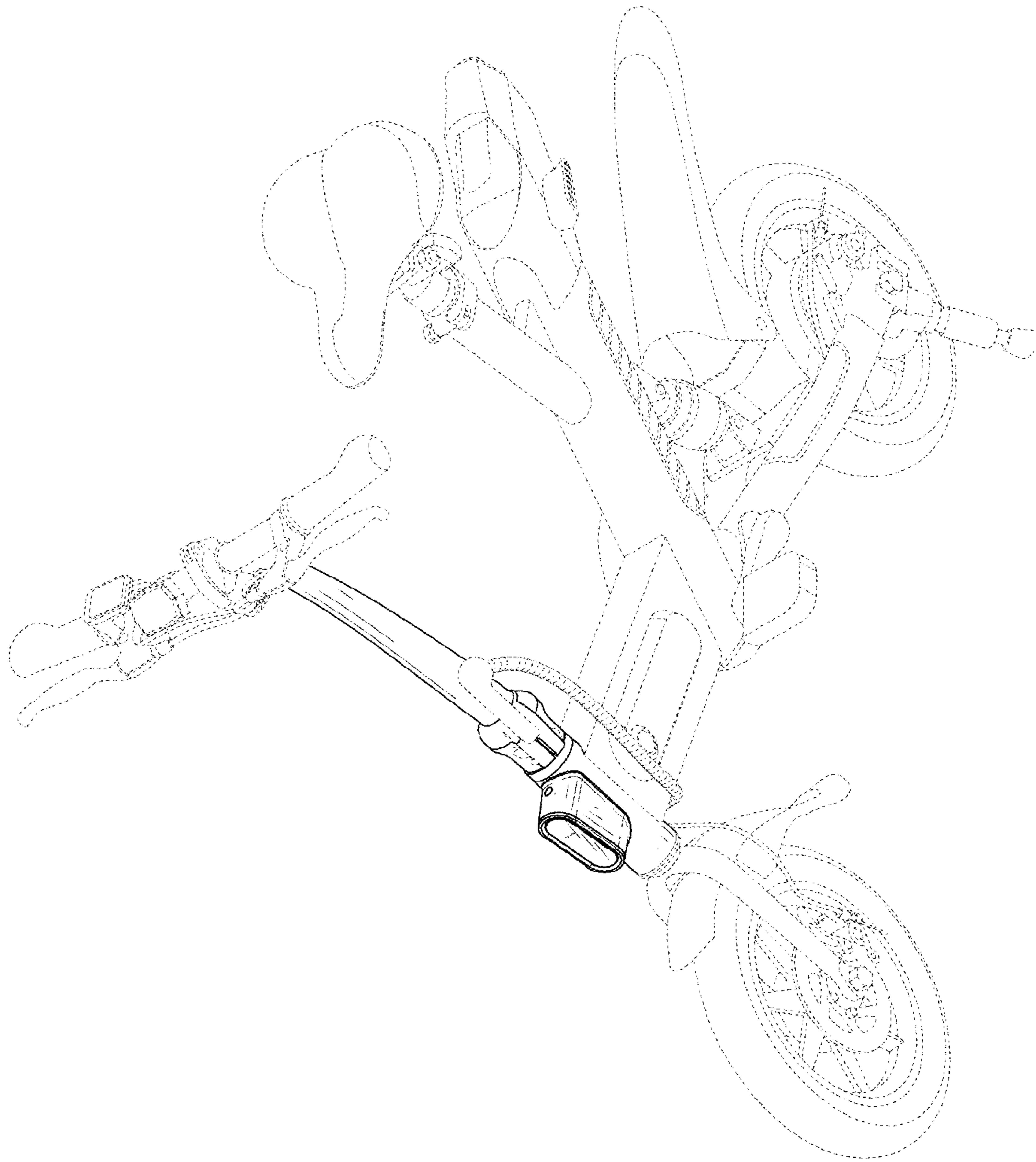


FIG. 1

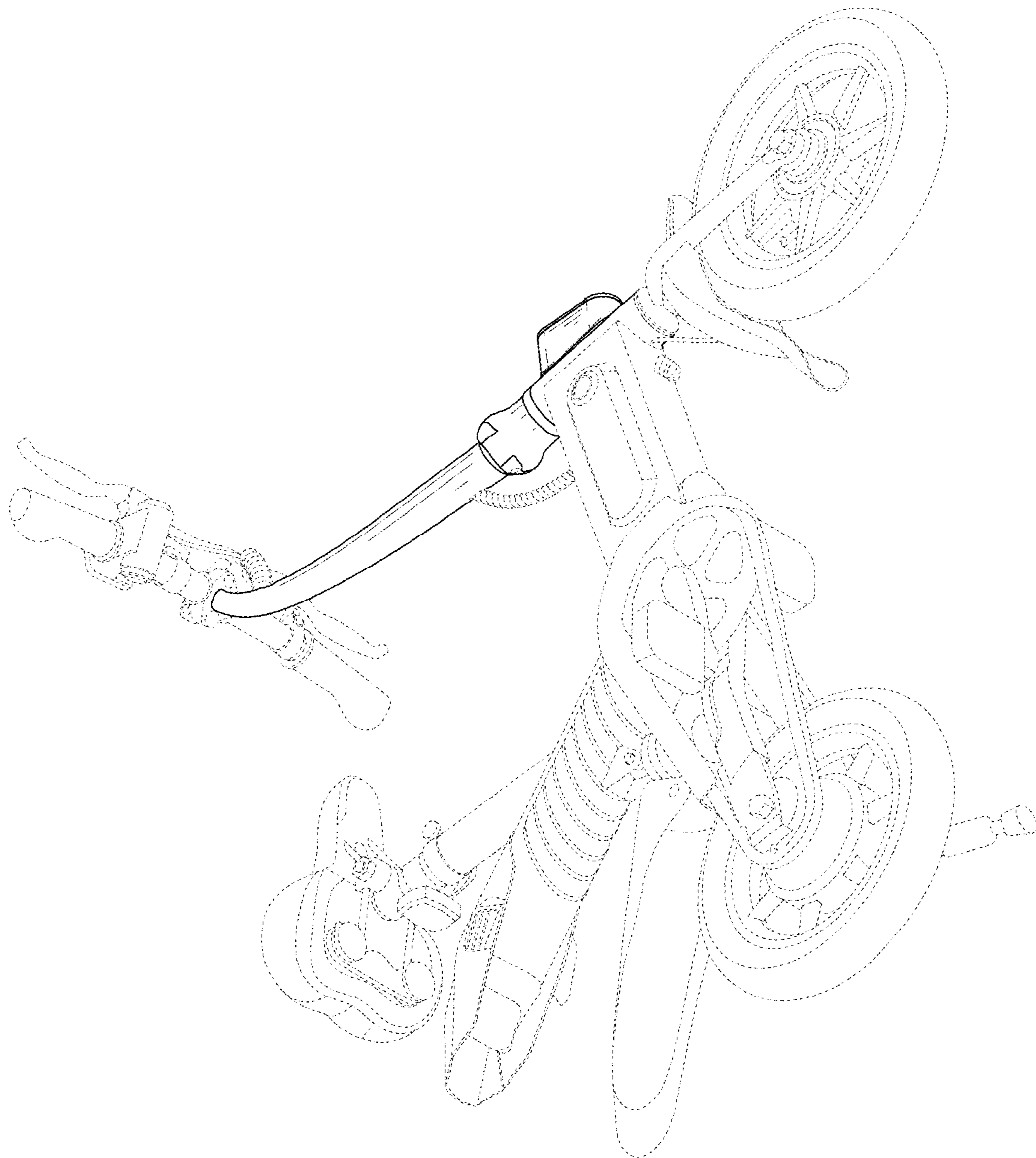


FIG. 2

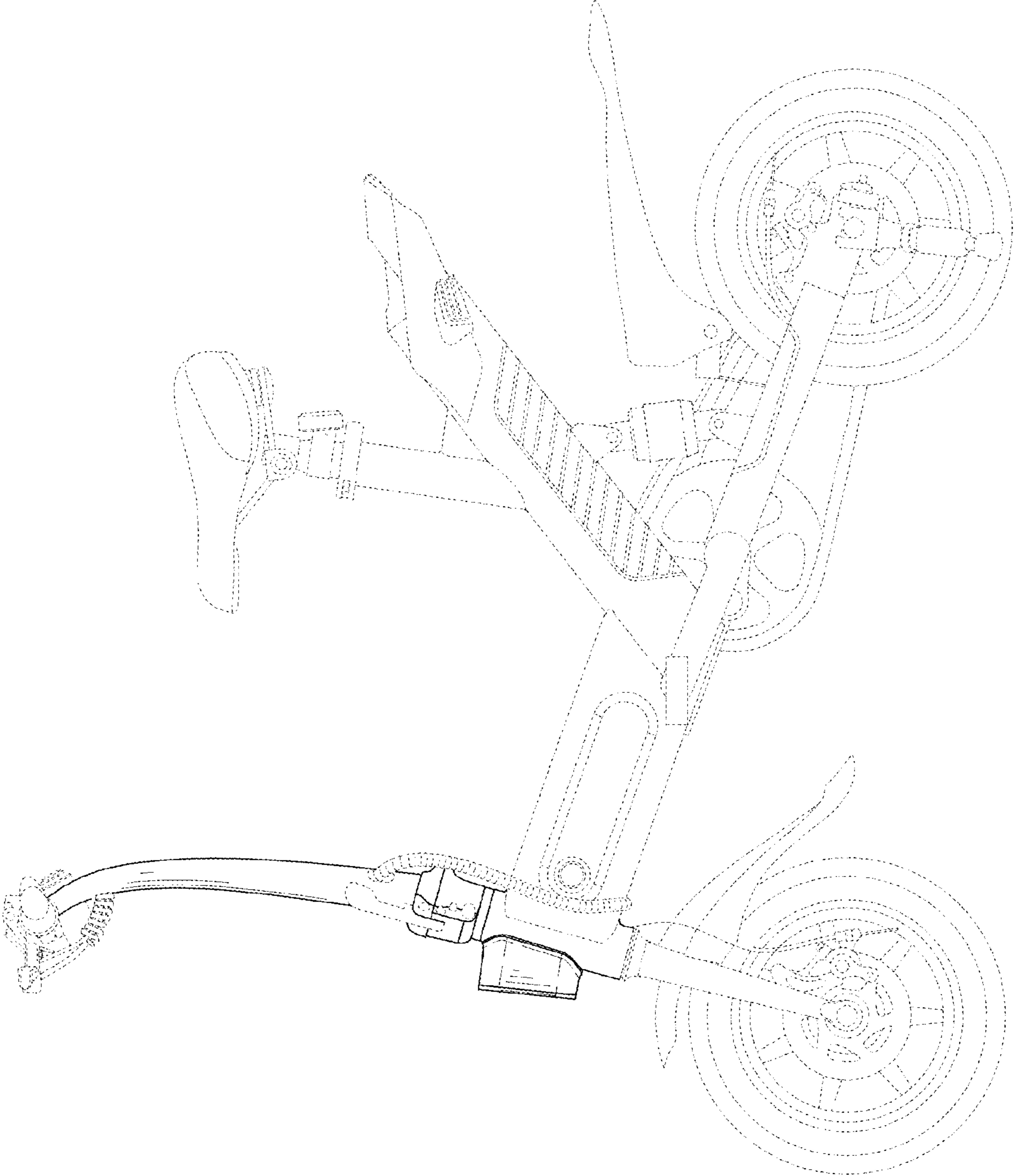


FIG. 3

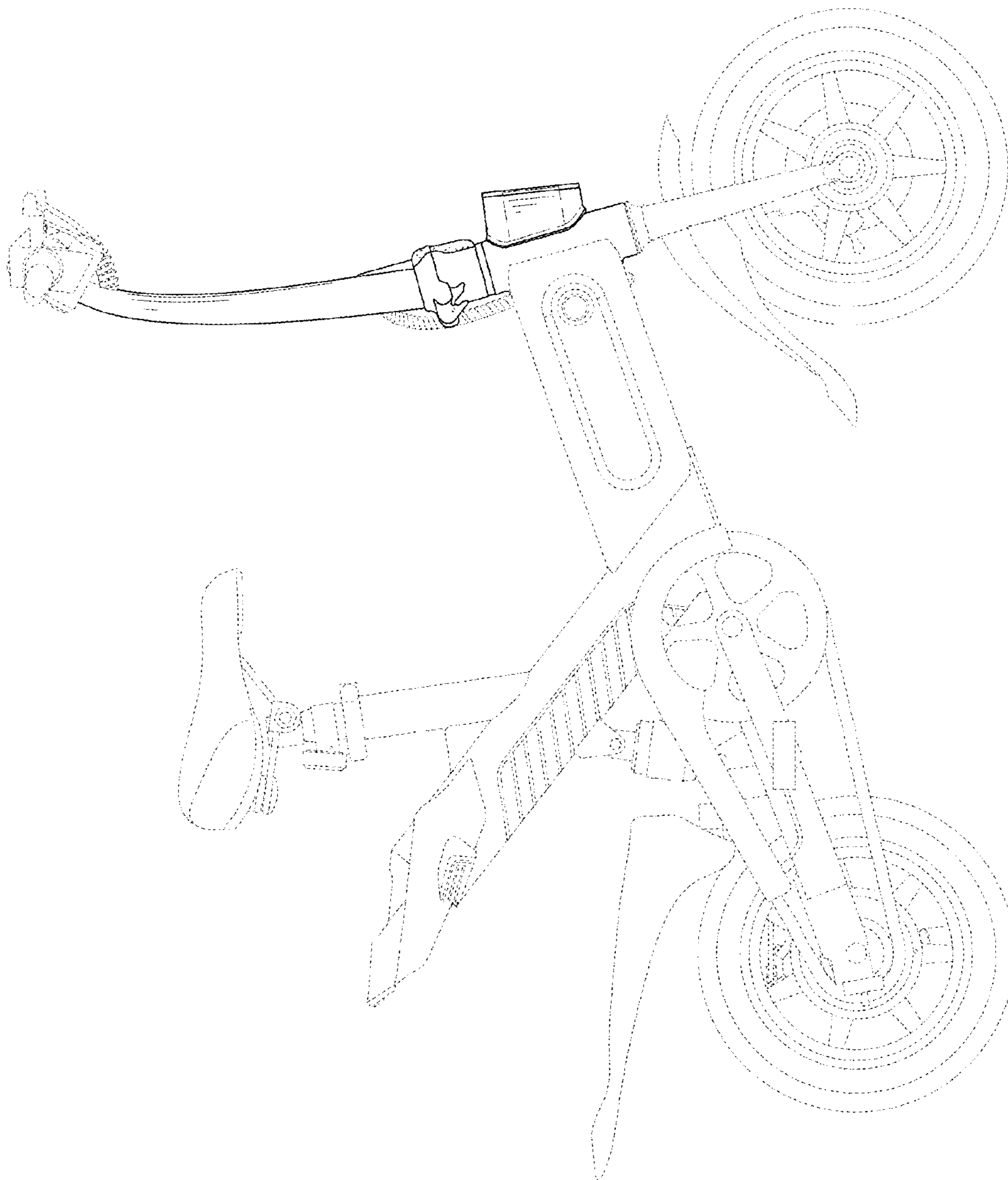


FIG. 4

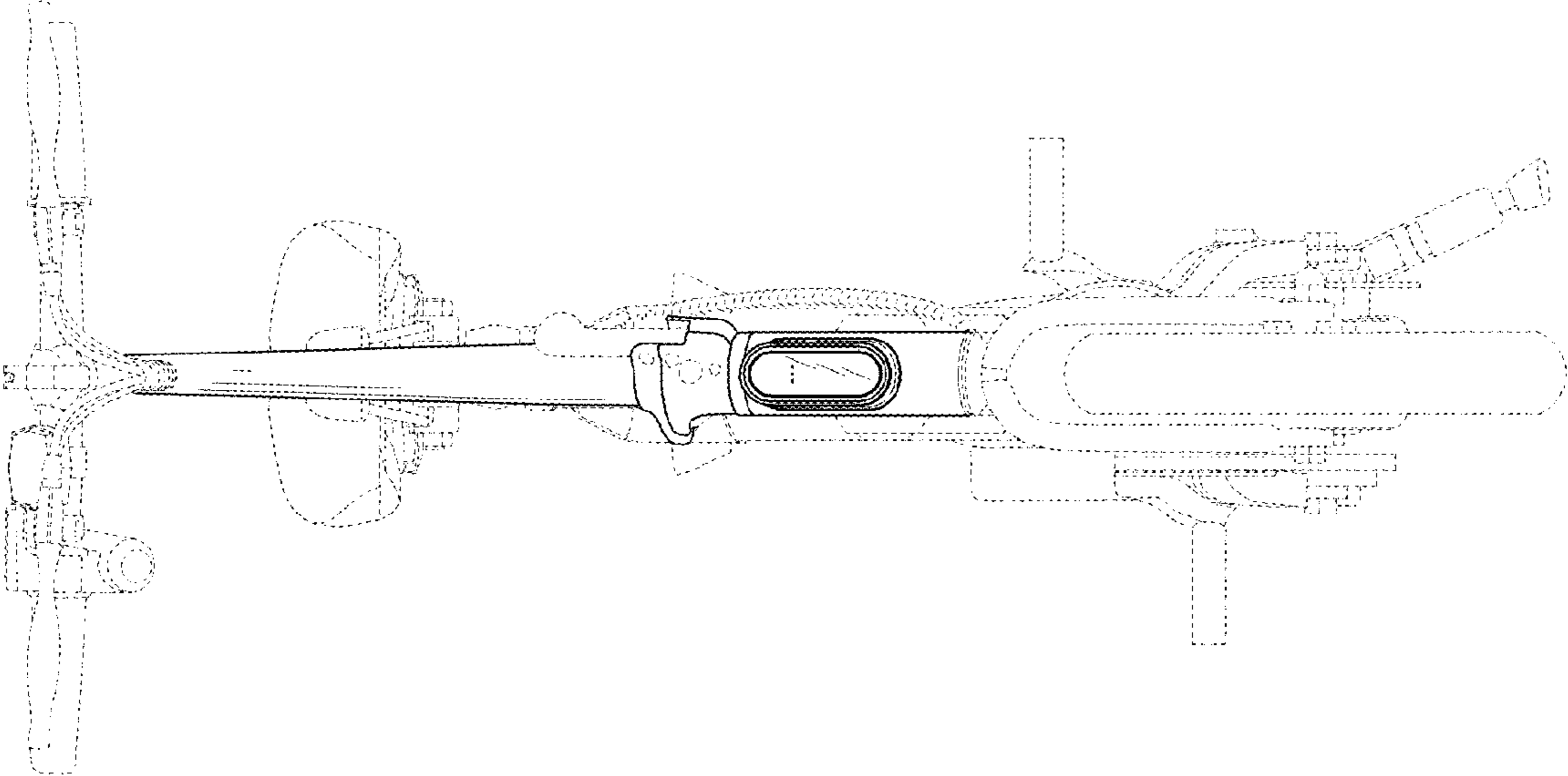


FIG. 5

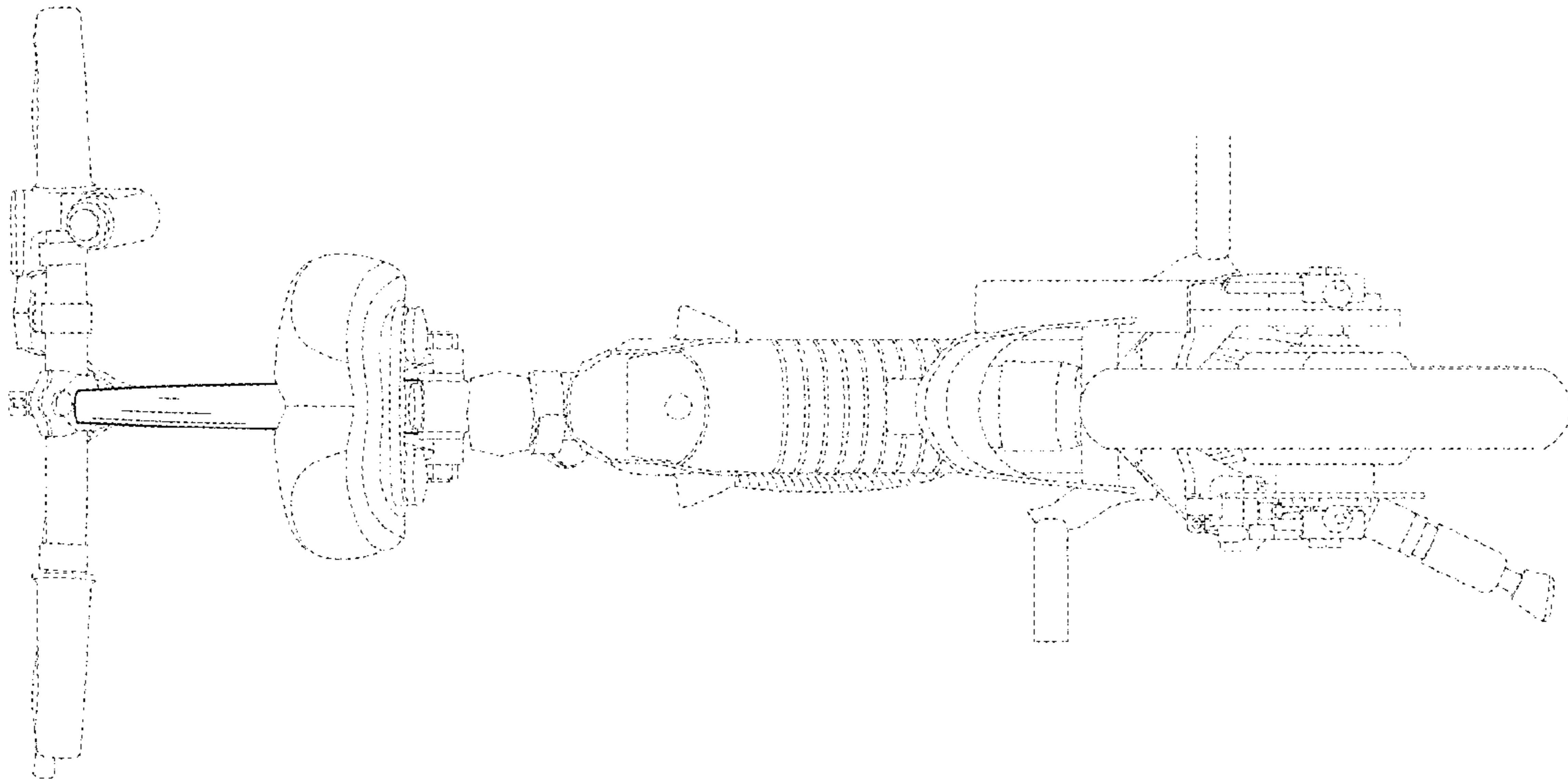


FIG. 6

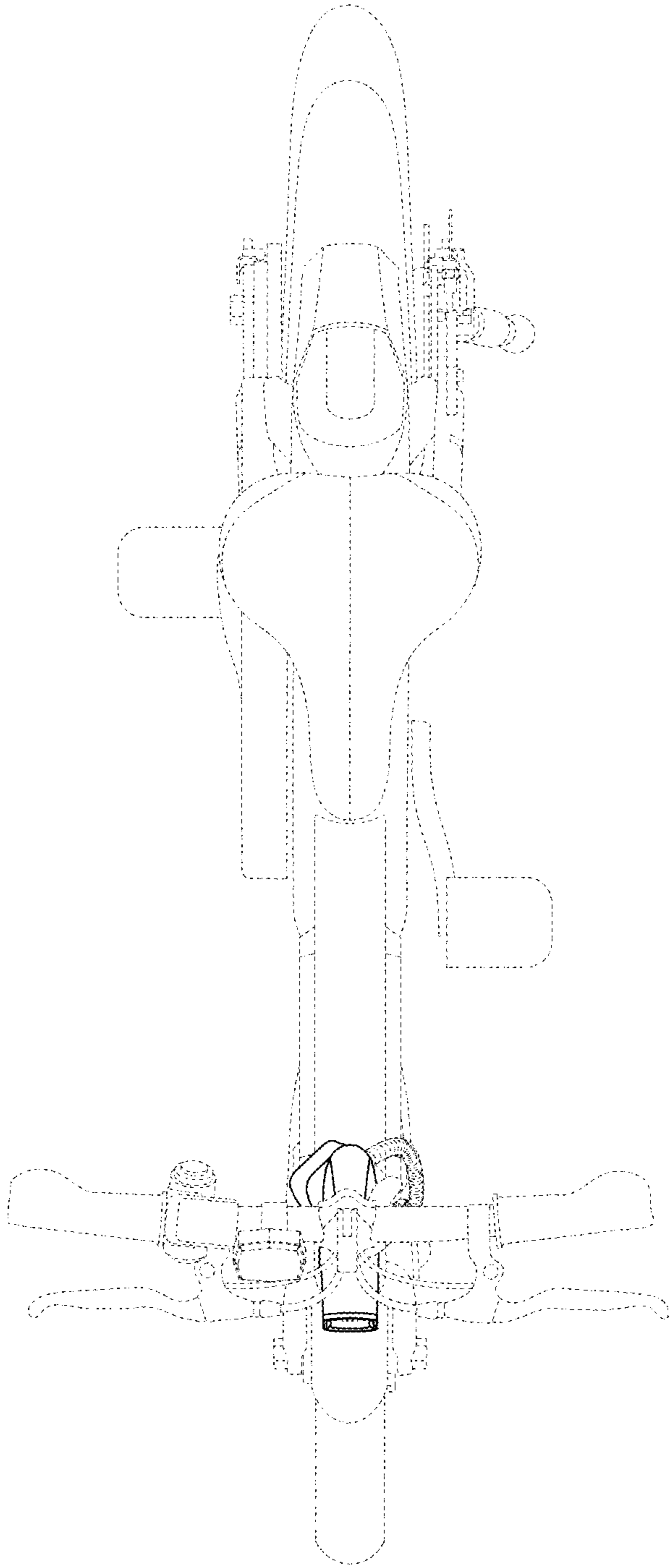


FIG. 7

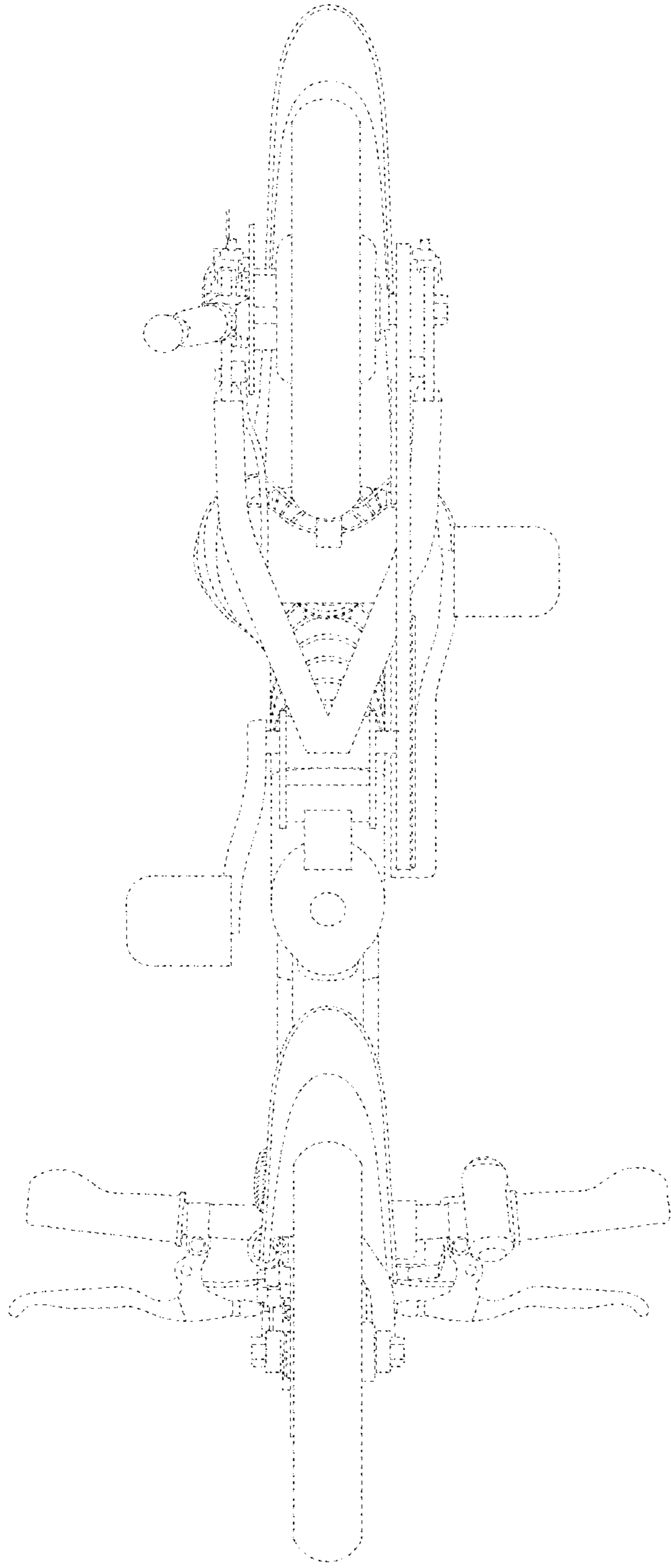


FIG. 8