



US00D974230S

(12) **United States Design Patent**
Seydoux Fornier de Clausonne et al.

(10) **Patent No.:** **US D974,230 S**
(45) **Date of Patent:** **** Jan. 3, 2023**

(54) **DRONE AIRCRAFT**

(71) Applicant: **PARROT DRONES**, Paris (FR)

(72) Inventors: **Henri Jérôme Seydoux Fornier de Clausonne**, Paris (FR); **Thomas Barse**, Paris (FR); **Yan Bertin**, Paris (FR); **François Dussart**, Paris (FR); **Thierry Sanlaville**, Paris (FR)

(**) Term: **15 Years**

(21) Appl. No.: **35/512,283**

(22) Filed: **Jun. 29, 2021**

(80) **Hague Agreement Data**

Int. Filing Date: **Jun. 29, 2021**
Int. Reg. No.: **DM/215412**
Int. Reg. Date: **Jun. 29, 2021**
Int. Reg. Pub. Date: **Jul. 30, 2021**

(51) **LOC (14) Cl.** **12-07**

(52) **U.S. Cl.**
USPC **D12/16.1**

(58) **Field of Classification Search**
USPC D12/1, 16.1; D21/436, 441, 442, 447, D21/450, 533
CPC B64C 27/04; B64C 27/08; B64C 39/024; B64C 2201/024; B64C 2201/108; B64C 2203/00

See application file for complete search history.

(56) **References Cited**

U.S. PATENT DOCUMENTS

D860,048 S * 9/2019 Caubel B64C 1/063 D21/441
D866,396 S * 11/2019 Chen D12/16.1
D881,067 S * 4/2020 Zhou D12/16.1
D882,460 S * 4/2020 Chen G03B 17/561 D12/16.1
D906,881 S * 1/2021 Chen D21/441

D918,087 S * 5/2021 He D12/319
11,117,661 B2 * 9/2021 Caubel B64C 1/063
D953,201 S * 5/2022 Costier B64C 27/50 D12/16.1
2022/0033073 A1 * 2/2022 Seydoux Fornier de Clausonne G03B 17/561

OTHER PUBLICATIONS

Parrot ANAFI Ai Launch Video, published on Jun. 30, 2021 at YouTube.com. Retrieved from the internet on Aug. 15, 2022 <URL: <https://www.youtube.com/watch?v=lwKMYfpqKwQ>> (Year: 2021).*

* cited by examiner

Primary Examiner — Joseph Kukella

(57) **CLAIM**

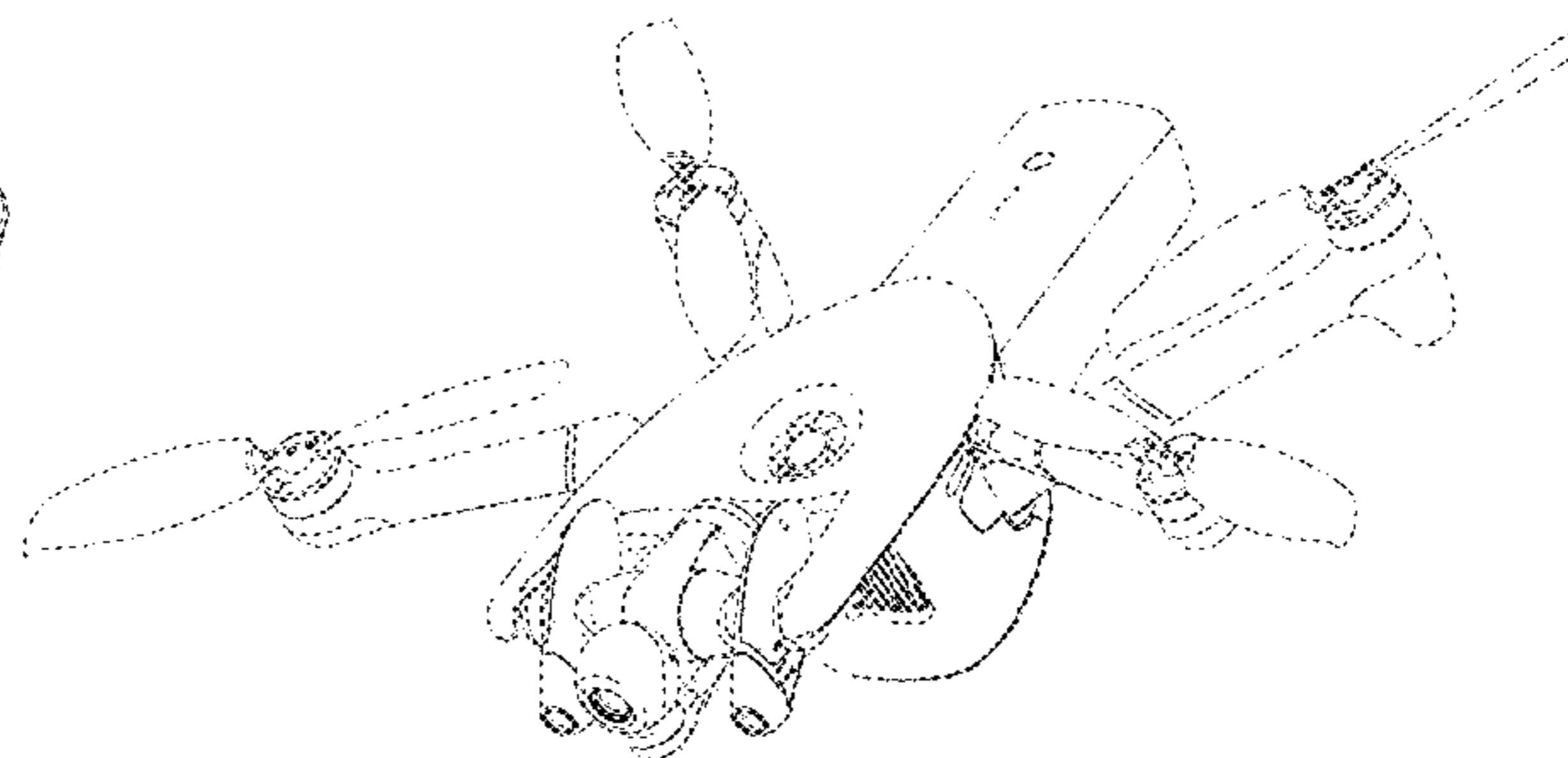
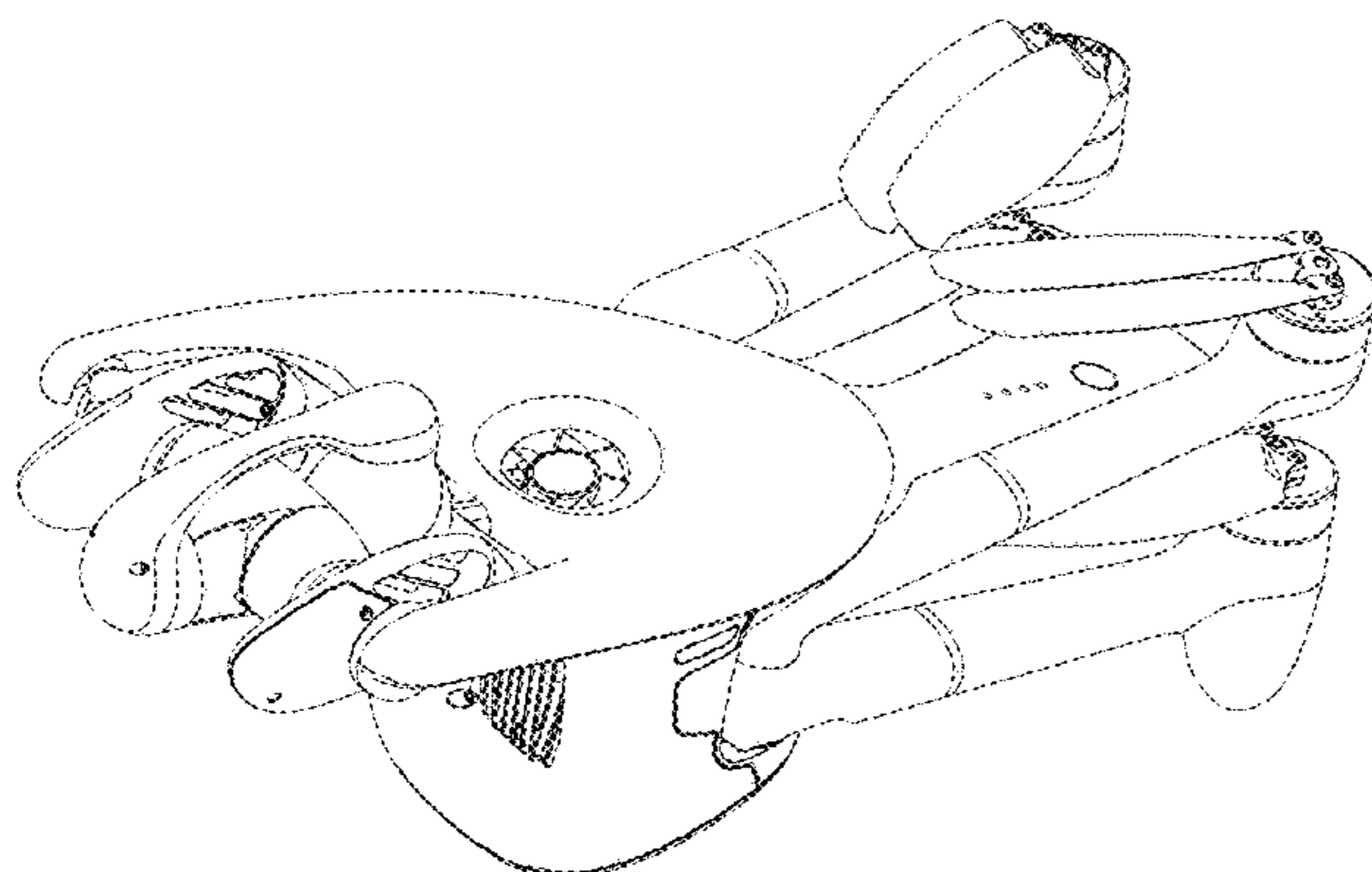
The ornamental design for drone aircraft, as shown and described.

DESCRIPTION

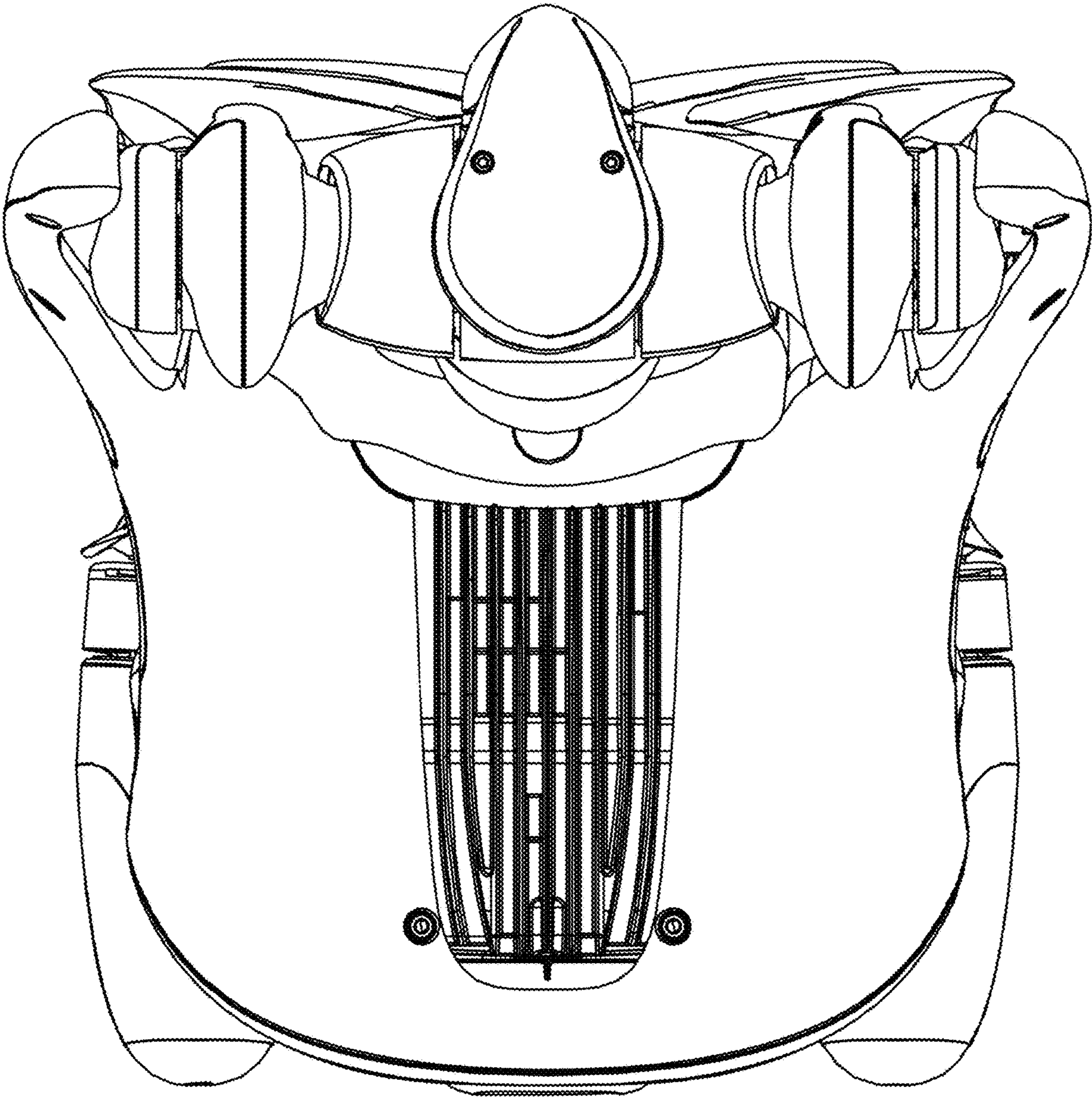
- 1. Drone (aircraft)
- 2. Drone (aircraft)
 - 1.1 : Front
 - 1.2 : Back
 - 1.3 : Left
 - 1.4 : Right
 - 1.5 : Top
 - 1.6 : Bottom
 - 1.7 : Perspective
 - 2.1 : Front
 - 2.2 : Back
 - 2.3 : Left
 - 2.4 : Right
 - 2.5 : Top
 - 2.6 : Bottom
 - 2.7 : Perspective

The second design corresponds to the “open position” version of the first design.

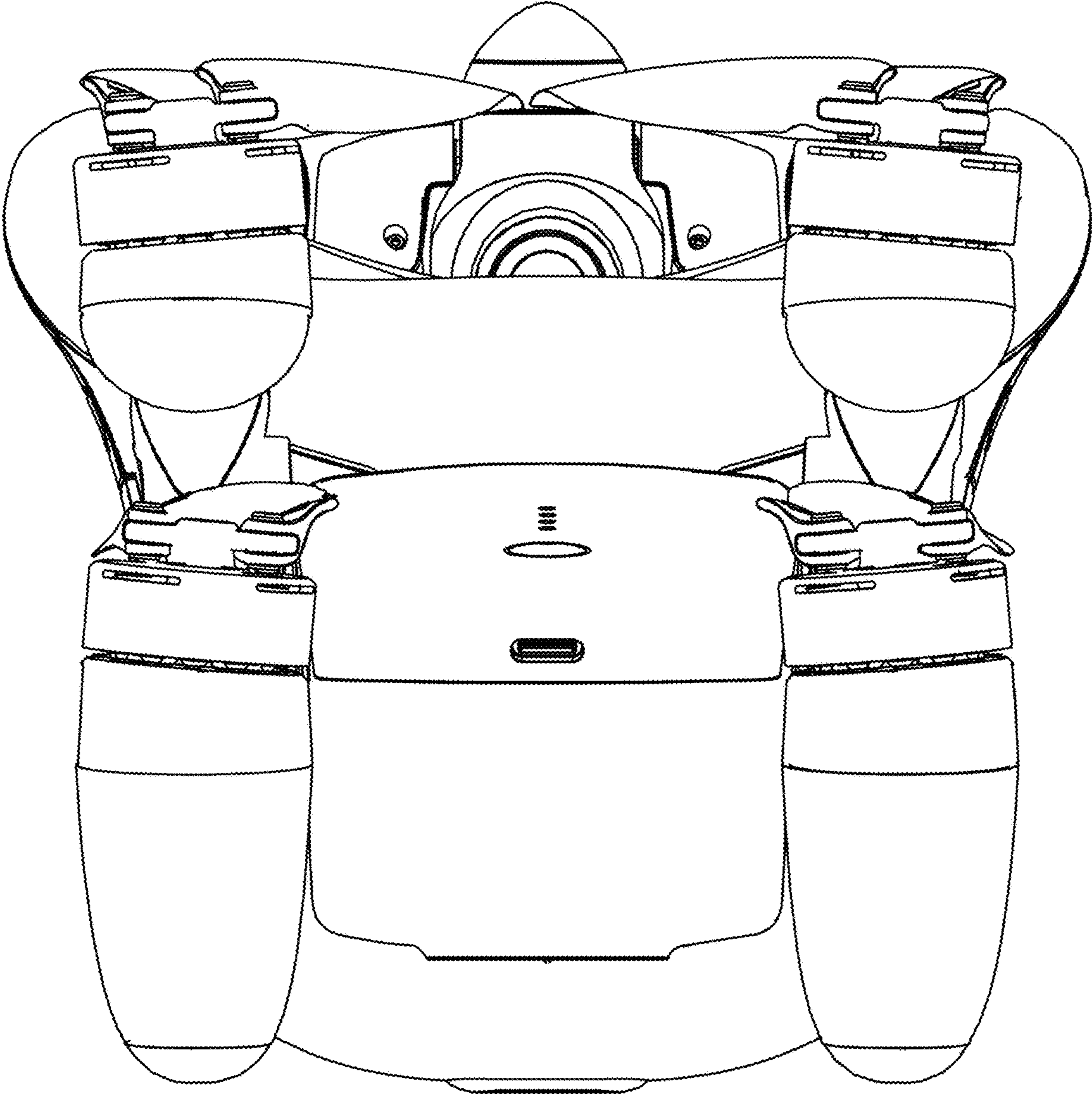
1 Claim, 14 Drawing Sheets



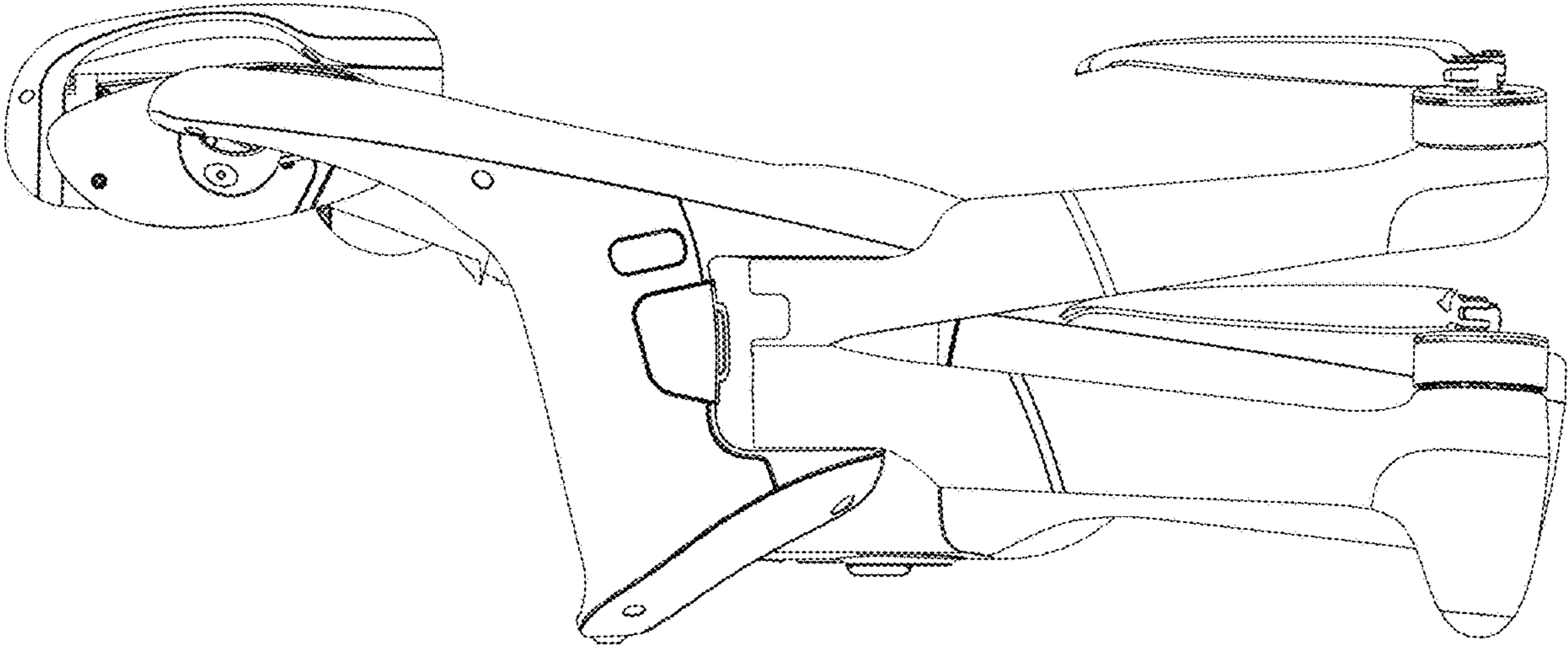
1.1



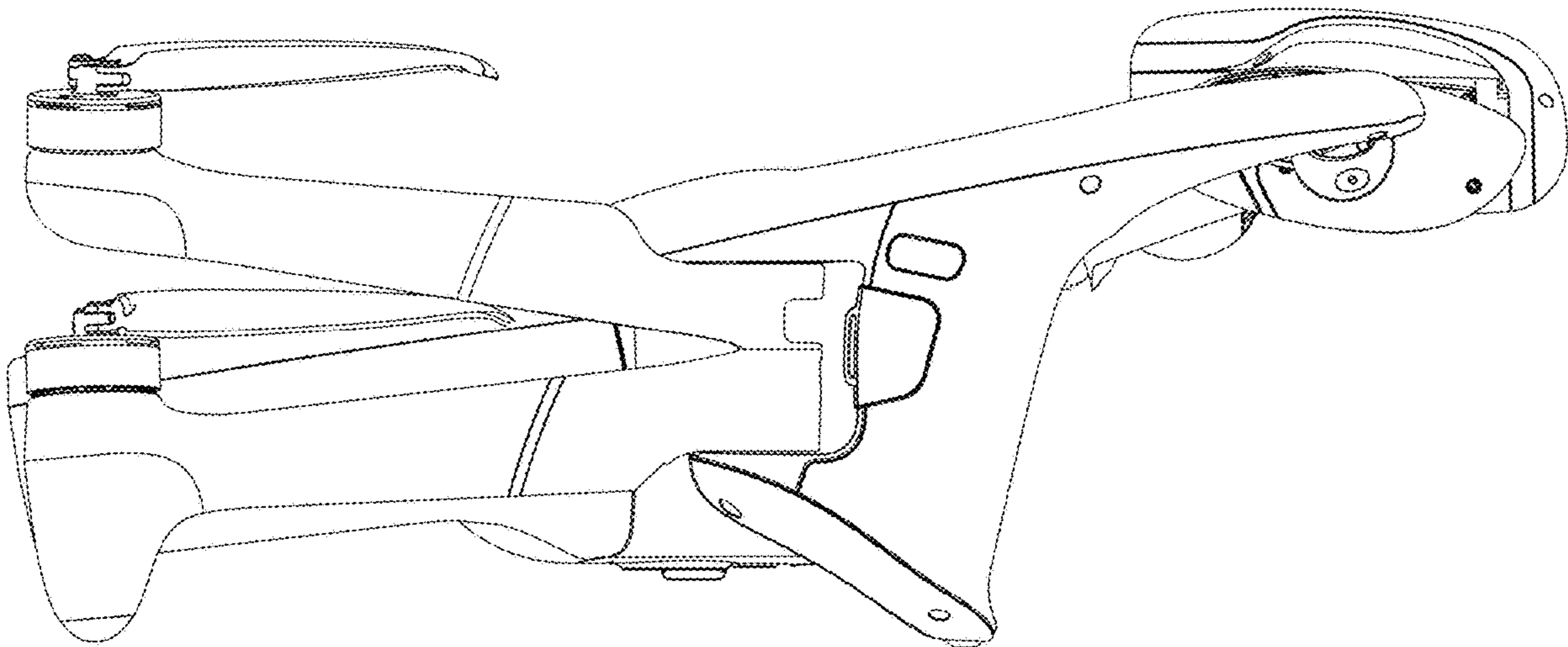
1.2



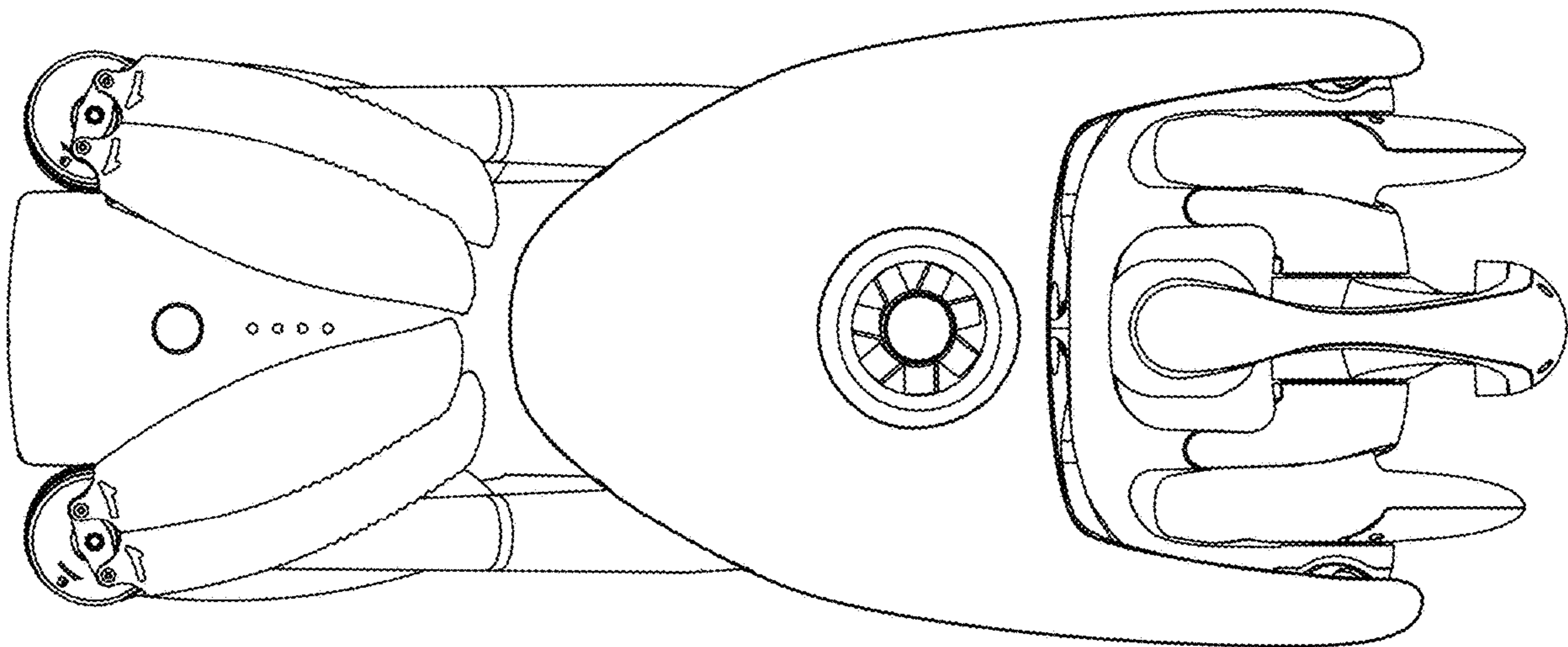
1.3



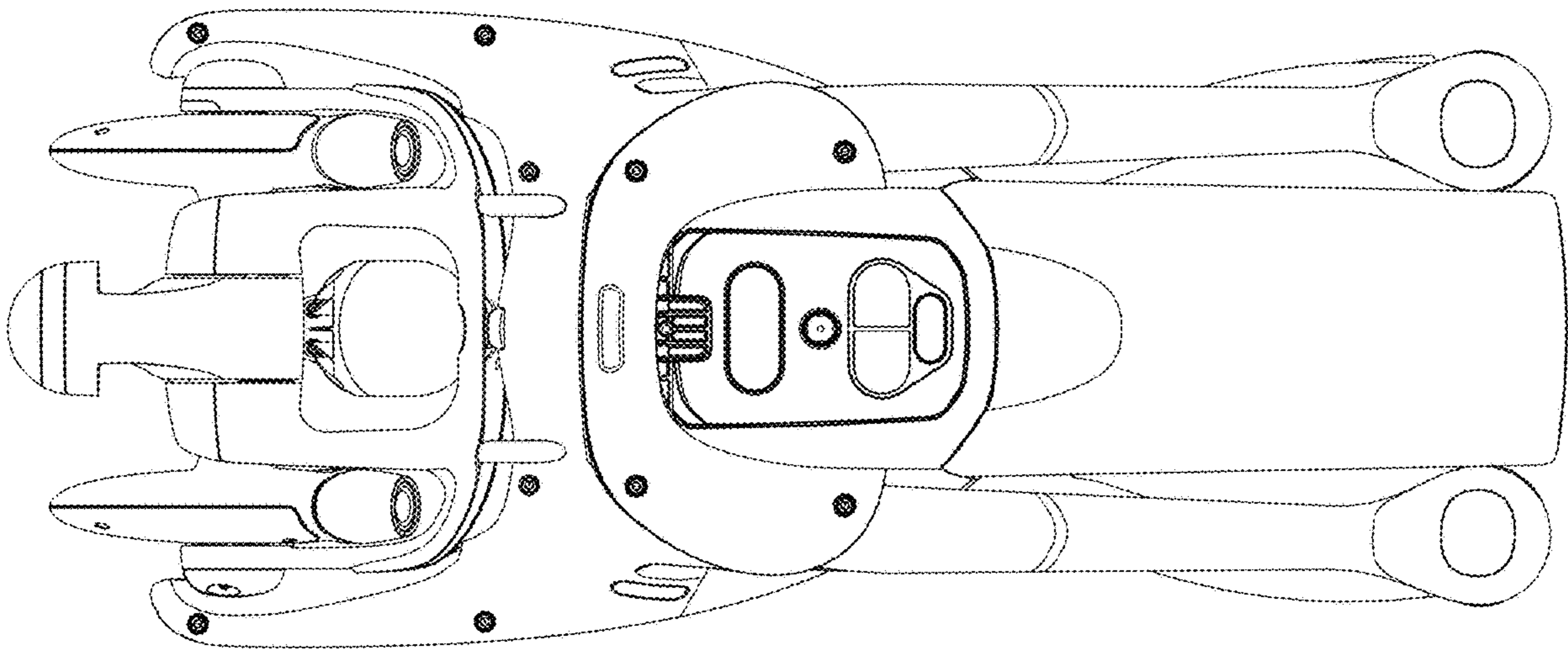
1.4



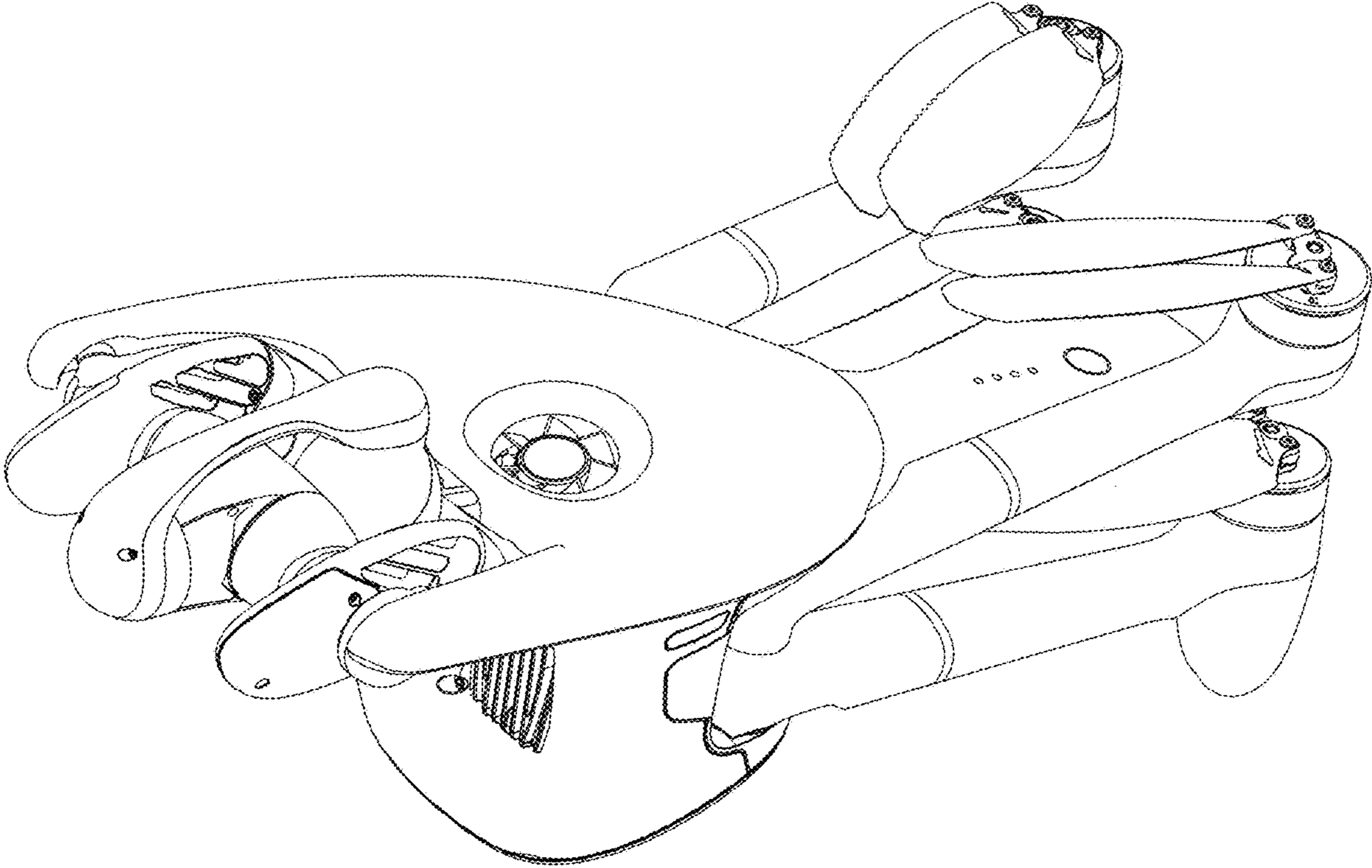
1.5

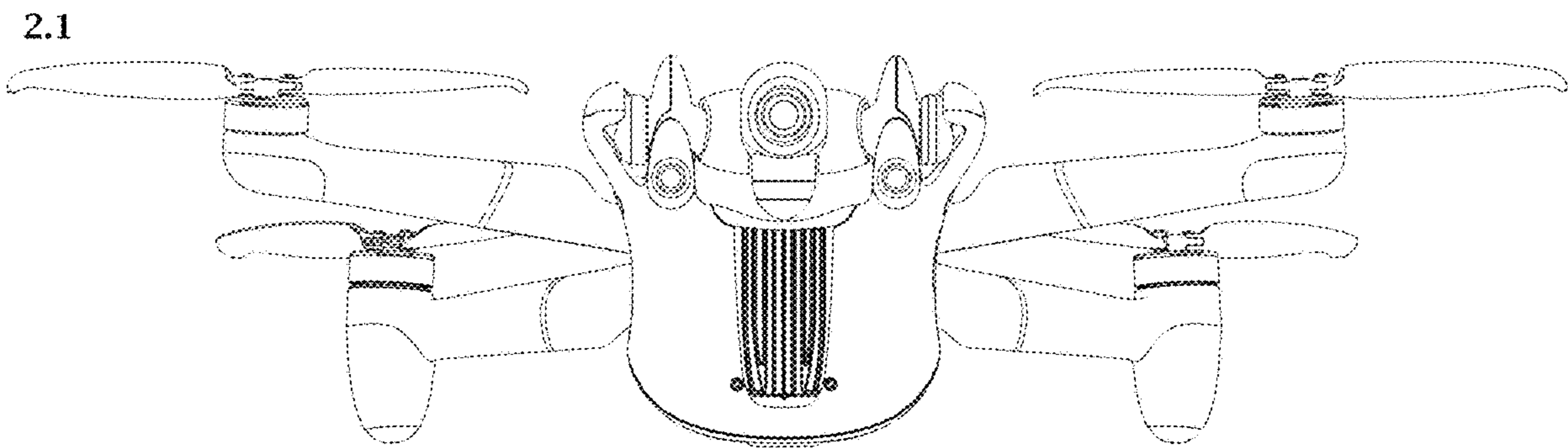


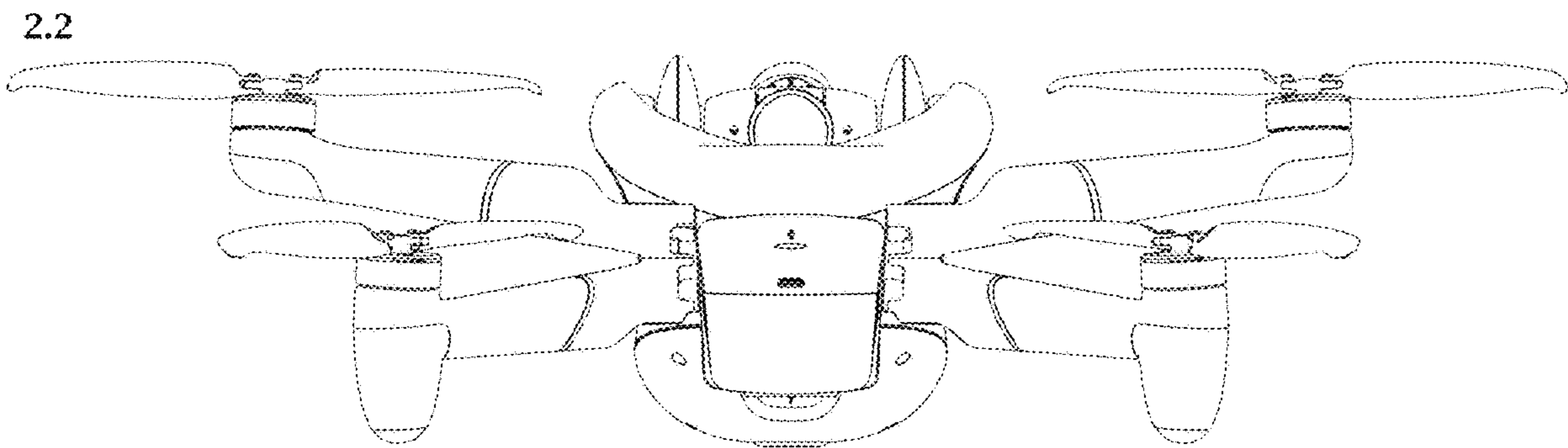
1.6

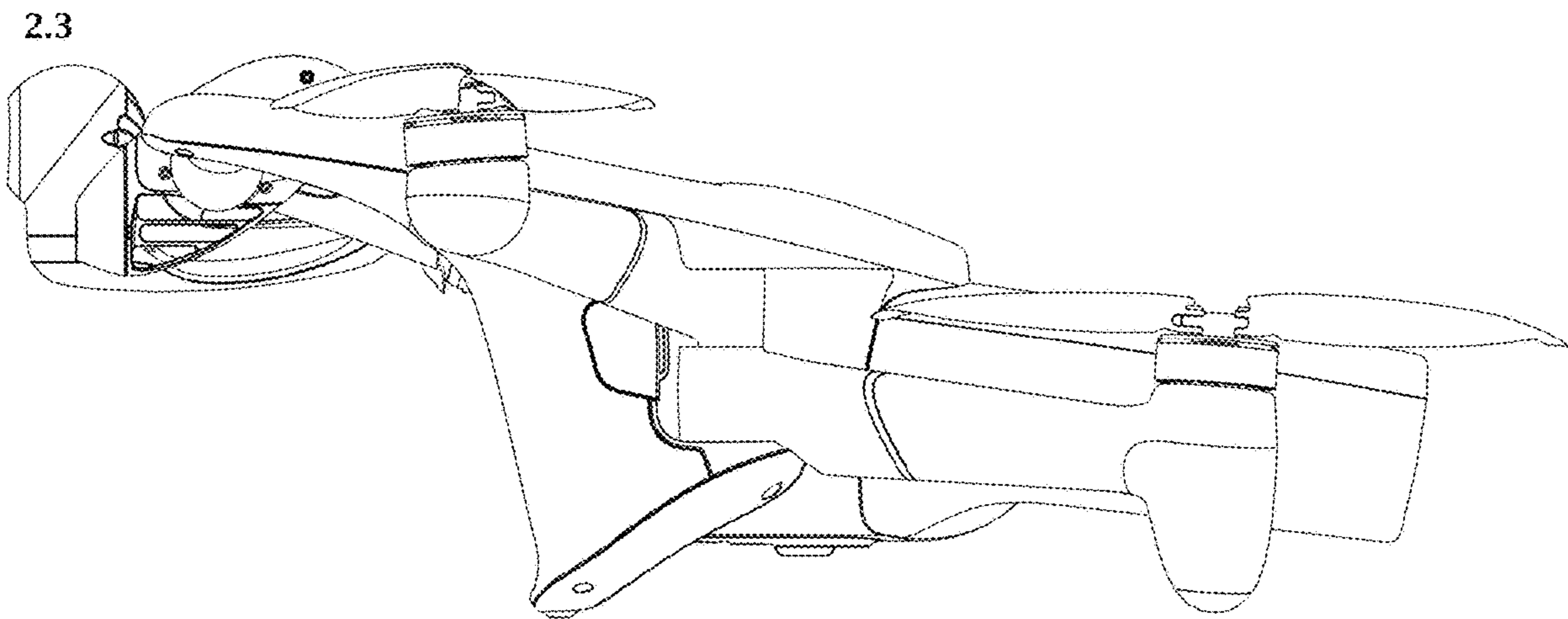


1.7

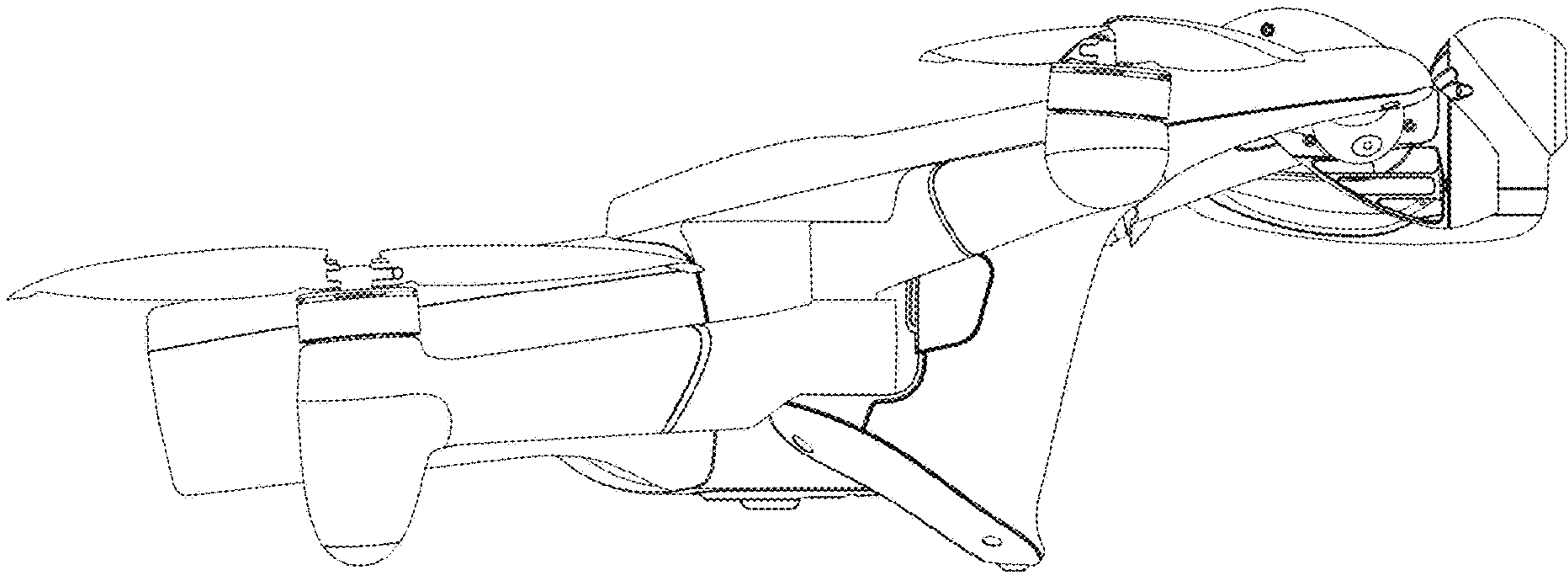




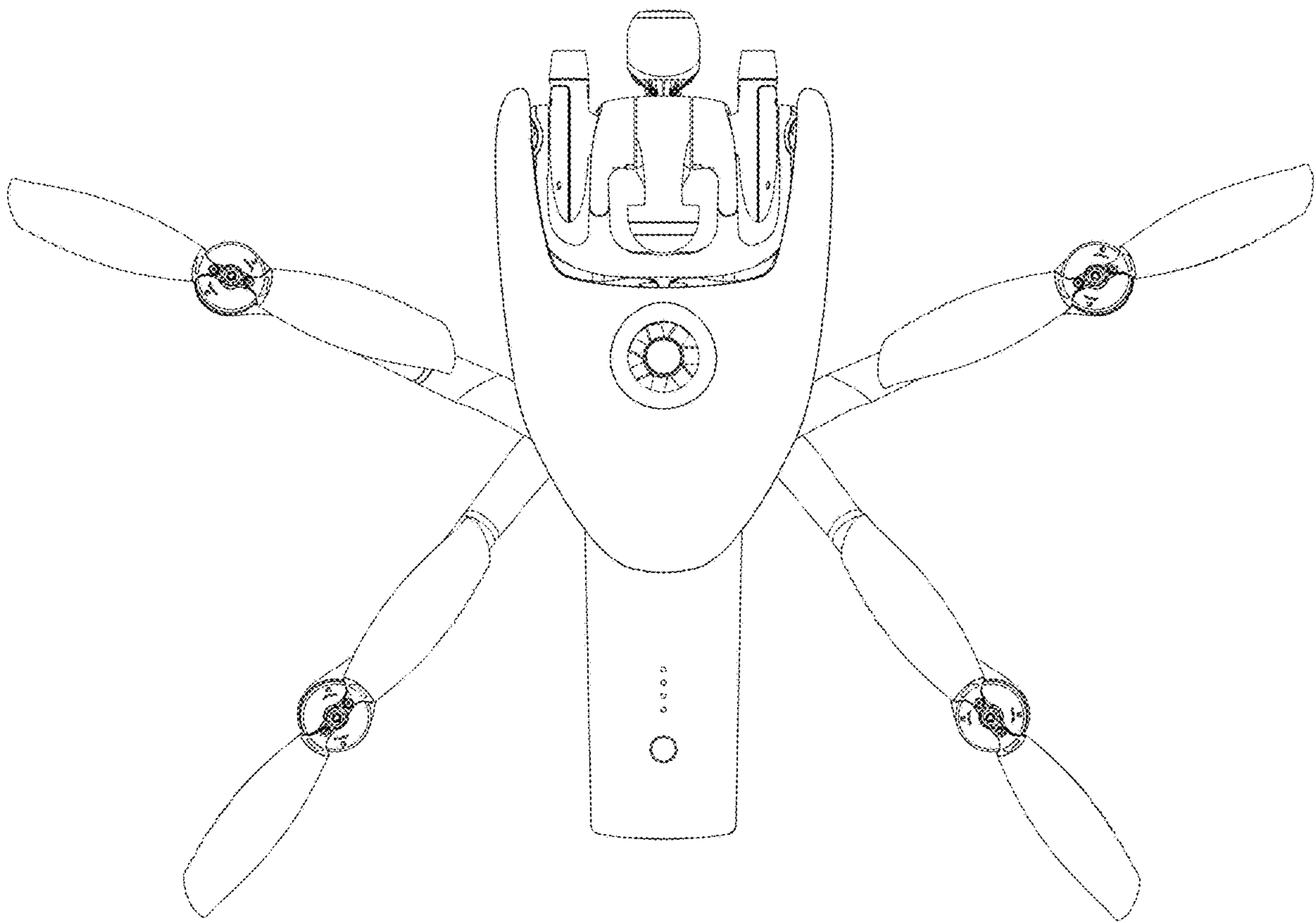




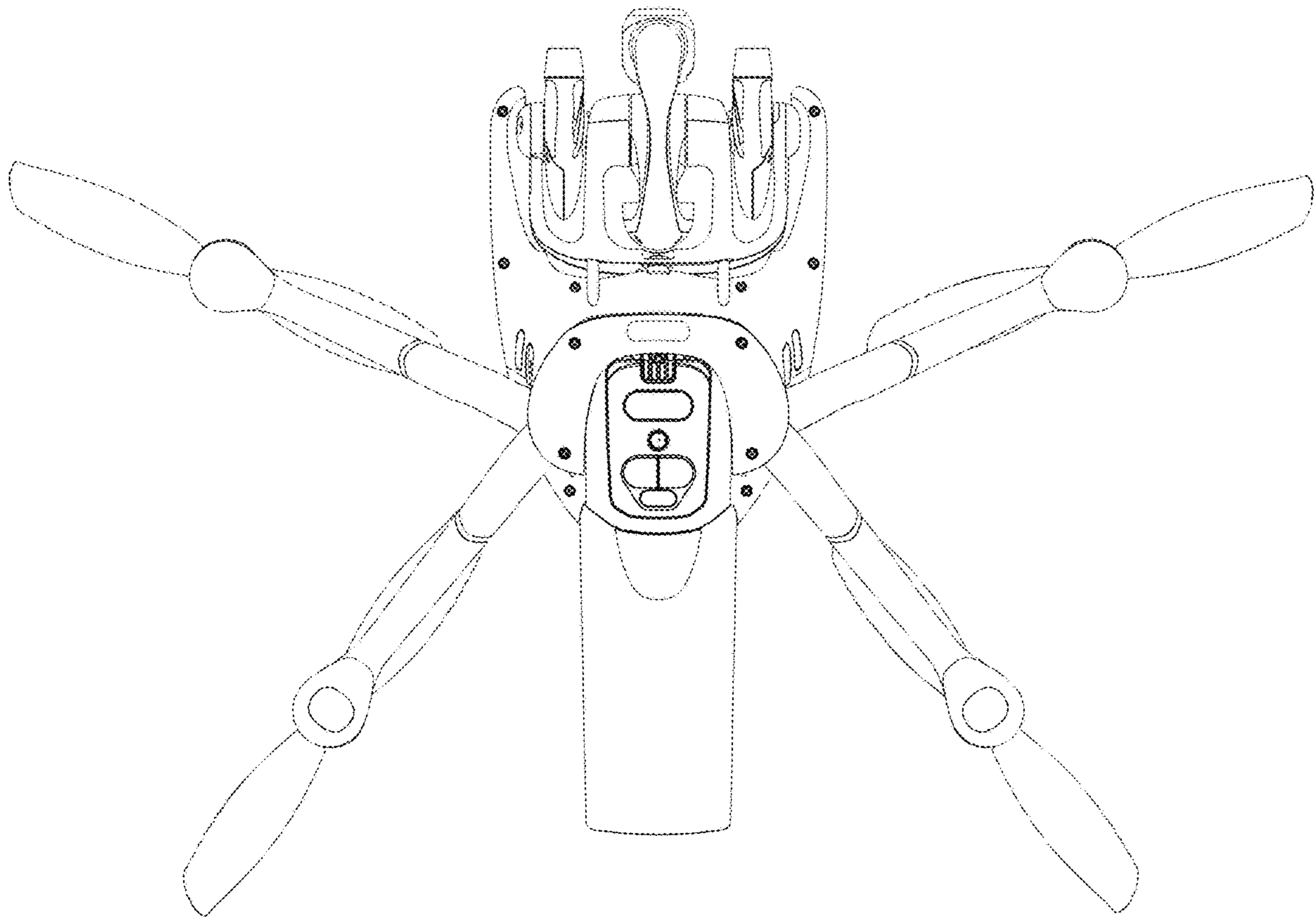
2.4



2.5



2.6



2.7

