



US00D974229S

(12) **United States Design Patent**
Nell

(10) **Patent No.:** **US D974,229 S**
(45) **Date of Patent:** **** Jan. 3, 2023**

- (54) **FRONT COWL FOR A VEHICLE**
- (71) Applicant: **Federico Nell**, Houston, TX (US)
- (72) Inventor: **Federico Nell**, Houston, TX (US)
- (73) Assignee: **296 Holding LLC**, Houston, TX (US)
- (**) Term: **15 Years**
- (21) Appl. No.: **29/792,714**
- (22) Filed: **Apr. 20, 2022**
- (51) **LOC (14) Cl.** **12-08**
- (52) **U.S. Cl.**
USPC **D12/14**
- (58) **Field of Classification Search**
USPC ... D12/1, 14, 16, 82, 84, 85, 86, 87, 88, 89,
D12/90, 91, 92, 93, 94, 96, 97, 98, 99,
D12/100, 107, 164, 167, 169, 170, 171,
D12/172, 173, 181, 184, 185, 190, 192,
D12/196; D21/533, 548, 552, 561
CPC B60Y 2200/10; B60Y 2200/14; B60Y
2200/22; B60Y 2200/41; B60Y 2200/90;
B60Y 2200/91; B60Y 2200/112; B60Y
2200/141; B60Y 2200/142; B60Y
2200/1422; B62D 33/00; B62D 33/06;
B62D 33/077; B62D 33/0604; B62D
33/0612; B62D 31/00; B62D 31/003;
B62D 25/00; B62D 25/08; B62D 25/10;
B62D 25/12; B62D 25/105
See application file for complete search history.

(56) **References Cited**

U.S. PATENT DOCUMENTS

- D548,150 S * 8/2007 Woodard, Jr. D12/173
- D578,433 S 10/2008 Kawaguchi et al.
- D586,694 S 2/2009 Huang et al.
- D591,643 S * 5/2009 Tuo D12/16
- D604,201 S 11/2009 Kawaguchi et al.

- D617,681 S 6/2010 Tuo
- D627,685 S * 11/2010 Liu D12/14
- D665,305 S * 8/2012 Eck B60N 2/01
D12/14
- D699,627 S 2/2014 Tang
- D700,869 S 3/2014 Sato et al.
- D721,012 S 1/2015 Zhang
- D762,141 S 7/2016 Zhou
- D762,517 S * 8/2016 Hashimoto D12/14
- D763,732 S * 8/2016 Okuyama D12/14
- D764,973 S * 8/2016 Mikhailov D12/14
- D809,968 S * 2/2018 Lacock D12/16
- D810,620 S * 2/2018 Lacock D12/16
- D859,210 S * 9/2019 Lyons D12/16
- D886,672 S * 6/2020 Whitfield D12/14
- D953,219 S * 5/2022 Bryan-Dunaway D12/173

* cited by examiner

Primary Examiner — Cary M Robinson

Assistant Examiner — Adam C Mager

(74) *Attorney, Agent, or Firm* — Dunlap Bennett & Ludwig, PLLC

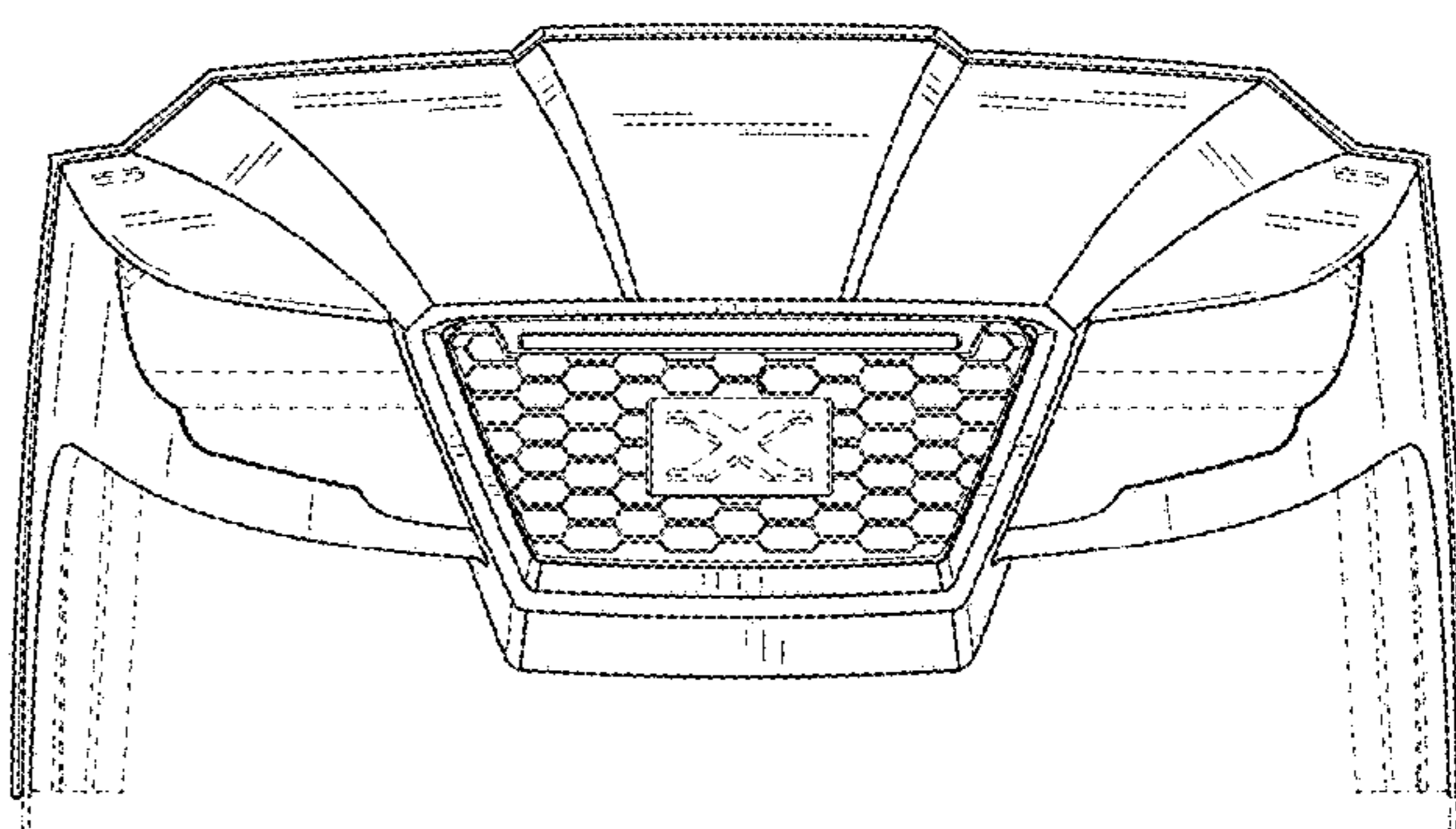
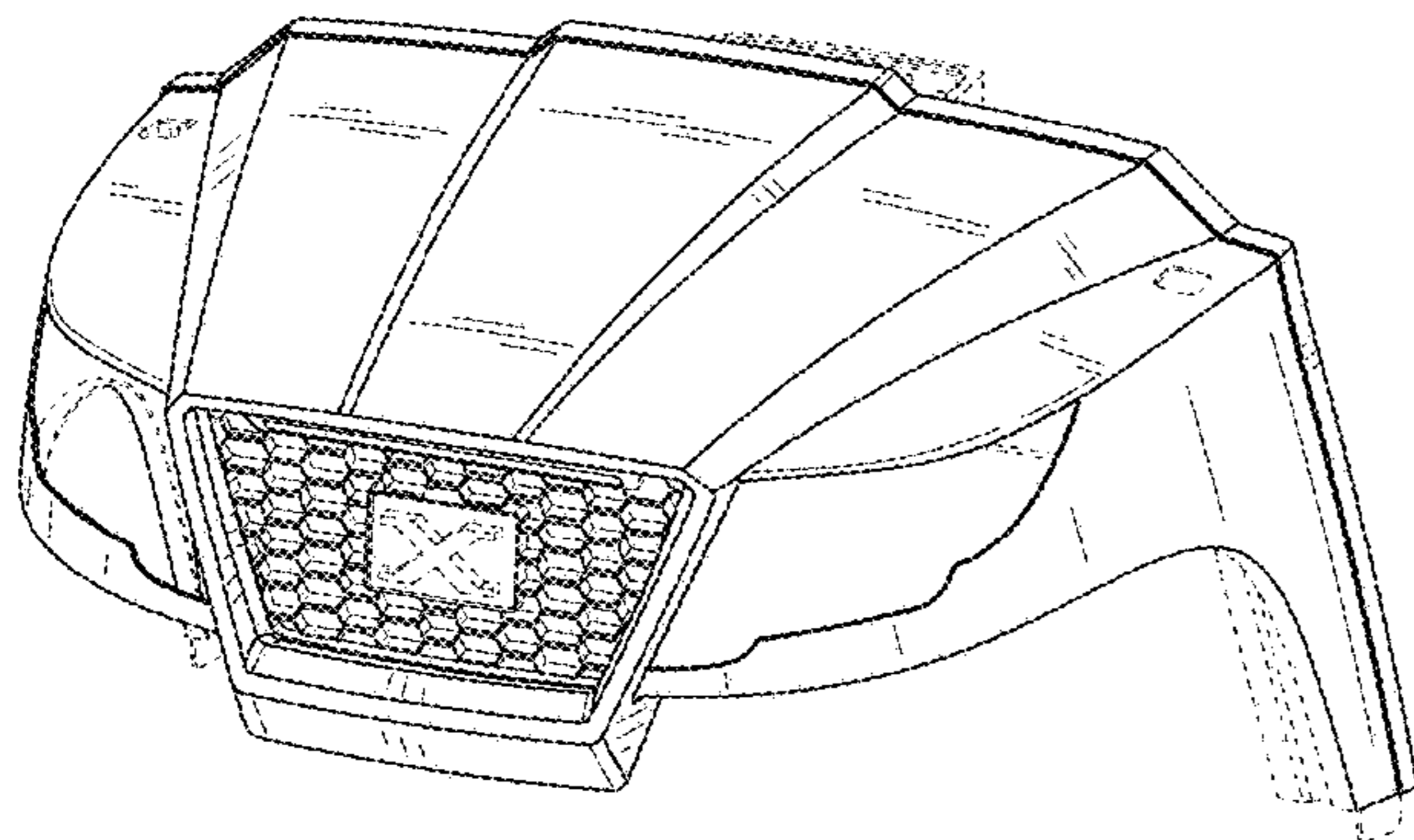
(57) **CLAIM**

The ornamental design for a front cowl for a vehicle, as shown and described.

DESCRIPTION

FIG. 1 is a top front right perspective view of a front cowl for a vehicle, showing my new design, with the top front left perspective view being a mirror image thereof;
 FIG. 2 is a front elevation view thereof;
 FIG. 3 is a rear elevation view thereof;
 FIG. 4 is a left side elevation view thereof, with the right side elevation view being a mirror image thereof;
 FIG. 5 is a top plan view thereof; and,
 FIG. 6 is a bottom plan view thereof.
 The broken lines shown in the drawings depict portions of the front cowl for a vehicle that form no part of the claimed design.

1 Claim, 4 Drawing Sheets



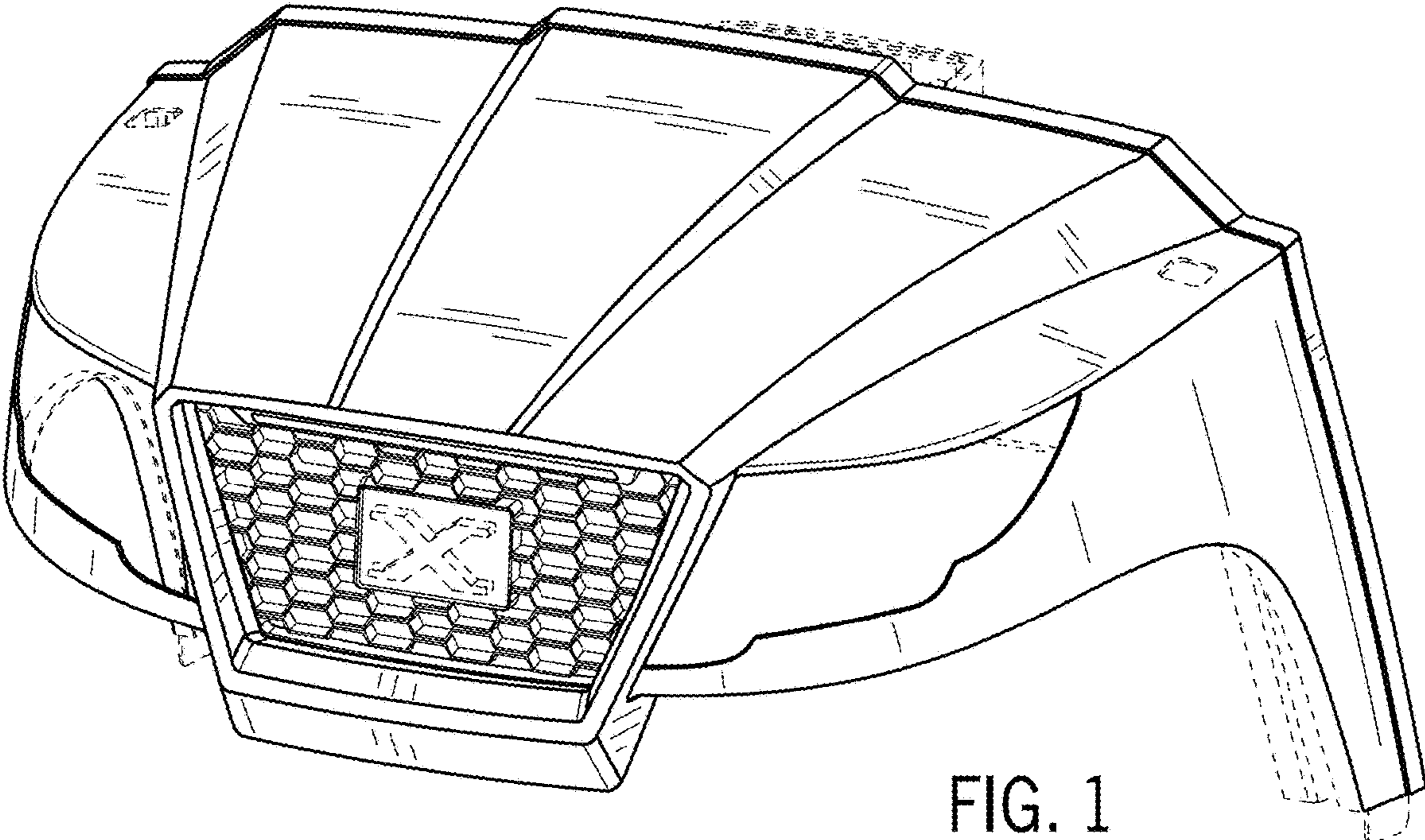


FIG. 1

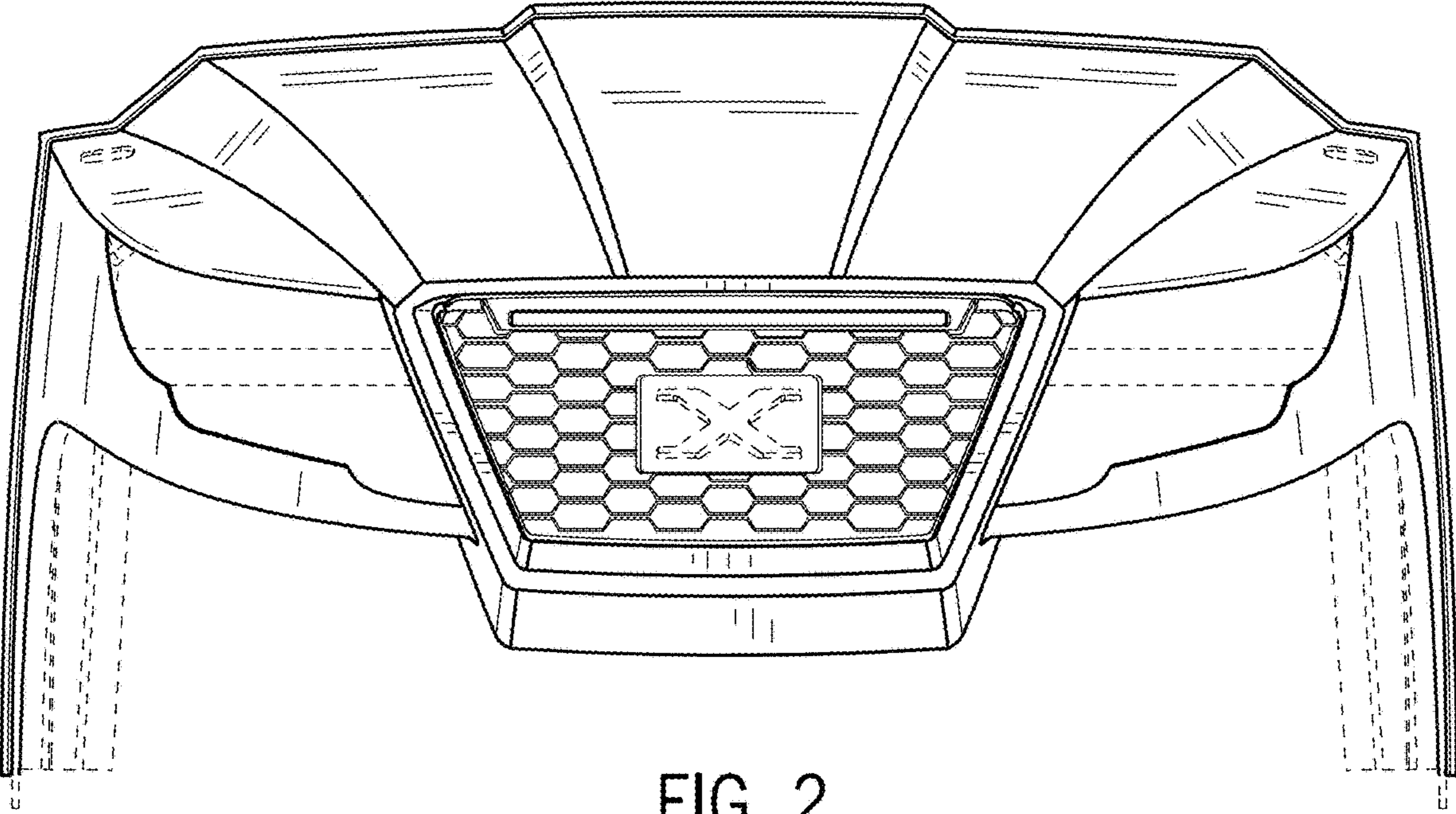


FIG. 2

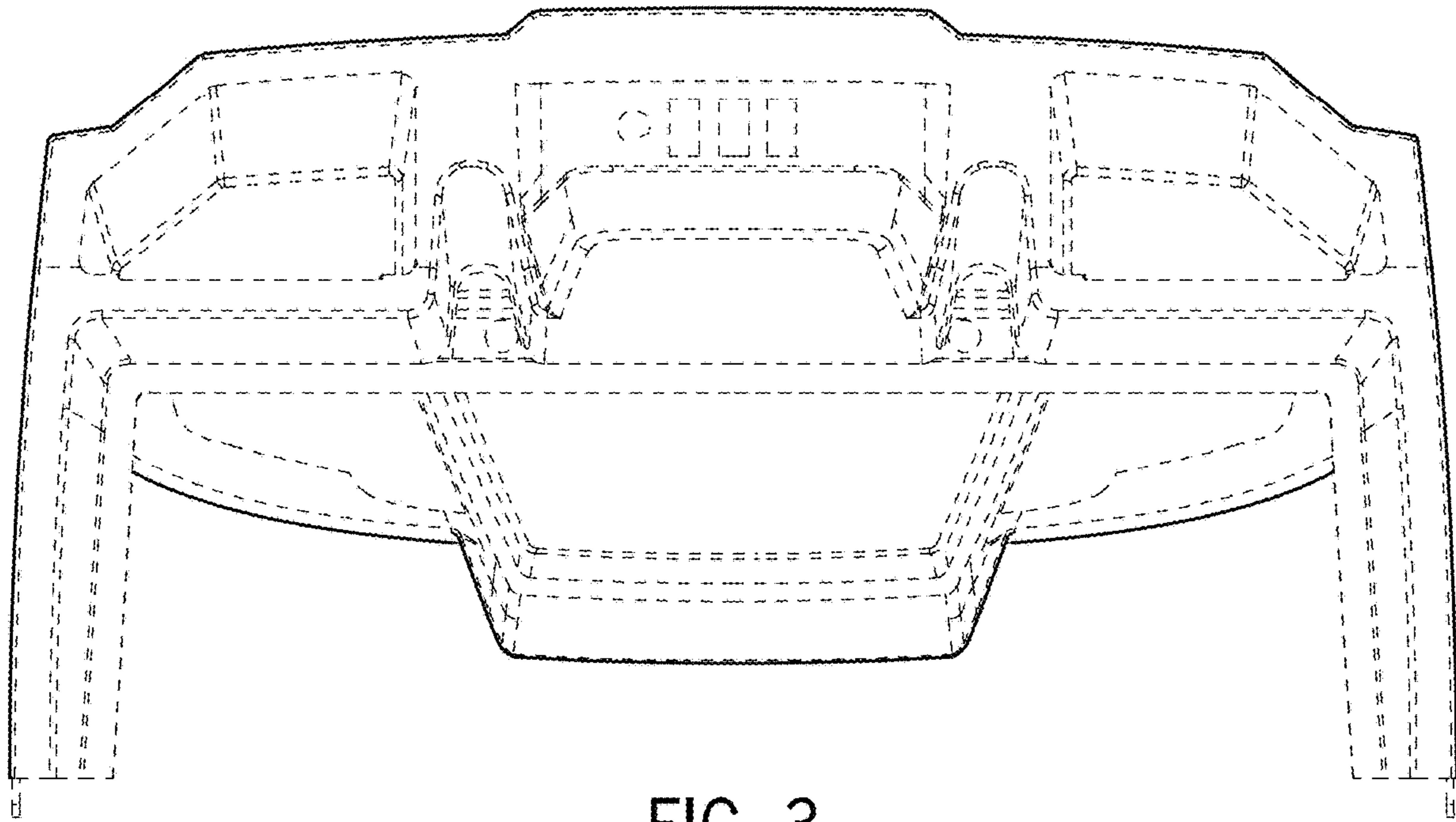


FIG. 3

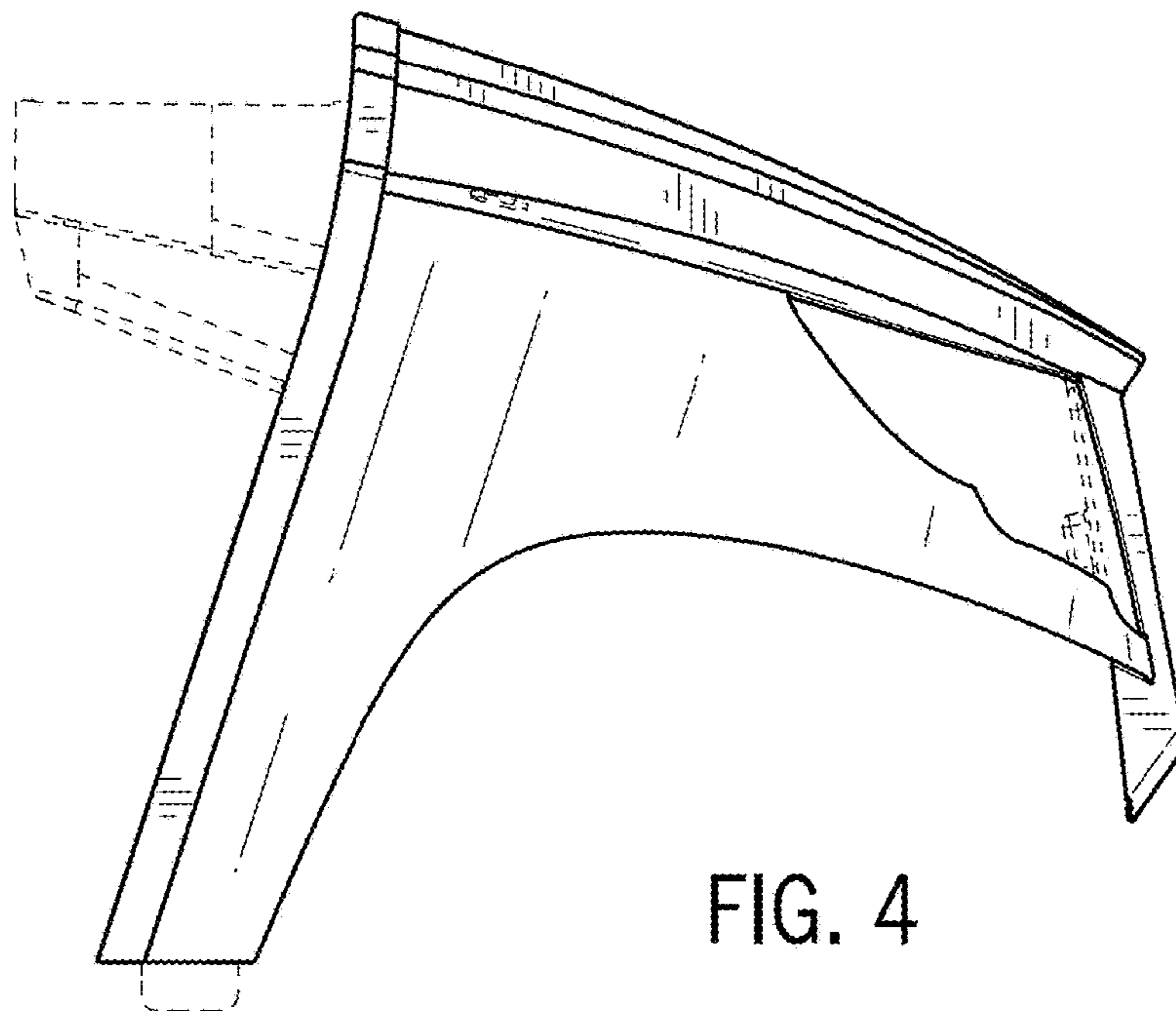


FIG. 4

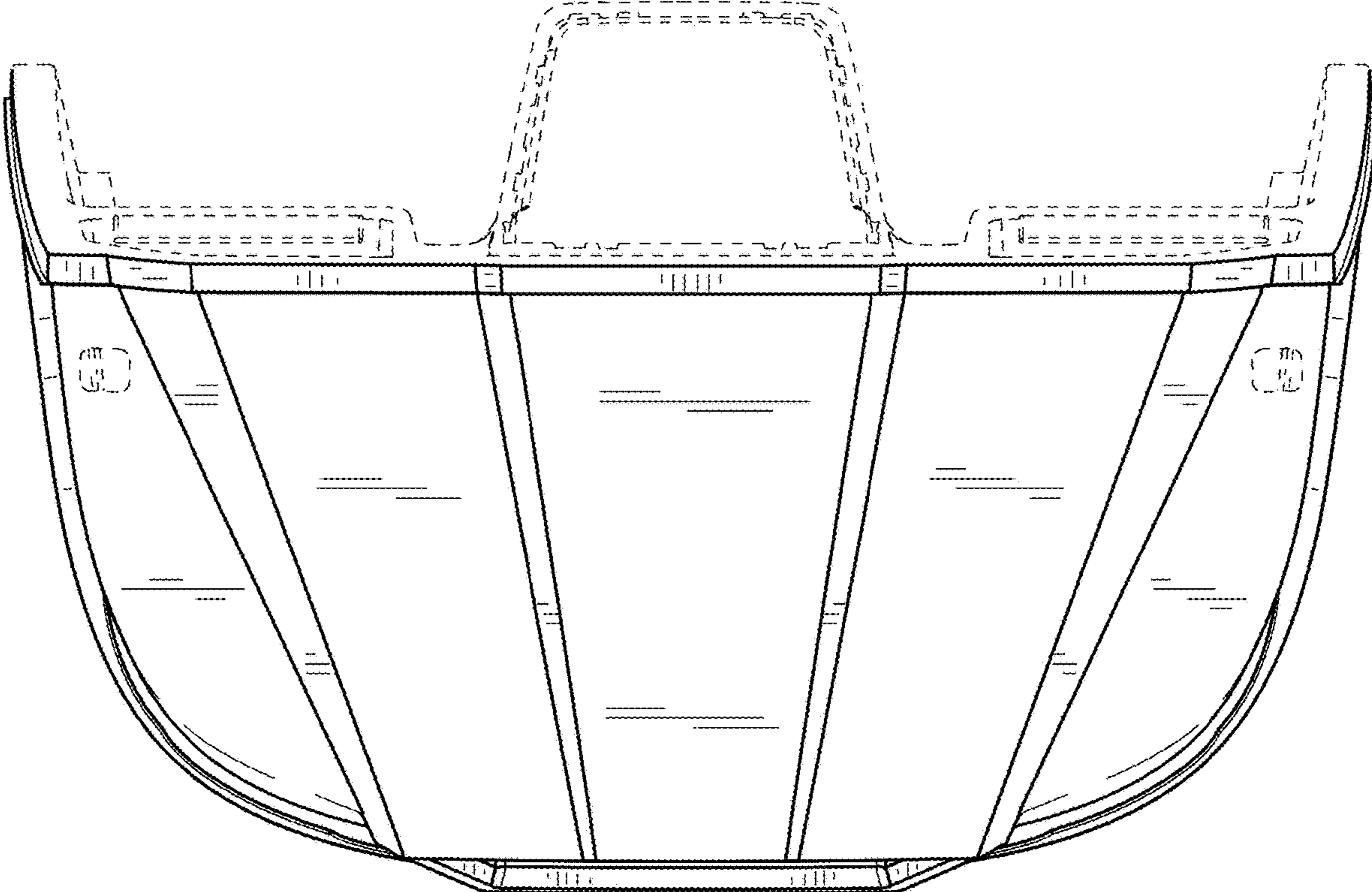


FIG. 5

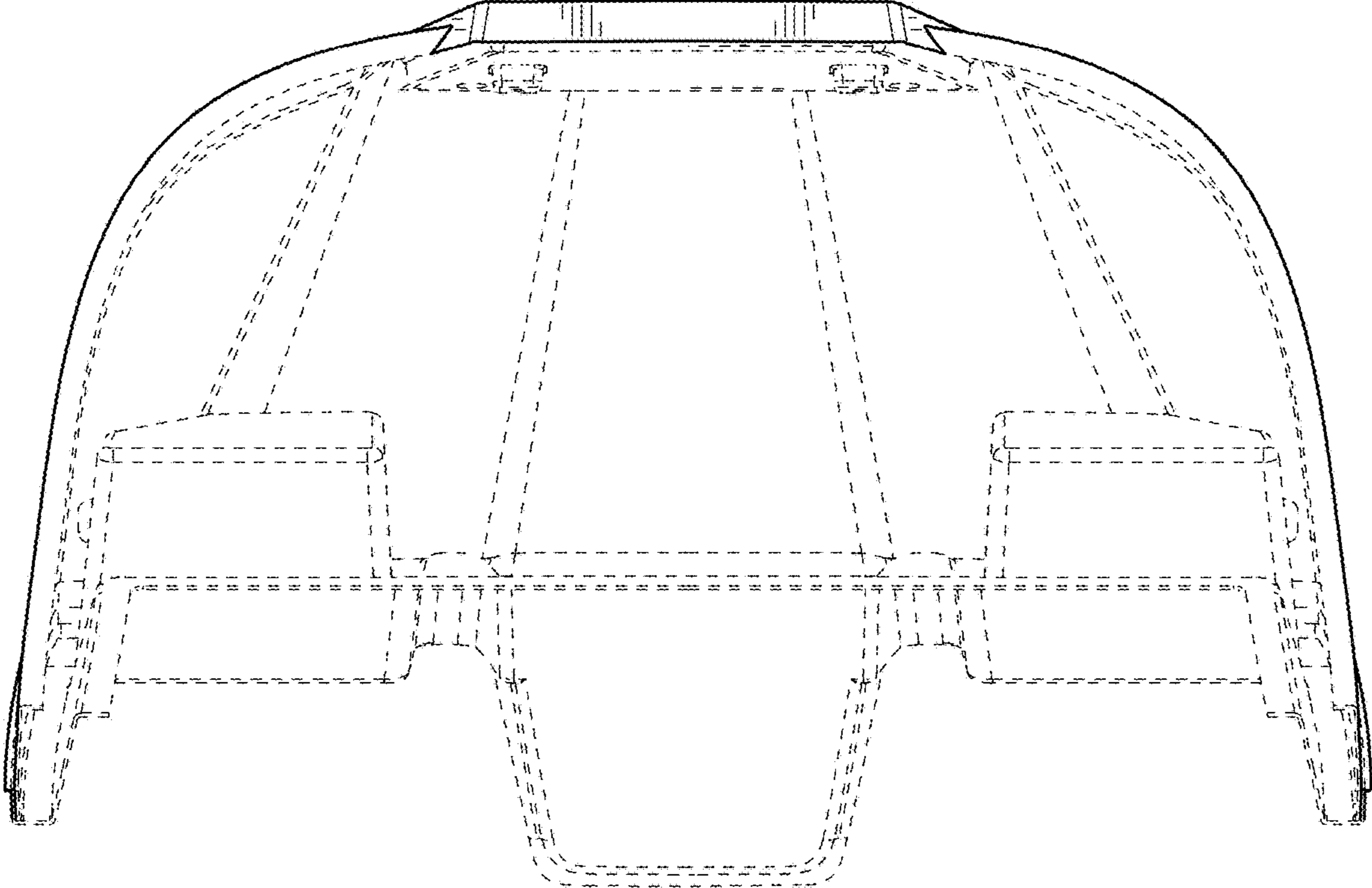


FIG. 6