



US00D974224S

(12) **United States Design Patent** (10) **Patent No.:** **US D974,224 S**  
**Lu** (45) **Date of Patent:** **\*\* Jan. 3, 2023**

(54) **WIND SPINNER**  
(71) Applicant: **Jiahui Lu**, Jiangmen (CN)  
(72) Inventor: **Jiahui Lu**, Jiangmen (CN)  
(\*\*) Term: **15 Years**  
(21) Appl. No.: **29/827,175**  
(22) Filed: **Feb. 17, 2022**  
(51) **LOC (14) Cl.** ..... **11-99**  
(52) **U.S. Cl.**  
USPC ..... **D11/131; D21/458**  
(58) **Field of Classification Search**  
USPC ..... D11/131, 157; D21/414, 458, 483;  
D13/115  
CPC ..... A63H 33/40; A63H 33/007; A63H 1/06;  
A63H 7/04; A63H 1/20; A63H 1/30;  
A63B 19/00; A63B 67/16; A63F 7/38  
See application file for complete search history.

(56) **References Cited**

U.S. PATENT DOCUMENTS

1,583,881 A \* 5/1926 Heberling ..... A63H 33/40  
446/218  
2,098,107 A \* 11/1937 Preston ..... F04D 29/382  
416/214 R  
2,510,336 A \* 6/1950 Donahue ..... A63H 33/40  
446/217  
D201,657 S \* 7/1965 Lewis ..... D21/458  
D253,776 S \* 12/1979 Molenaar ..... D21/458  
4,582,497 A \* 4/1986 Lyons ..... A63H 33/40  
D21/458  
D331,785 S \* 12/1992 Mast ..... D21/458  
D441,316 S \* 5/2001 Burghoffer ..... D11/184  
6,530,816 B1 \* 3/2003 Chiu ..... A63H 33/40  
446/217  
6,575,585 B2 \* 6/2003 Nelson ..... F21V 33/008  
362/276  
6,716,082 B1 \* 4/2004 Chen Pan ..... A63H 33/40  
446/236  
D587,195 S 2/2009 van Wijck

D626,505 S 11/2010 Sonne  
8,753,168 B2 \* 6/2014 Kessler ..... A63H 33/22  
446/217  
D708,136 S \* 7/2014 Eguizabal Garcia ..... D13/115  
D722,965 S \* 2/2015 Perless ..... D13/115  
9,148,996 B2 \* 10/2015 Qiu ..... F21V 21/0824  
D756,262 S 5/2016 Lee  
9,808,735 B2 \* 11/2017 Qiu ..... F21V 23/0464  
D854,625 S \* 7/2019 Hendrickson-Santospago .....  
D21/458  
2013/0252507 A1 \* 9/2013 Kessler ..... A63H 33/22  
446/217  
2015/0092399 A1 \* 4/2015 Qiu ..... F21S 9/03  
362/183

(Continued)

OTHER PUBLICATIONS

LimeHill Wind Spinner, Copper Spherical, Amazon.com, relevant art; not prior art.\*

(Continued)

*Primary Examiner* — Philip S Hyder

(74) *Attorney, Agent, or Firm* — Che-Yang Chen; Law Office of Michael Chen

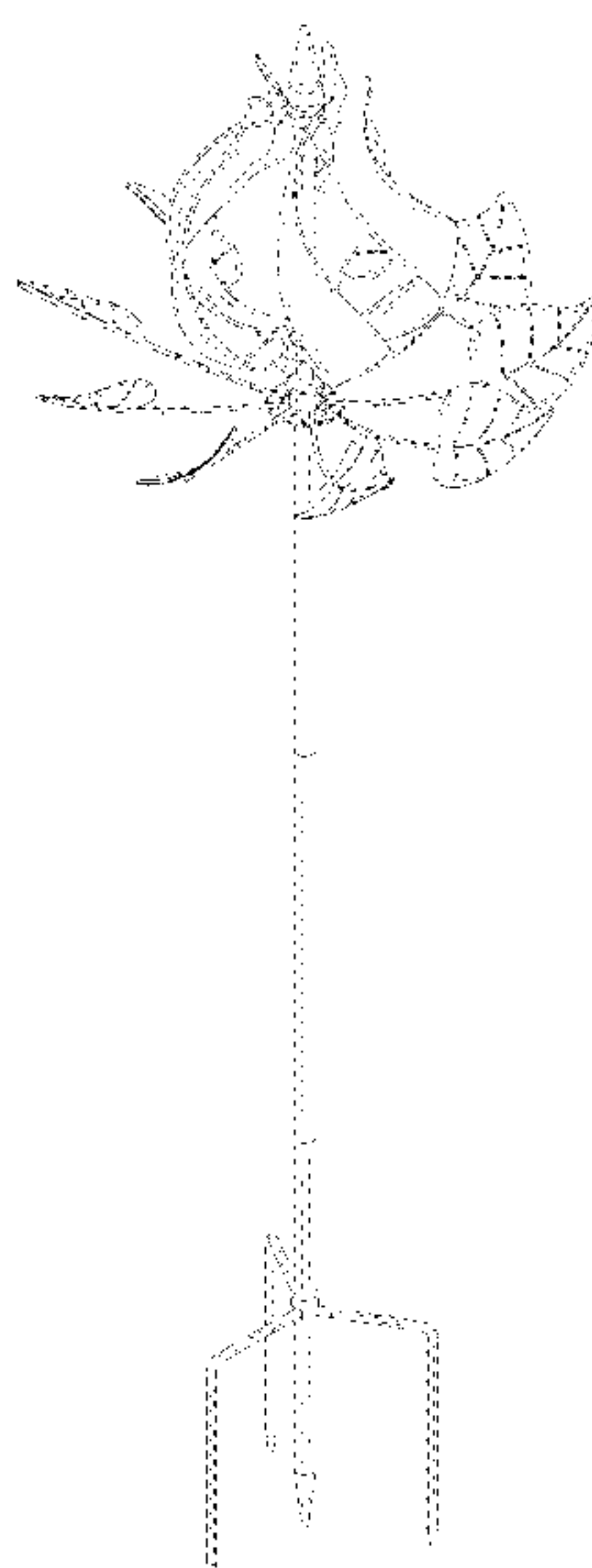
(57) **CLAIM**

The ornamental design for a wind spinner, as shown and described.

**DESCRIPTION**

FIG. 1 is a perspective view of the wind spinner showing my new design;  
FIG. 2 is a front elevational view thereof;  
FIG. 3 is a rear elevational view thereof;  
FIG. 4 is a left side elevational view thereof;  
FIG. 5 is a right side elevational view thereof;  
FIG. 6 is a top plan view thereof;  
FIG. 7 is a bottom plan view thereof; and,  
FIG. 8 is a partial enlarged view of portion 8 in FIG. 2.

**1 Claim, 8 Drawing Sheets**



(56)

**References Cited**

U.S. PATENT DOCUMENTS

2015/0104321 A1\* 4/2015 Deale ..... A63H 33/40  
416/223 R  
2017/0304736 A1\* 10/2017 Holder ..... A63H 3/50  
2018/0015381 A1\* 1/2018 Maguire ..... B05B 3/0468  
2018/0015384 A1\* 1/2018 Maguire ..... A63H 29/10  
2018/0339240 A1\* 11/2018 Maguire ..... A63H 33/40

OTHER PUBLICATIONS

LimeHill Wind Spinner, Blue Lotus, Amazon.com, relevant art; not prior art.\*  
LimeHill Wind Spinner, Confetti, Amazon.com, relevant art; not prior art.\*  
LimeHill Wind Spinner, Multi-color, Amazon.com, relevant art; not prior art.\*  
LimeHill Wind Spinner, Lotus, Amazon.com, relevant art; not prior art.\*  
Cyan Oasis Wind Spinner, Copper Teal, Amazon.com, relevant art; not prior art.\*  
Cyan Oasis Wind Spinner, Large Copper, Tulip, Amazon.com, relevant art; not prior art.\*  
SteadyDoogie Wind Spinner, Green, Amazon.com, relevant art; not prior art.\*

\* cited by examiner

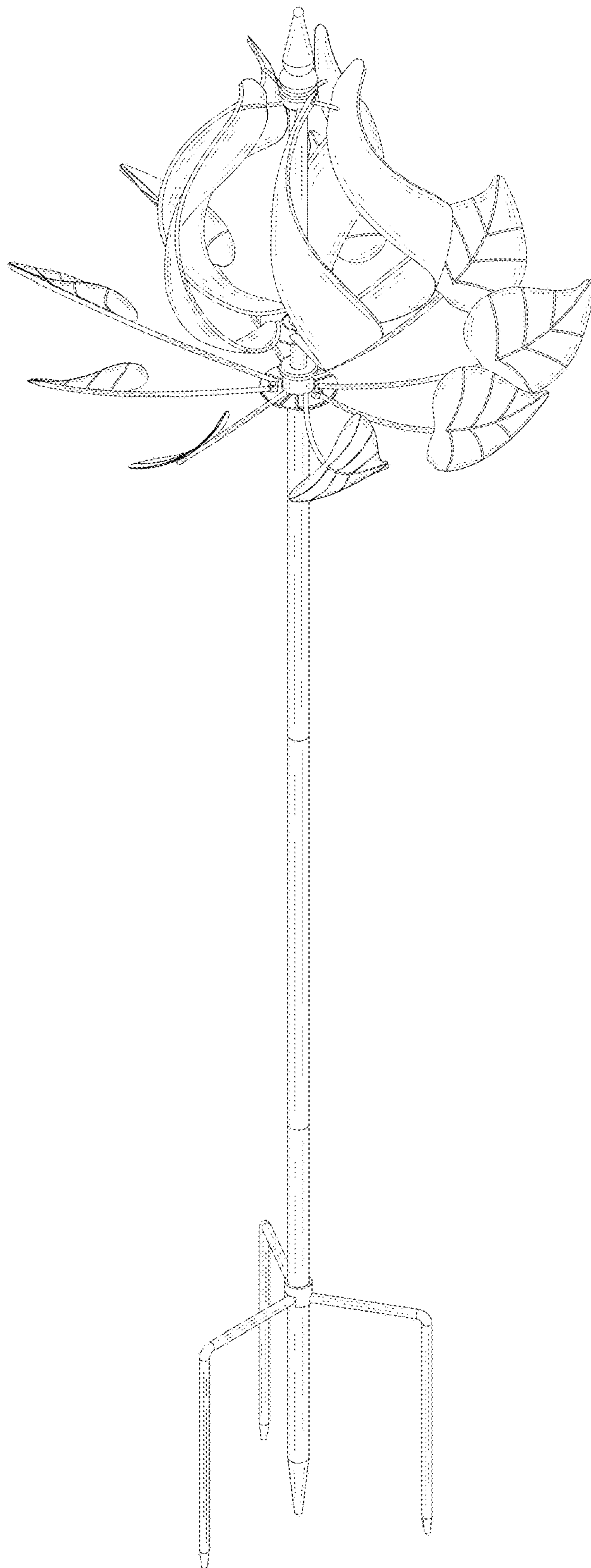


FIG.1

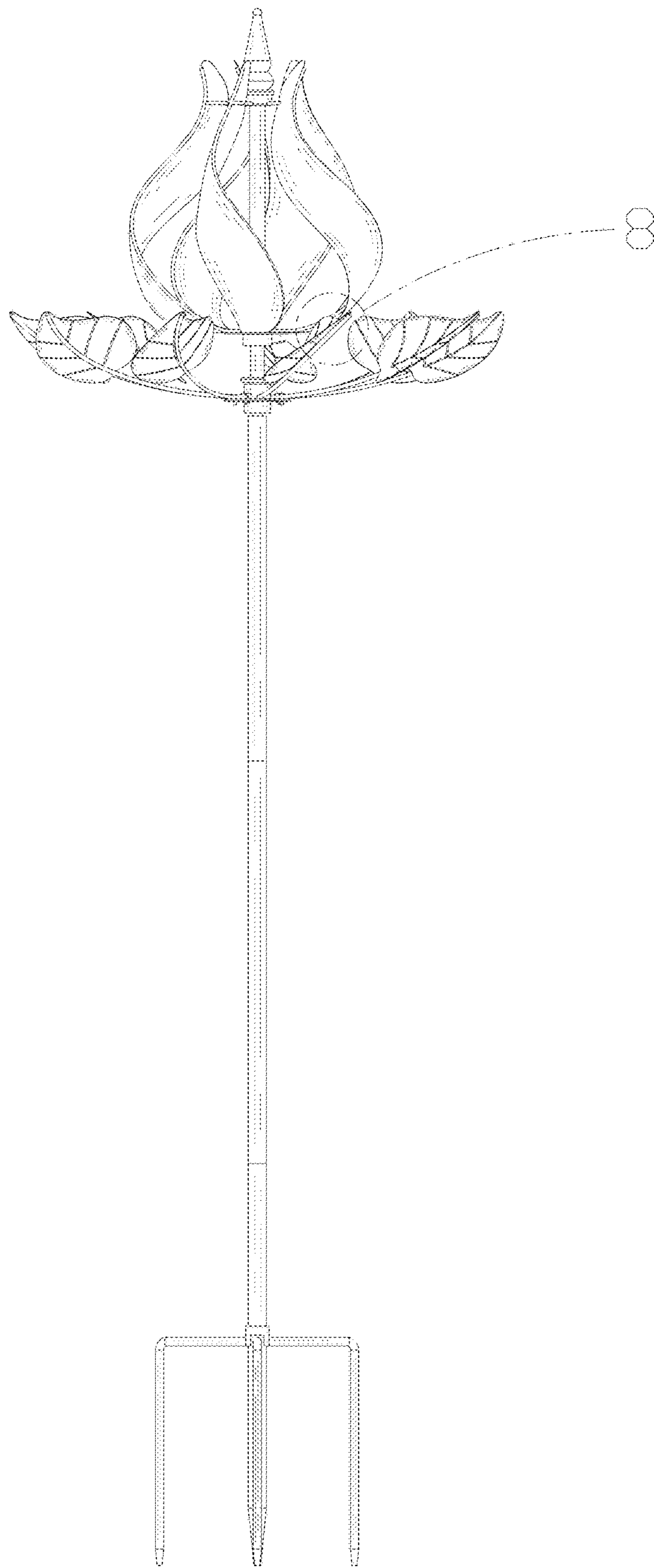


FIG.2

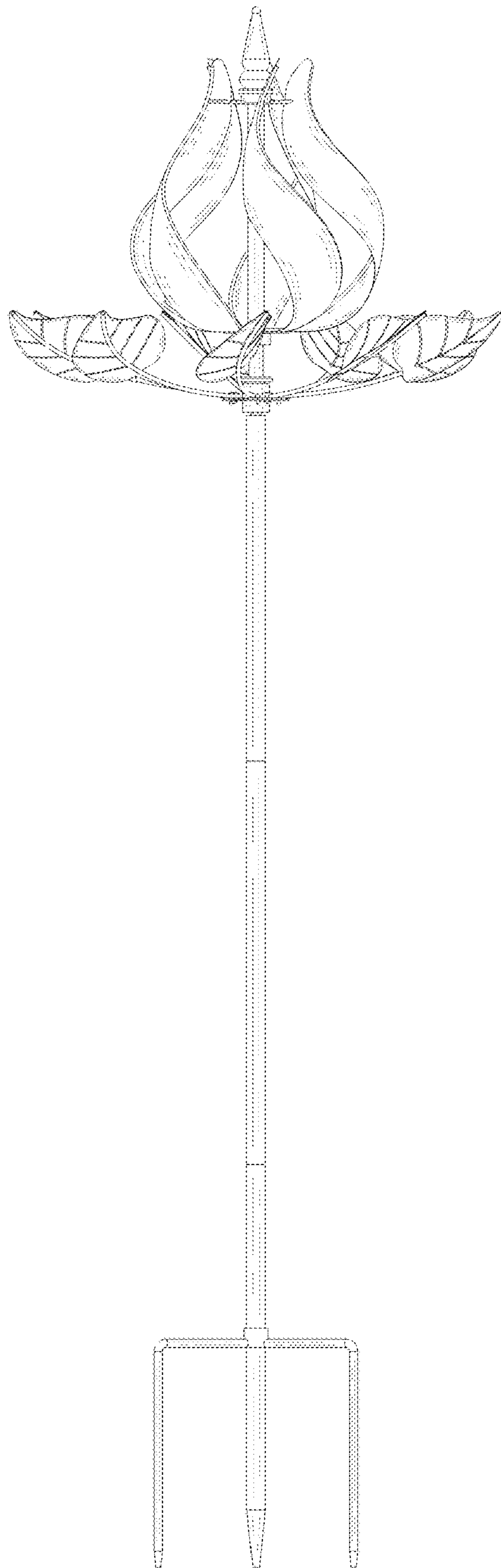


FIG. 3

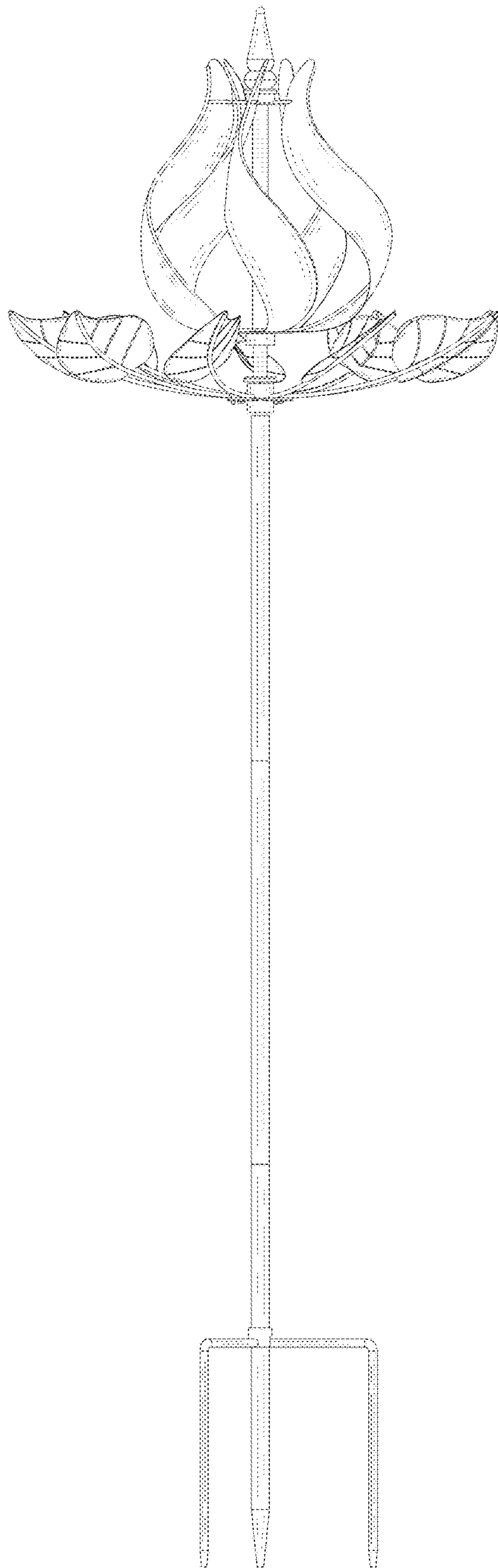


FIG. 4



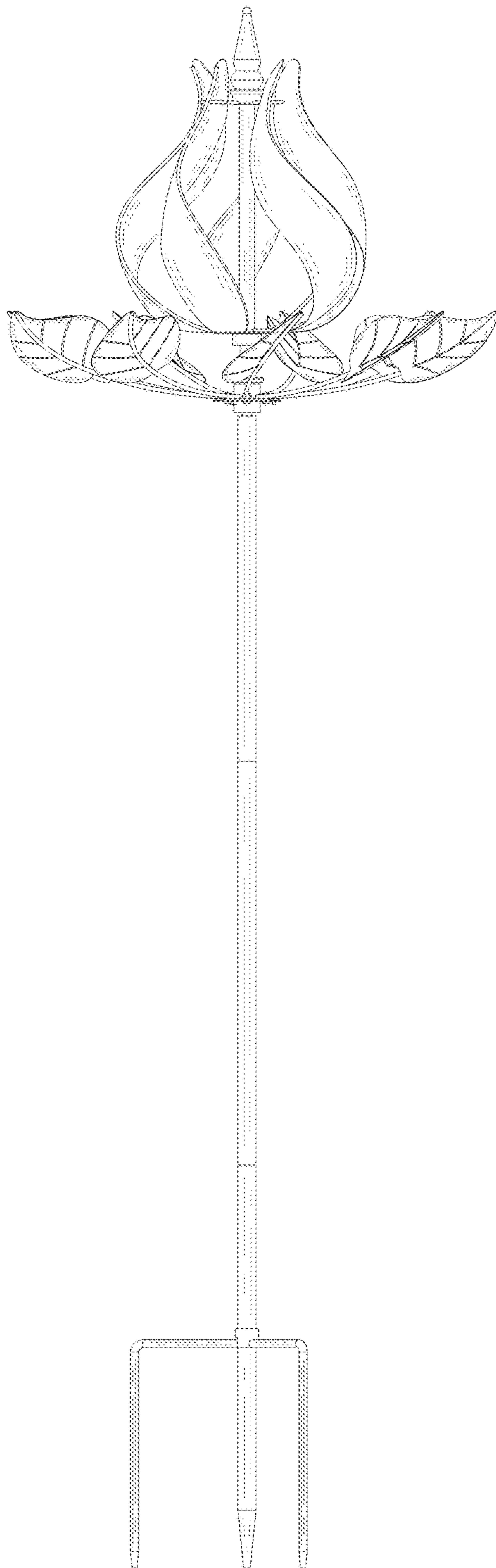


FIG. 5

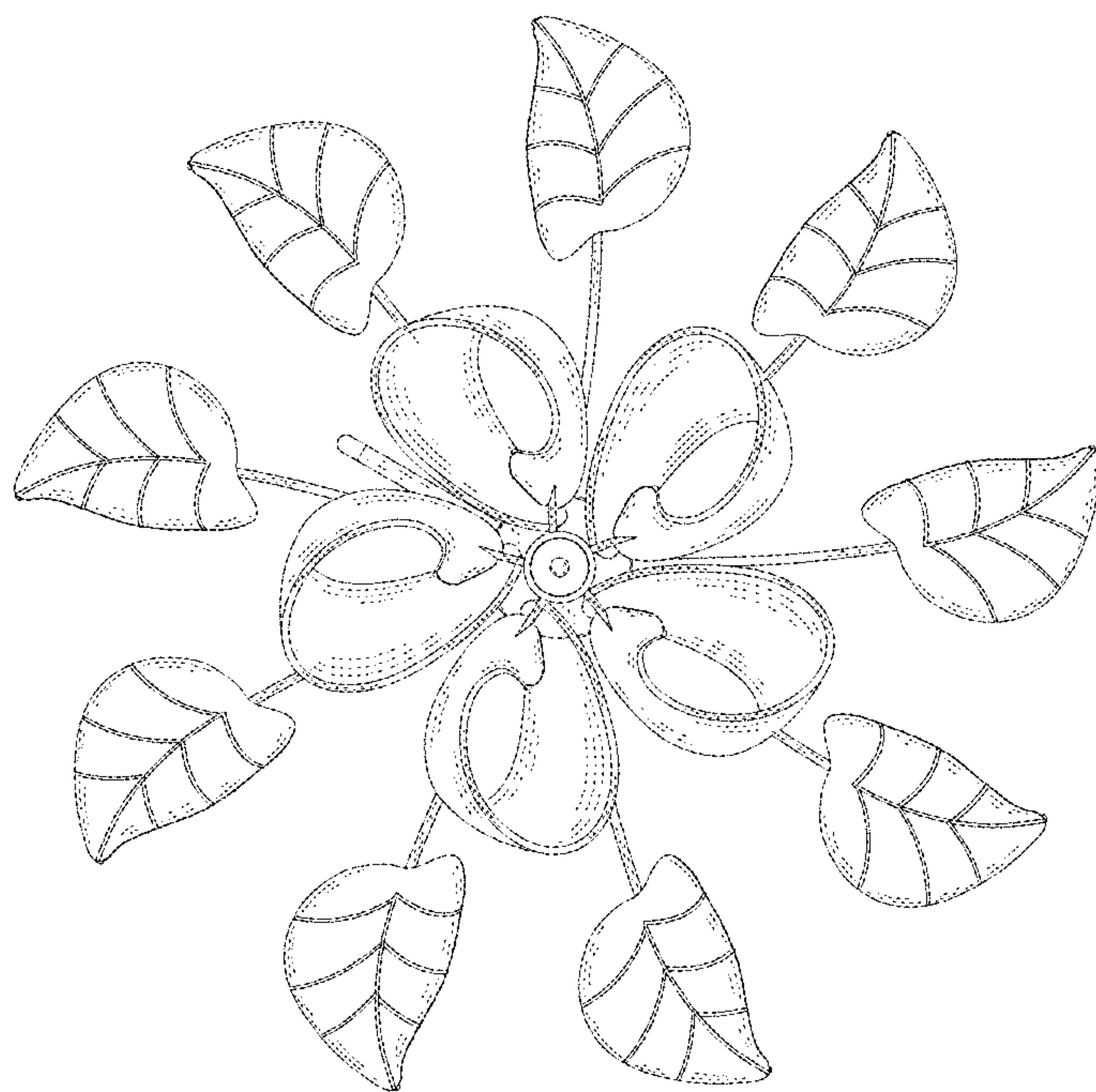


FIG.6



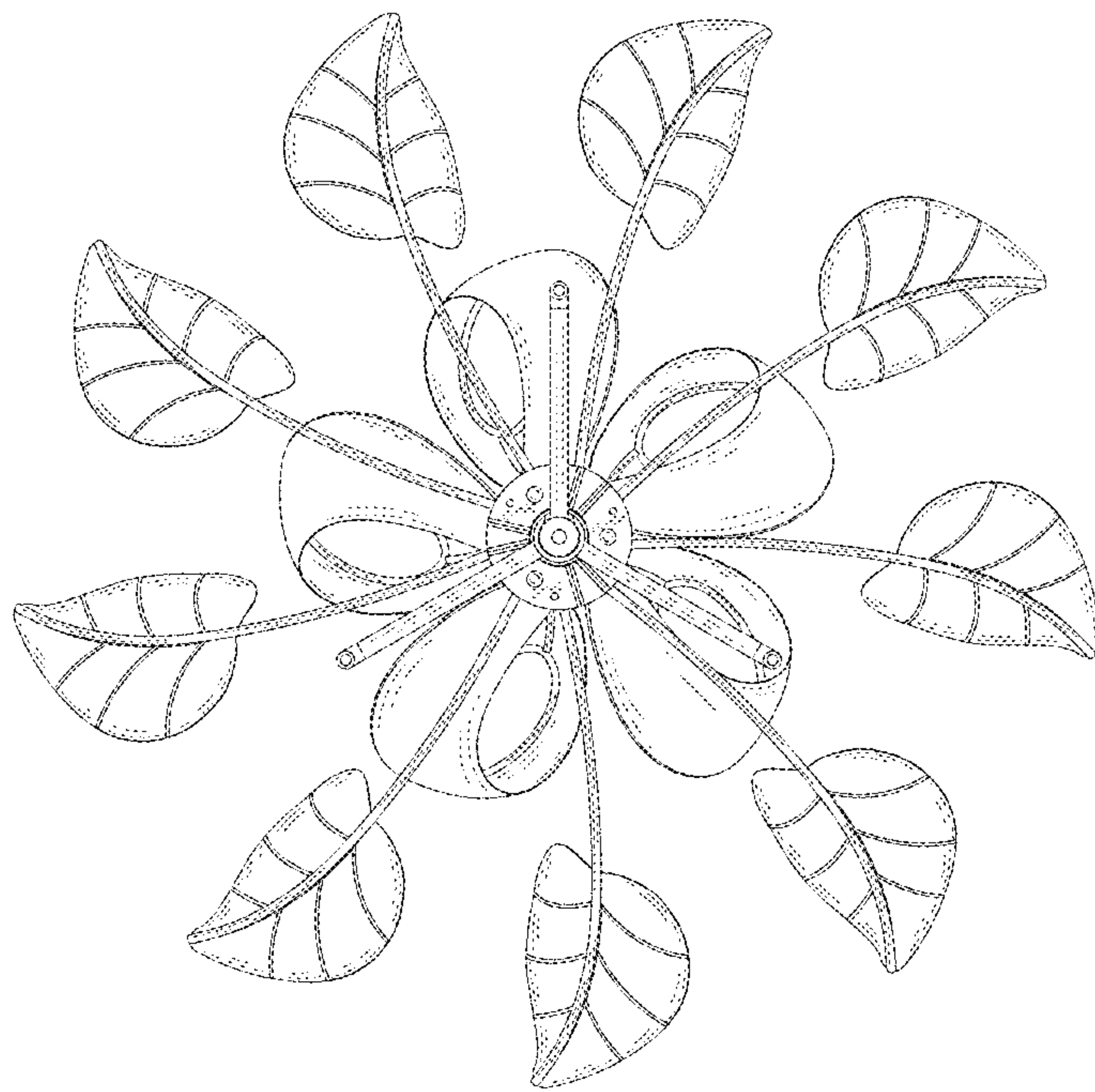


FIG. 7

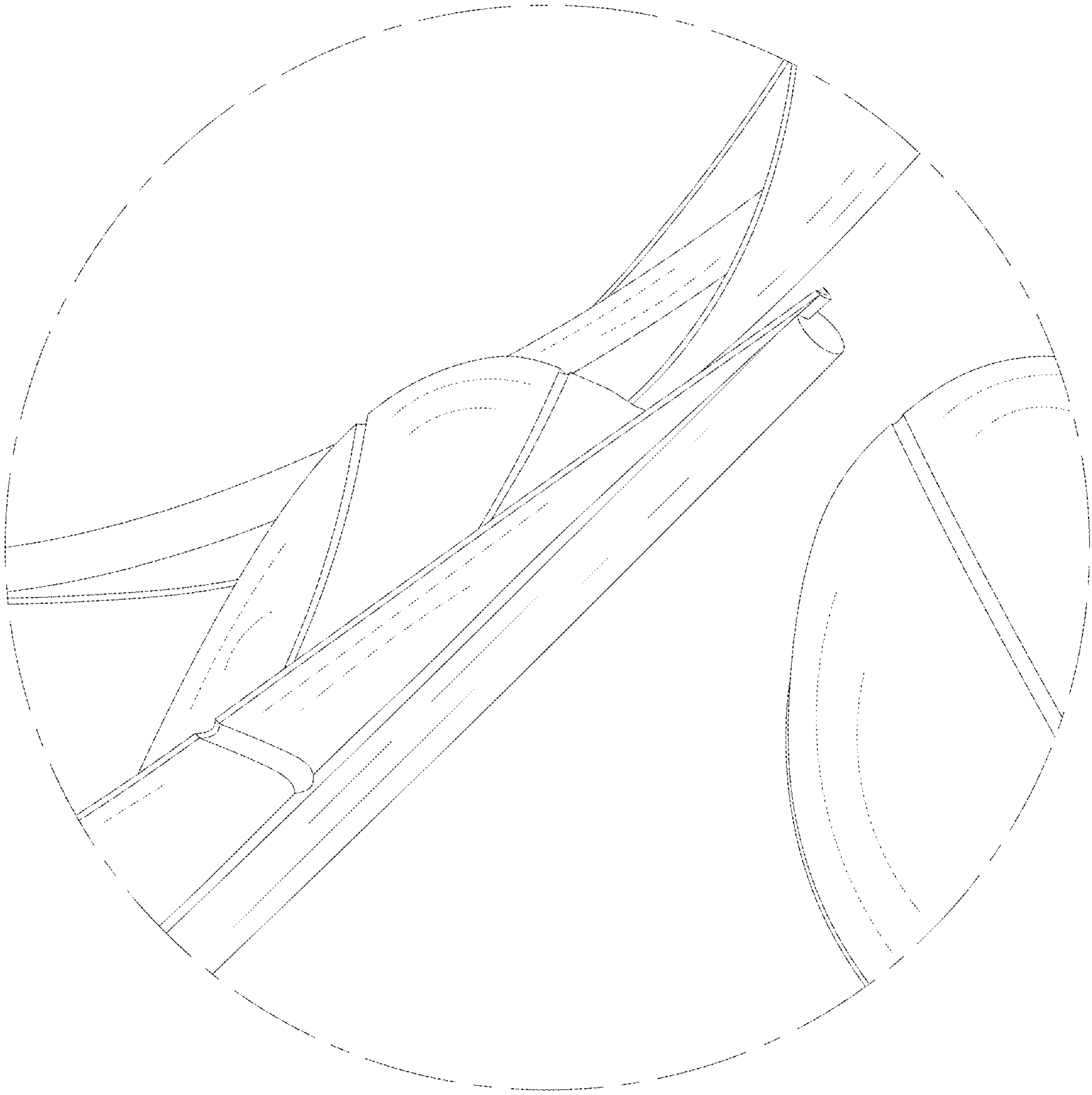


FIG. 8