



US00D974218S

(12) **United States Design Patent** (10) **Patent No.:** **US D974,218 S**
Zhou (45) **Date of Patent:** **** Jan. 3, 2023**

(54) **RING**

FOREIGN PATENT DOCUMENTS

(71) Applicant: **Michellia Inc.**, Salem, OR (US)

CN 307324573 * 5/2022
WO D211064-005 * 11/2020

(72) Inventor: **Yitong Zhou**, Salem, OR (US)

(73) Assignee: **Michellia Inc.**, Salem, OR (US)

(**) Term: **15 Years**

(21) Appl. No.: **29/752,628**

(22) Filed: **Sep. 28, 2020**

(51) **LOC (14) Cl.** **11-01**

(52) **U.S. Cl.**
USPC **D11/36**

(58) **Field of Classification Search**
USPC D11/34-36, 1-5, 16, 26-30, 91-92
CPC A44C 9/00
See application file for complete search history.

OTHER PUBLICATIONS

Wandering Star Ring, Brilliant Diamond Catbird pp. 1-11 2022
https://www.catbirdnyc.com/wandering-star-ring-10.html?utm_source=google&utm_medium=organic&utm_campaign=shopping&utm_term=327 (Year: 2022).*

(Continued)

Primary Examiner — Kevin K Rudzinski
Assistant Examiner — Evans David Delesline
(74) *Attorney, Agent, or Firm* — Seed Intellectual Property Law Group LLP

(56) **References Cited**

U.S. PATENT DOCUMENTS

D434,693 S	*	12/2000	Kaplan	D11/91
D652,763 S	*	1/2012	Dunlop	D11/92
D676,352 S	*	2/2013	Dholakiya	D11/40
D703,091 S	*	4/2014	Dholakiya	D11/91
D712,303 S	*	9/2014	Dholakiya	D11/91
D718,181 S	*	11/2014	Kothari	D11/92
D754,025 S	*	4/2016	Baid	D11/92
D763,115 S	*	8/2016	Nisguretsky	D11/91
D780,058 S	*	2/2017	Shlakman	D11/91
D798,188 S	*	9/2017	Wong	D11/92
D811,263 S	*	2/2018	Yep	D11/92
D829,126 S	*	9/2018	Bhansali	D11/91
D843,258 S	*	3/2019	Zhou	D11/34
D845,823 S	*	4/2019	Bhansali	D11/91
D847,002 S	*	4/2019	Dominguez	D10/30
D849,593 S	*	5/2019	Dholakiya	D11/92
D858,343 S	*	9/2019	Shah	D11/91
D873,699 S	*	1/2020	Zhou	D11/34
D873,700 S	*	1/2020	Zhou	D11/34
D874,317 S	*	2/2020	Zhou	D11/34
D874,318 S	*	2/2020	Zhou	D11/34
D874,319 S	*	2/2020	Zhou	D11/34

(Continued)

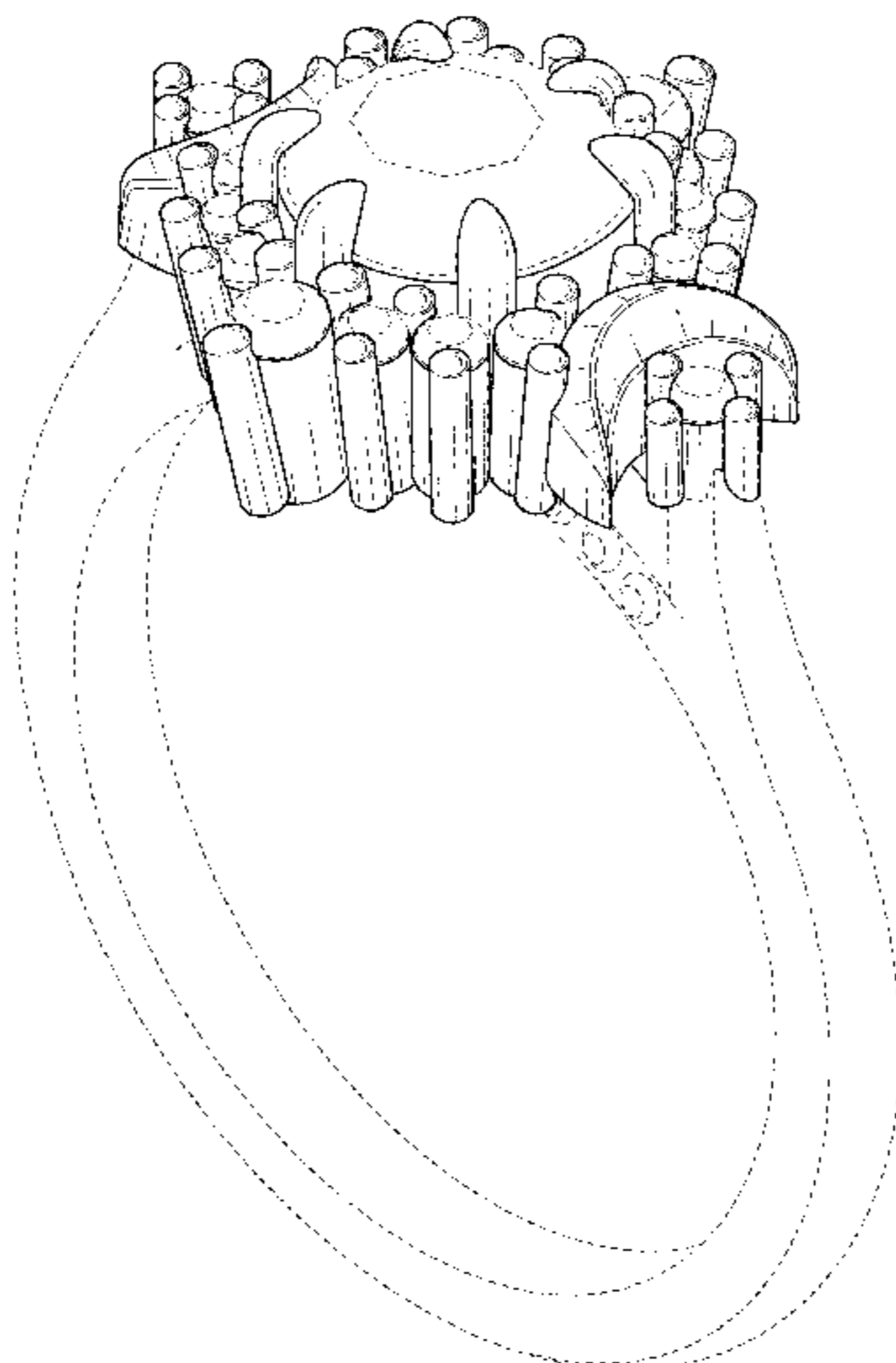
(57) **CLAIM**

The ornamental design for a ring, substantially as shown and described.

DESCRIPTION

FIG. 1 is a top perspective view of a ring showing my new design.
FIG. 2 is a rear elevational view thereof.
FIG. 3 is a front elevational view thereof.
FIG. 4 is a left side elevational view thereof.
FIG. 5 is a right side elevational view thereof.
FIG. 6 is a top plan view thereof.
FIG. 7 is a bottom plan view thereof; and,
FIG. 8 is a bottom perspective view thereof.
Stippling and tangency lines in the drawings represent the three-dimensional contours of the design, and are not intended to indicate surface decoration. The broken lines in the drawings illustrate portions of the ring and form no part of the claimed design.

1 Claim, 7 Drawing Sheets



(56)

References Cited

U.S. PATENT DOCUMENTS

D874,320	S	*	2/2020	Zhou	D11/34
D878,234	S	*	3/2020	Zhou	D11/34
D887,886	S	*	6/2020	Zhou	D11/34
D927,347	S	*	8/2021	Surana	D11/91
D929,251	S	*	8/2021	Shah	D11/91
D948,375	S	*	4/2022	Dholakiya	D11/92

OTHER PUBLICATIONS

Classic Double Floral Halo Diamond Ring | Angara pp. 1-9 2021
https://www.angara.com/p/classic-double-floral-halo-diamond-ring-sr2428d?metal_karat=14k&metal_type=yellow+gold&stone_grade=i-j%2C+i1-i2&stone_size=4mm&cid=ps-gpla-acc!diamondUSA-adg!%E2%80%A6 (Year: 2021).*

14K White Gold She•Said•Yes “You Light Up My Life” Round Cut Side Stone Engagement Ring—She•Said•Yes Jewelry pp. 1-4 2022
<https://www.shesaidyes.com/product-10k-white-gold-she-said-yes--you-light-up-my-life-round-cut-side-stone-engagement-ring-cid36-sesi091?> (Year: 2022).*

Sofia.Zakia, “Wandering Star Ring,” <<https://www.instagram.com/p/BPIG9msA4fR/>> Instagram Post uploaded Jan. 11, 2017, accessed on Dec. 3, 2020, 1 page.

Sofia.Zakia, “Moonstone Wandering Cosmos Ring,” <<https://www.instagram.com/p/BqHt62NH22h/>> Instagram Post uploaded Nov. 13, 2018, accessed on Dec. 3, 2020, 1 page.

* cited by examiner

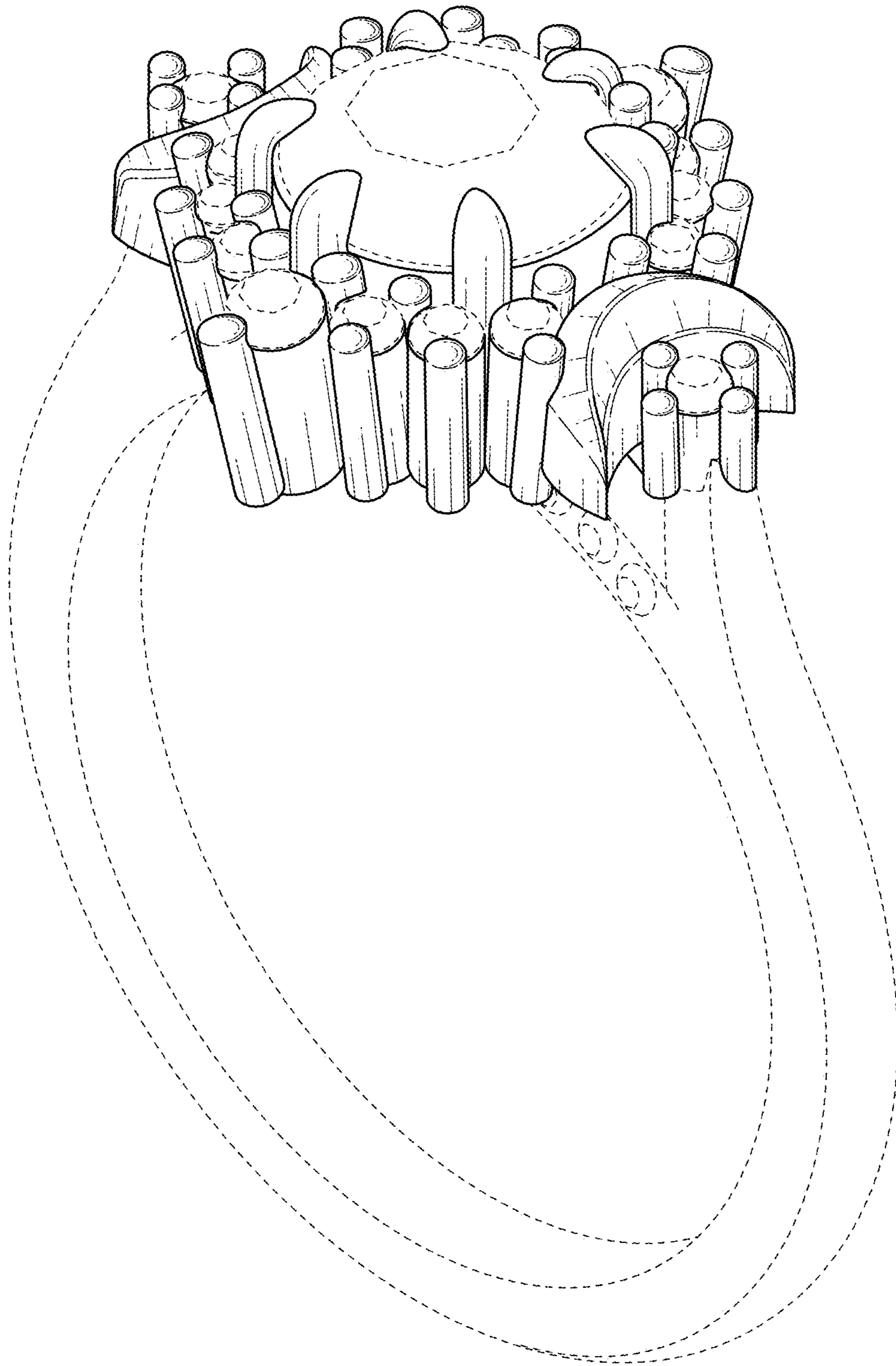


FIG. 1

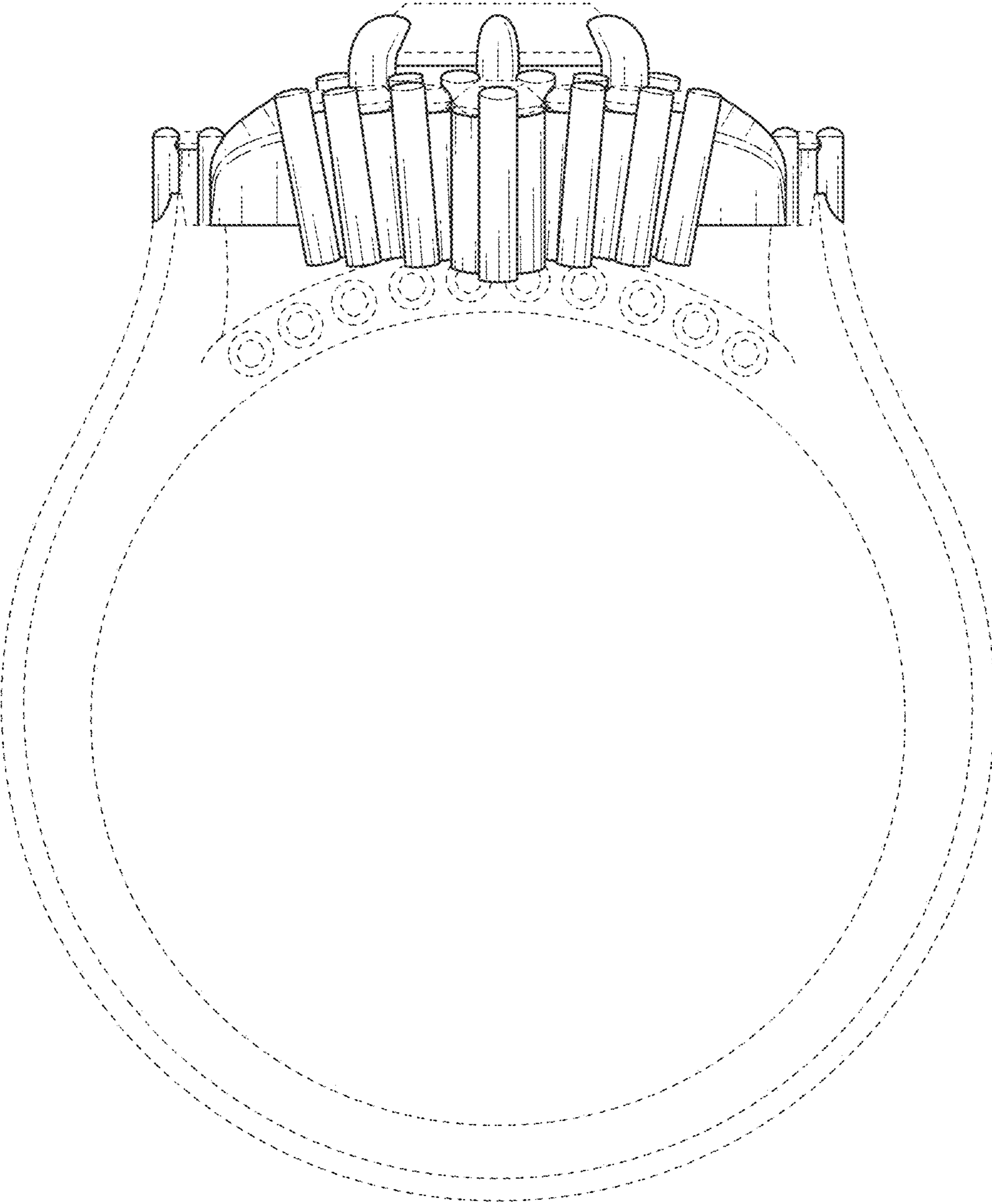


FIG. 2

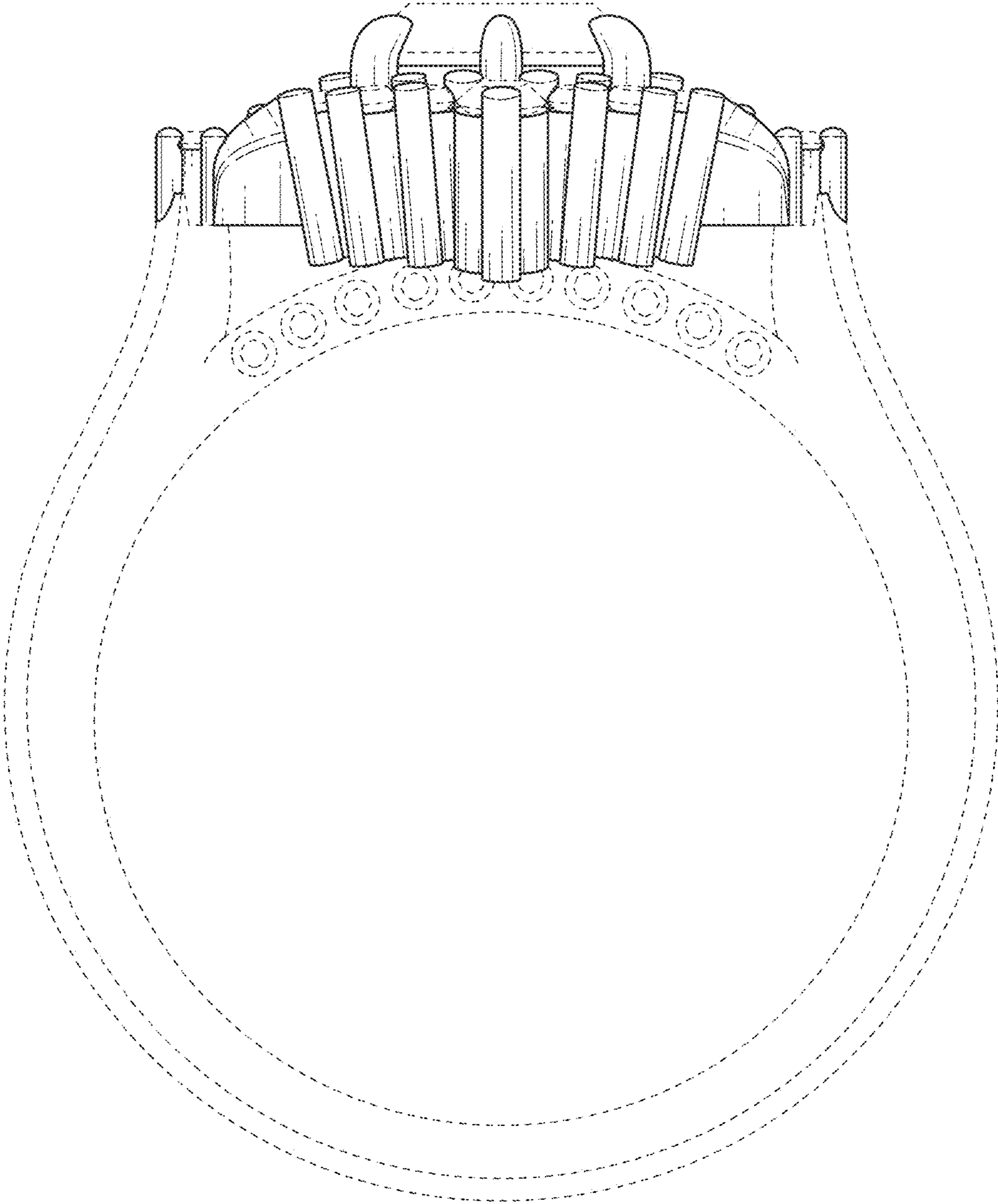


FIG. 3

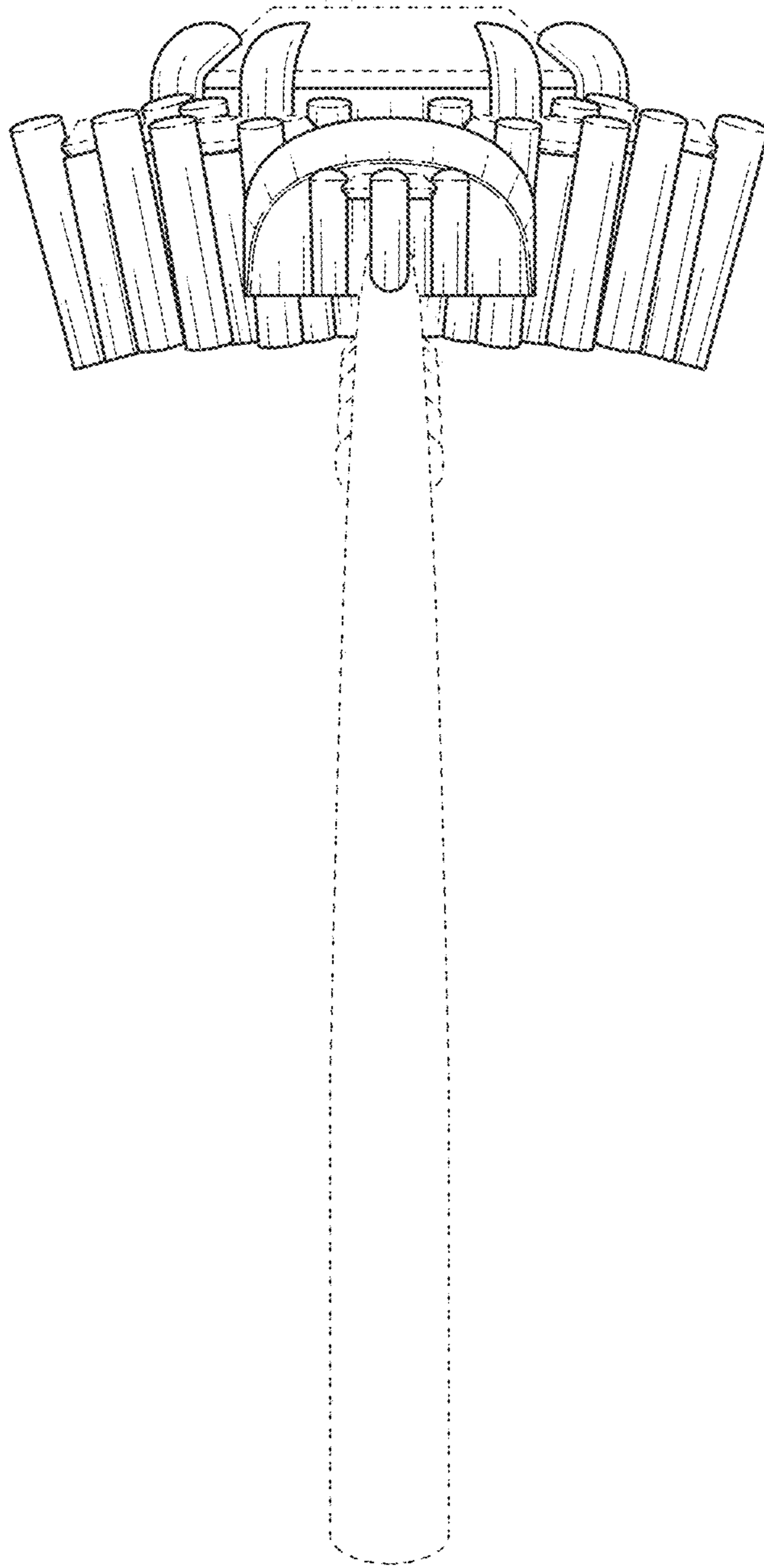


FIG. 4

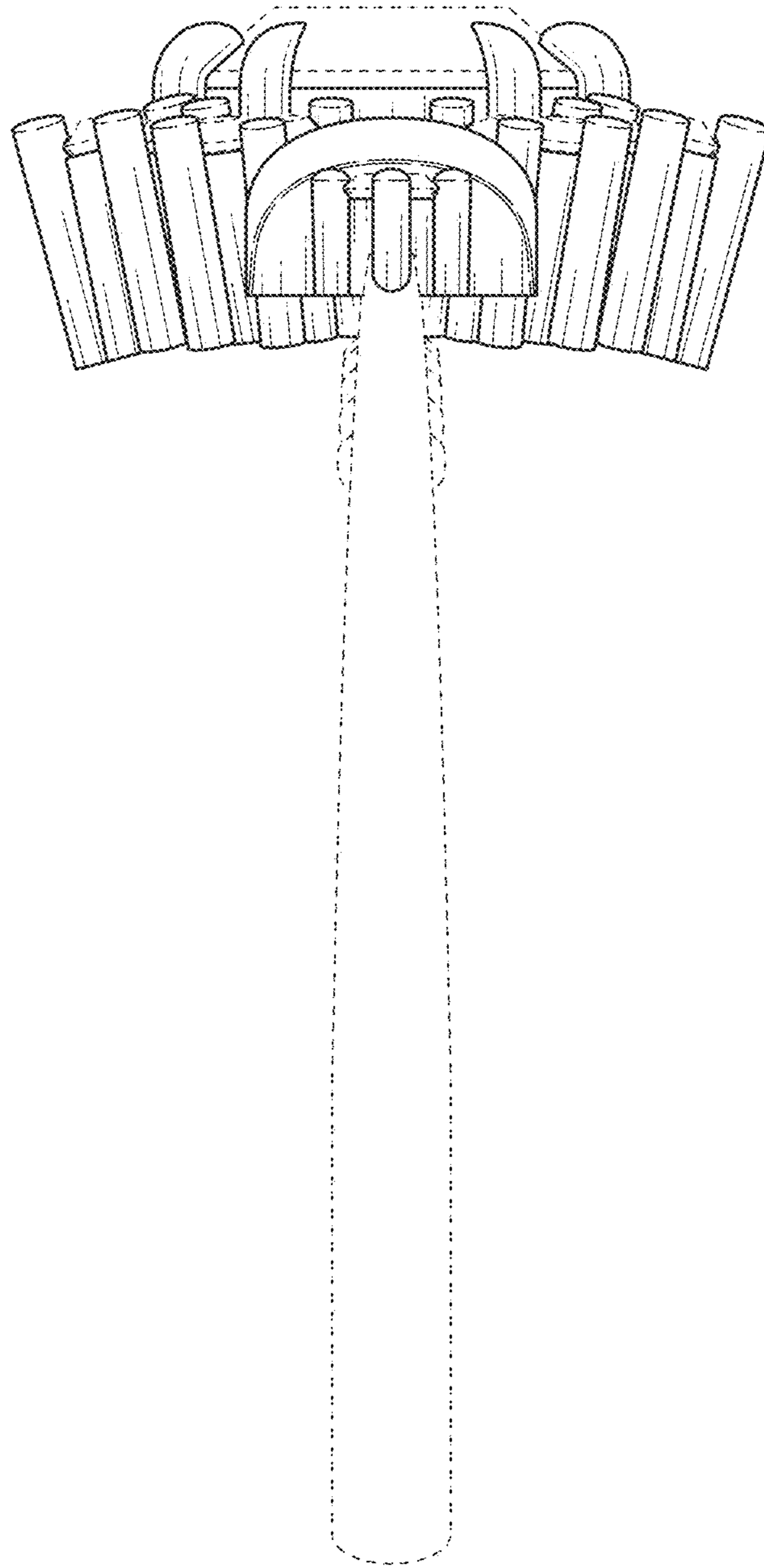


FIG. 5

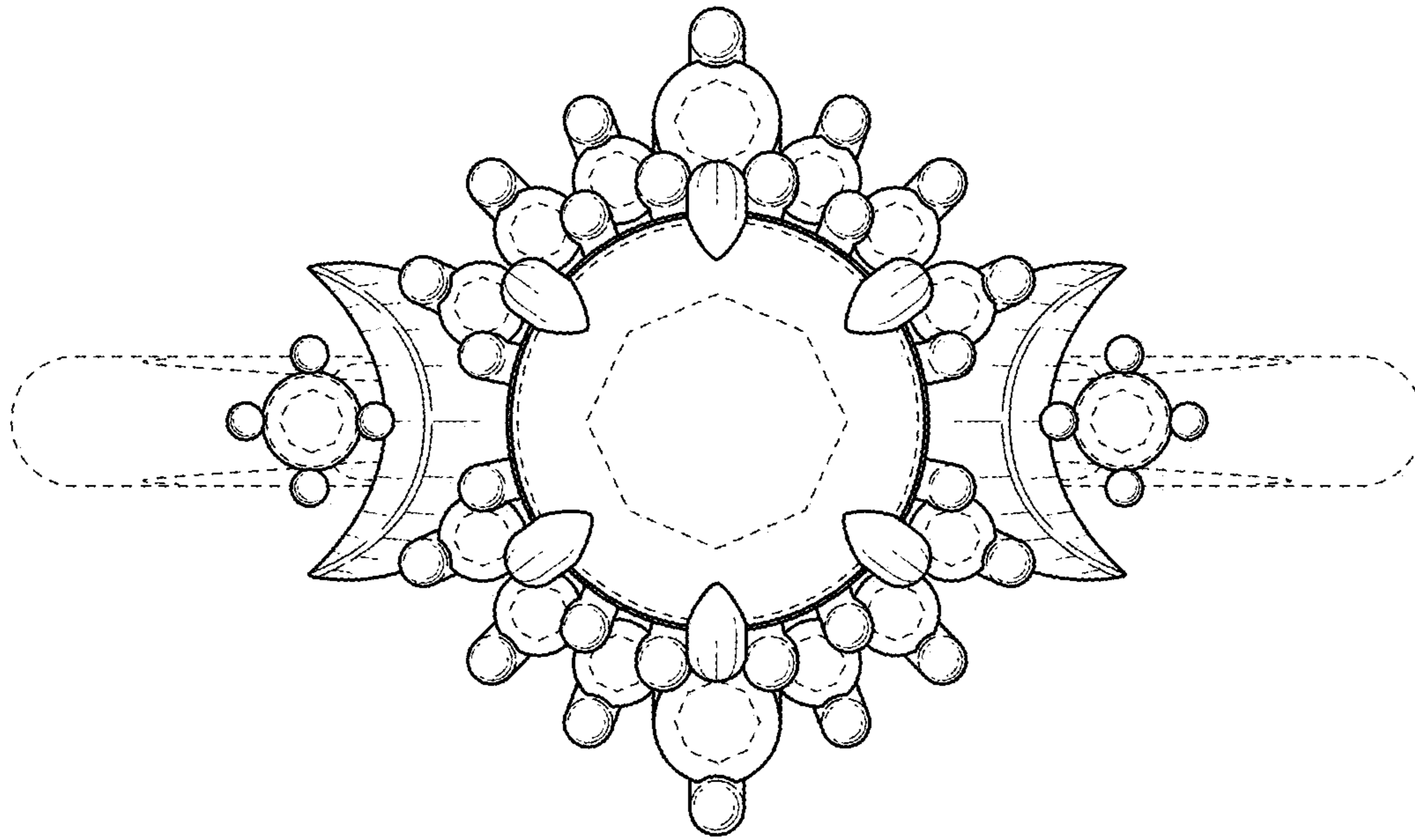


FIG. 6

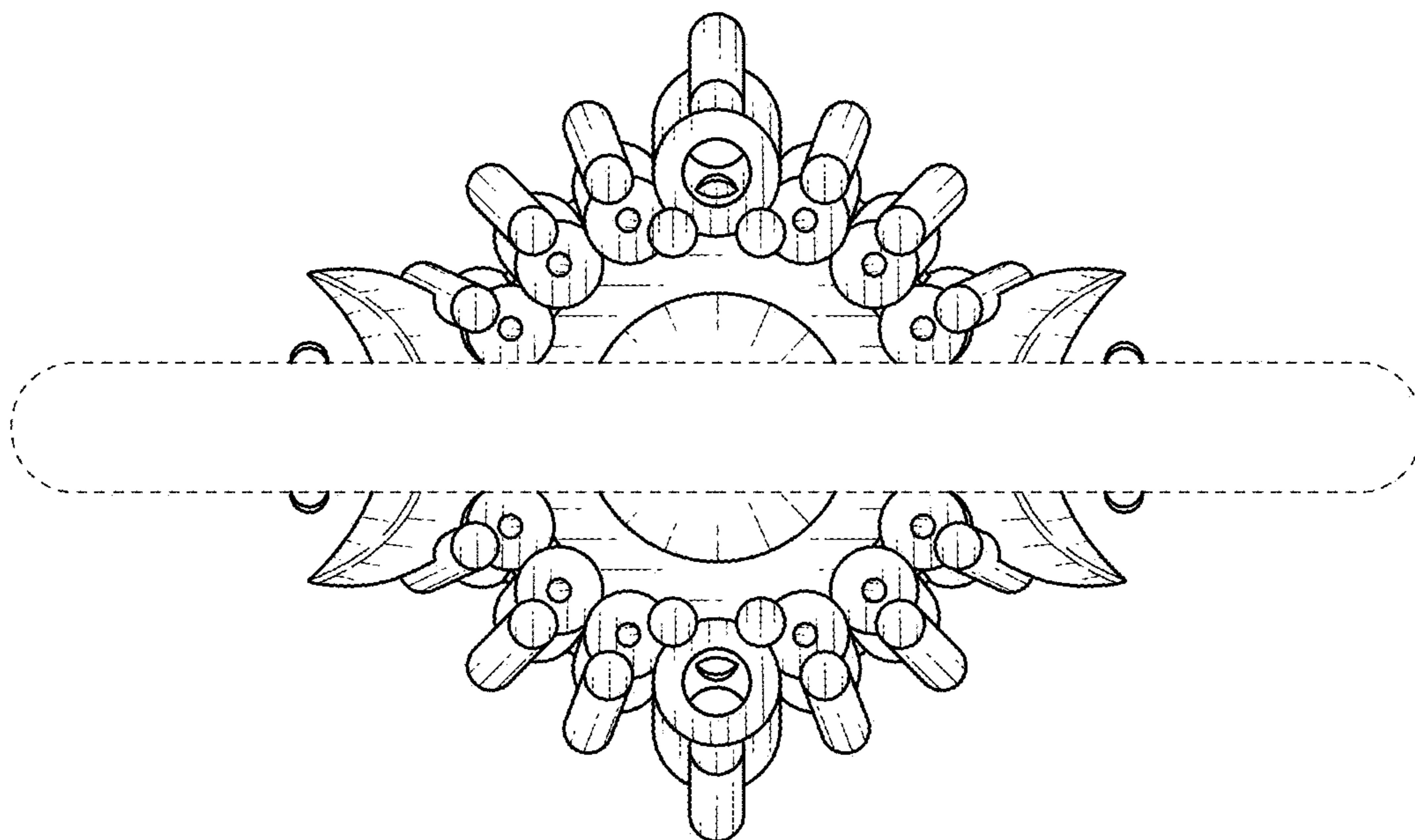


FIG. 7

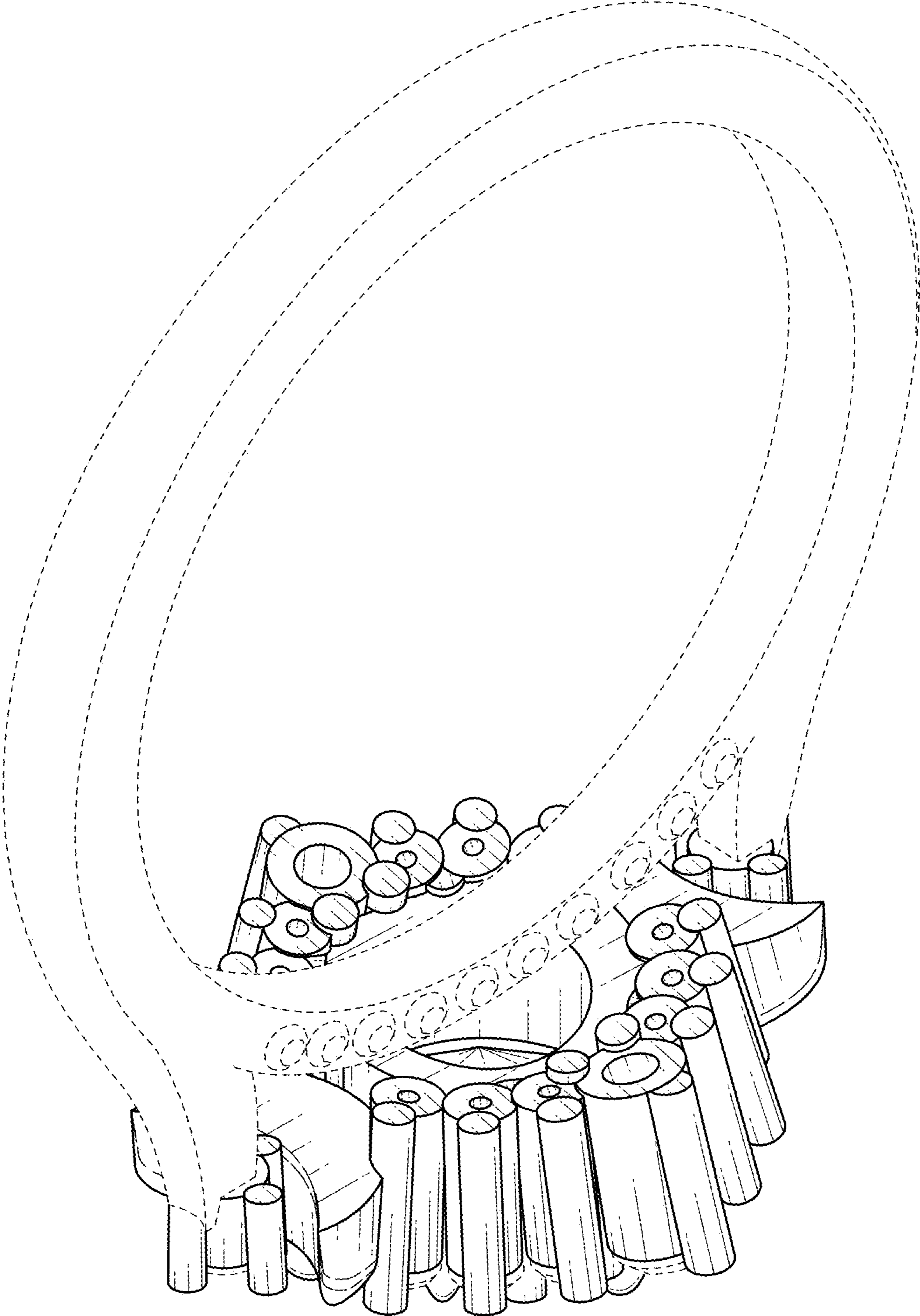


FIG. 8