



US00D974217S

(12) **United States Design Patent**
Yi

(10) **Patent No.:** **US D974,217 S**

(45) **Date of Patent:** **** Jan. 3, 2023**

(54) **DOUBLE SNAP BUTTON LOOP BAND**

(71) Applicant: **Yanxin Yi**, Nanchong (CN)

(72) Inventor: **Yanxin Yi**, Nanchong (CN)

(**) Term: **15 Years**

(21) Appl. No.: **29/794,213**

(22) Filed: **Jun. 10, 2021**

(51) **LOC (14) Cl.** **11-01**

(52) **U.S. Cl.**
USPC **D11/12; D11/3**

(58) **Field of Classification Search**
USPC D11/1-6, 12, 13; D14/344; D10/30, 31,
D10/32, 38
CPC A44C 5/00; A44C 5/0007; A44C 5/0015;
A44C 5/0053; A44C 5/147; A44C 5/16;
A44C 5/20; A44C 5/2052; A44C 5/2057;
A44C 5/2066; A44C 5/2071; G04B
37/005; G04B 37/0058
See application file for complete search history.

(56) **References Cited**

U.S. PATENT DOCUMENTS

1,791,037 A * 2/1931 Otten et al. A44C 5/24
24/71 J
1,806,213 A * 5/1931 Nelson A44C 5/22
24/323
2,184,319 A * 12/1939 Schoeninger A44C 5/2071
24/316
D764,340 S * 8/2016 Akana D11/3
D813,076 S * 3/2018 Akana D11/5
D843,875 S * 3/2019 Akana D11/34

D857,542 S * 8/2019 Sun D11/3
D873,695 S * 1/2020 Chen D11/3
D879,643 S 3/2020 Deng et al.
D882,445 S * 4/2020 Liao D11/3
10,729,210 B1 * 8/2020 Sano A44C 5/246
D896,677 S * 9/2020 Wang D11/3
D909,904 S 2/2021 Koyama
D921,516 S 6/2021 Ouyang
D922,894 S * 6/2021 Akana D11/5
D929,884 S * 9/2021 Yi D11/3
D939,971 S * 1/2022 Johansen D10/32
D940,583 S * 1/2022 Akana D11/5
2012/0110792 A1 * 5/2012 Granito A44C 5/246
24/265 EC
2019/0365062 A1 * 12/2019 Kelly A44C 5/2071
2020/0245733 A1 * 8/2020 Kaiser A44C 5/246
2021/0368949 A1 * 12/2021 Prasitkittanai A44C 5/20

* cited by examiner

Primary Examiner — Llorellys Martinez

(74) *Attorney, Agent, or Firm* — Rumit Ranjit Kanakia

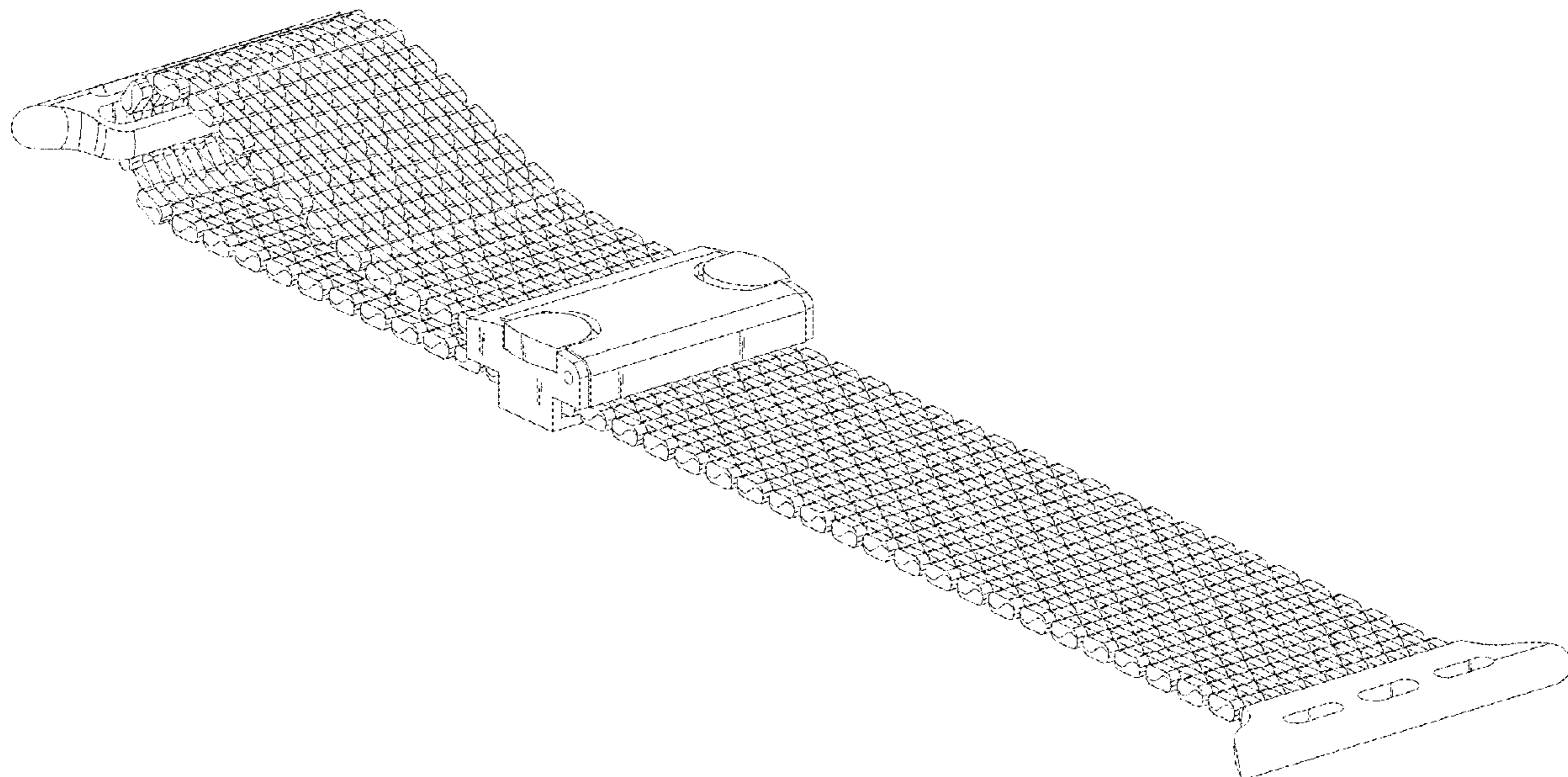
(57) **CLAIM**

The ornamental design for a double snap button loop band,
as shown and described.

DESCRIPTION

FIG. 1 is a perspective view of a double snap button loop band showing my new design;
FIG. 2 is a top view thereof;
FIG. 3 is a left side view thereof;
FIG. 4 is a front view thereof;
FIG. 5 is a right side view thereof;
FIG. 6 is a back view thereof; and,
FIG. 7 is a bottom view thereof.

1 Claim, 7 Drawing Sheets



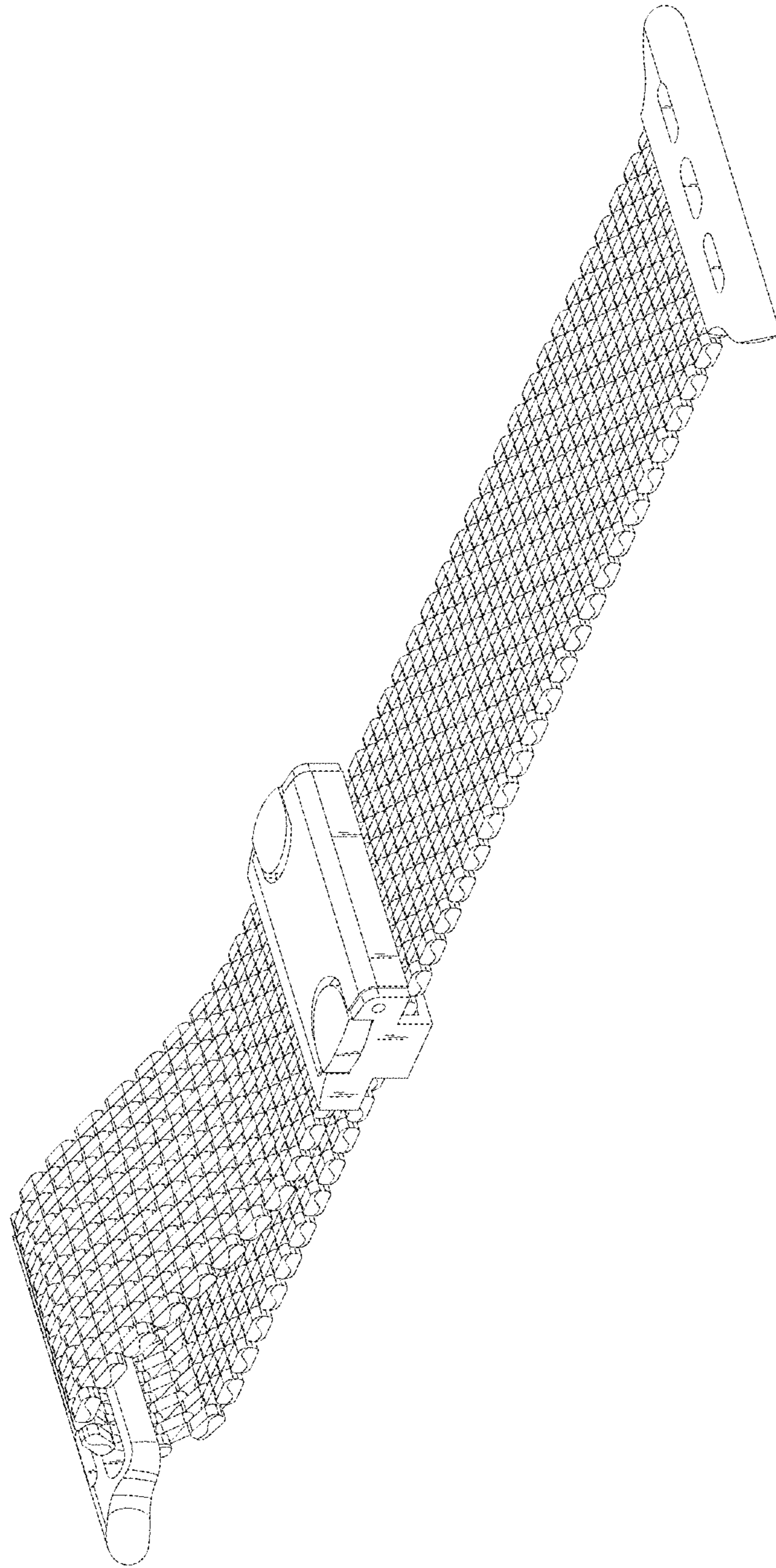


FIG. 1

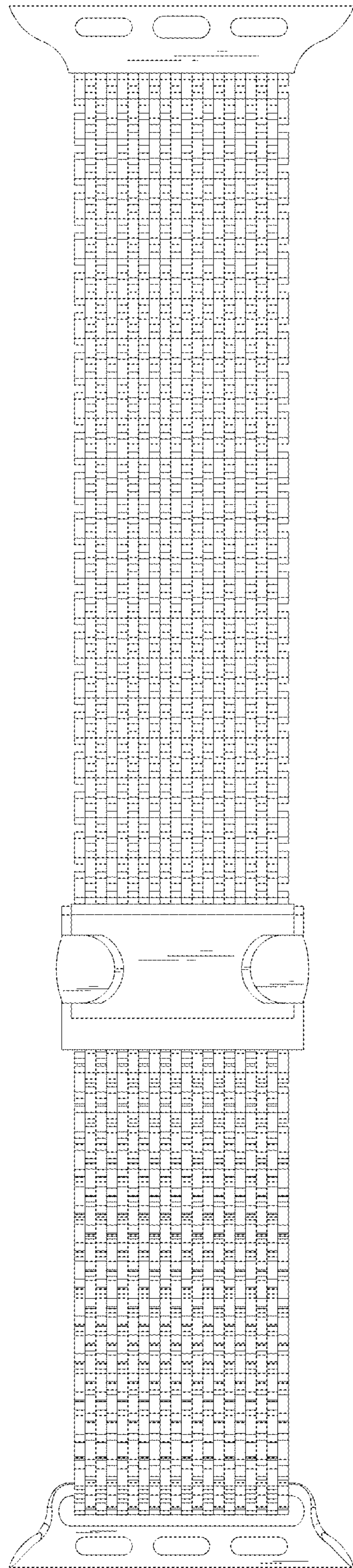


FIG. 2

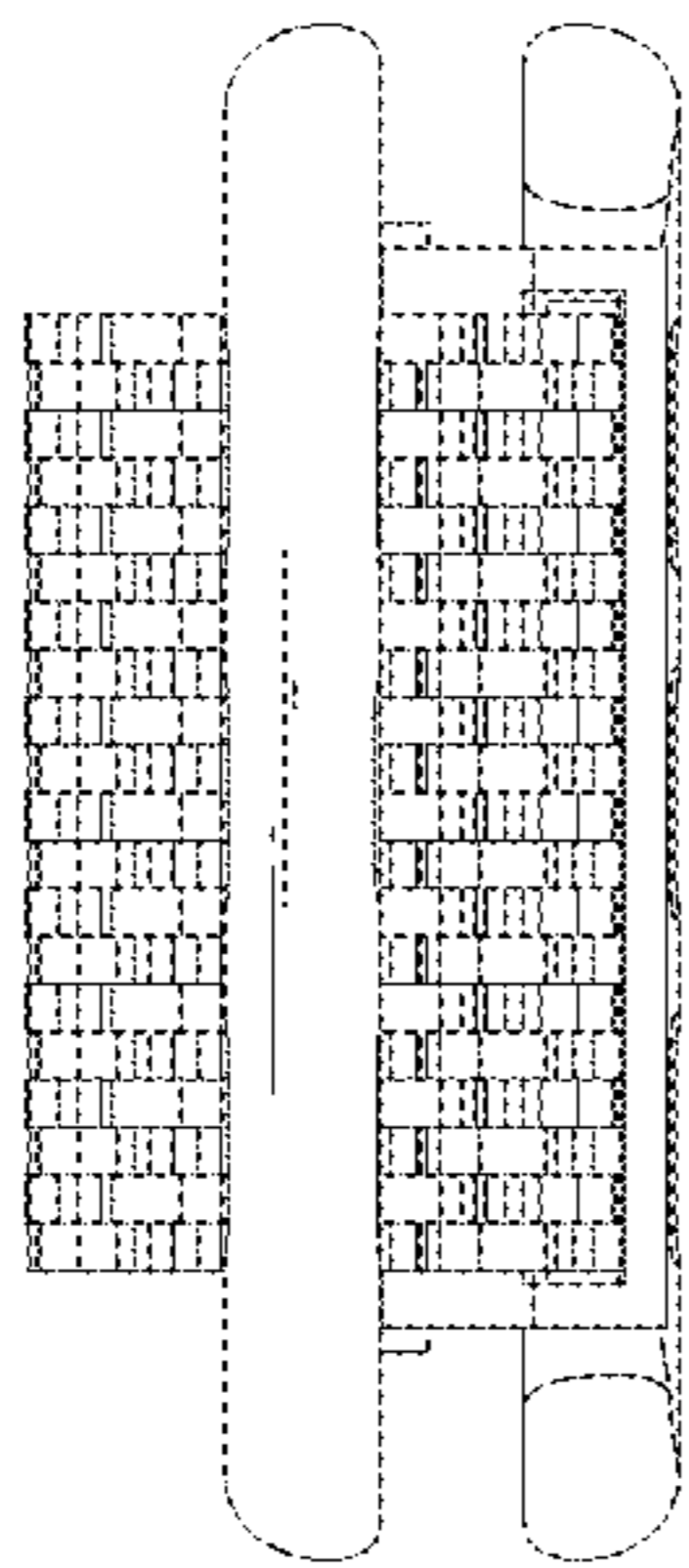


FIG 3

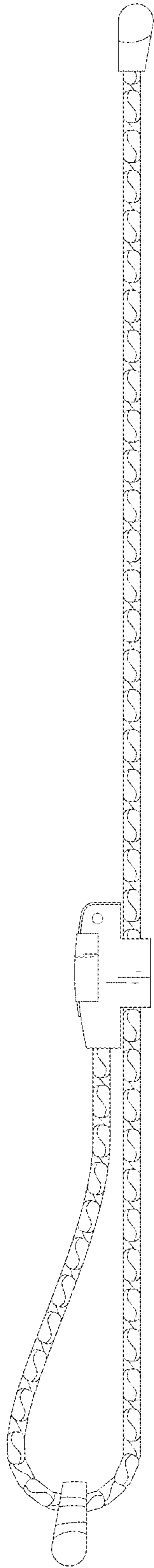


FIG. 4

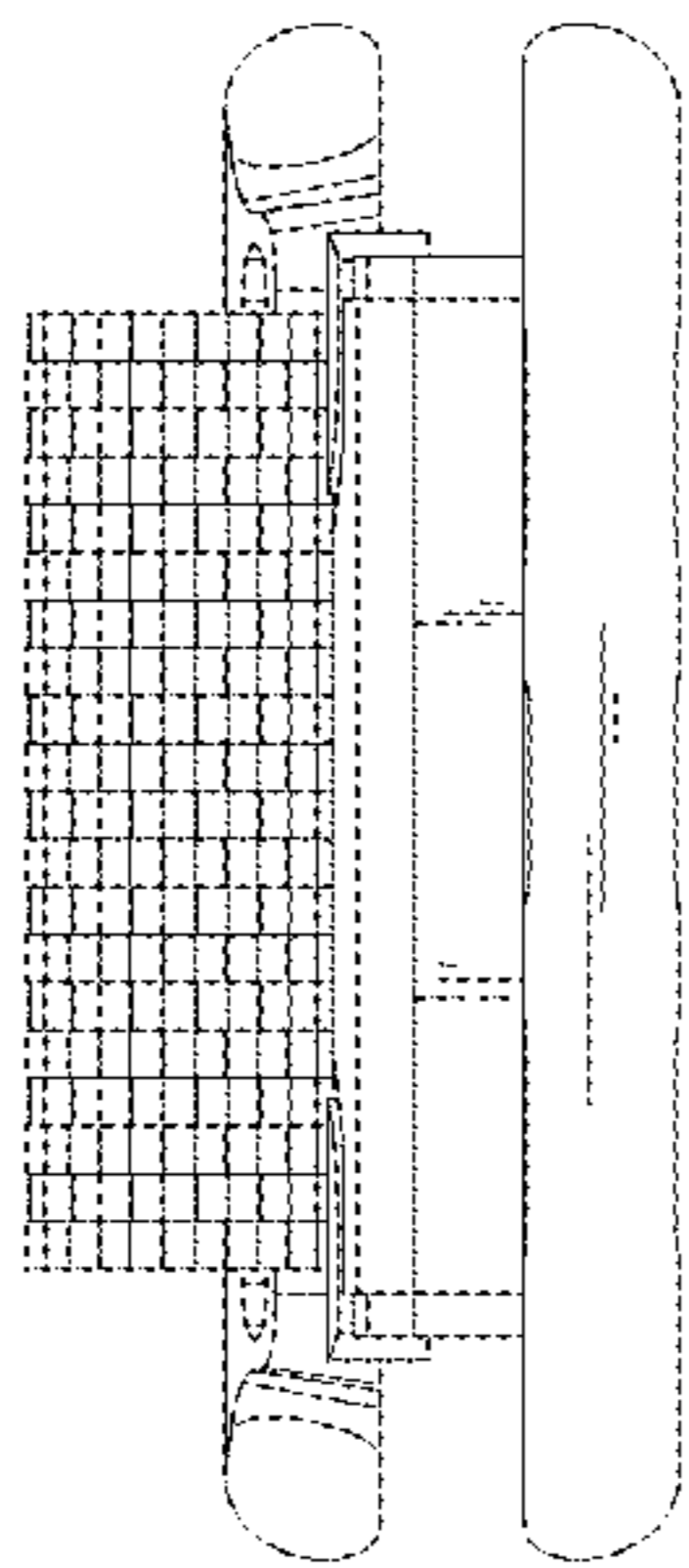


FIG. 5

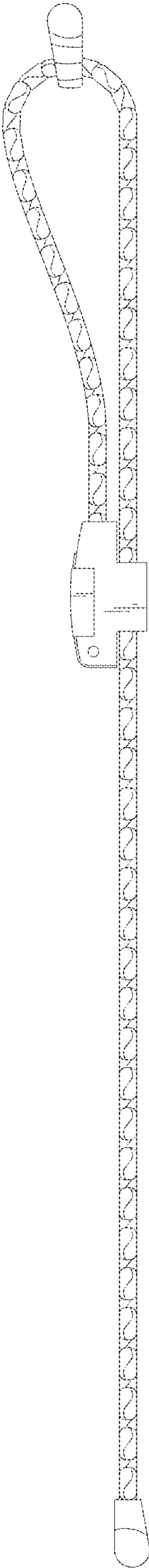


FIG. 6

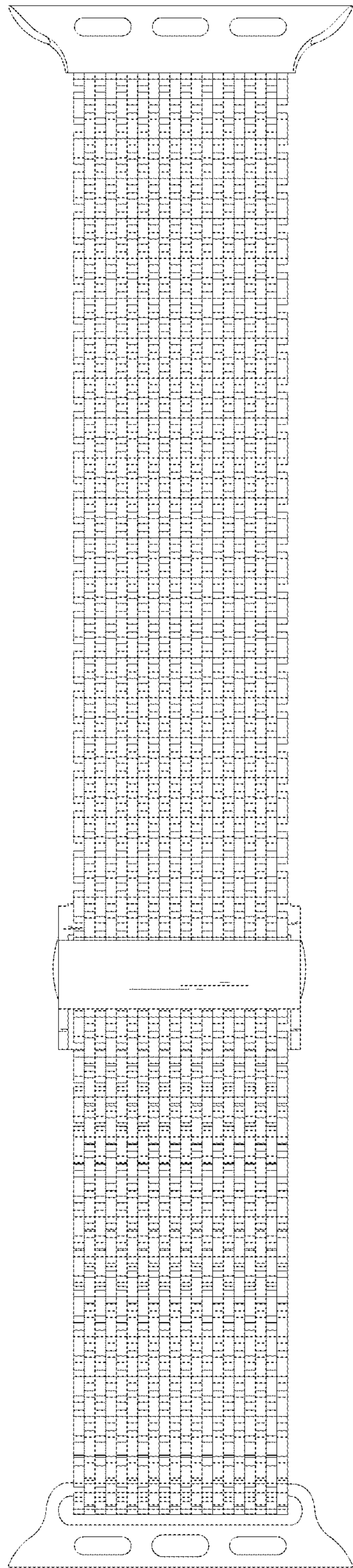


FIG. 7