



US00D974214S

(12) **United States Design Patent**
McManigal et al.

(10) **Patent No.:** **US D974,214 S**
(45) **Date of Patent:** **** Jan. 3, 2023**

- (54) **ELECTRONIC DOORBELL CHIME**
- (71) Applicant: **Arlo Technologies, Inc.**, Carlsbad, CA (US)
- (72) Inventors: **Scott McManigal**, Newport Beach, CA (US); **Soo Youn Park**, Lake Forest, CA (US)
- (73) Assignee: **Arlo Technologies, Inc.**, Carlsbad, CA (US)
- (**) Term: **15 Years**
- (21) Appl. No.: **29/795,302**
- (22) Filed: **Jun. 17, 2021**
- (51) **LOC (14) Cl.** **10-05**
- (52) **U.S. Cl.**
USPC **D10/118.2**
- (58) **Field of Classification Search**
USPC D10/52, 56, 97, 104.1, 106.6, 109.2, D10/116.1, 118, 118.2, 121; D13/168; D14/155, 358, 388; D16/203
CPC G08B 3/00; G08B 6/00; G08B 3/1008; H04N 7/186; H04M 11/025; H04M 1/0291
See application file for complete search history.

D881,162 S *	4/2020	Zhu	D13/168
D883,817 S *	5/2020	Gong	D10/56
D889,419 S *	7/2020	Gossens	D13/168
D897,879 S *	10/2020	Yang	D10/118.2
D902,063 S	11/2020	Han et al.		
D906,148 S *	12/2020	Jacob	D10/118.2
D912,005 S *	3/2021	Zhang	D14/155
D921,086 S *	6/2021	Li	D16/203
D921,510 S *	6/2021	Zeng	D10/118.2
D922,235 S *	6/2021	Tan	D10/118.2
D922,236 S *	6/2021	Tan	D10/118.2
D960,015 S *	8/2022	McManigal	D10/106.6
2006/0232434 A1 *	10/2006	Yu	G08B 3/10 340/693.5
2011/0124383 A1 *	5/2011	Garra	H04M 1/724 340/815.4

FOREIGN PATENT DOCUMENTS

CN	201930096507.5	*	10/2019
CN	202030474474.6	*	2/2021

* cited by examiner

Primary Examiner — George D. Kirschbaum
Assistant Examiner — Lillian Windham
(74) *Attorney, Agent, or Firm* — Boyle Fredrickson S.C.

(57) **CLAIM**

The ornamental design for an electronic doorbell chime, as shown and described.

DESCRIPTION

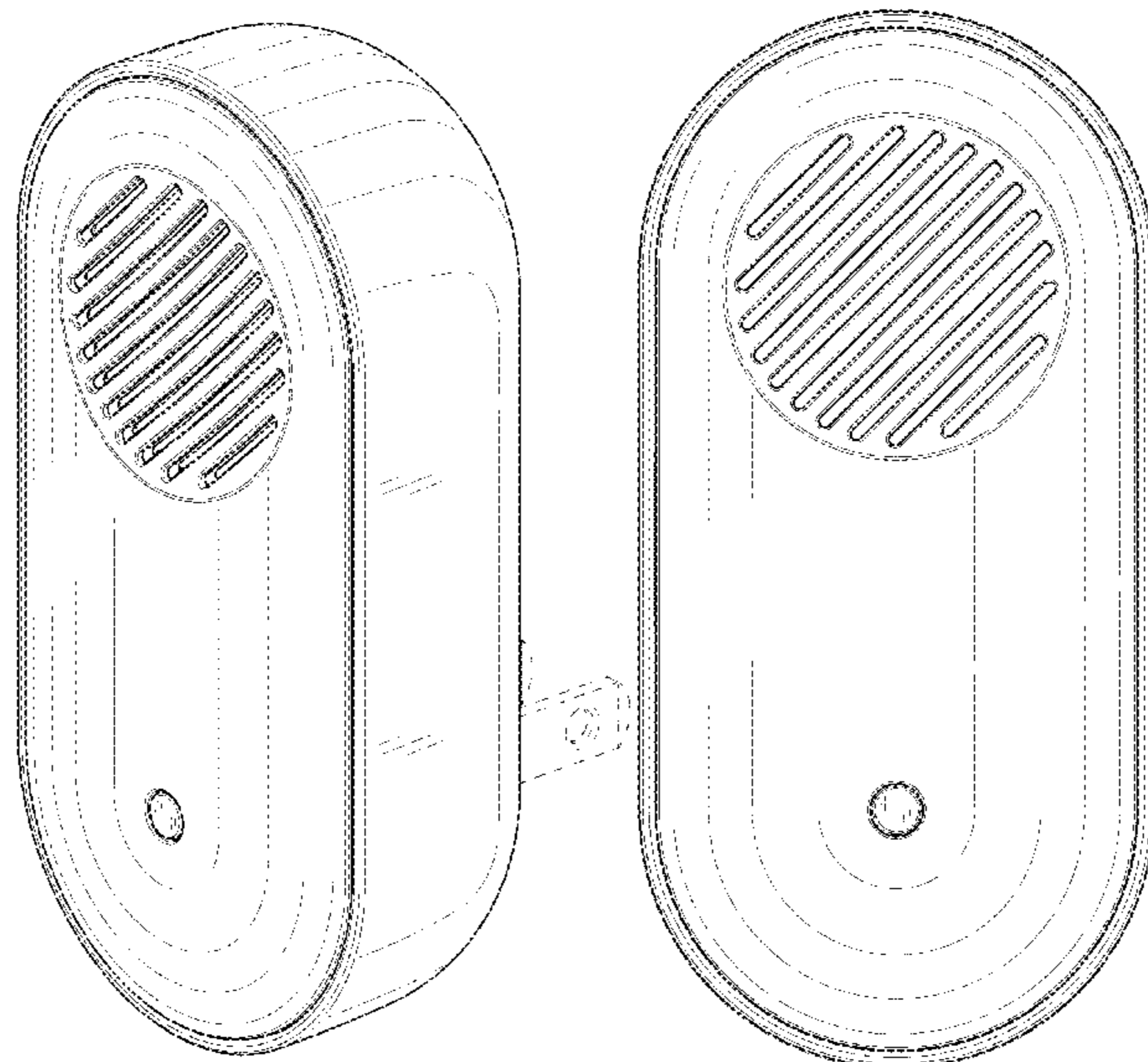
FIG. 1 is a top, front, right side perspective view of an electronic doorbell chime showing our new design; FIG. 2 is a front elevation view thereof; FIG. 3 is a rear elevation view thereof; FIG. 4 is a right-side elevation view thereof; FIG. 5 is a left-side elevation view thereof; FIG. 6 is a top plan view thereof; and, FIG. 7 is a bottom plan view thereof. All of the broken lines form no part of the claimed design.

1 Claim, 7 Drawing Sheets

(56) **References Cited**

U.S. PATENT DOCUMENTS

D258,424 S *	3/1981	Doggart	D10/118
D385,207 S *	10/1997	Urvoy	D10/104.1
D667,382 S *	9/2012	Cosentino	D13/168
D688,956 S *	9/2013	Anklesaria	D10/56
D767,568 S *	9/2016	McWilliam	D14/358
D789,366 S *	6/2017	Jentz	D14/388
D789,367 S *	6/2017	Jentz	D14/388
D800,005 S *	10/2017	Wong	D10/118.2
D825,356 S *	8/2018	Yu	D10/97
D836,568 S *	12/2018	Miller	D13/168
D848,297 S *	5/2019	Taheri	D10/118



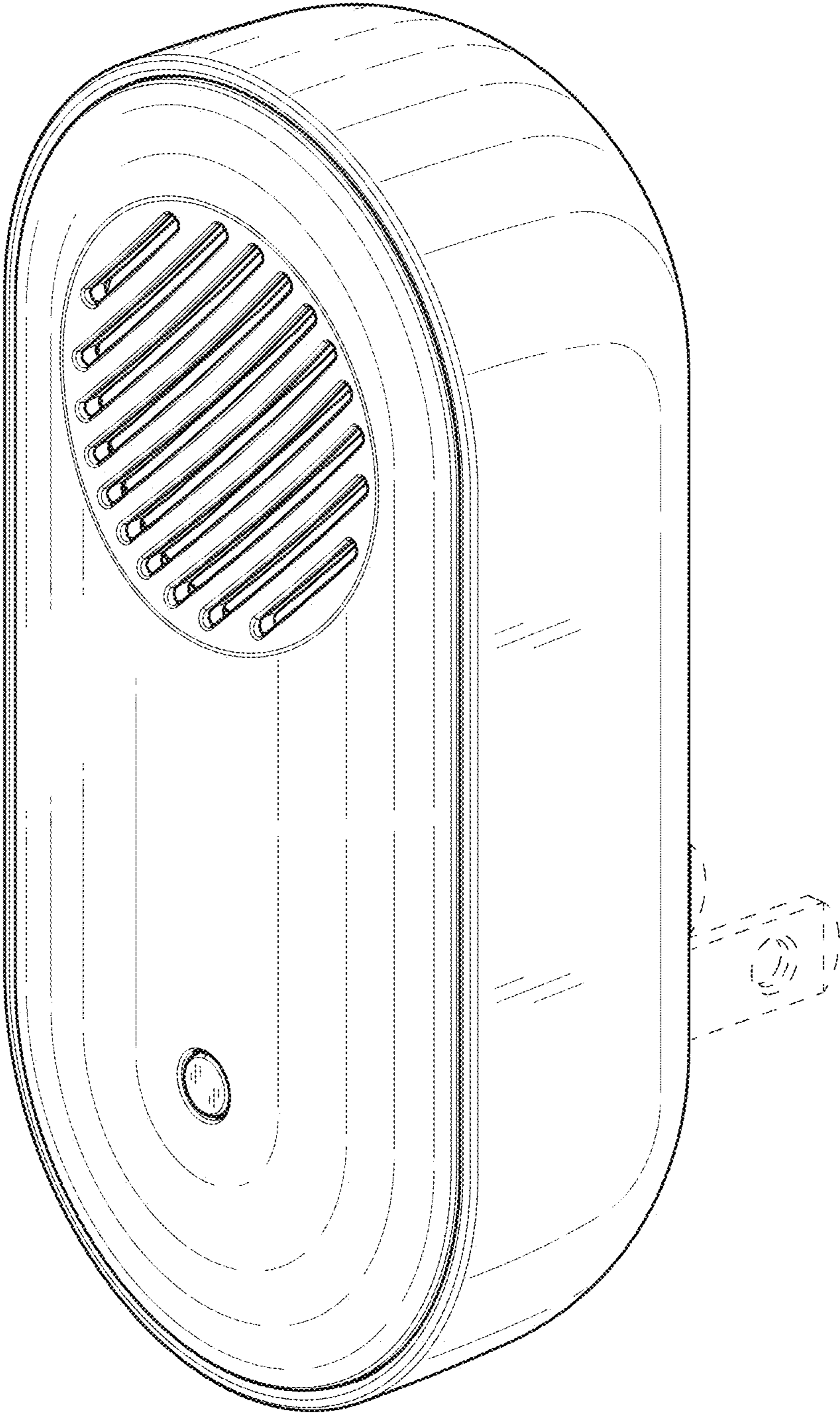


FIG.1

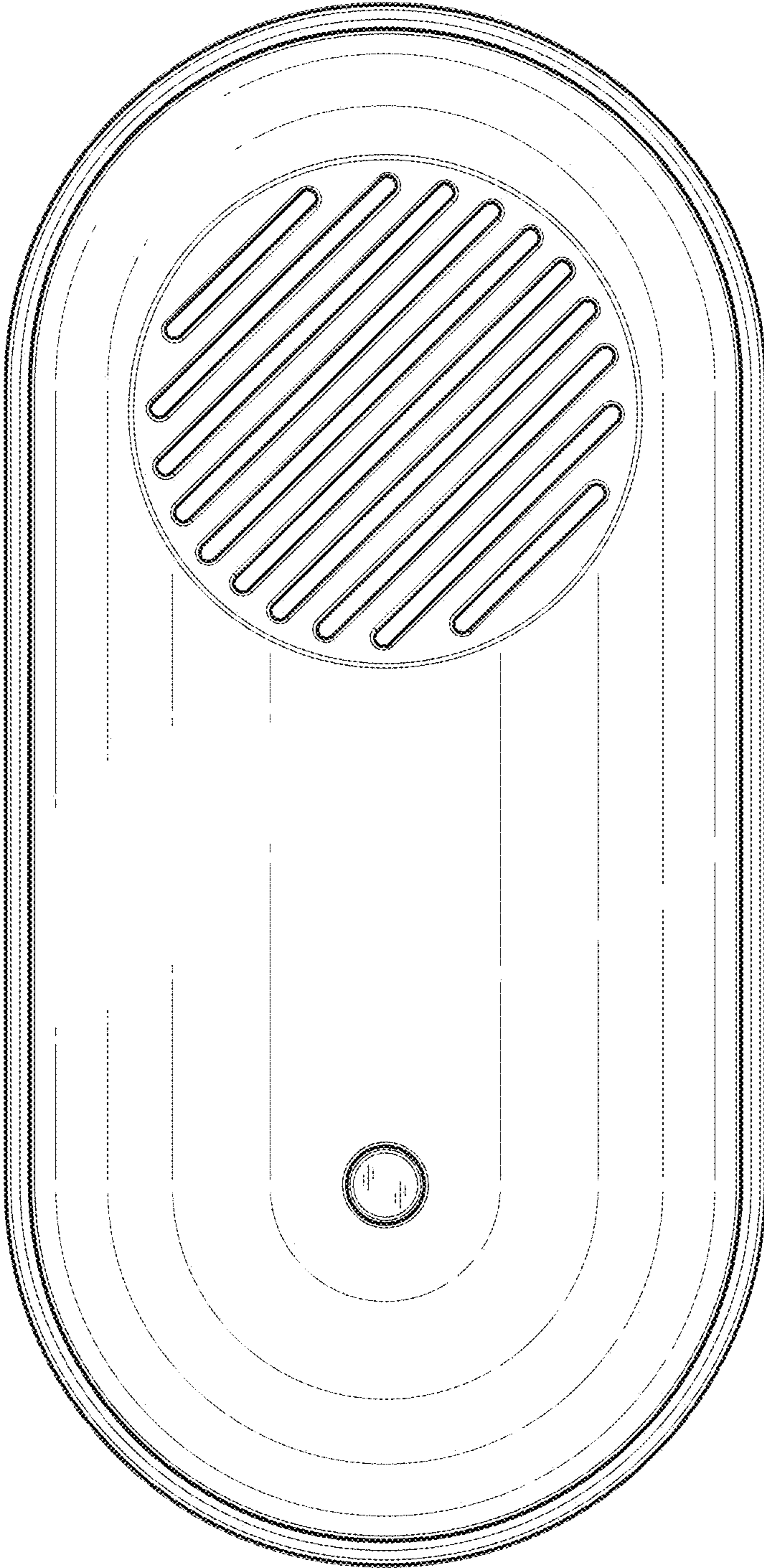


FIG.2

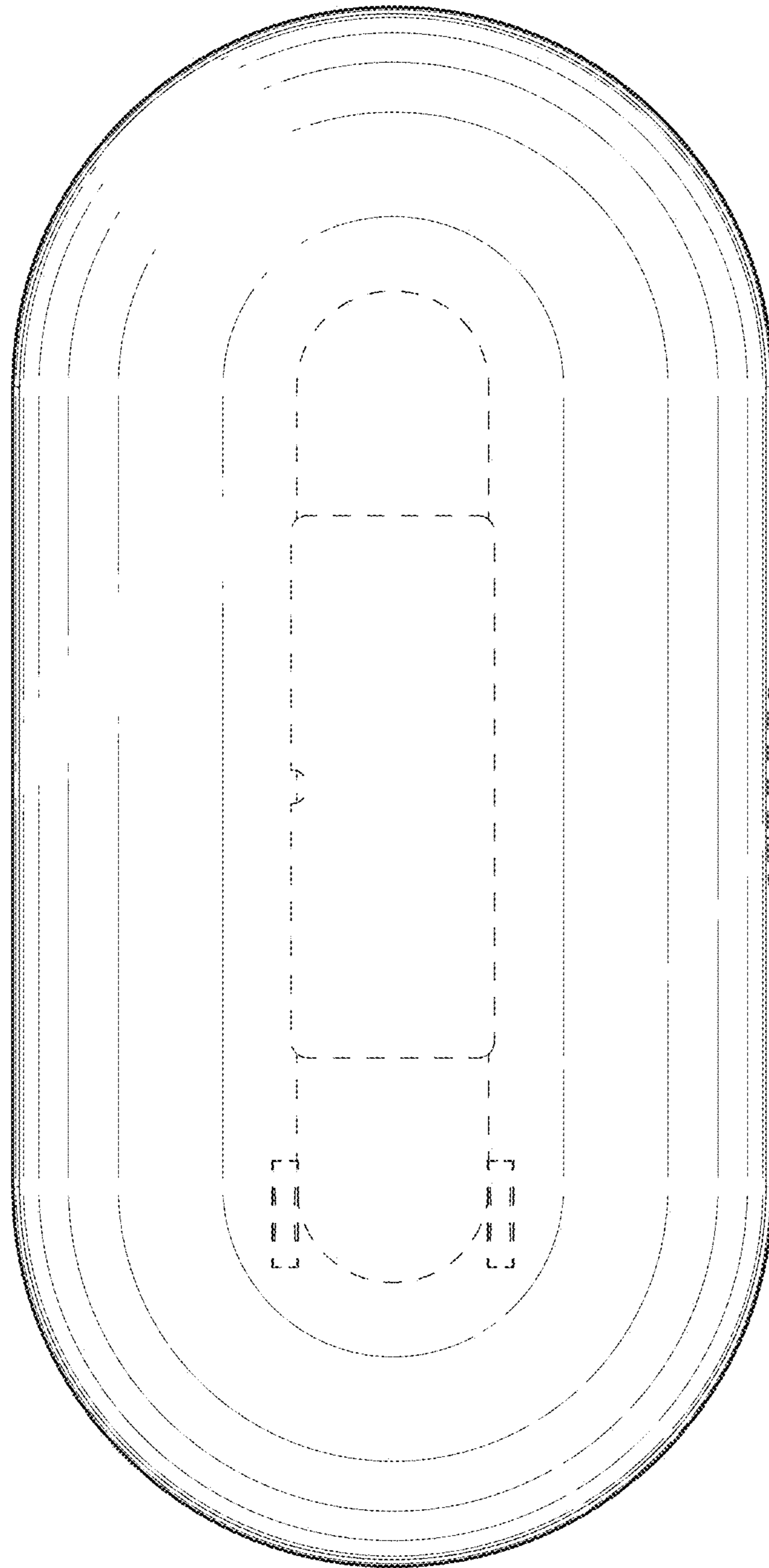


FIG.3

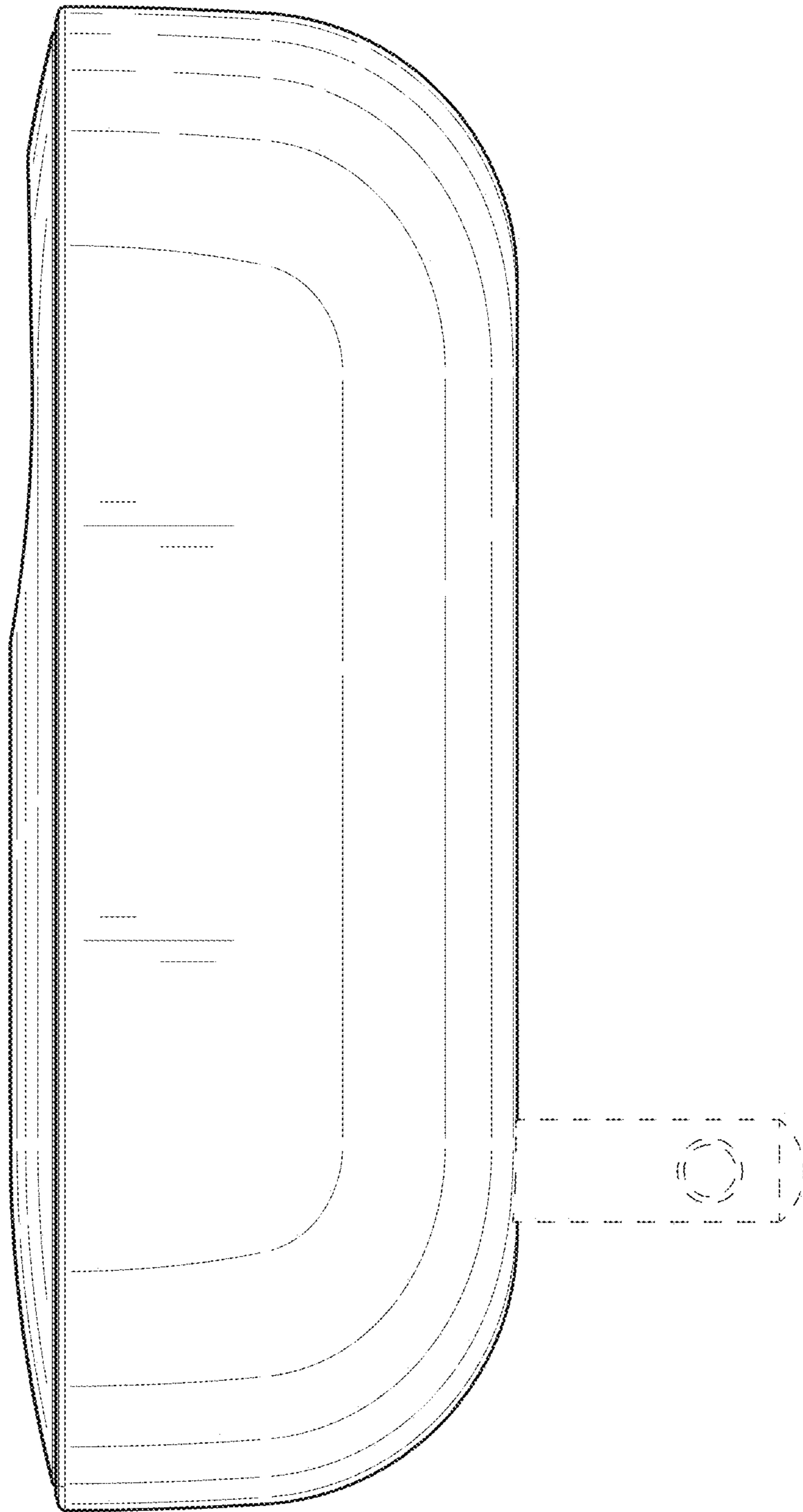


FIG.4

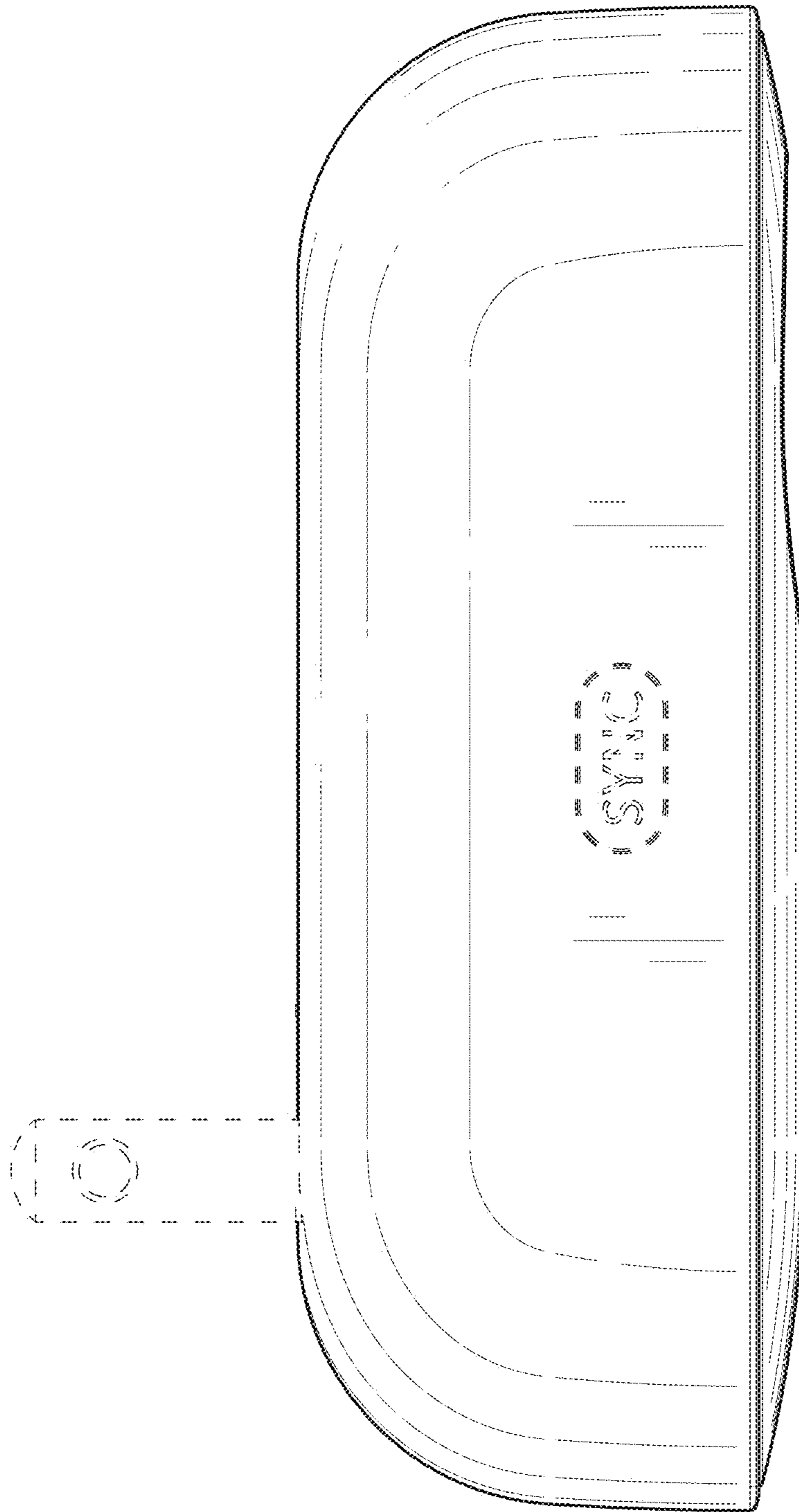


FIG.5

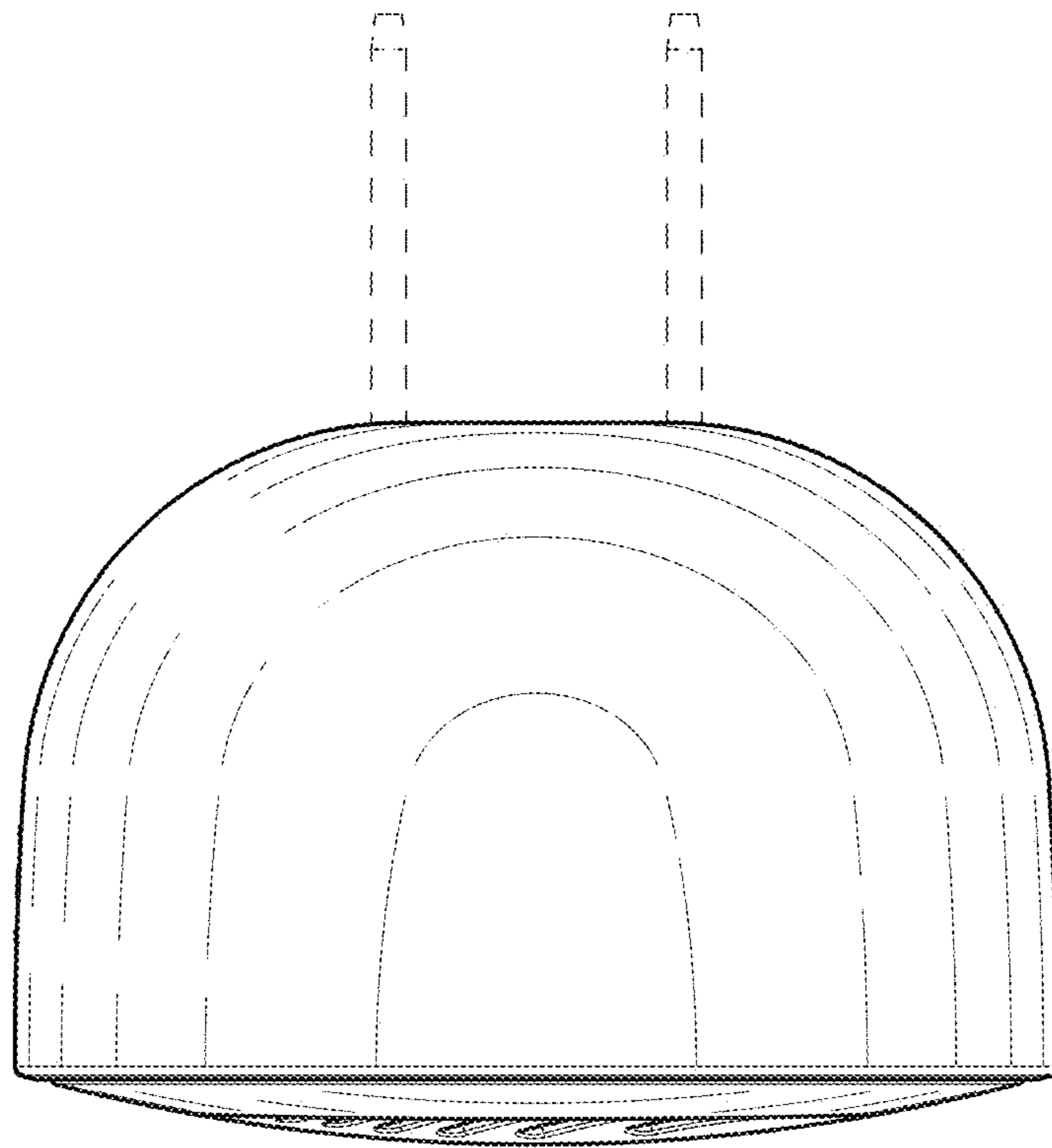


FIG.6

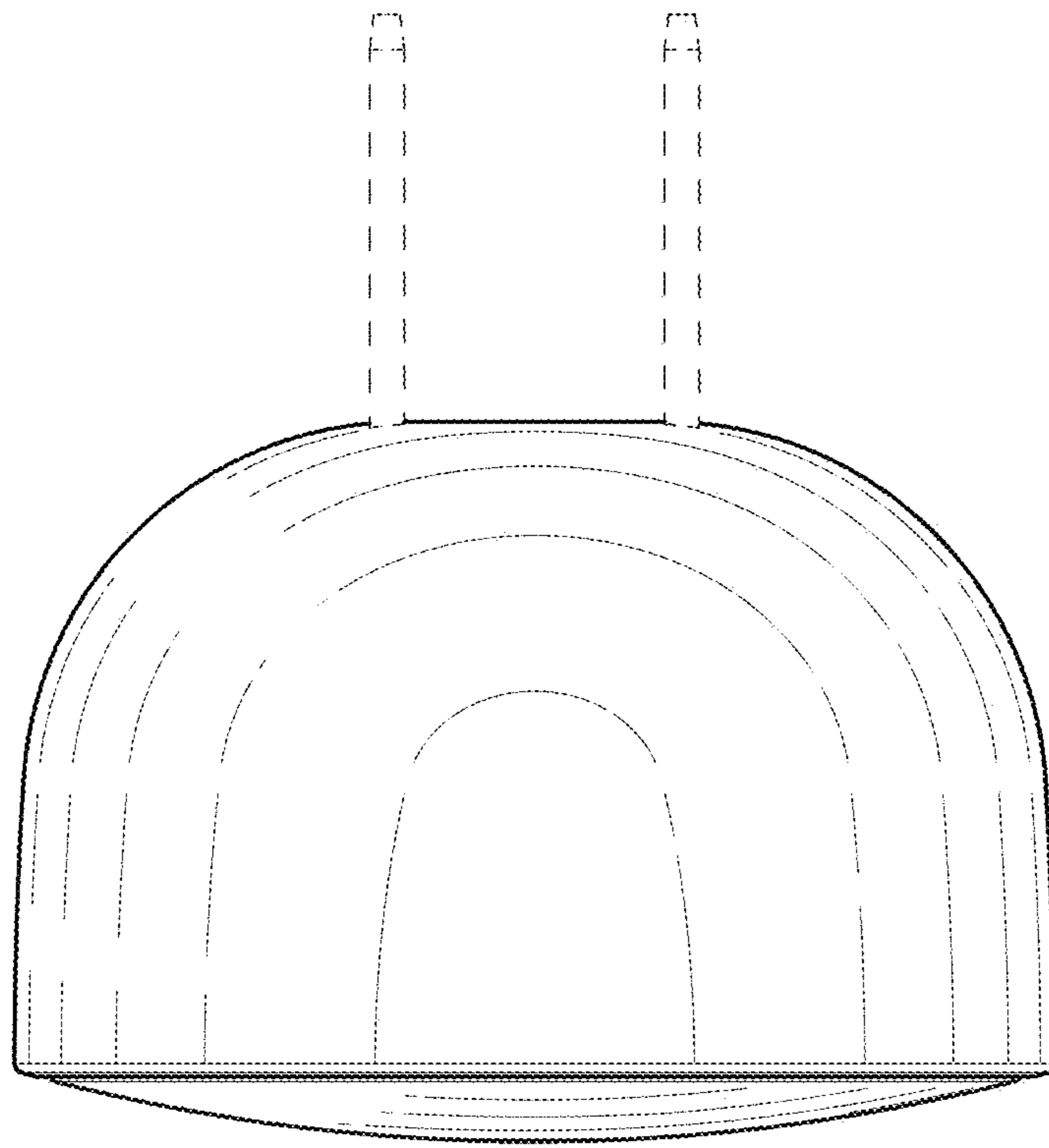


FIG.7