



US00D974213S

(12) **United States Design Patent**
Lu et al.

(10) **Patent No.:** **US D974,213 S**
(45) **Date of Patent:** **** Jan. 3, 2023**

(54) **VIDEO DOORBELL**

(71) Applicant: **Amazon Technologies, Inc.**, Seattle, WA (US)

(72) Inventors: **Wen-Yo Lu**, Pasadena, CA (US); **Mei Hsuan Chen**, Seattle, WA (US); **Matthew J. England**, Santa Monica, CA (US); **Christopher Loew**, Palo Alto, CA (US); **James Siminoff**, Pacific Palisades, CA (US); **Mark D. Siminoff**, Mountain View, CA (US)

(73) Assignee: **Amazon Technologies, Inc.**, Seattle, WA (US)

(**) Term: **15 Years**

(21) Appl. No.: **29/770,779**

(22) Filed: **Feb. 16, 2021**

(51) **LOC (14) Cl.** **10-05**

(52) **U.S. Cl.**
USPC **D10/118.2**

(58) **Field of Classification Search**
USPC D10/106.6, 106.7, 106.8, 116.1, 118, D10/118.1, 118.2, 121-124, 126; D13/171, 174; D14/358; D16/202, 203, D16/208, 209, 215
CPC . A63H 30/00; G08B 3/00; G08B 7/00; G08B 13/1436; G10K 1/00; G10K 3/00
See application file for complete search history.

(56) **References Cited**

U.S. PATENT DOCUMENTS

D185,631 S *	7/1959	Dreyfuss	D13/171
D403,656 S *	1/1999	Ichikawa	D13/103
D415,652 S *	10/1999	Loew	D7/392.1
D588,155 S *	3/2009	Fullerton	D14/496
D606,500 S *	12/2009	Snyder	D13/174
D728,477 S *	5/2015	Meyer	D13/107
D788,061 S *	5/2017	Siminoff	D10/118.2

D789,820 S *	6/2017	Siminoff	D10/118.2
D820,706 S *	6/2018	Siminoff	D10/118.2
D820,707 S *	6/2018	Siminoff	H01H 13/50 D10/118.2
D829,209 S *	9/2018	Zheng	D14/388
D848,300 S *	5/2019	Siminoff	D10/118.2

(Continued)

FOREIGN PATENT DOCUMENTS

KR	3020190020423	*	2/2020
TW	108302981D01	*	10/2020

OTHER PUBLICATIONS

Ring Video Doorbell Wired, reviewed on Feb. 20, 2021 on amazon.com, retrieved from the internet Aug. 1, 2022. <URL:https://www.amazon.com/Ring-Video-Doorbell-Wired/dp/B08CKHPP52/ref=sr_1_1_sspa> (Year: 2021).*

Primary Examiner — Joseph Kukella
Assistant Examiner — Heather Ann Laaveg Wencil
(74) *Attorney, Agent, or Firm* — Lee & Hayes, P.C.

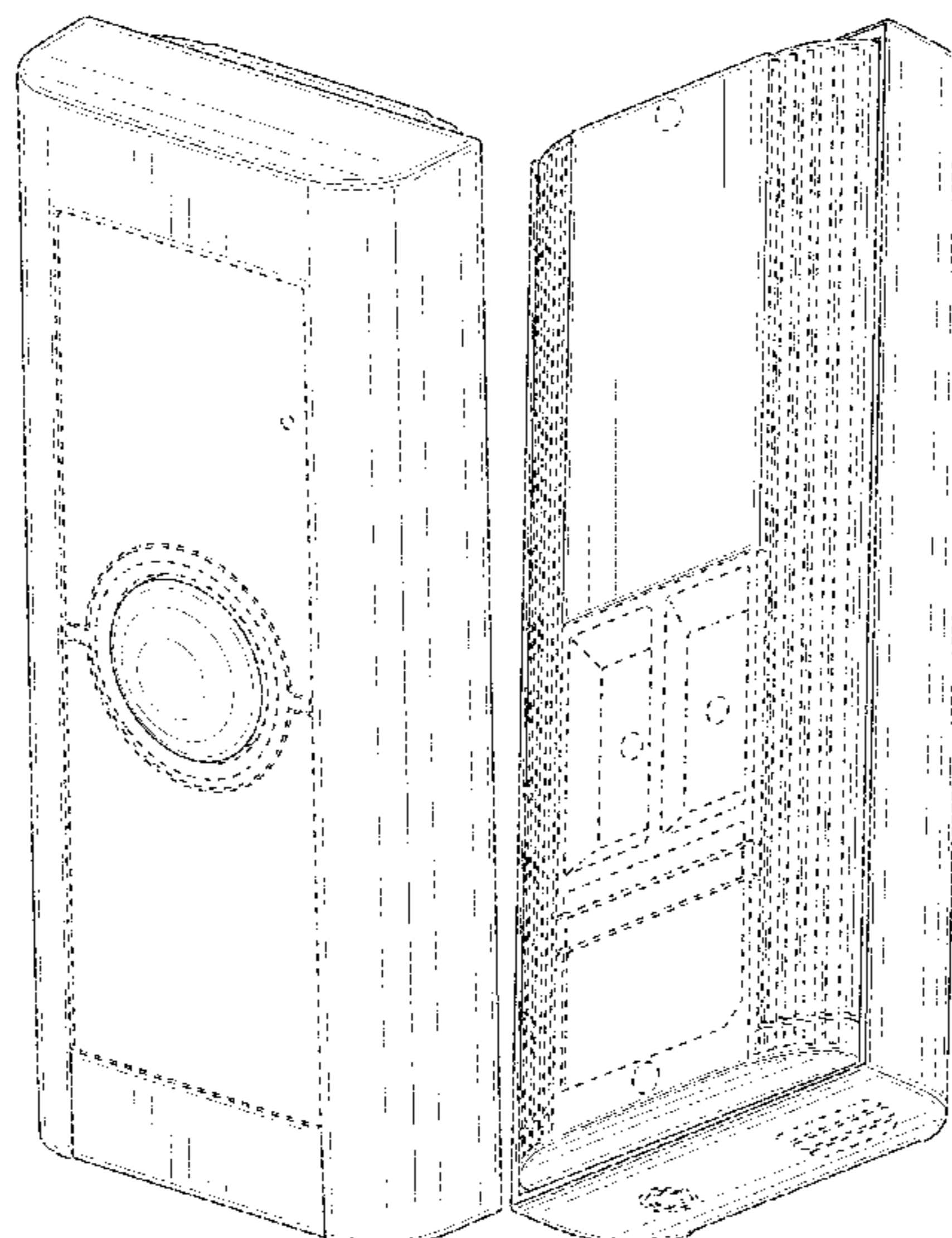
(57) **CLAIM**

The ornamental design for a video doorbell, as shown and described.

DESCRIPTION

FIG. 1 is a top, front, right-side perspective view of a video doorbell;
FIG. 2 is a bottom, back, left-side perspective view thereof;
FIG. 3 is a front view thereof;
FIG. 4 is a back view thereof;
FIG. 5 is a right-side view thereof;
FIG. 6 is a left-side view thereof;
FIG. 7 is a top view thereof; and,
FIG. 8 is a bottom view thereof.
The dashed broken lines depict portions of the video doorbell that form no part of the claimed design.

1 Claim, 8 Drawing Sheets



(56)

References Cited

U.S. PATENT DOCUMENTS

D859,200 S * 9/2019 Siminoff G06V 20/52
D10/118.2
D866,379 S * 11/2019 Siminoff D10/118.2
D870,587 S * 12/2019 Siminoff D10/118.2
D874,551 S * 2/2020 Loew D16/219
2018/0247504 A1* 8/2018 Siminoff G06V 20/52
2021/0159032 A1* 5/2021 Kuo H01H 13/50
2022/0131224 A1* 4/2022 Chen G08B 3/10

* cited by examiner

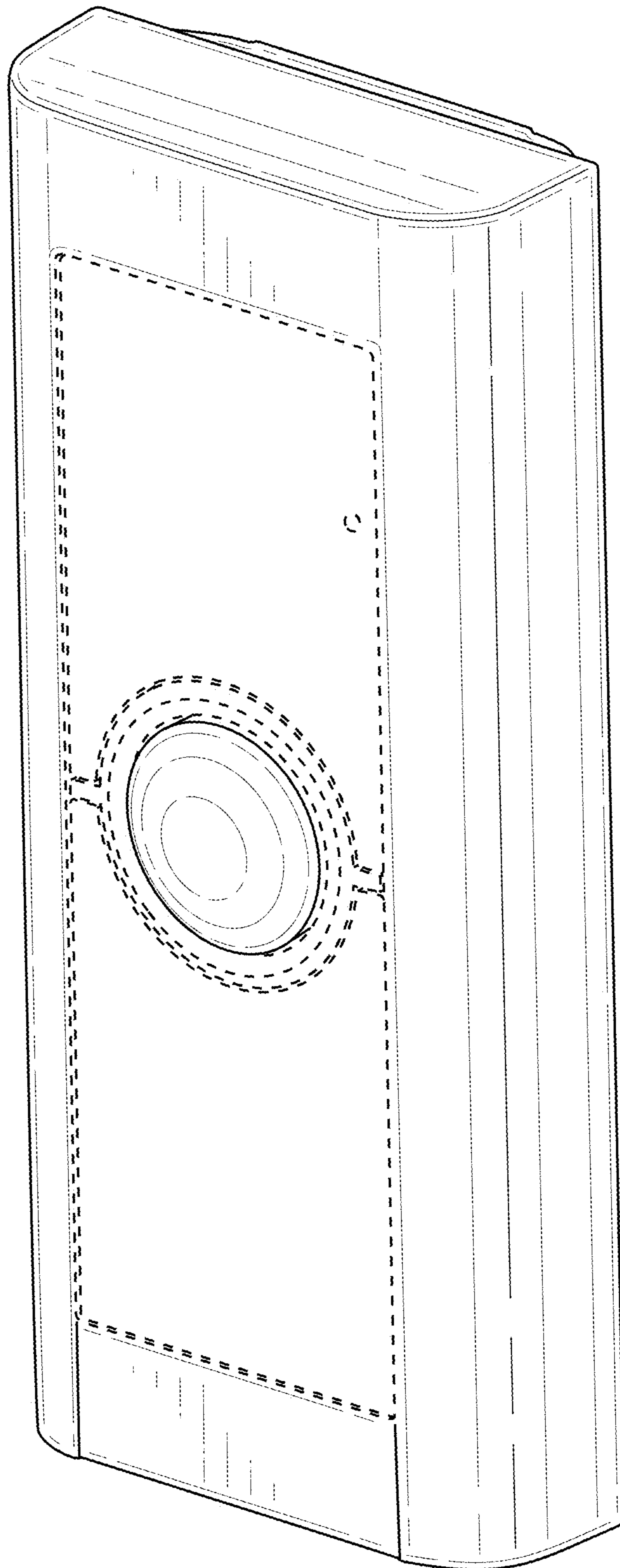


FIG. 1

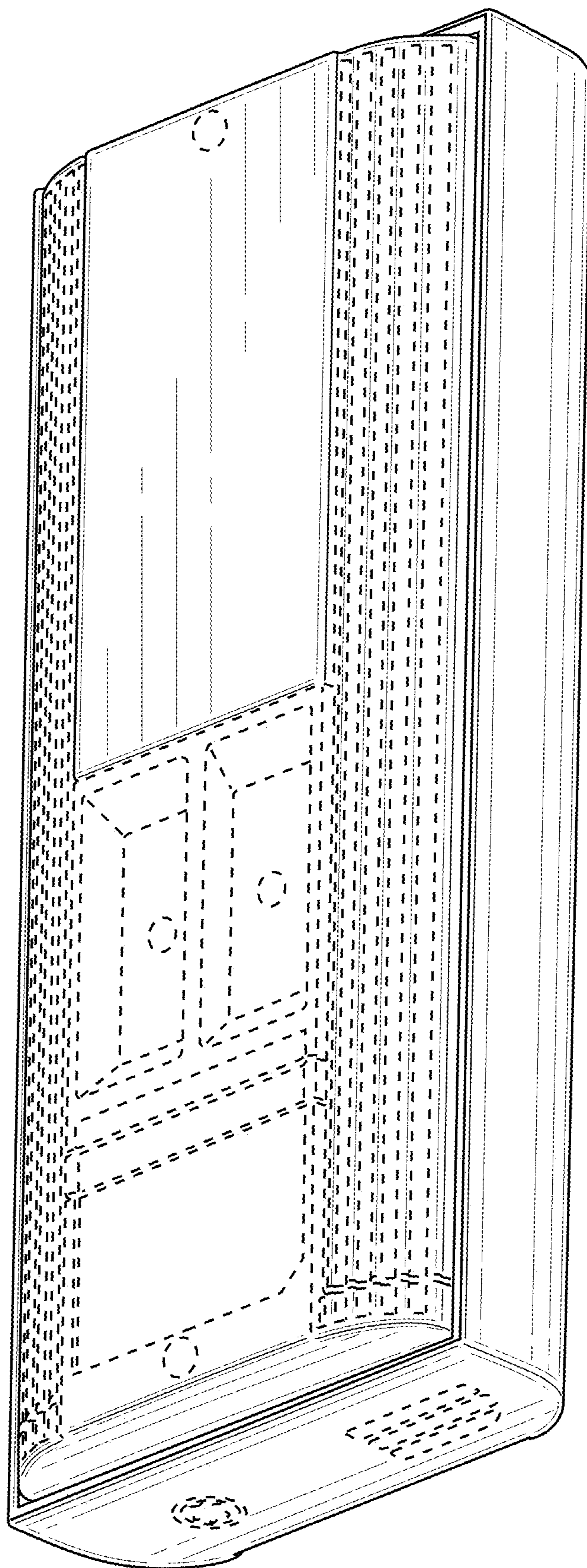


FIG. 2

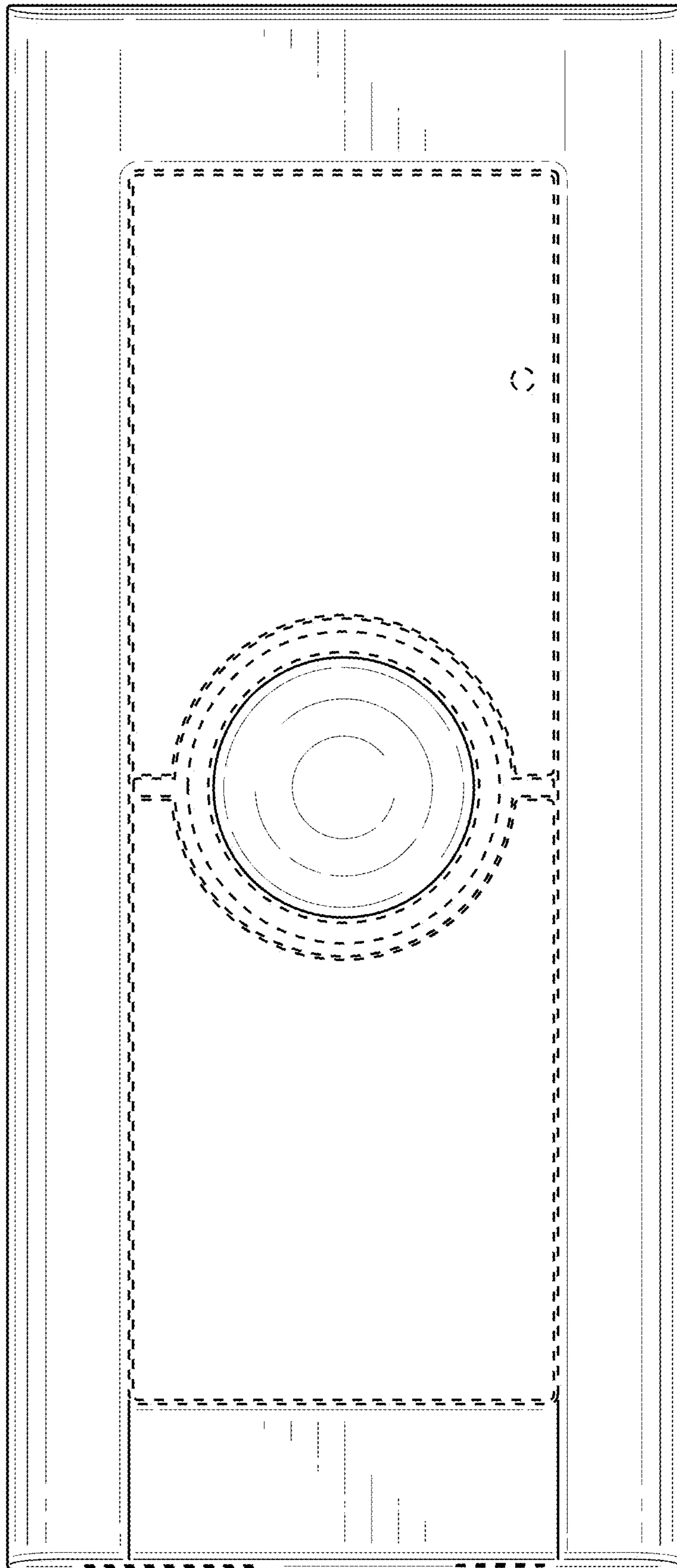


FIG. 3

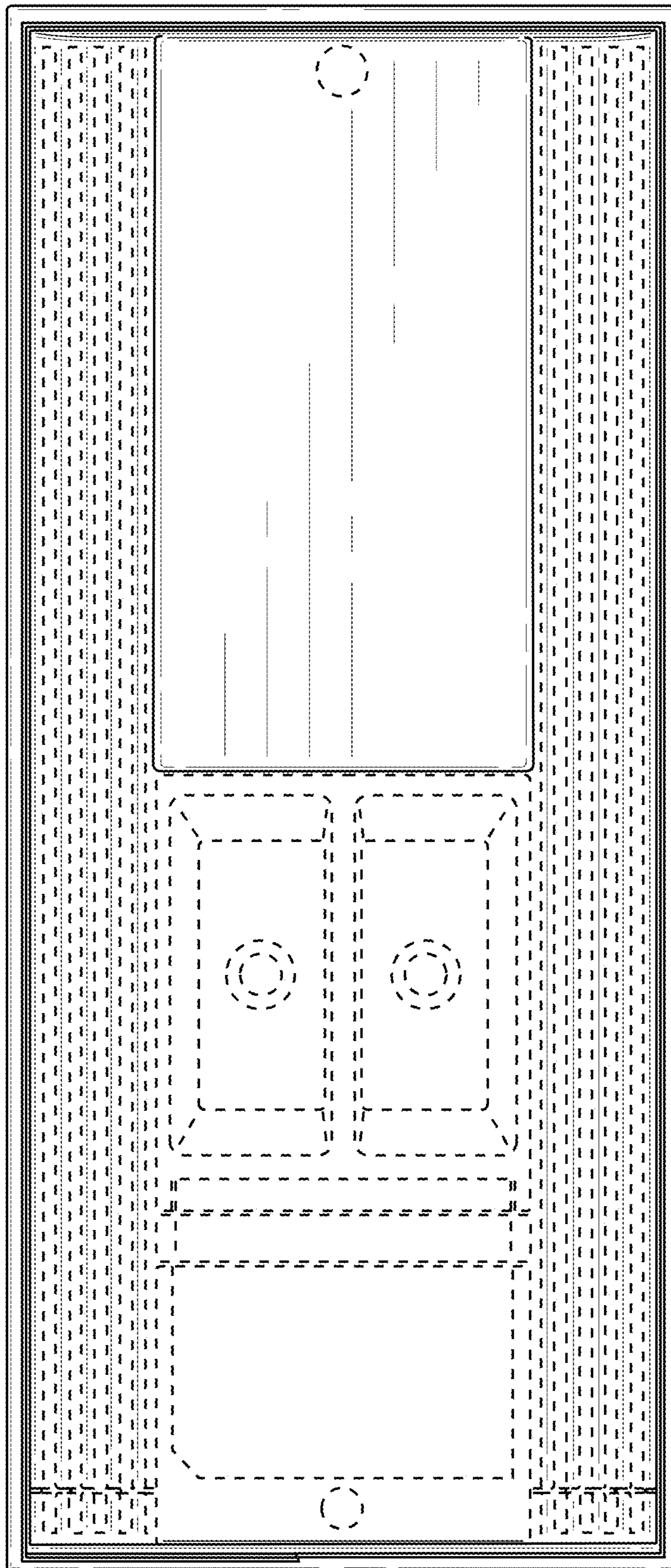


FIG. 4

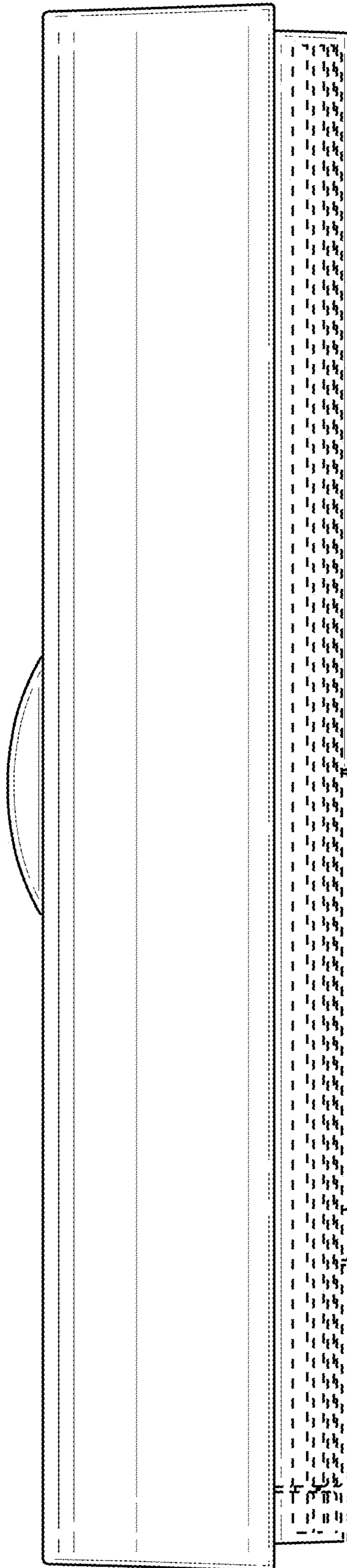


FIG. 5

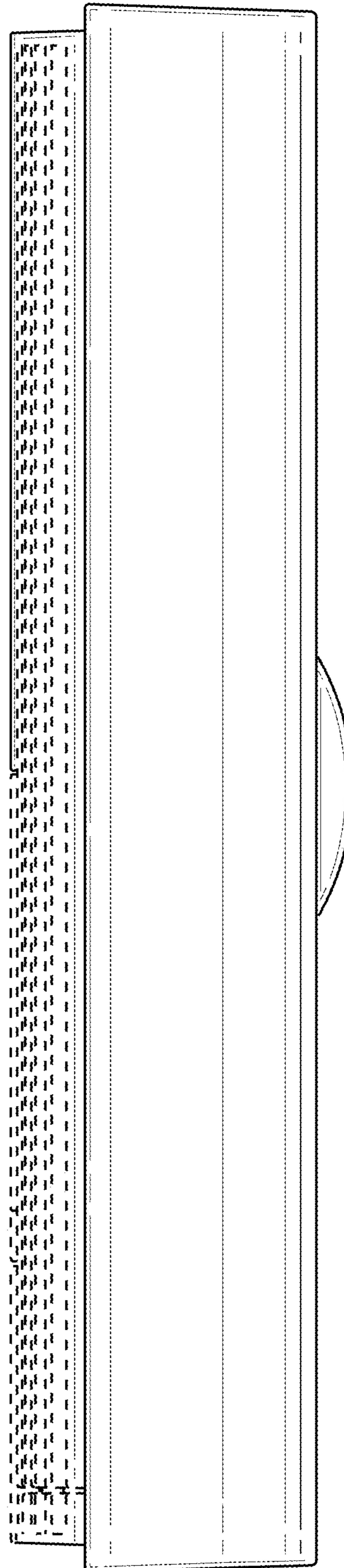


FIG. 6

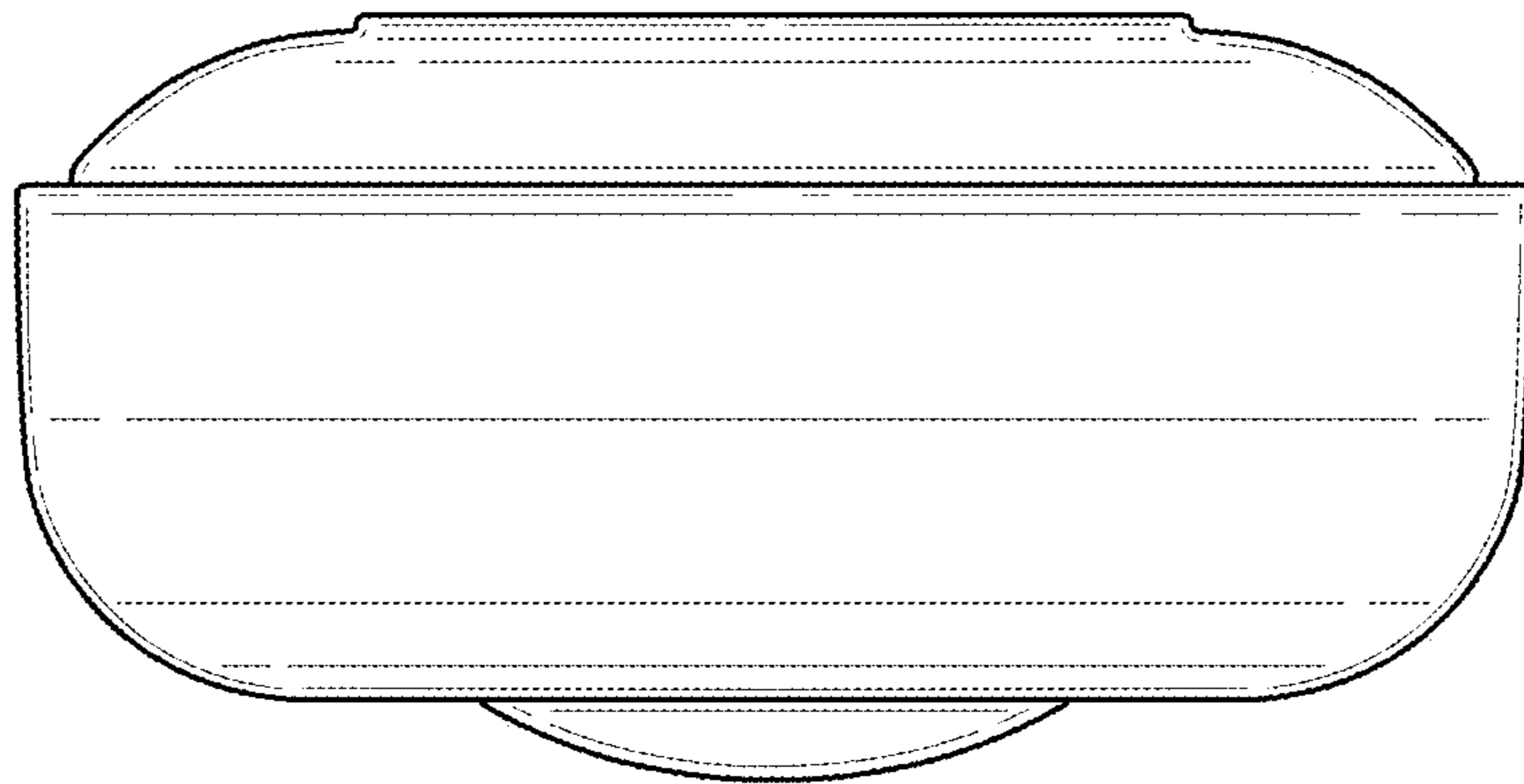


FIG. 7

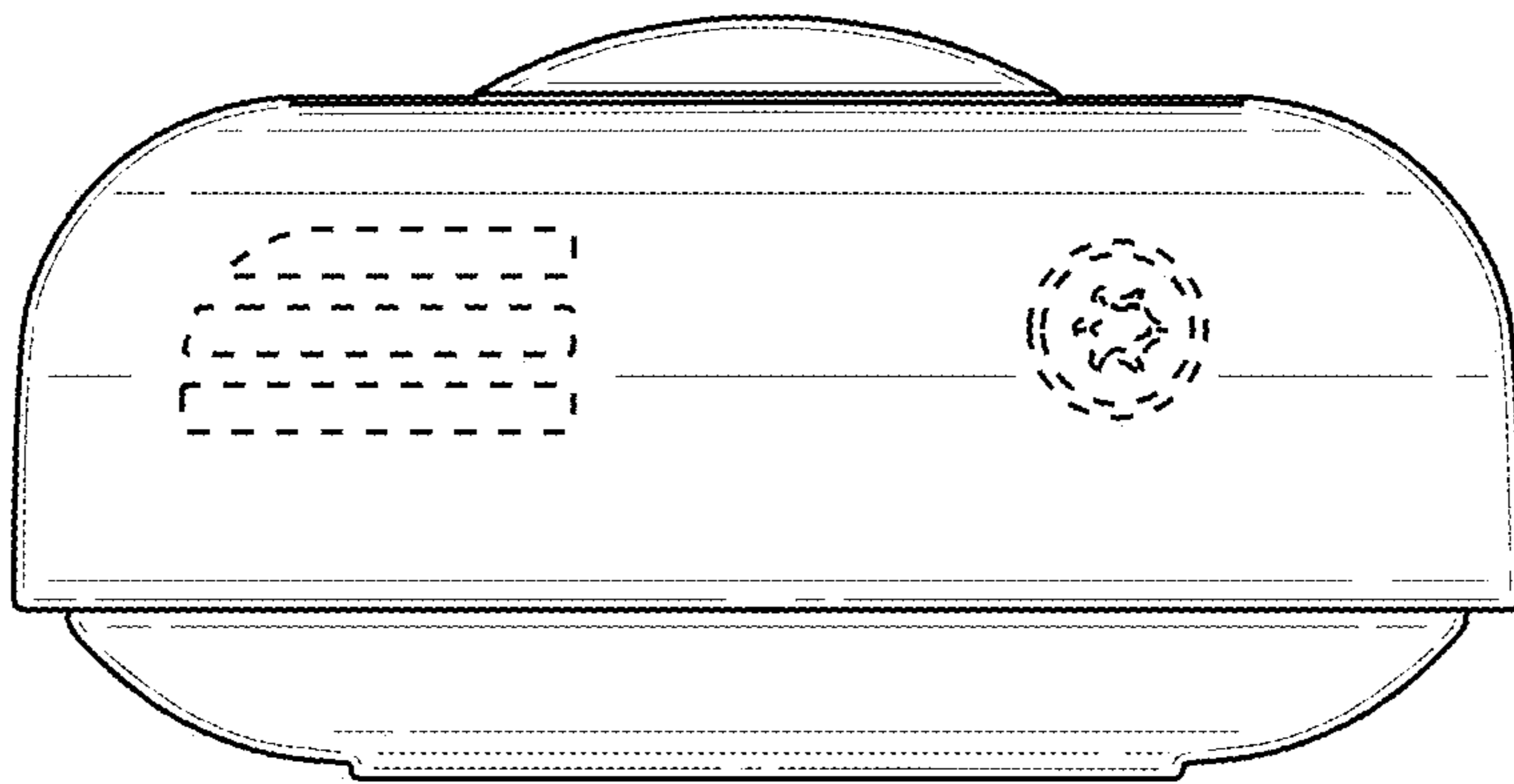


FIG. 8