



US00D974212S

(12) **United States Design Patent**
Belitz et al.

(10) **Patent No.:** **US D974,212 S**
(45) **Date of Patent:** **** Jan. 3, 2023**

(54) **LIGHTING UNIT**

(71) Applicant: **Federal Signal Corporation**, Oak Brook, IL (US)

(72) Inventors: **Duane P. Belitz**, Frankfort, IL (US); **Robert A. Czajkowski**, Tinley Park, IL (US); **Robert J. Hartke**, Beecher, IL (US); **Jeffery M. Loftus**, Tinley Park, IL (US); **Tim Skertich, Jr.**, Crown Point, IN (US); **Aaron Sowers**, Tinley Park, IL (US); **Adam Voss**, Griffith, IN (US)

(73) Assignee: **Federal Signal Corporation**, Oak Brook, IL (US)

(**) Term: **15 Years**

(21) Appl. No.: **29/766,904**

(22) Filed: **Jan. 19, 2021**

(51) **LOC (14) Cl.** **10-05**

(52) **U.S. Cl.**
USPC **D10/114.2**

(58) **Field of Classification Search**
USPC D10/104.1, 106.1–106.5, 106.7–106.9,
D10/106.95, 109.1–109.2, 110, 111,
(Continued)

(56) **References Cited**

U.S. PATENT DOCUMENTS

3,784,809 A * 1/1974 Smith B60Q 1/2611
340/471
5,490,046 A 2/1996 Gohl
(Continued)

FOREIGN PATENT DOCUMENTS

CN 306599727 * 6/2021
EP 2297747 A2 3/2011

OTHER PUBLICATIONS

Night Spire Brochure, published brochure from Federal Signal Corporation 2021, retrieved from internet Jun. 22, 2022. <URL:

<https://zips.com/docs/default-source/parts-brochures/federal-signal/federal-signal-night-spire-brochure.pdf>> (Year: 2021).*

(Continued)

Primary Examiner — Joseph Kukella
Assistant Examiner — Heather Ann Laaveg Wencil
(74) *Attorney, Agent, or Firm* — Merchant & Gould P.C.

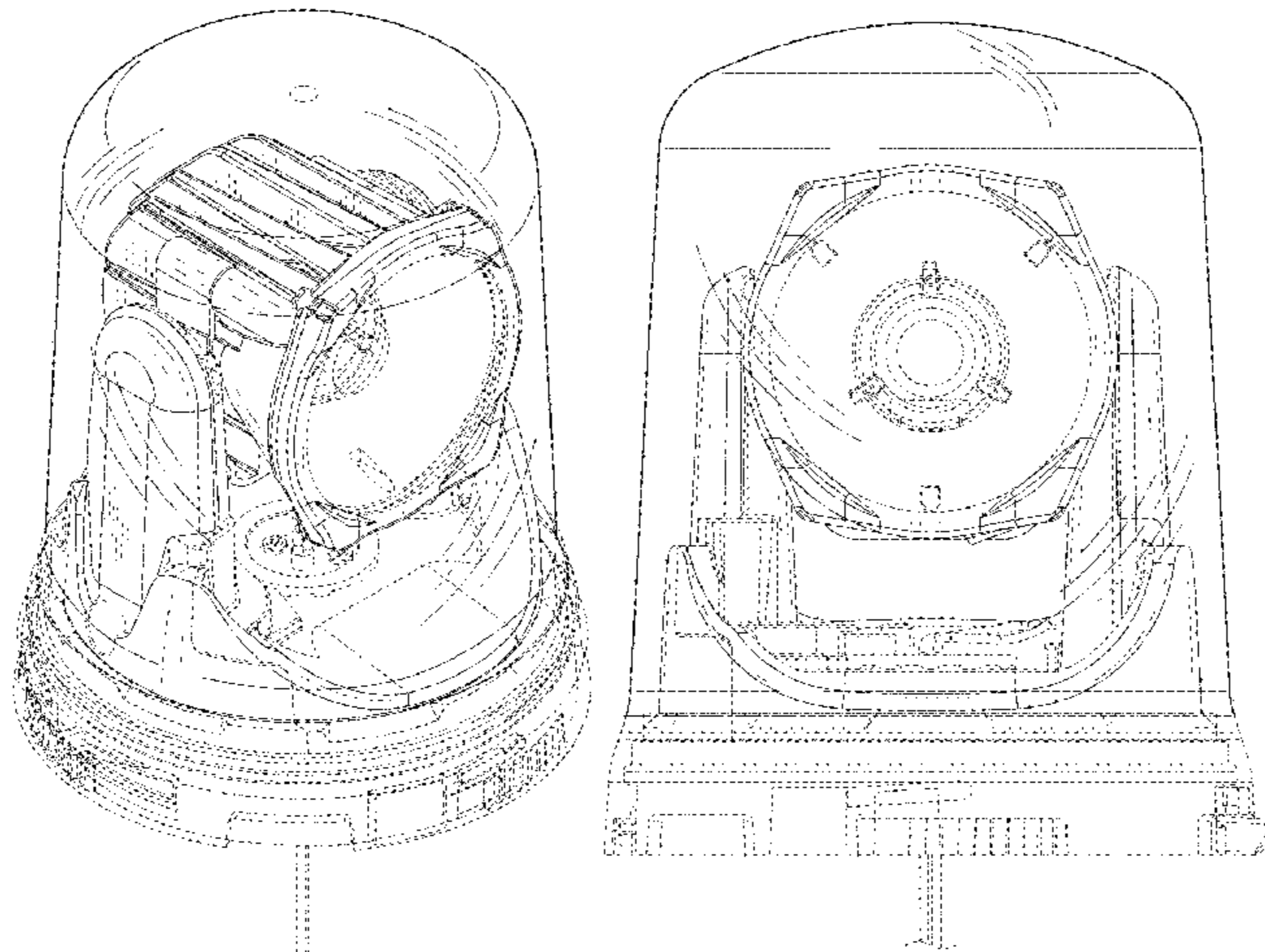
(57) **CLAIM**

The ornamental design for a lighting unit, as shown and described.

DESCRIPTION

FIG. 1 is a top, left side perspective view of the lighting unit. FIG. 2 is a front plan view of the lighting unit. FIG. 3 is a rear plan view of the lighting unit. FIG. 4 is a right side plan view of the lighting unit. FIG. 5 is a left side plan view of the lighting unit. FIG. 6 is a top plan view of the lighting unit. FIG. 7 is a bottom plan view of the lighting unit. FIG. 8 is a bottom, left side perspective view of the lighting unit. FIG. 9 is a top, right side perspective view of the lighting unit. FIG. 10 is bottom, right side perspective view of the lighting unit. FIG. 11 is a top, left side perspective view of the lighting unit without its outer transparent cover, for ease of illustration of the claimed design of FIGS. 1-10. FIG. 12 is a bottom, left side perspective view of the lighting unit without its outer transparent cover, for ease of illustration of the claimed design of FIGS. 1-10. FIG. 13 is a top, left side perspective view of the outer transparent cover of the lighting unit in isolation, for ease of illustration of the claimed design of FIGS. 1-10; and, FIG. 14 is a bottom, right side perspective view of the outer transparent cover of the lighting unit in isolation, for ease of illustration of the claimed design of FIGS. 1-10. The broken line showing of the lighting unit throughout FIGS. 1-14 is included for the purpose of illustrating environmental structure and forms no part of the claimed design.

(Continued)



The broken lines throughout FIGS. 1-14 in an alternating dot-dash pattern are representative of a boundary between claimed and unclaimed features and themselves form no part of the claimed design.

1 Claim, 14 Drawing Sheets

(58) **Field of Classification Search**

USPC D10/114.1-114.8; D12/190, 401, 406,
D12/412, 414; D13/165; D16/202-203,
D16/214-215; D26/28, 35-36, 52, 72,
D26/102, 104, 118-119, 120, 122
CPC F21W 2102/00-40; F21W 2103/00-60;
A42B 3/0433; A42B 3/044
See application file for complete search history.

(56) **References Cited**

U.S. PATENT DOCUMENTS

5,673,989 A 10/1997 Gohl
D515,228 S 2/2006 Gebhard
D520,548 S * 5/2006 Tsai D16/203
D556,803 S * 12/2007 Ishida D16/202
D575,424 S 8/2008 Gebhard
D580,284 S 11/2008 Gebhard
D592,088 S * 5/2009 Miller D10/114.8
D598,799 S * 8/2009 Shigematsu D10/114.8
D612,760 S * 3/2010 Chen D10/114.8
7,789,525 B2 * 9/2010 Vinther F21V 23/02
362/426
D664,285 S * 7/2012 Toft F21V 21/30
D26/118
D666,346 S 8/2012 Gebhard
D694,928 S * 12/2013 Chen D26/63
D710,042 S * 7/2014 Georgitsis D26/28
D716,863 S * 11/2014 Zutell D16/203
9,036,102 B2 5/2015 Galstian
D734,521 S 7/2015 Gebhard
D734,887 S 7/2015 Gebhard

D736,430 S * 8/2015 Ko D26/28
D745,990 S 12/2015 Gebhard
9,255,687 B2 2/2016 Gebhard
9,409,512 B2 * 8/2016 Stein B60Q 1/2611
9,423,090 B1 8/2016 Deyaf
9,423,092 B1 8/2016 Deyaf
D772,446 S * 11/2016 Largent D26/28
D827,899 S * 9/2018 Li F21V 21/40
D10/114.2
10,330,295 B1 * 6/2019 Uke F21V 21/30
D861,202 S * 9/2019 Renvall F21V 21/30
D26/63
D866,034 S * 11/2019 Fujisawa F21V 21/40
D26/141
D898,265 S * 10/2020 Bao F21V 23/02
D26/63
D930,214 S * 9/2021 Kallestrup F21V 21/30
D26/63
2008/0062692 A1 * 3/2008 Andersen F21V 7/22
362/275
2009/0323364 A1 * 12/2009 Bornhorst F21V 21/40
362/418
2010/0067226 A1 * 3/2010 Higuchi F21V 29/75
362/235
2011/0090415 A1 4/2011 Asatryan
2011/0216257 A1 9/2011 Galstian
2011/0261568 A1 * 10/2011 Dalsgaard F21V 21/30
362/249.03
2018/0156430 A1 * 6/2018 Johansen F21V 21/40

OTHER PUBLICATIONS

Federal Signal Corporation Visibeam Series, retrieved as of Jan. 19, 2021 from <https://worktruck.fedsig.com/product/visibeam-series>, 3 pages.
Golight Remote Control Lights, retrieved as of Jan. 19, 2021 from https://golight.com/remote-lights/?ia_cat=remote-control-light, 43 pages.
LensVector Lens, retrieved as of Jan. 19, 2021 from <https://www.lensvector.com/products/>, 2 pages.
Feniex, AI Cube, retrieved as of Jan. 19, 2021 from <https://www.feniex.com/scene-lights/ai-cube>, 3 pages.

* cited by examiner

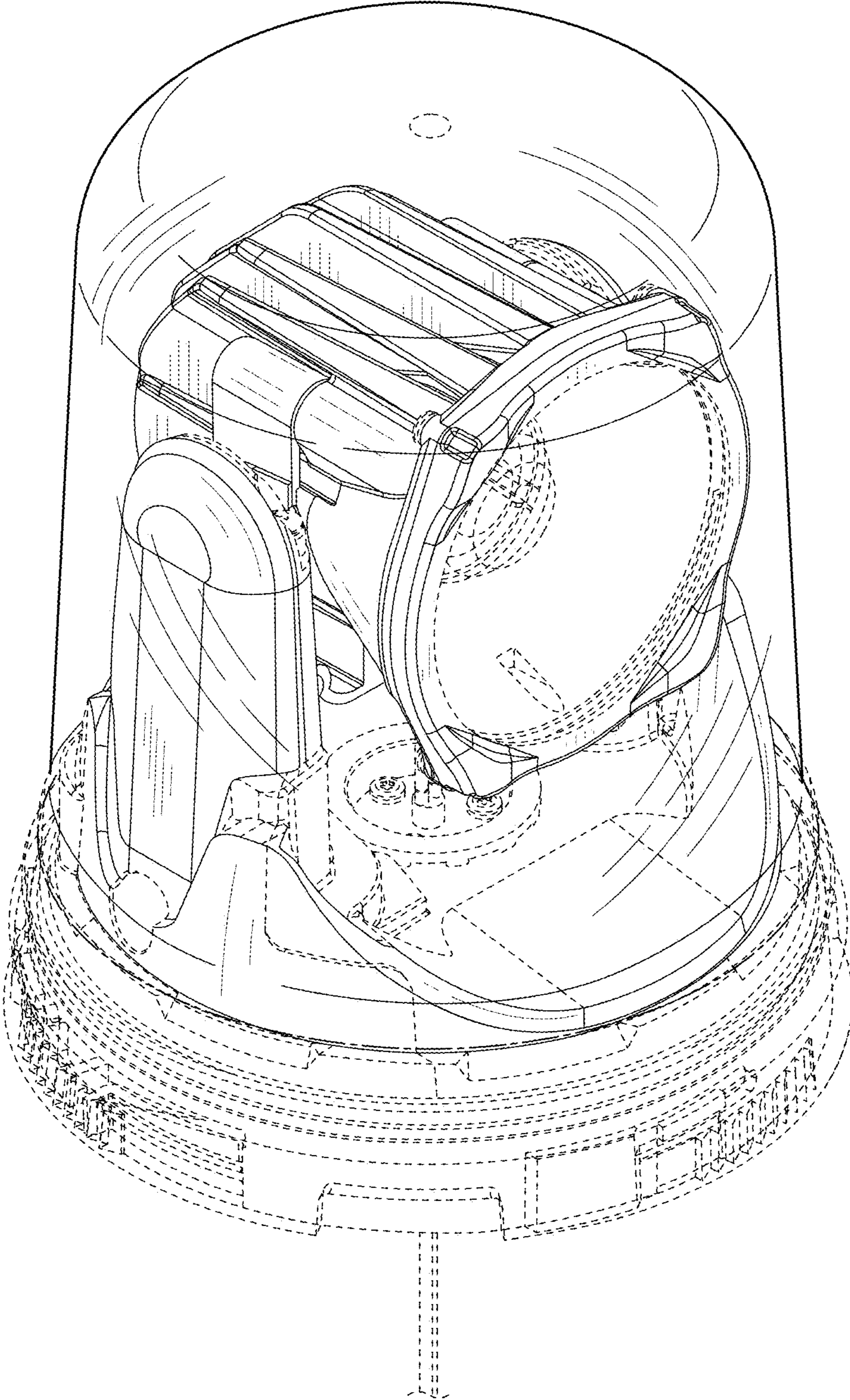


FIG. 1

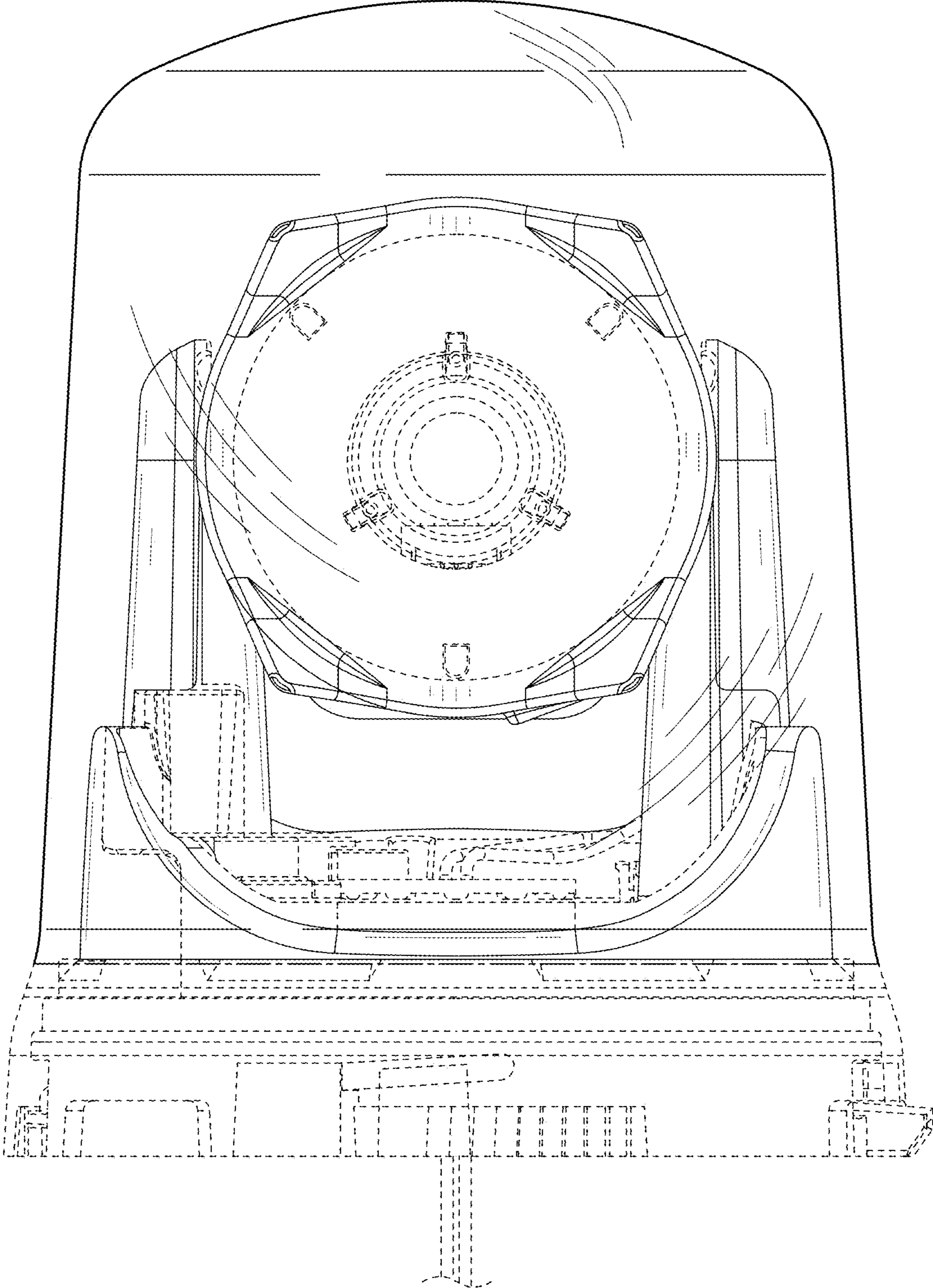


FIG. 2

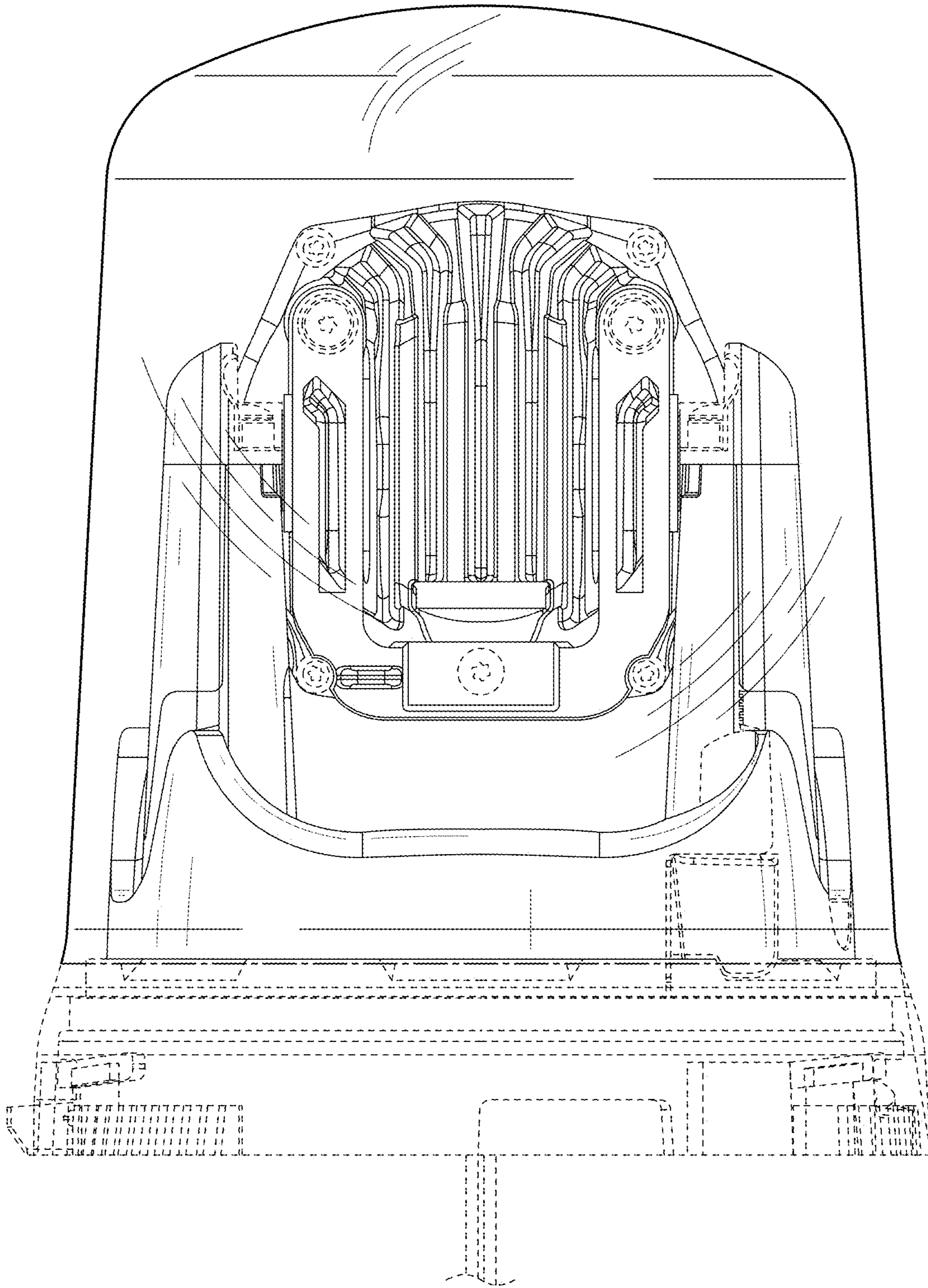


FIG. 3

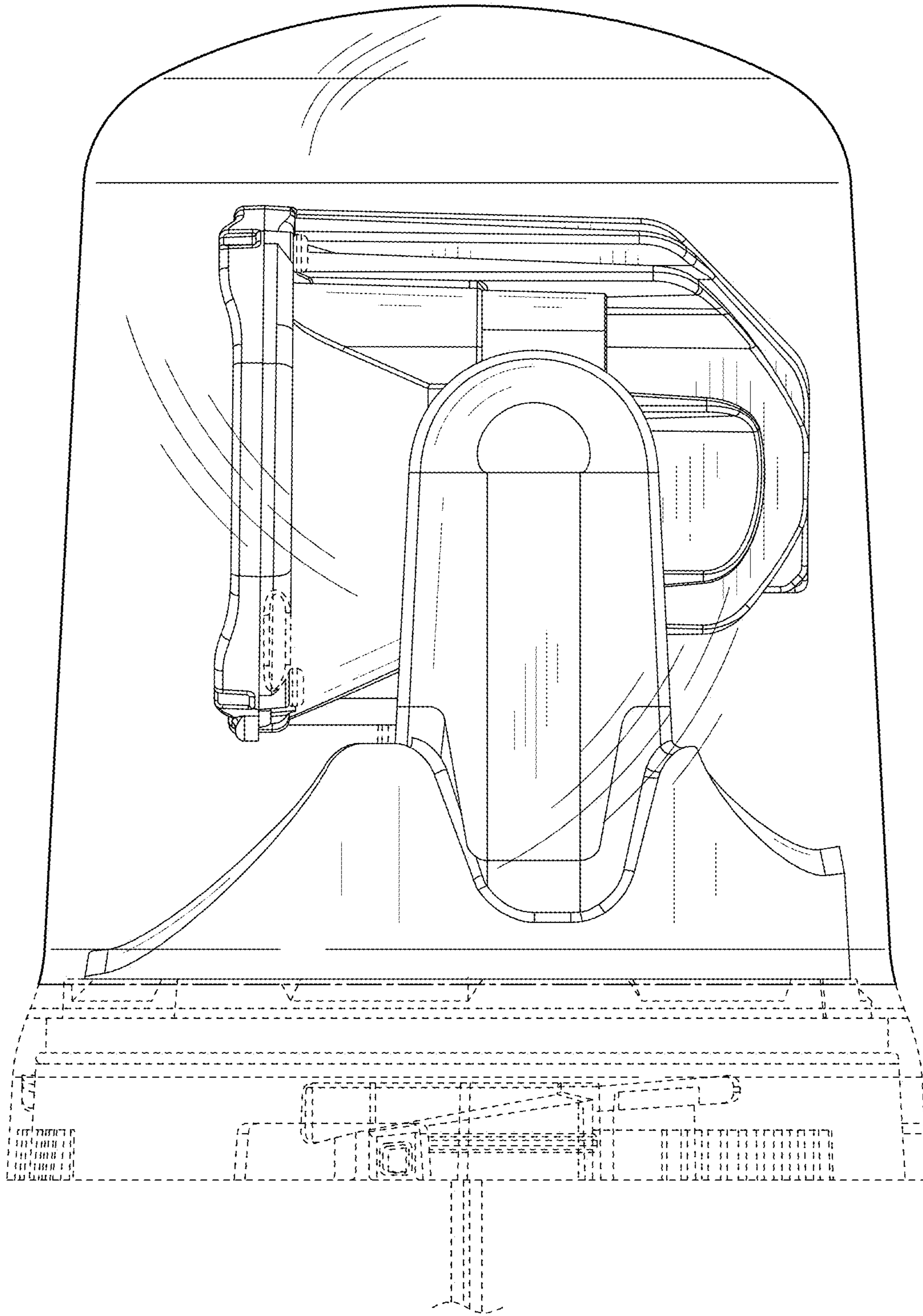


FIG. 4

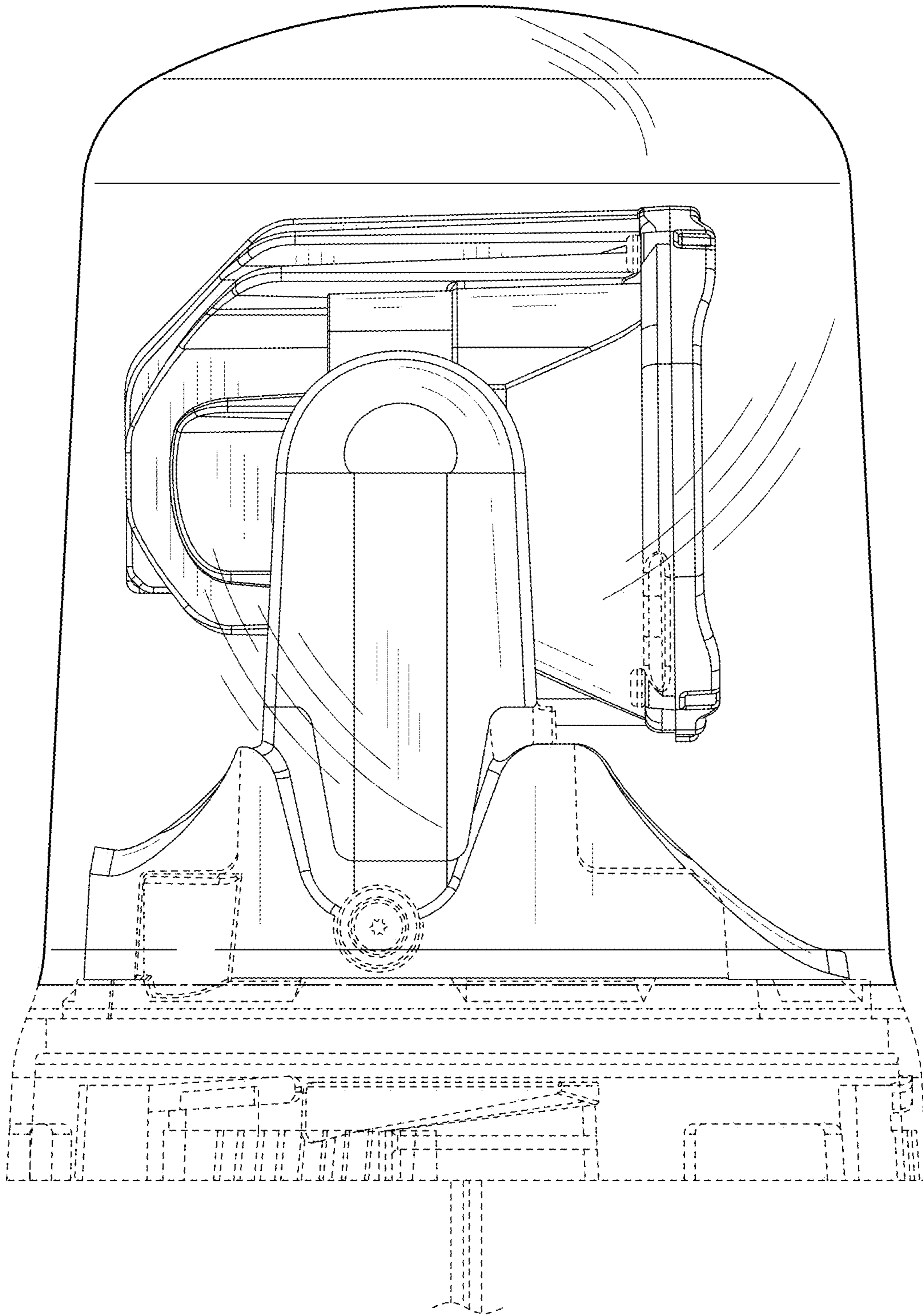


FIG. 5

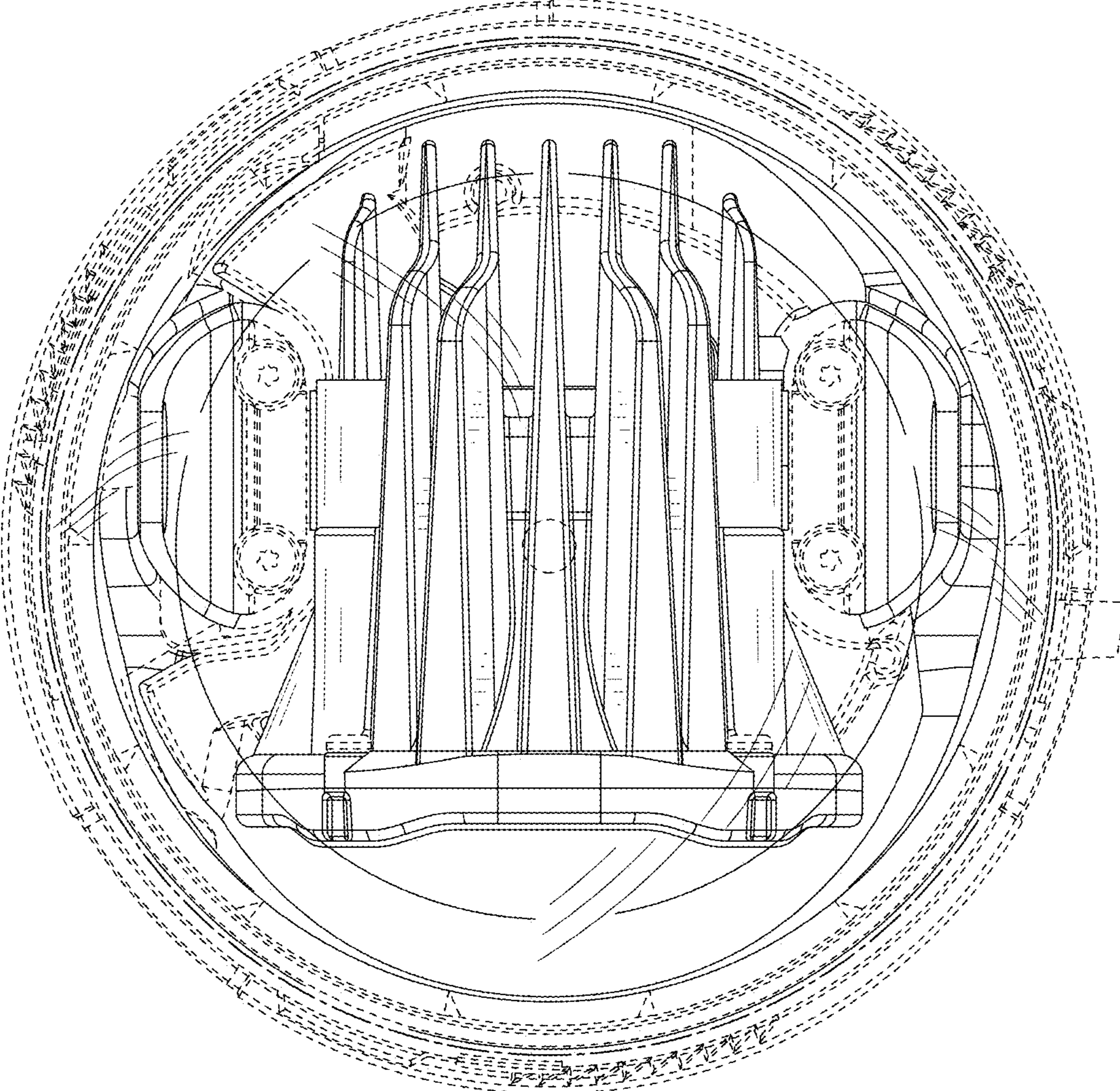


FIG. 6

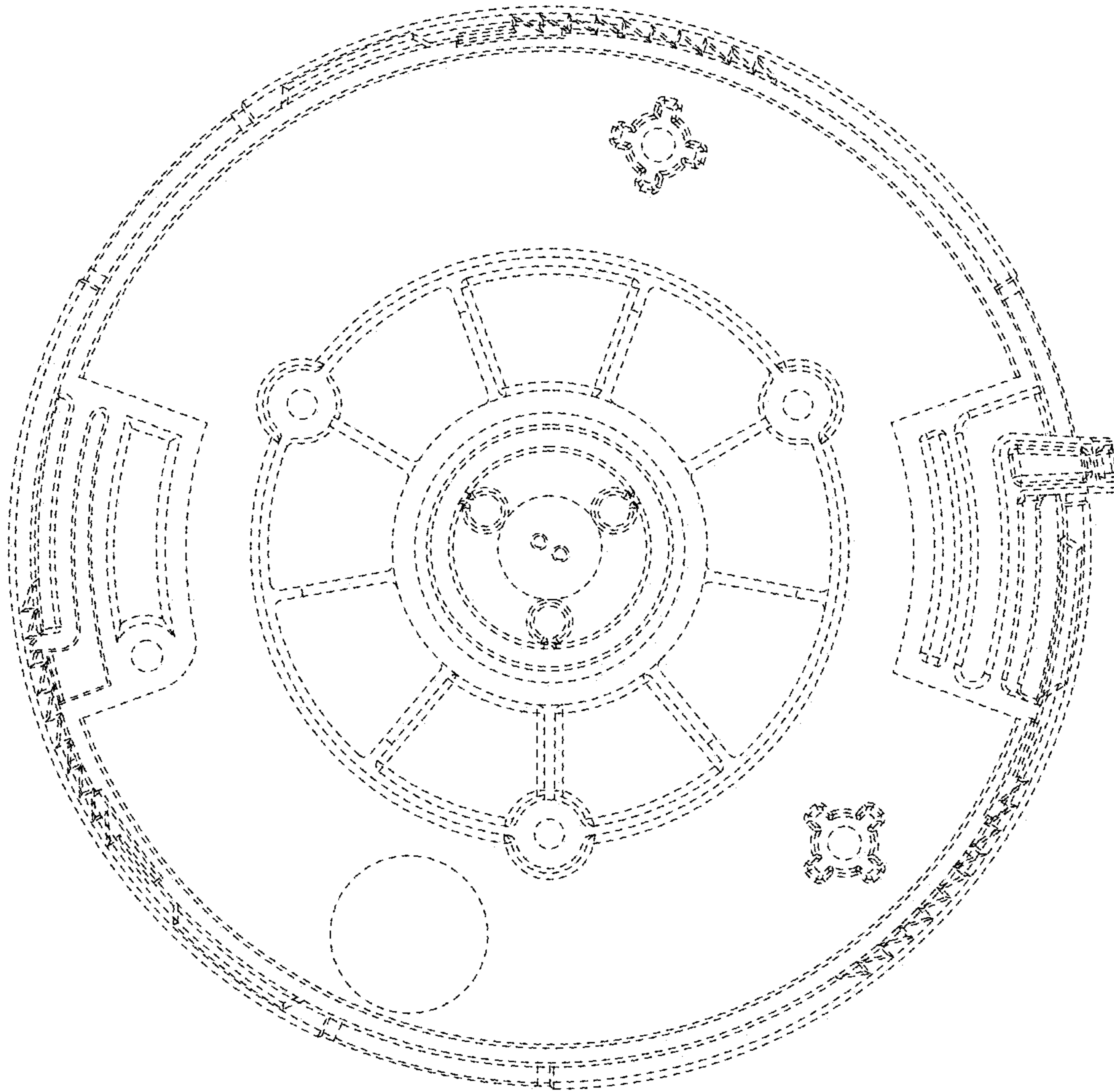


FIG. 7

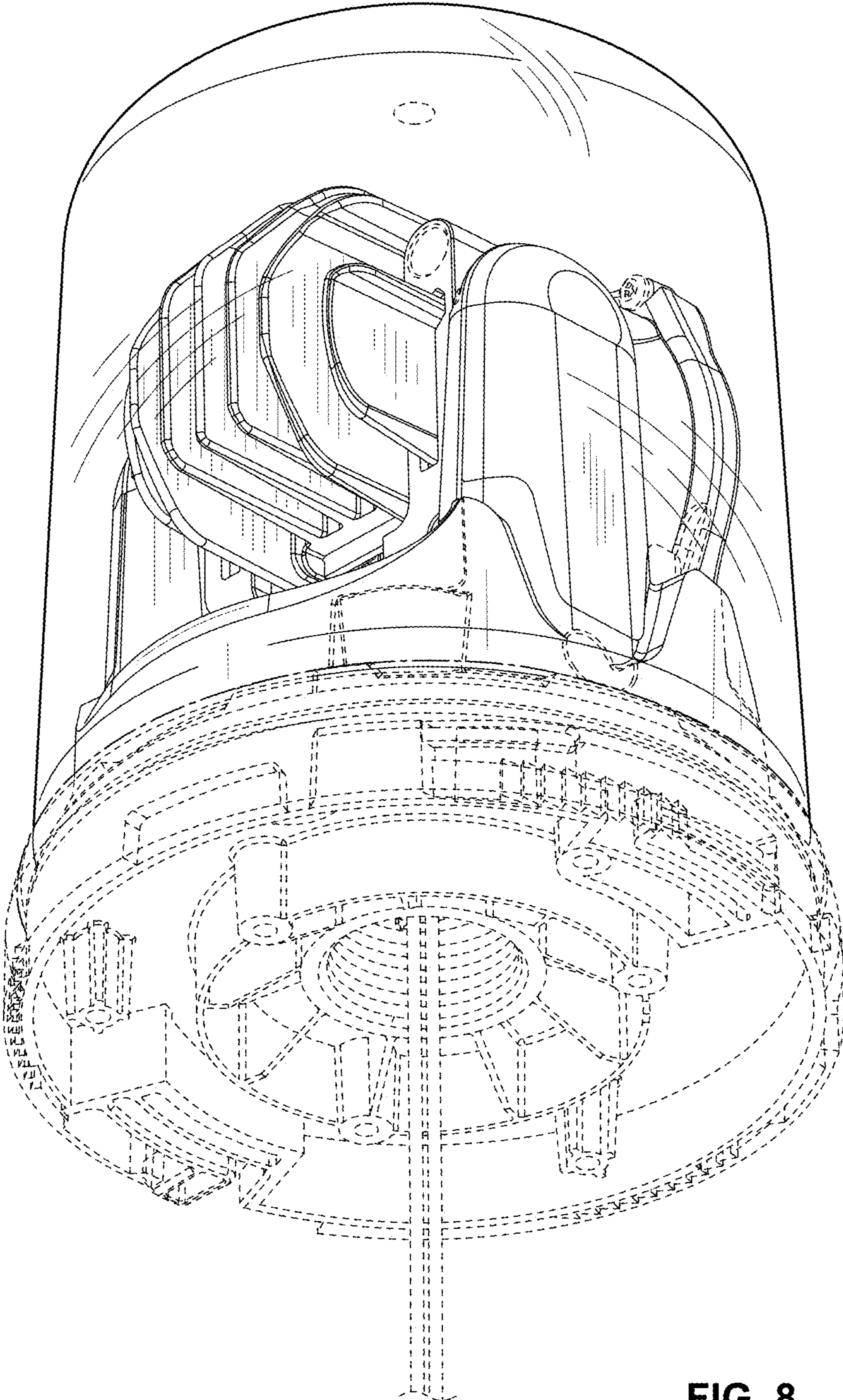


FIG. 8

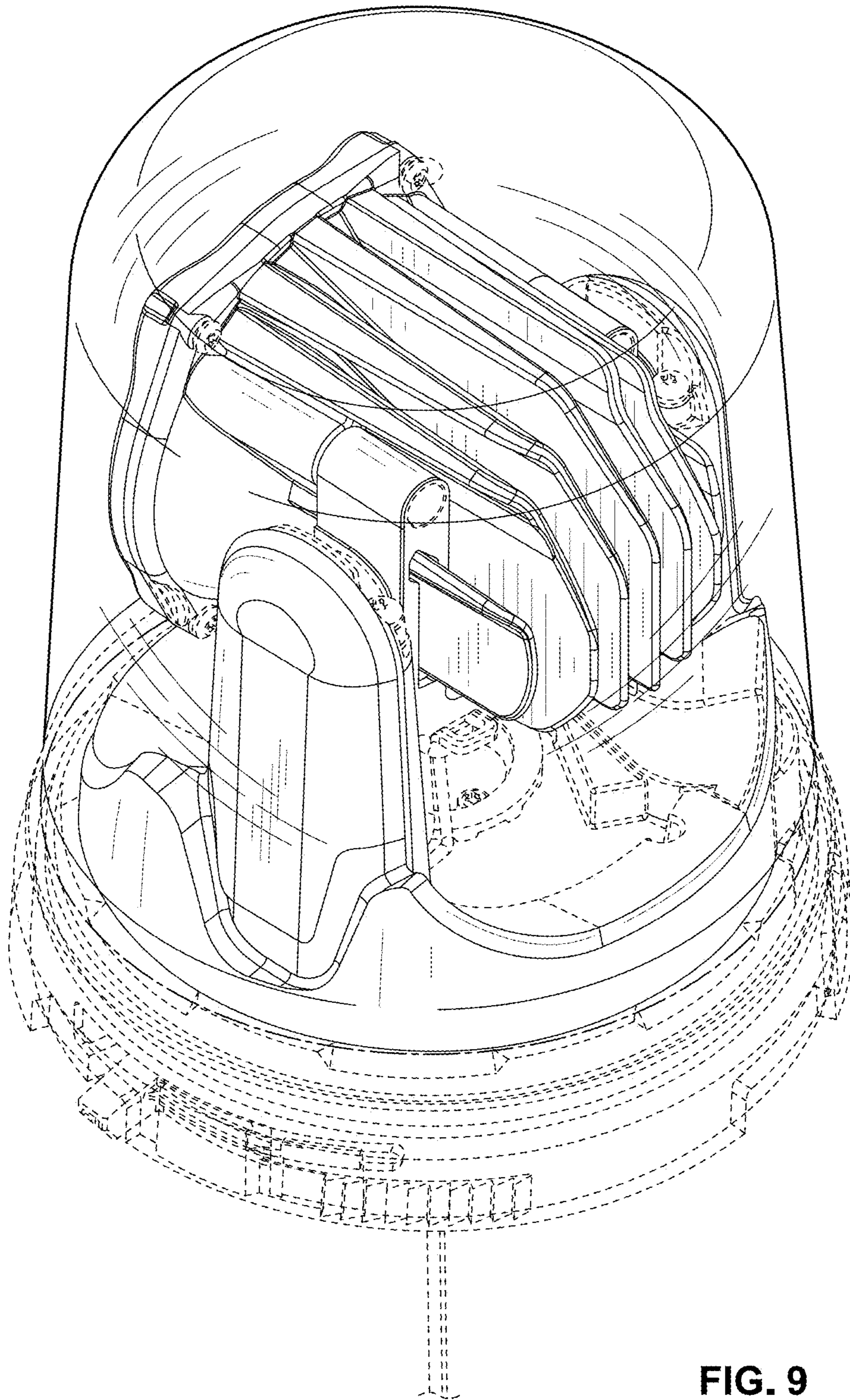


FIG. 9

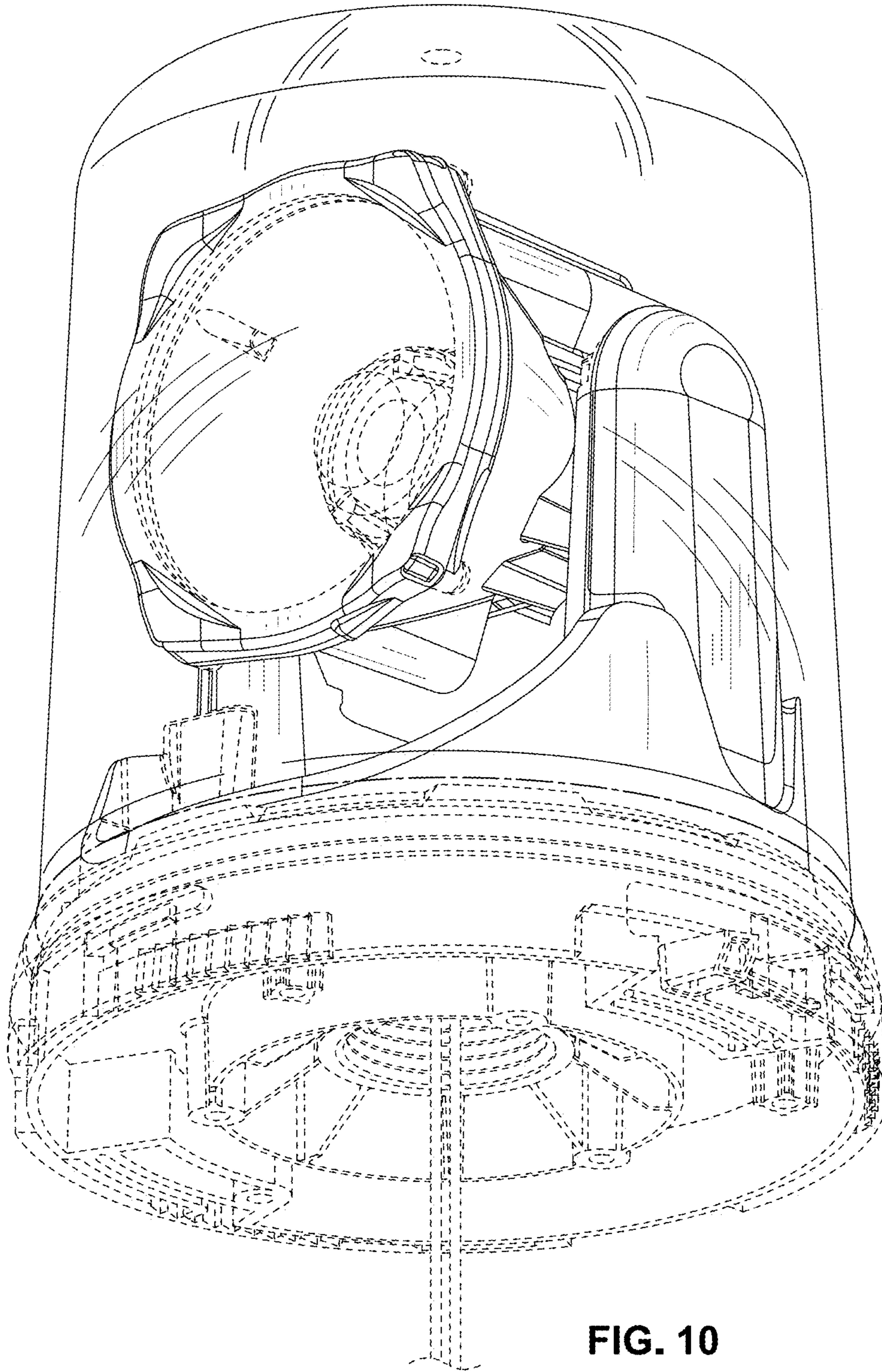


FIG. 10

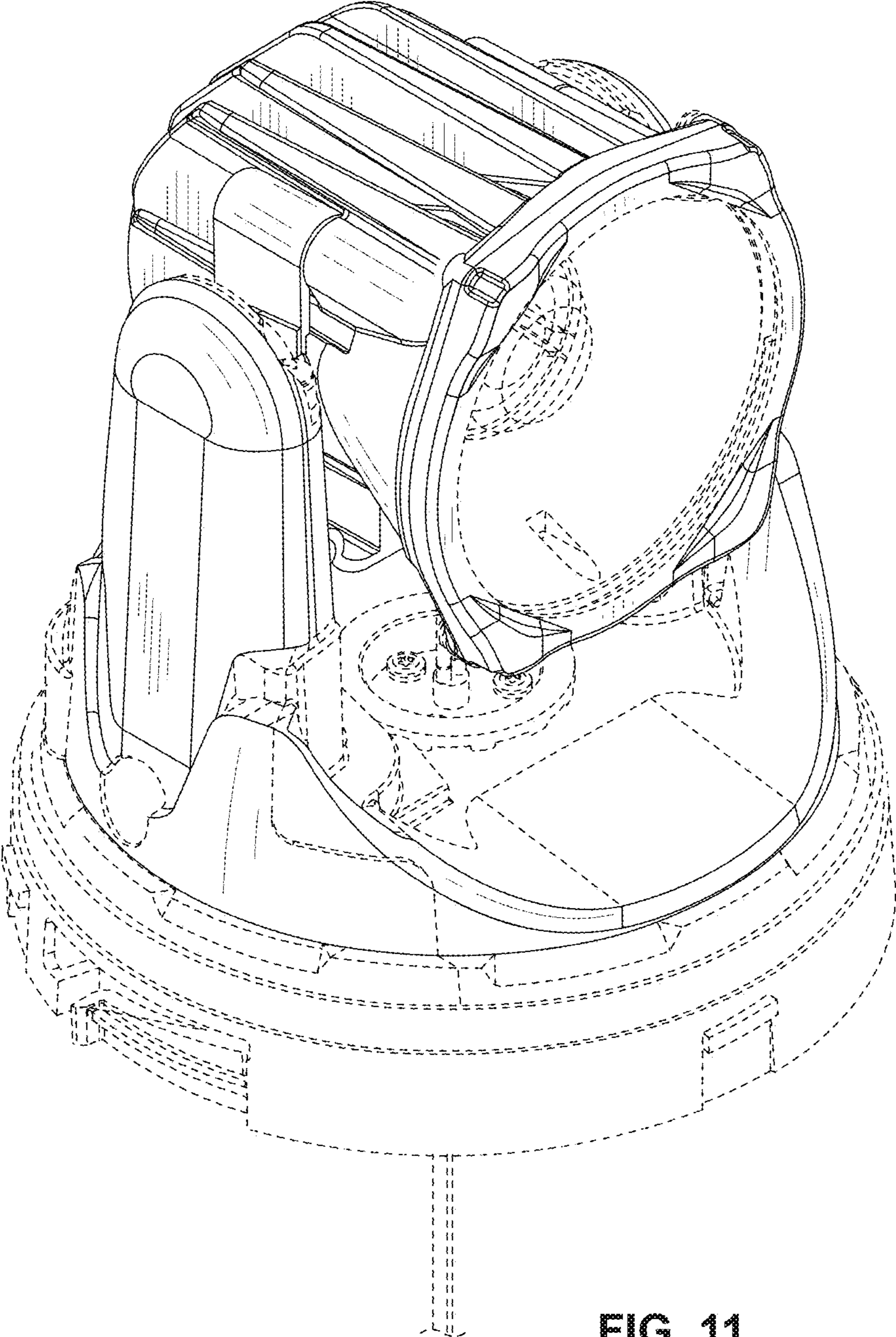


FIG. 11

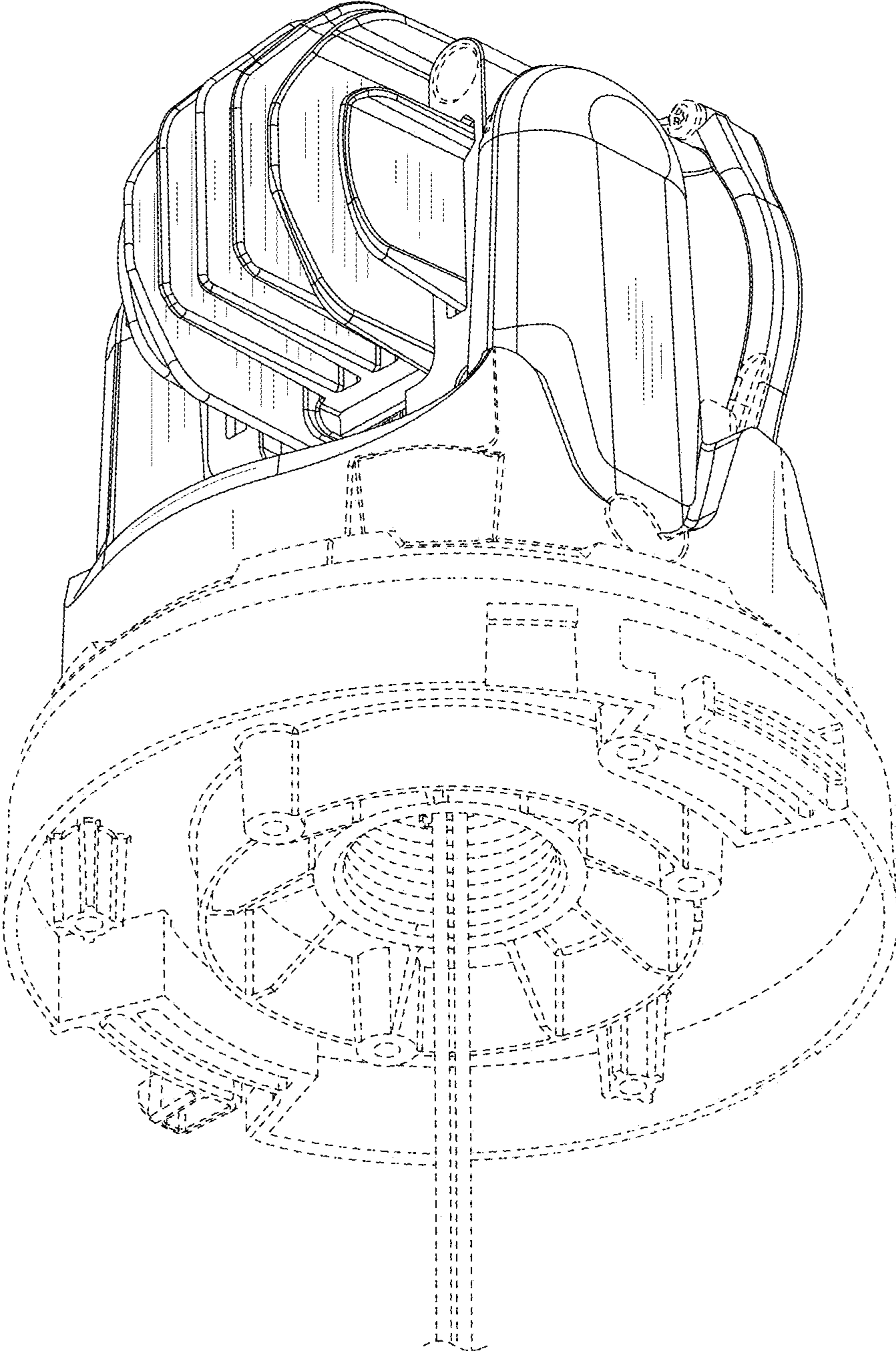


FIG. 12

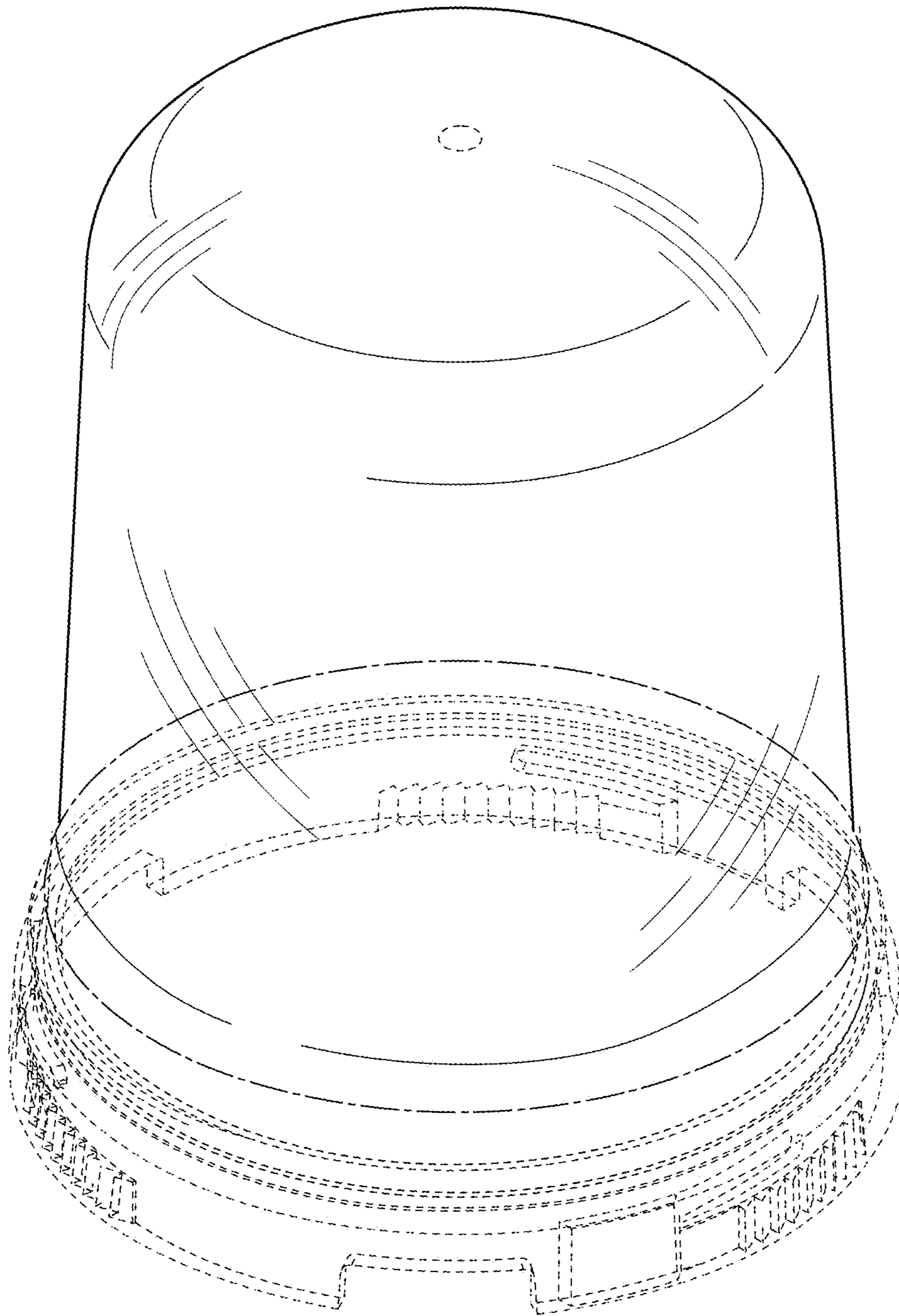


FIG. 13

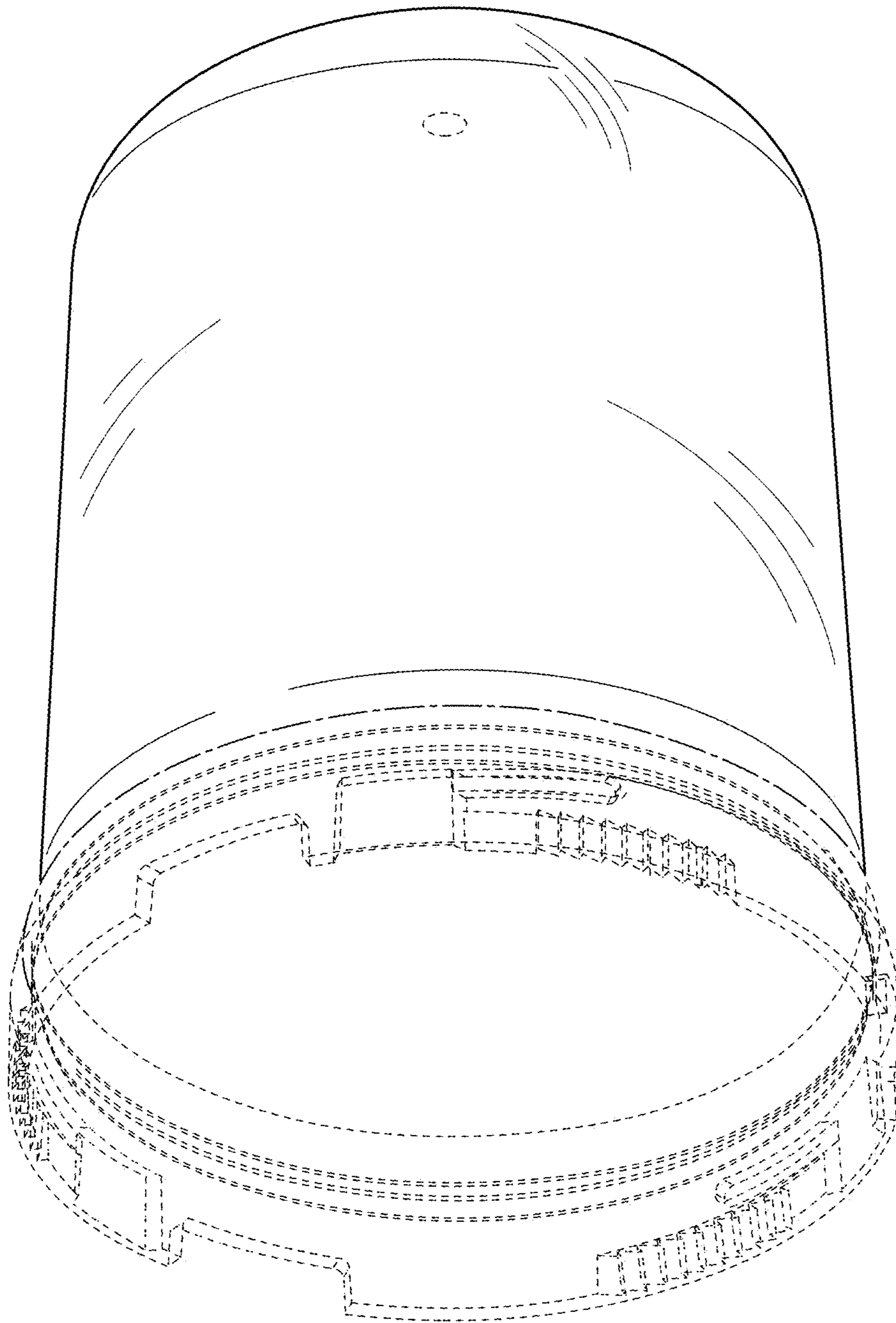


FIG. 14