



US00D974208S

(12) **United States Design Patent** (10) **Patent No.:** **US D974,208 S**
Aneja (45) **Date of Patent:** **** Jan. 3, 2023**

(54) **HOUSING FOR A LOCATION TRACKER**

(71) Applicant: **Neil Aneja**, Roanoke, VA (US)

(72) Inventor: **Neil Aneja**, Roanoke, VA (US)

(73) Assignee: **Neil Aneja**, Roanoke, VA (US)

(**) Term: **15 Years**

(21) Appl. No.: **29/817,455**

(22) Filed: **Dec. 1, 2021**

(51) **LOC (14) Cl.** **10-05**

(52) **U.S. Cl.**
USPC **D10/106.1**

(58) **Field of Classification Search**
USPC D10/40, 49, 41, 50, 52, 96, 97, 103,
D10/106.1, 104.1, 104.2, 109.1, 109.2;
D14/138 R; D30/199
CPC .. G08B 25/001; G08B 25/009; G08B 25/016;
G08B 25/004; G08B 3/10; G08B 13/1427
See application file for complete search history.

(56) **References Cited**

U.S. PATENT DOCUMENTS

D107,687 S * 12/1937 Lipschutz D10/34
D234,579 S * 3/1975 Boulton D10/37
3,880,607 A * 4/1975 Wolpin A44B 15/005
29/439
D318,246 S * 7/1991 Schwartz D10/106.1
5,135,124 A 8/1992 Wobser
D333,996 S * 3/1993 Matt D10/106.1
5,263,577 A 11/1993 Paratte et al.
D355,620 S * 2/1995 Drimer D10/106.1

(Continued)

FOREIGN PATENT DOCUMENTS

CN 202130302817.5 * 5/2021
CN 202130313287.4 * 5/2021
CN 202130410547.X * 6/2021

OTHER PUBLICATIONS

Amazon, Syncwire Protective Case for Airtag, posted May 31, 2021, [online], [visited Sep. 23, 2022]. Internet, <URL: https://www.amazon.co.uk/Syncwire-Scratch-Protection-Keychain-AirTags/dp/B0962NXQDY/ref> (Year: 2021).*

(Continued)

Primary Examiner — Samantha Wood

(74) *Attorney, Agent, or Firm* — Dickinson Wright PLLC

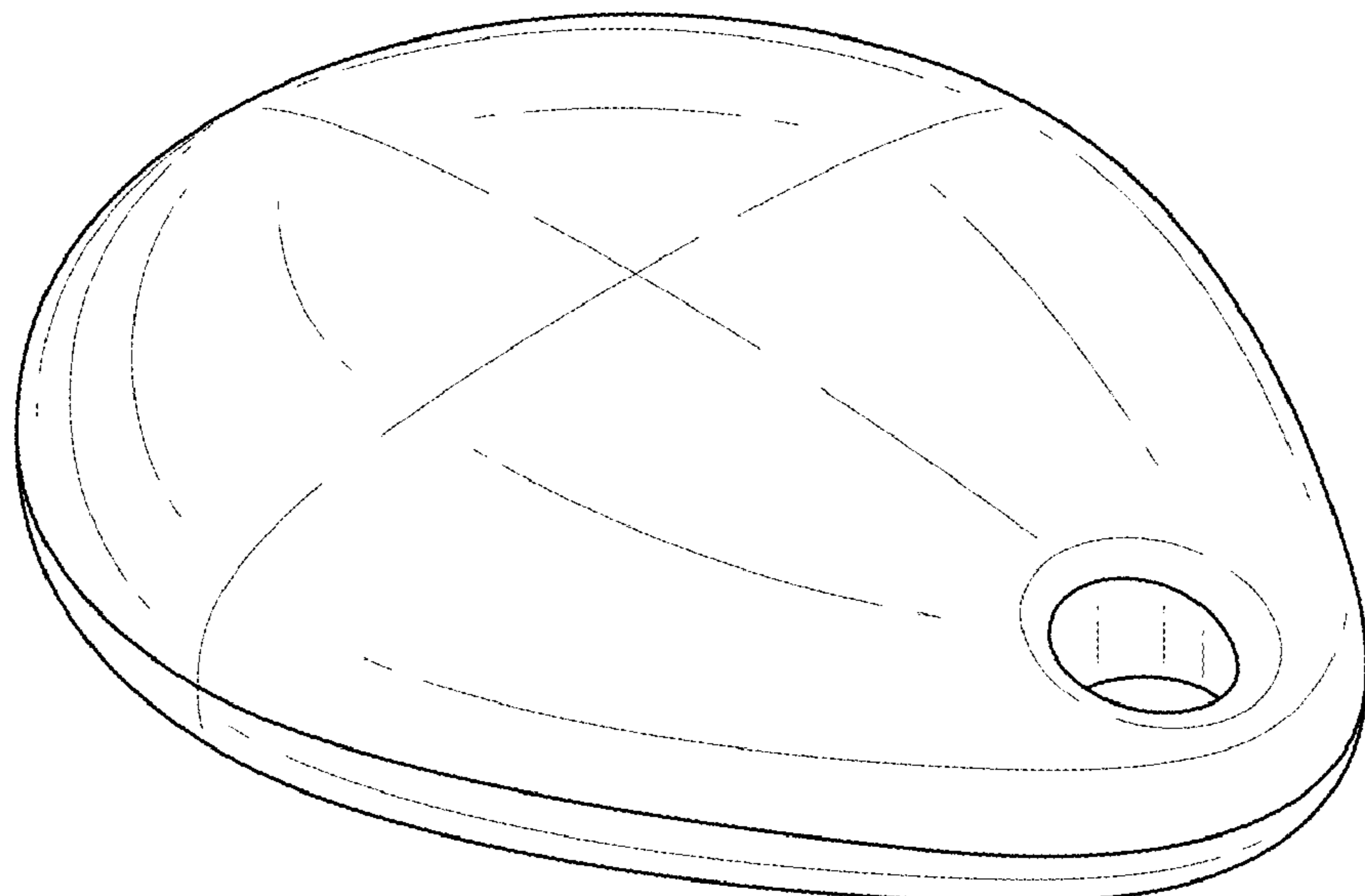
(57) **CLAIM**

The ornamental design for a housing for a location tracker, as shown and described.

DESCRIPTION

FIG. 1 is a perspective view of a housing for a location tracker, showing our new design;
FIG. 2 is a top view of the housing for a location tracker;
FIG. 3 is a rear view of the housing for a location tracker;
FIG. 4 is a front view of the housing for a location tracker;
FIG. 5 is a right side view of the housing for a location tracker;
FIG. 6 is a perspective, exploded disassembled view of the housing for a location tracker;
FIG. 7 is a bottom view a top component of the housing for a location tracker;
FIG. 8 is a top view of a bottom component of the housing for a location tracker; and,
FIG. 9 is a perspective, exploded disassembled view of the housing for a location tracker, with broken lines showing a location tracker to illustrate an example environment.
The left side view of the housing for a location tracker is a mirror image of FIG. 5;
The broken lines depict portions of the housing for a location tracker that form no part of the claimed design, and environment that forms no part of the claimed design.

1 Claim, 8 Drawing Sheets



(56)

References Cited

U.S. PATENT DOCUMENTS

D369,463 S * 5/1996 Driscoll D3/207
 D443,543 S * 6/2001 Jost D10/106.1
 6,382,410 B1 5/2002 Magid et al.
 D476,243 S * 6/2003 Houlihan D10/70
 D484,820 S * 1/2004 Hohn D10/106.1
 6,674,364 B1 1/2004 Holbrook et al.
 7,000,842 B2 2/2006 Yamaguchi et al.
 D538,192 S * 3/2007 Martin D10/106.1
 7,230,539 B2 6/2007 Klein
 D565,436 S * 4/2008 McDarby D10/104.1
 D574,282 S * 8/2008 Hill D10/104.1
 D575,816 S 8/2008 Law et al.
 7,604,176 B2 10/2009 Bates et al.
 7,798,415 B1 9/2010 Bates et al.
 D626,993 S 11/2010 Law et al.
 D647,810 S 11/2011 Bohrer
 D653,967 S * 2/2012 Blake D10/31
 8,157,181 B2 4/2012 Bates et al.
 8,203,453 B2 6/2012 Mosteller
 D707,442 S * 6/2014 Ventrello D3/208
 D709,776 S * 7/2014 Rosenfeld D10/40
 D714,665 S * 10/2014 Naughton D10/70
 D747,989 S * 1/2016 Bassan-Eskenazi D10/106.9
 D770,928 S * 11/2016 Chen D10/106.1
 D787,357 S * 5/2017 Akana D10/104.1
 D804,971 S 12/2017 Heikkila
 D866,370 S 11/2019 Wheaton et al.
 D913,146 S 3/2021 May
 D928,110 S 8/2021 Ouyang
 D953,014 S * 5/2022 Akana D3/215
 D953,905 S * 6/2022 Barovic D10/104.1
 D960,017 S * 8/2022 Wu D10/121

D962,100 S * 8/2022 Liu D10/70
 D962,632 S * 9/2022 Liu D10/104.1
 2007/0080811 A1 4/2007 Venderley et al.
 2008/0135421 A1 6/2008 Raisner et al.
 2009/0289807 A1* 11/2009 Enwright G08B 25/016
 340/691.4
 2009/0298460 A1* 12/2009 Ruda G08B 3/1008
 455/404.1
 2010/0066558 A1* 3/2010 McCauley G08B 25/001
 340/8.1
 2013/0271277 A1* 10/2013 McCauley G08B 7/06
 340/517

OTHER PUBLICATIONS

Amazon, Sichy Protective case for Airtag, posted Jun. 14, 2022, [online], [visited Sep. 23, 2022]. Internet, <URL: <https://www.amazon.co.uk/Sichy-Protective-AirTags-Scratch-Resistant-Waterproof/dp/B0B41VBN3B/ref?th=1>> (Year: 2022).*

Amazon, Konohan Smart GPS Tracker pack, posted Jan. 13, 2022, [online], [visited Sep. 23, 2022]. Internet, <URL: <https://www.amazon.com/Tracker-Droplets-Multicolor-Wireless-Locator/dp/B09QC5G9X5/ref>> (Year: 2022).*

Amazon, In-Cog-Neato Air Tag Keychain for Apple Airtag, posted Aug. 20, 2021, [online], [visited Sep. 23, 2022]. Internet, <URL: <https://www.amazon.com/Keychain-AirTags-Waterproof-Tracker-Compatible/dp/B09D8P79D5/ref>> (Year: 2021).*

Amazon, Uneeq Gifts Waterproof Airtag Dog Collar Holder, posted Aug. 25, 2021, [online], [visited Sep. 23, 2022]. Internet, <URL: <https://www.amazon.com/Waterproof-Airtag-Protective-Tracker-Trackers/dp/B09DK2HHB4/ref?th=1>> (Year: 2021).*

* cited by examiner

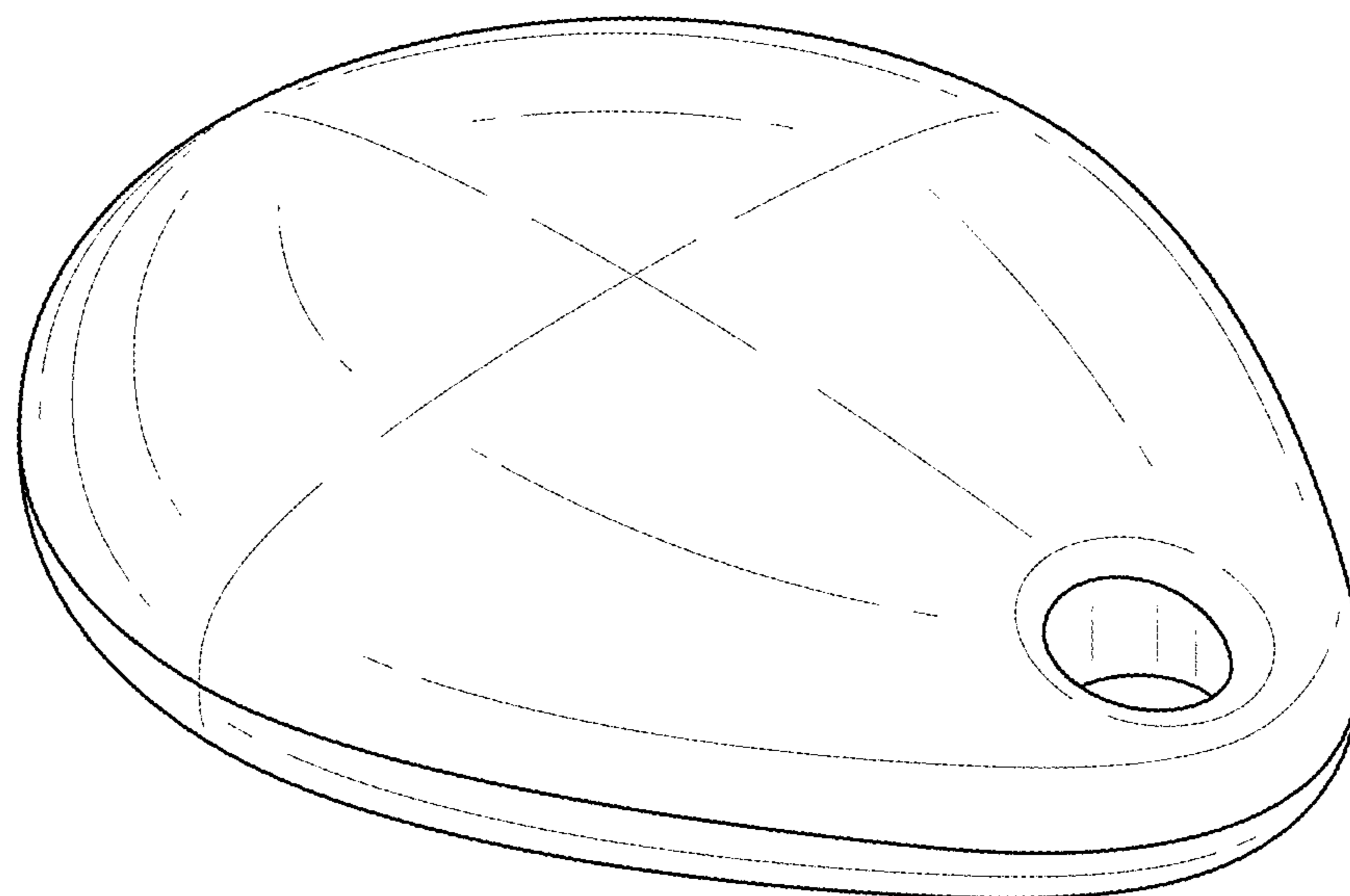


FIG. 1

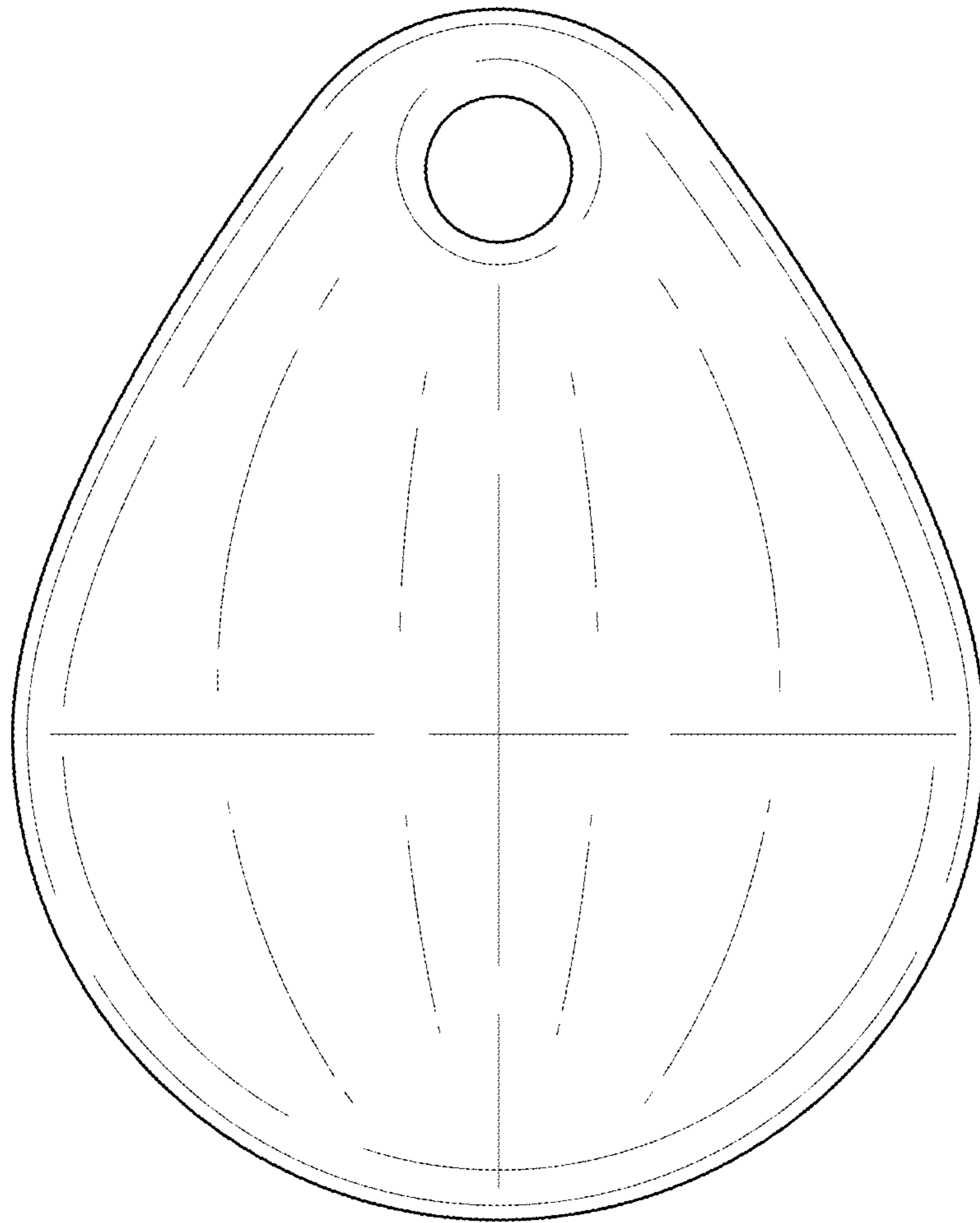


FIG. 2

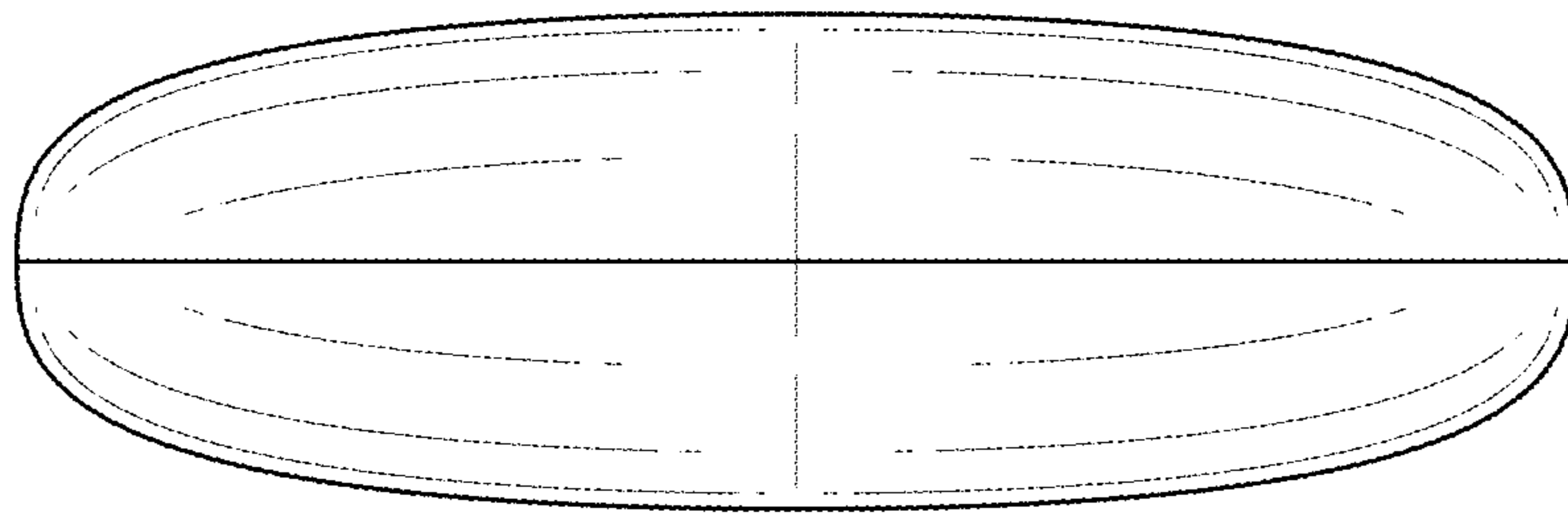


FIG. 3

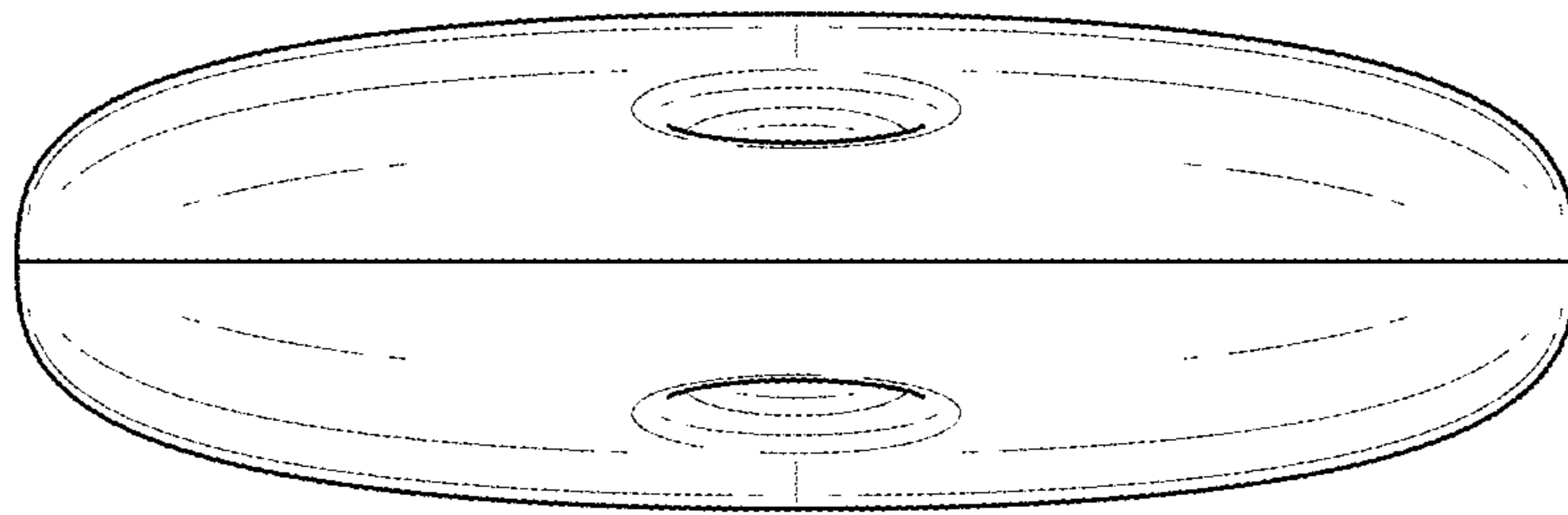


FIG. 4

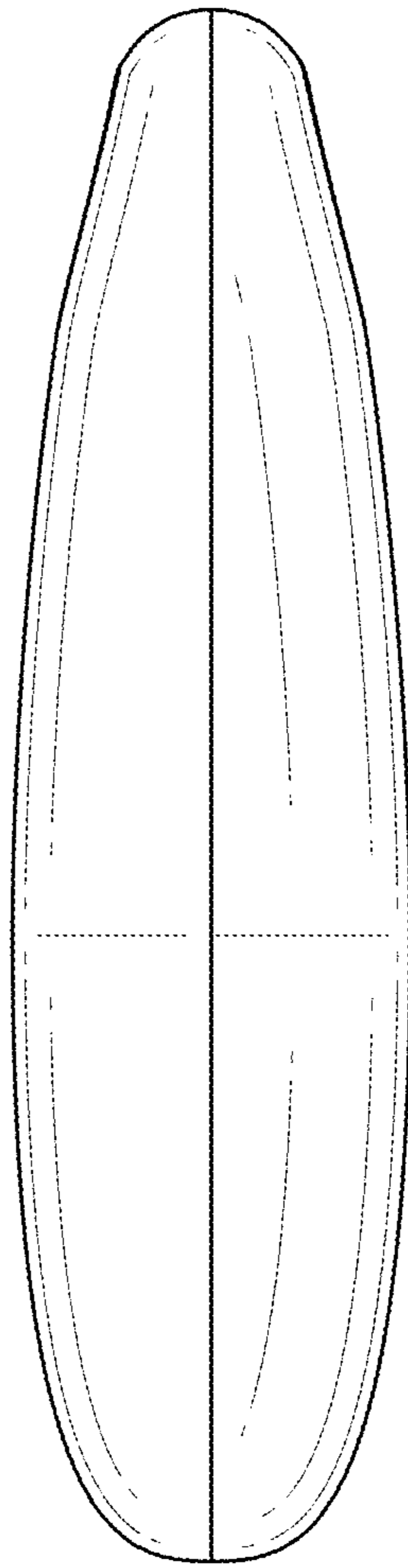


FIG. 5

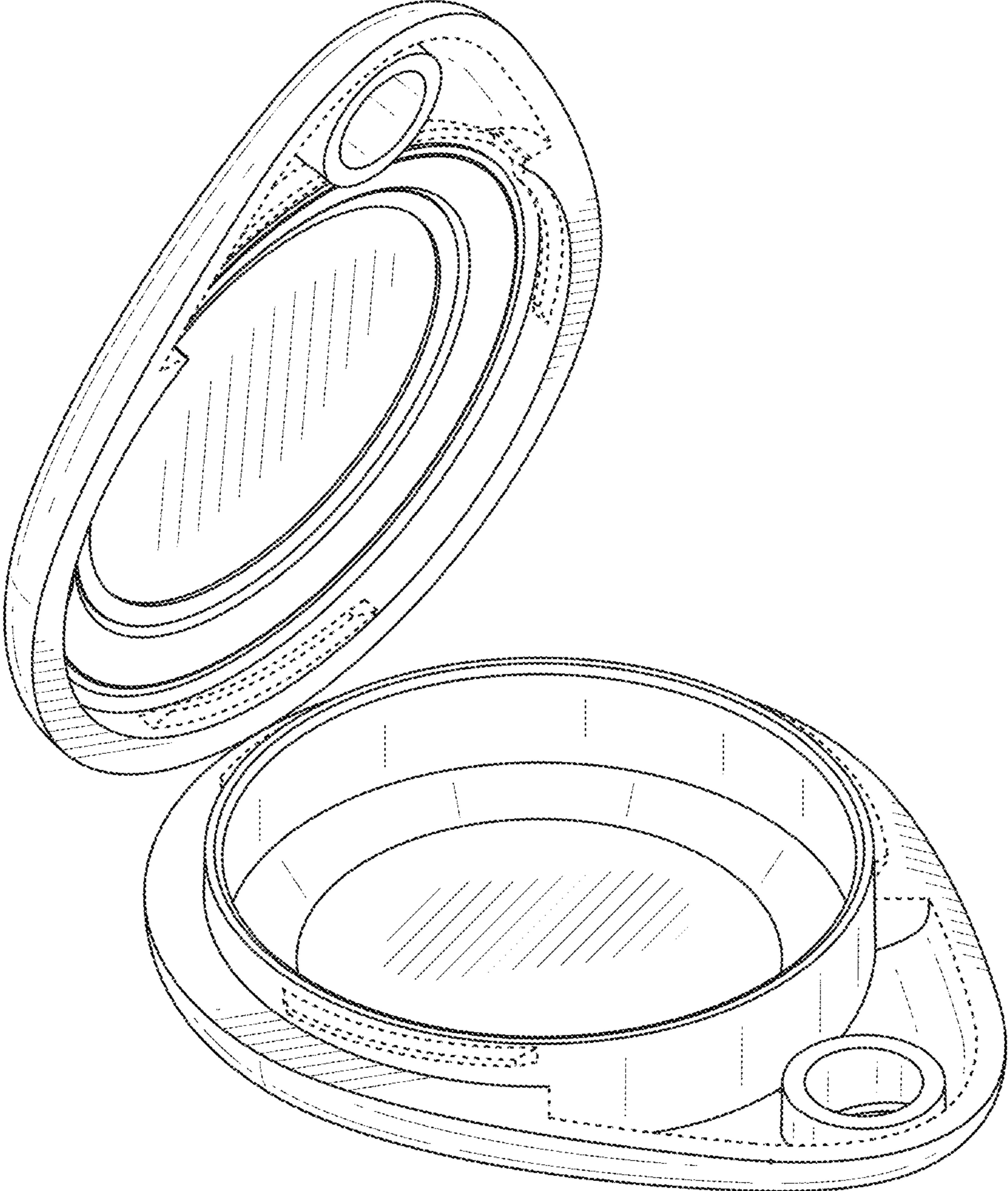


FIG. 6

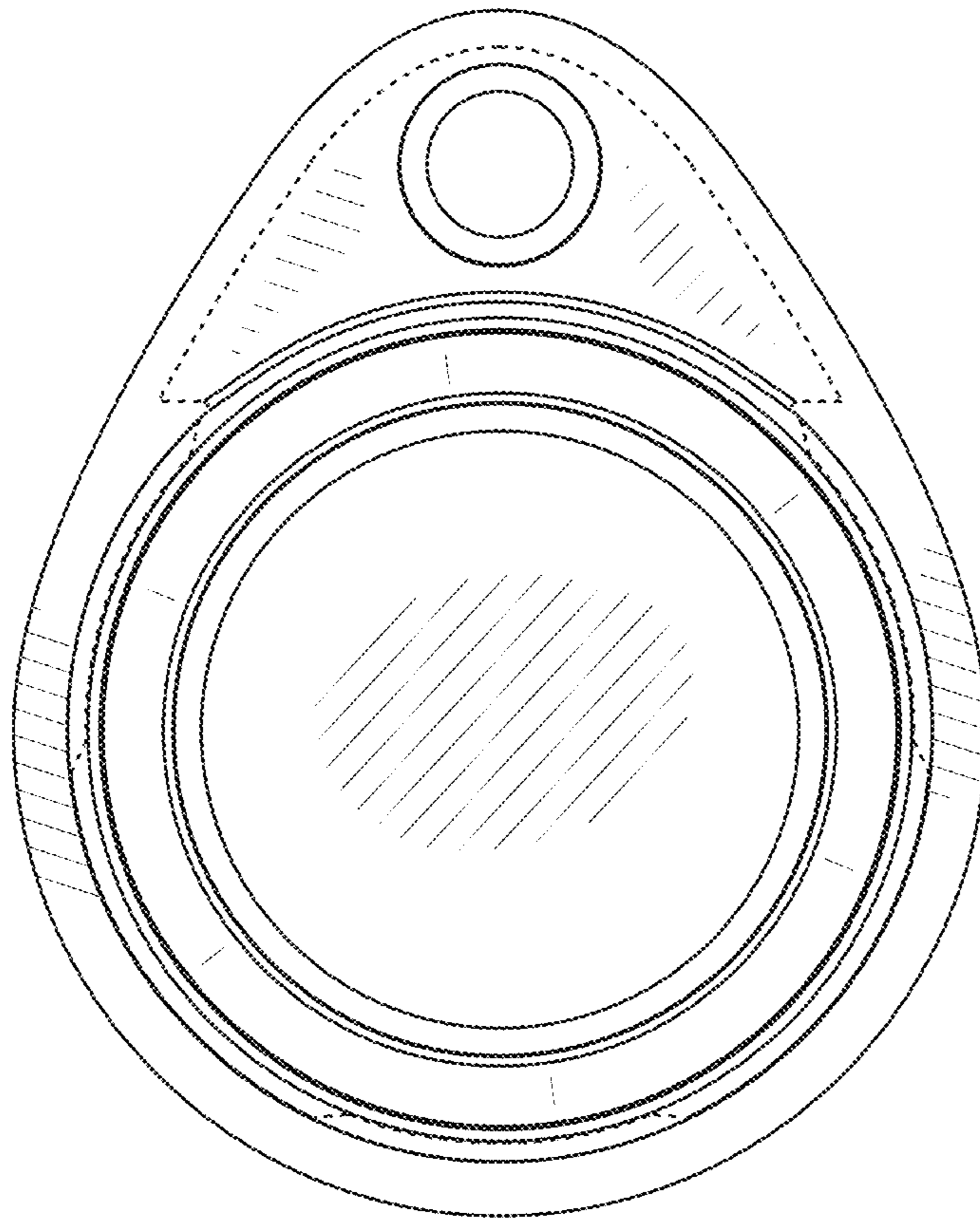


FIG. 7

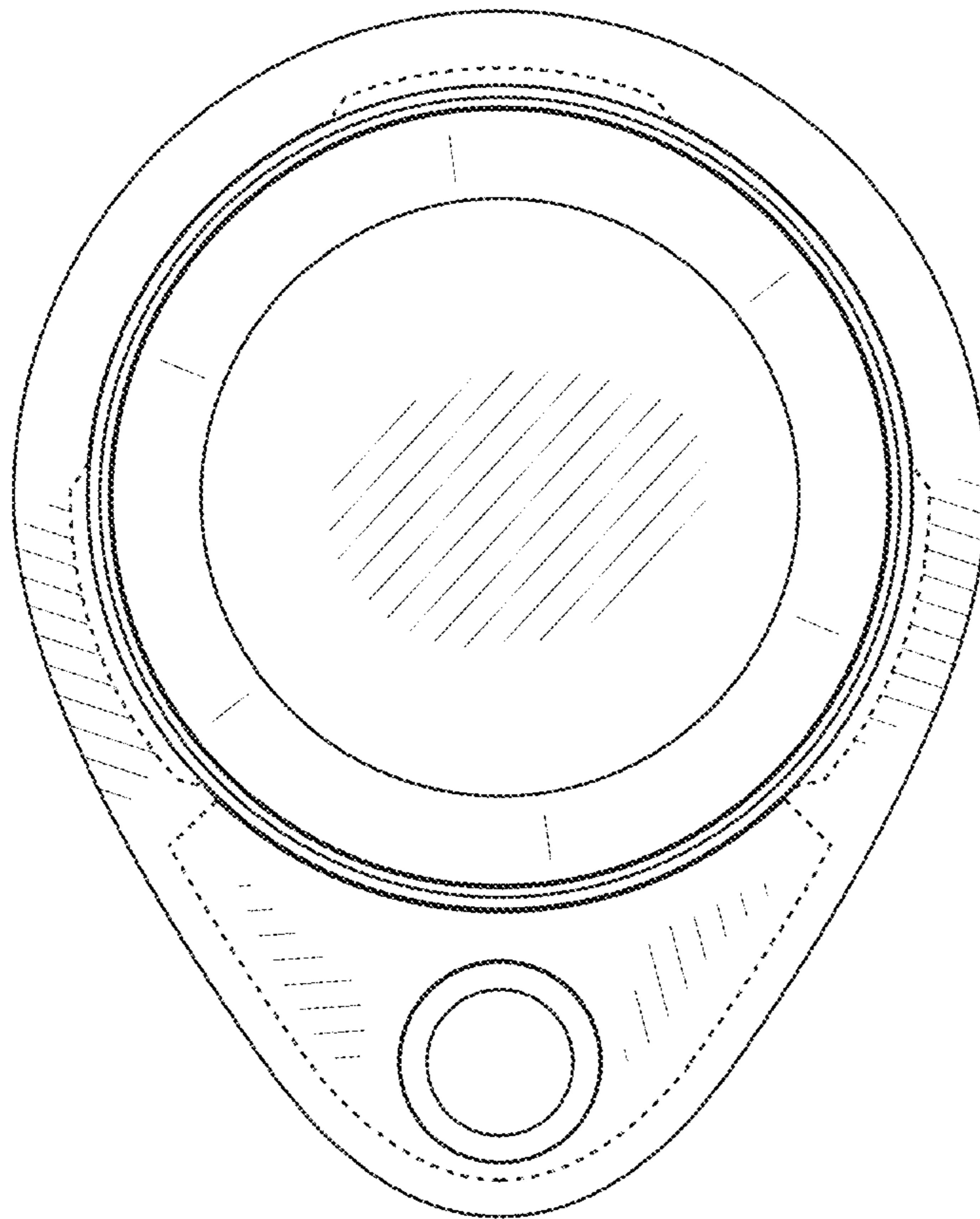


FIG. 8

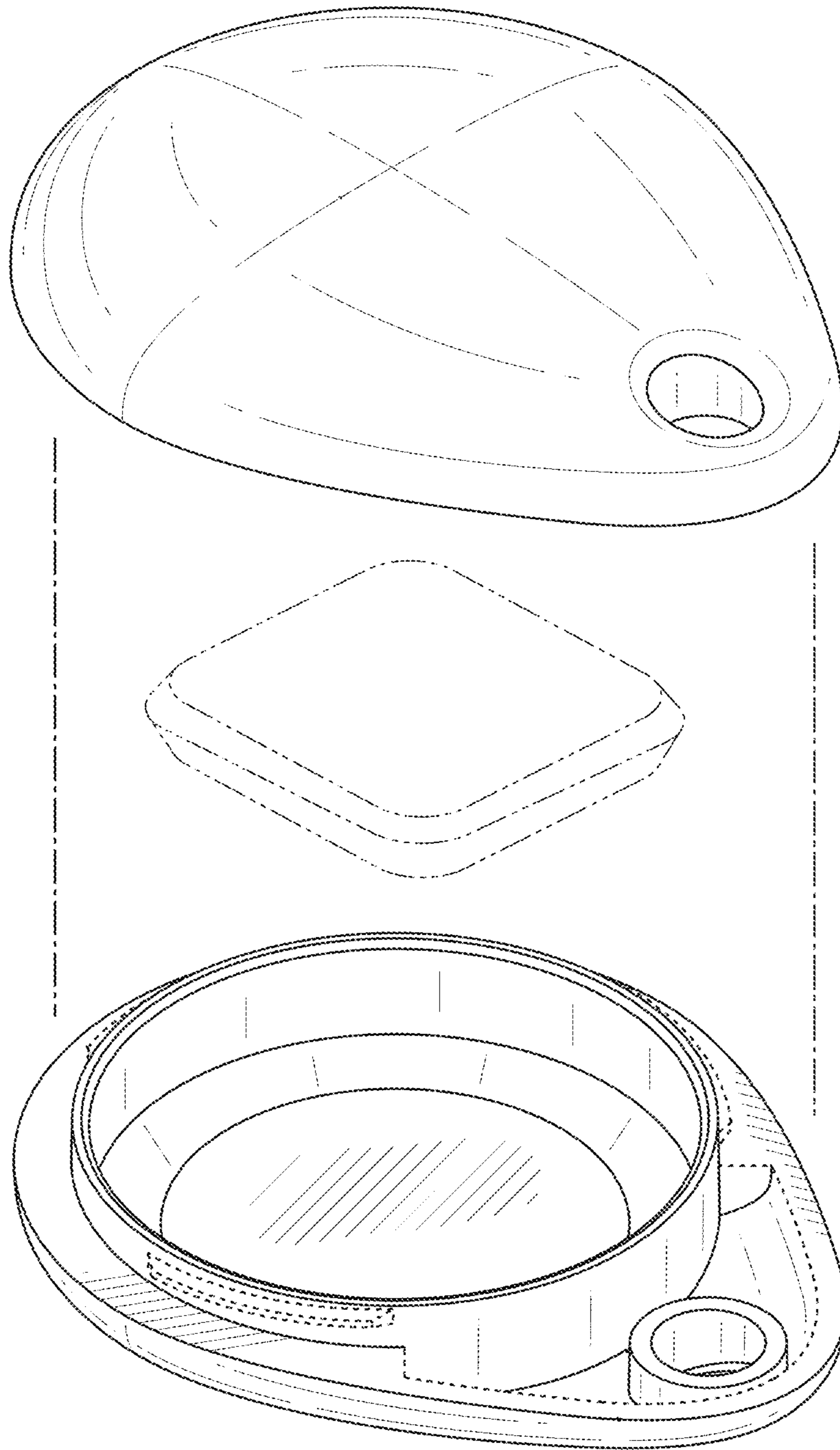


FIG. 9