



US00D974207S

(12) **United States Design Patent**
Kamstra

(10) **Patent No.:** **US D974,207 S**
(45) **Date of Patent:** **** Jan. 3, 2023**

(54) **CHILD CAR SEAT BELT BUCKLE SAFETY INDICATOR**

FOREIGN PATENT DOCUMENTS

CN 103500488 1/2014

(71) Applicant: **Jeffrey Kamstra**, Indianapolis, IN (US)

(72) Inventor: **Jeffrey Kamstra**, Indianapolis, IN (US)

(73) Assignee: **Baby Minder LLC**, Indianapolis, IN (US)

(**) Term: **15 Years**

(21) Appl. No.: **29/723,282**

(22) Filed: **Feb. 5, 2020**

(51) **LOC (14) Cl.** **10-05**

(52) **U.S. Cl.**
USPC **D10/104.2**

(58) **Field of Classification Search**
USPC D6/333; D8/333; D9/434, 499;
D10/104.2; D11/1-4, 7, 200;
D29/120.1-120.2; D30/152; D3/207;
D27/194
CPC G08B 21/028; G08B 21/088; G08B
21/0288; G09F 3/005; E05B 65/0014;
E05B 77/26; E05B 75/00; B60R 22/00;
A44B 11/00; A44B 11/005; A44B
11/2503; A44B 11/2569
See application file for complete search history.

(56) **References Cited**

U.S. PATENT DOCUMENTS

D59,541 S * 11/1921 De Lue et al. D8/333
2,451,091 A * 10/1948 Whitaker A44B 15/00
70/456 R
4,592,157 A * 6/1986 Kerr E05B 19/24
283/70
4,706,477 A * 11/1987 Rousseau A44B 15/007
70/456 R

(Continued)

OTHER PUBLICATIONS

Texas Longhorn Charm Gold Tone Bangle Bracelet, available from texascapitolgiftshop.com. Date first available Sep. 25, 2020. Site visited Sep. 9, 2021. URL: <https://www.texascapitolgiftshop.com/107972/texas-longhorn-charm-gold-tone-bangle-bracelet.html#!more>. (Year: 2020).*

(Continued)

Primary Examiner — George D. Kirschbaum

Assistant Examiner — Lillian Windham

(74) *Attorney, Agent, or Firm* — Innovation Law Office;
Dennis S. Schell

(57) **CLAIM**

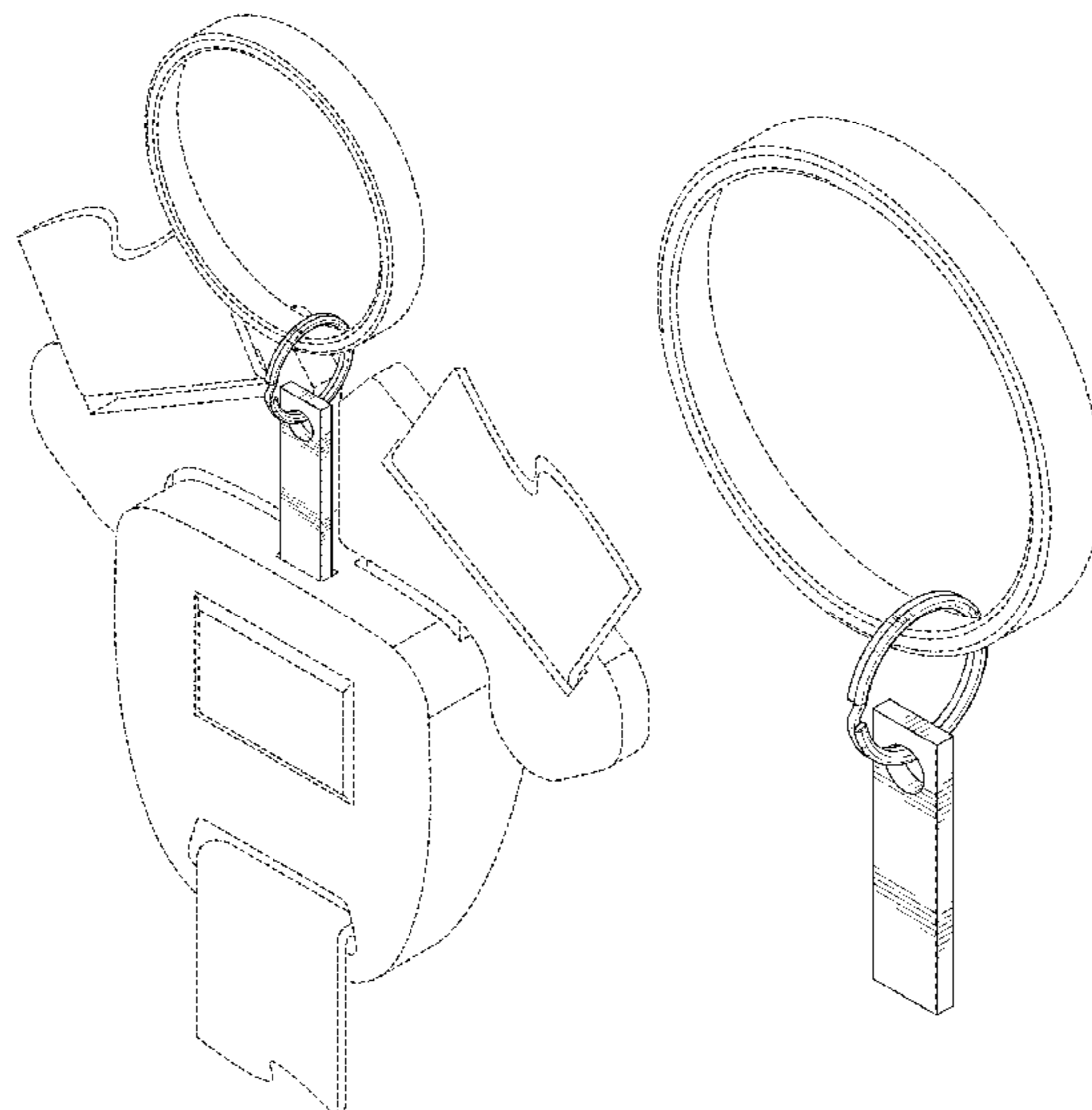
The ornamental design for a child car seat belt buckle safety indicator, as shown and described.

DESCRIPTION

FIG. 1 is a perspective view of the front-right side of the child car seat belt buckle safety indicator, shown in an illustrative environment;
FIG. 2 is a perspective view of the front-right side thereof, shown in an illustrative environment;
FIG. 3 is a perspective view of the front-right side thereof;
FIG. 4 is a front elevational view thereof;
FIG. 5 is a rear elevational view thereof;
FIG. 6 is a left-side elevational view thereof;
FIG. 7 is a right-side elevational view thereof;
FIG. 8 is a top plan view thereof; and,
FIG. 9 is a bottom plan view thereof.

The broken lines shown in the drawings are for purposes of illustrating portions of the article that form no part of the claimed design, or for showing the unclaimed environment of the article, including a safety seat belt buckle of a children's car seat and a user's hand that form no part of the claimed design.

1 Claim, 8 Drawing Sheets



(56)

References Cited

U.S. PATENT DOCUMENTS

D296,414 S * 6/1988 DeWalch D8/333
 4,789,573 A * 12/1988 Jenkinson A44B 15/005
 40/330
 D300,582 S * 4/1989 Hodge D3/208
 5,020,255 A * 6/1991 Rodel A45C 11/182
 40/654
 5,020,348 A * 6/1991 Scungio A44B 15/002
 70/456 R
 5,031,430 A * 7/1991 Nelson A44B 15/002
 70/456 R
 D323,612 S * 2/1992 Rau D8/333
 D332,625 S * 1/1993 LaPerche D19/121
 D339,999 S * 10/1993 Greear D10/104.2
 D352,821 S * 11/1994 Stillwagon D3/207
 5,373,717 A * 12/1994 Gore A44B 15/007
 7/170
 D362,346 S * 9/1995 Clarke D6/333
 5,479,797 A * 1/1996 Peterson A44C 5/2076
 24/16 PB
 5,923,255 A * 7/1999 Vahdatshoar G08B 21/0288
 340/573.4
 D414,893 S * 10/1999 Moore D27/194
 D434,896 S * 12/2000 Haugh D3/208
 D448,157 S * 9/2001 Wright D3/208
 6,533,111 B1 * 3/2003 Harden A45C 11/32
 206/305
 6,848,288 B1 * 2/2005 Derman A44B 15/002
 24/303
 D506,056 S * 6/2005 Burns D3/207
 6,922,154 B2 * 7/2005 Kraljic G08B 21/22
 340/687
 D528,455 S 9/2006 Drexler
 7,218,218 B1 * 5/2007 Rogers B60N 2/002
 340/425.5
 7,230,530 B1 6/2007 Almquist
 D545,715 S * 7/2007 Thiessen D11/3
 7,249,715 B1 * 7/2007 Lambright A45C 11/182
 235/487
 D556,445 S * 12/2007 Oas D3/208
 D571,187 S * 6/2008 Garnett D8/333
 7,520,439 B1 * 4/2009 Gandel B42D 25/20
 235/492
 7,567,181 B1 * 7/2009 Davison B60Q 9/00
 340/665
 7,721,956 B2 * 5/2010 Williams G06K 19/04
 235/380
 7,726,736 B1 * 6/2010 Grago, Jr. B60N 2/28
 297/250.1
 7,892,371 B2 * 2/2011 Gandel A45C 11/182
 156/60
 7,908,777 B1 3/2011 Beardsley
 8,038,213 B2 * 10/2011 Owens G05D 23/19
 297/217.3
 8,058,983 B1 * 11/2011 Davisson G08B 21/24
 340/457
 D650,715 S * 12/2011 Hill D10/104.2
 8,120,499 B2 2/2012 Ortiz
 8,643,493 B1 * 2/2014 Klitenick G08B 21/0288
 340/457

9,030,313 B1 * 5/2015 Pearson B60N 2/26
 340/539.23
 9,554,629 B1 1/2017 Wilcox et al.
 9,569,948 B1 * 2/2017 Platt G08B 21/22
 9,691,249 B1 * 6/2017 Keys G08B 21/24
 9,889,776 B1 * 2/2018 Turnbo G08B 5/02
 9,911,301 B1 * 3/2018 Foley G08B 21/0261
 D826,550 S * 8/2018 Filakousky D3/207
 10,183,619 B1 1/2019 Biederman
 D851,830 S * 6/2019 Lomeli D27/194
 D874,970 S * 2/2020 Pandolfino D11/79
 10,752,170 B1 * 8/2020 Hubert B60Q 9/00
 D915,930 S * 4/2021 Dumas D11/4
 D919,467 S * 5/2021 Appel D11/2
 11,257,348 B1 * 2/2022 Hughes G08B 3/10
 11,260,816 B1 * 3/2022 Bodenhamer G08B 21/22
 2006/0061201 A1 * 3/2006 Skinner B60R 22/00
 297/468
 2006/0176183 A1 8/2006 Jetton
 2006/0273178 A1 * 12/2006 Tsang B42F 3/04
 235/487
 2007/0075574 A1 * 4/2007 James B60N 2/28
 297/217.3
 2009/0079557 A1 * 3/2009 Miner B60N 2/002
 340/457.1
 2012/0222787 A1 * 9/2012 Caron A45C 11/182
 150/147
 2013/0082831 A1 4/2013 Byrne
 2013/0106598 A1 * 5/2013 Silveira B60N 2/002
 340/457
 2014/0159893 A1 * 6/2014 Housley G08B 21/0269
 340/539.13
 2016/0196732 A1 * 7/2016 Jones G08B 21/0258
 340/686.6
 2017/0231338 A1 * 8/2017 Thomas A44C 17/0216
 63/1.12
 2019/0133266 A1 * 5/2019 Rich G09F 3/005

OTHER PUBLICATIONS

Bar Hoops Earring Gold, available from Bijzonder Design Store. Date first available unknown. Site visited Sep. 10, 2021. URL: <<https://www.bijzonderdesignstore.nl/bar-hoops-earring-gold.html>>.*
 100% Stainless Steel Rectangle for Engraving, available from Engraved4Ever on Etsy.com. Date first available unknown. Site visited Sep. 13, 2021. URL: <<https://www.etsy.com/listing/1010781267/100-stainless-steel-rectangle-keychain>>.*
 CindyHe Drive Safe Keychain, available from Amazon.com. Date first available Nov. 5, 2018. Site visited Sep. 10, 2021. URL: <https://www.amazon.com/Keychain-Handsome-Boyfriend-Valentines-Stocking/dp/B07L7PD9ZC/ref=sr_1_13?>. (Year: 2018).*
 Personalized Wood Keychain Engraved Rectangle by Spicewood. Available from Amazon.com. Date first available Nov. 8, 2017. Site Visited Jan. 18, 2022. URL: <<https://www.amazon.com/Personalized-Wood-Keychain-Engraved-Rectangle/dp/B075SRCY4N>>. (Year: 2017).*
 Premium Belt Lock Buckle Guard With Release Key, available in Amazon.co.uk, date first available Jan. 22, 2018 [online], [site visited Aug. 29, 2022], Available from the internet URL: <<https://www.amazon.co.uk/dp/B0796RJBKD>>. (Year: 2018).*

* cited by examiner

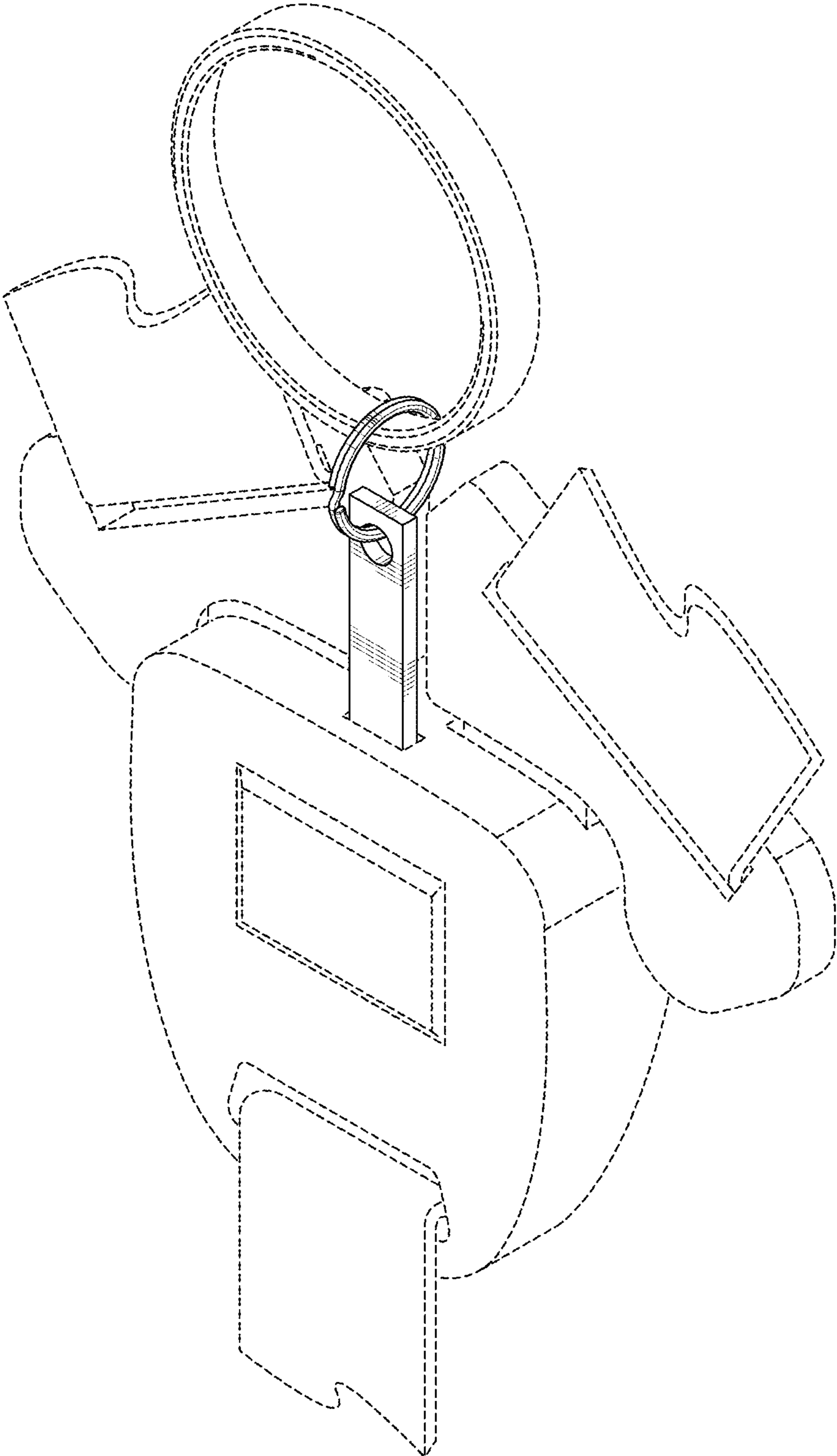


FIG. 1

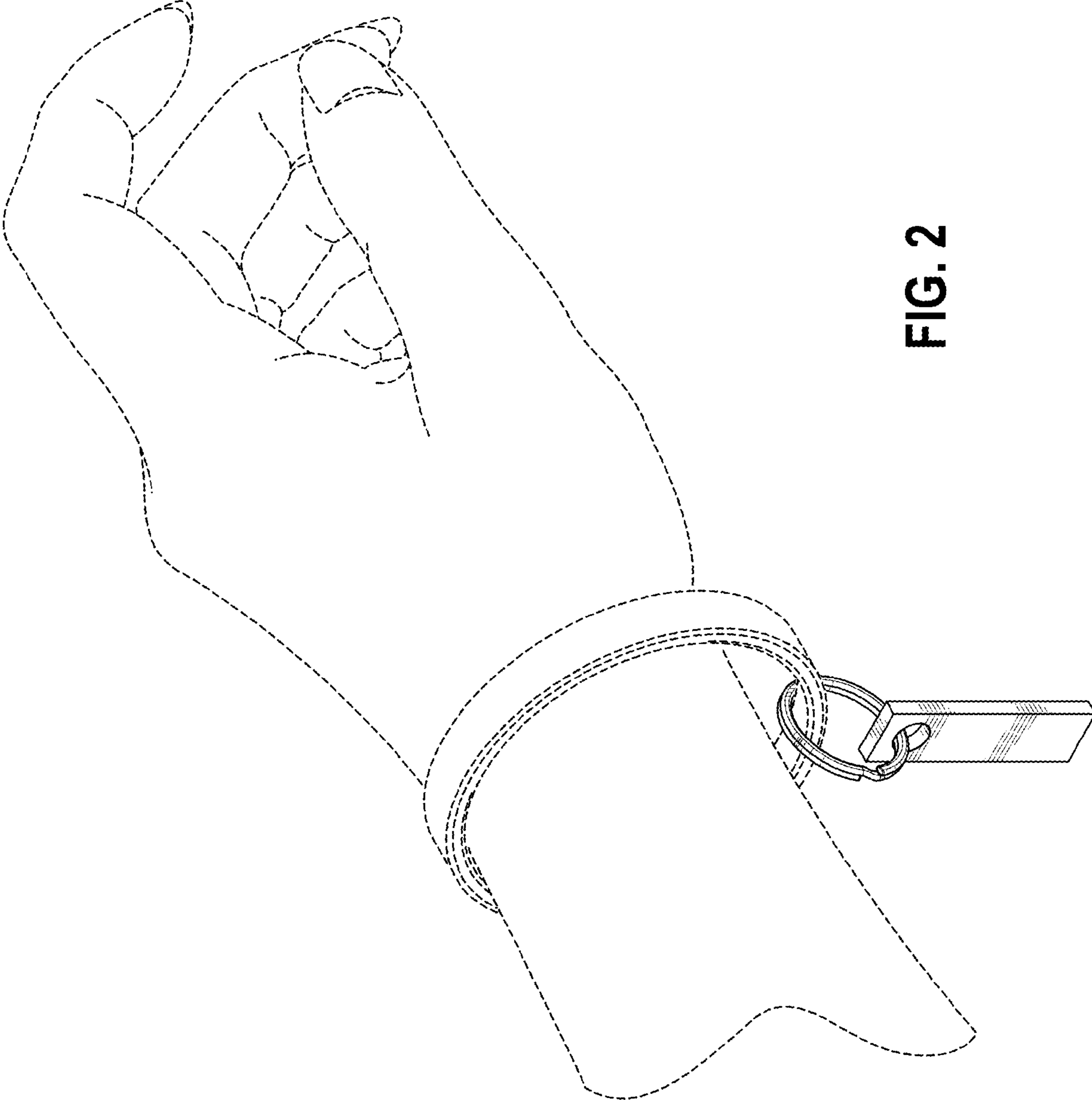


FIG. 2

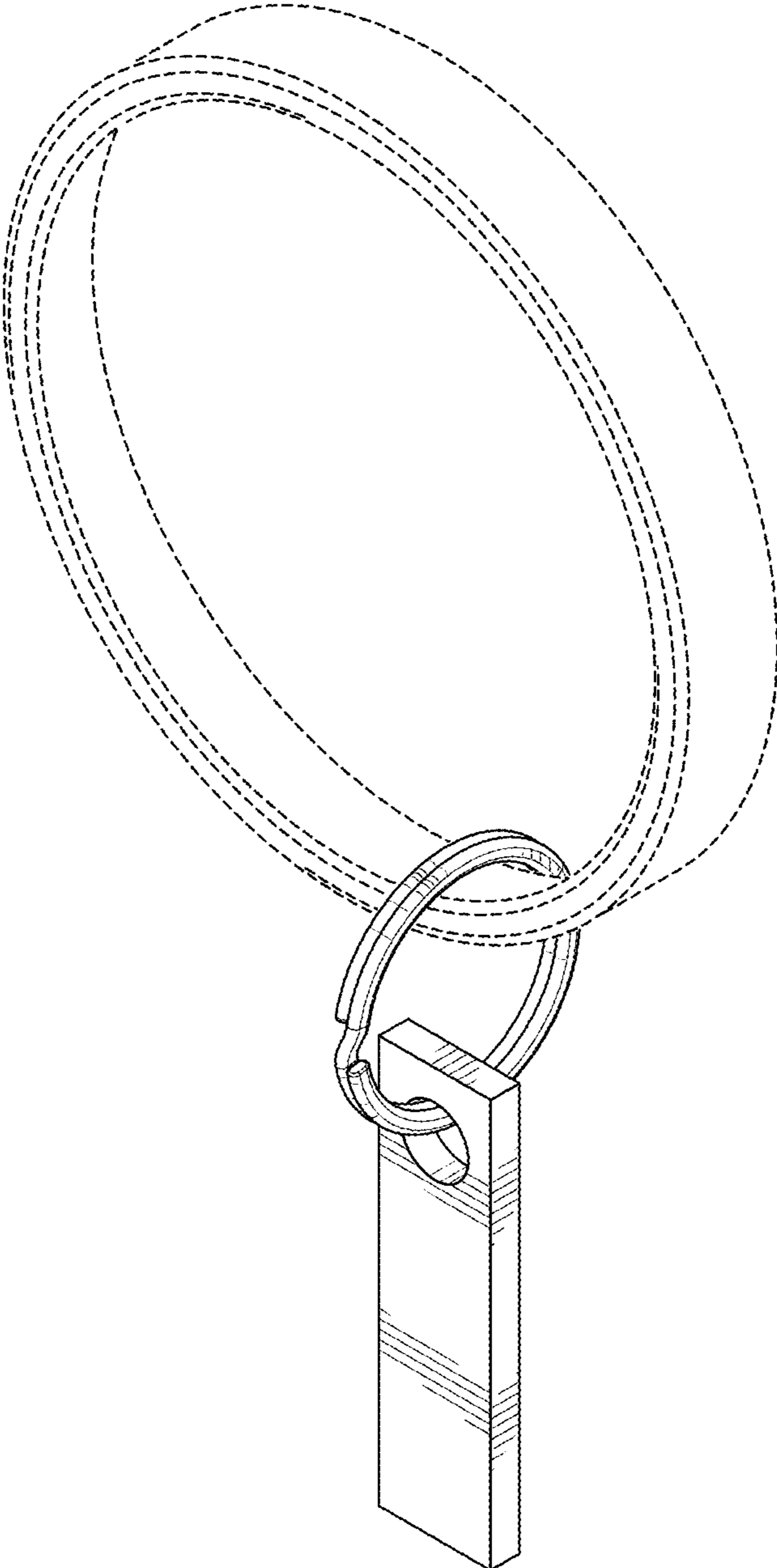


FIG. 3

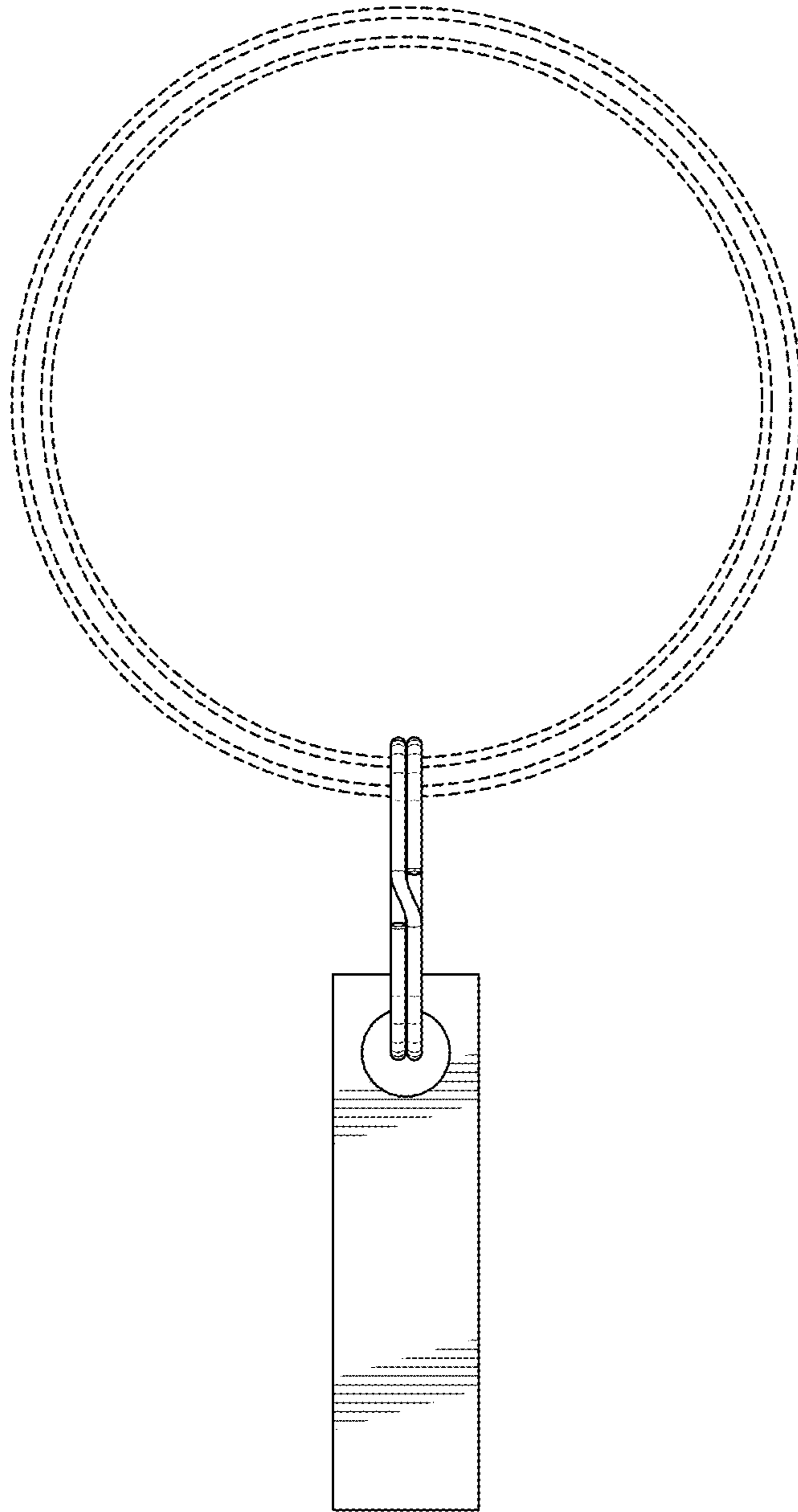


FIG. 4

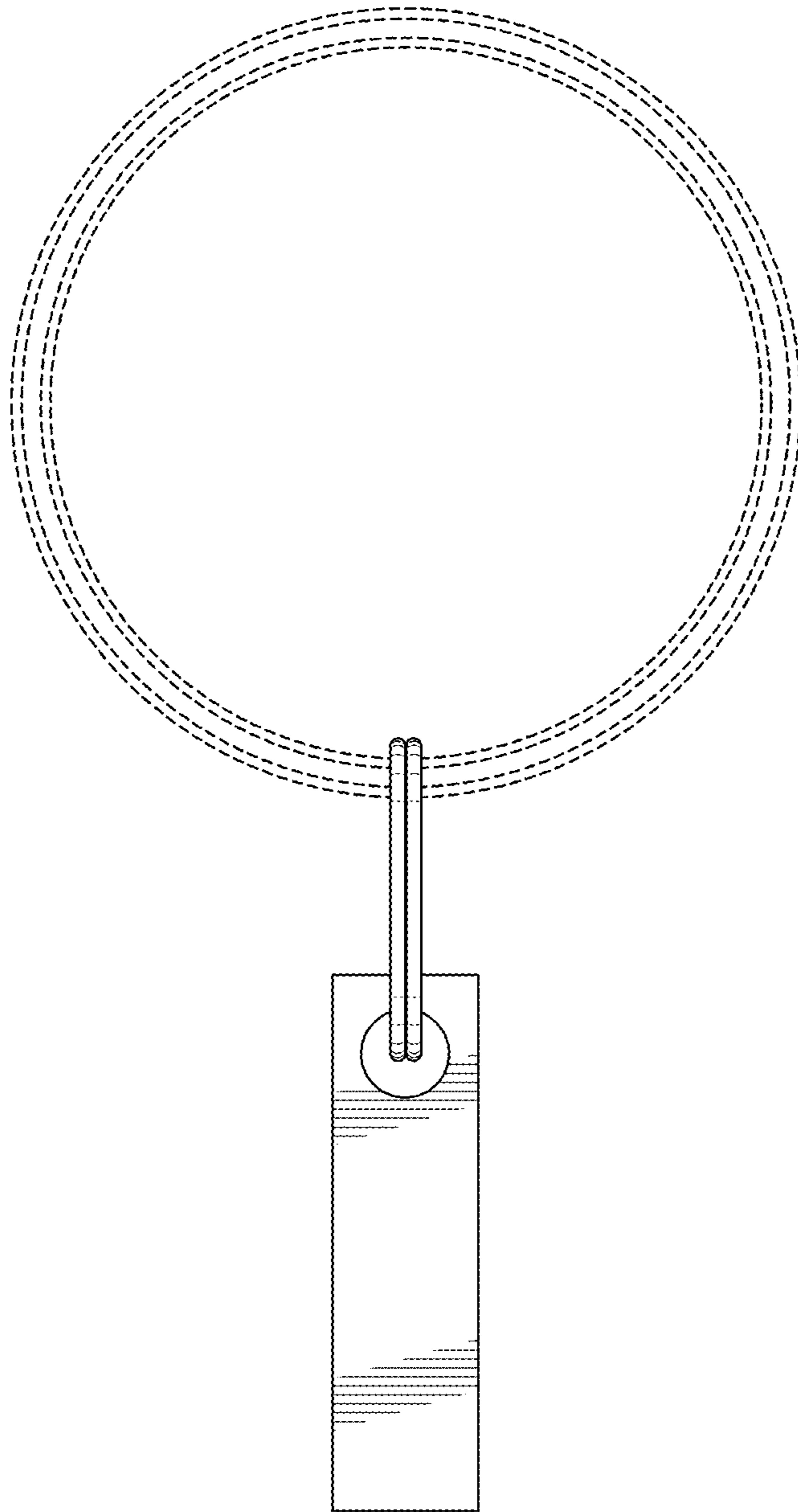


FIG. 5

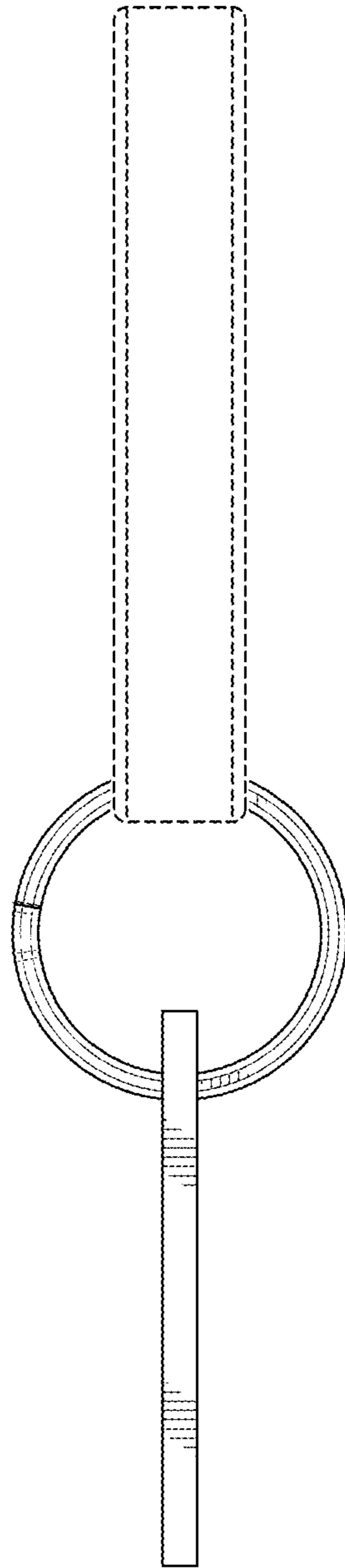


FIG. 6

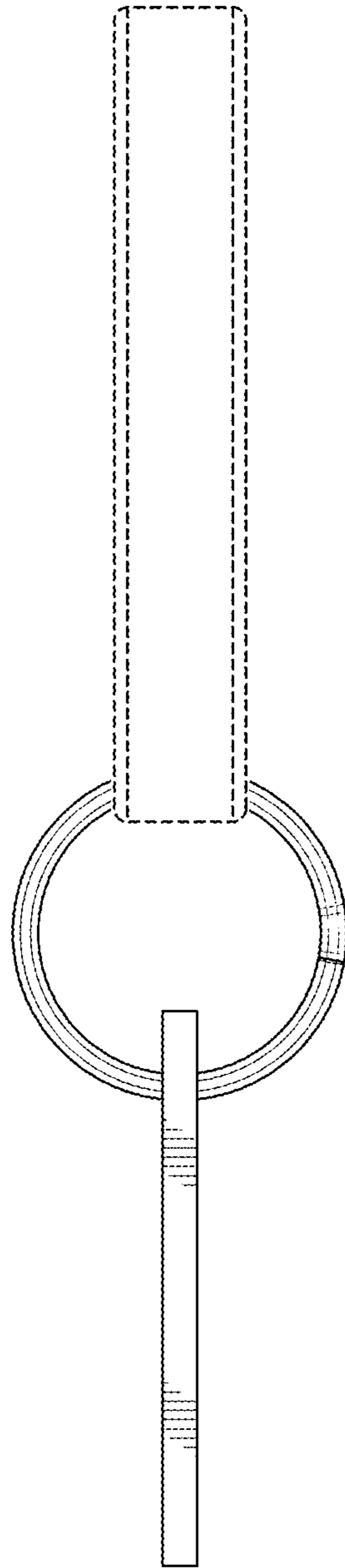


FIG. 7

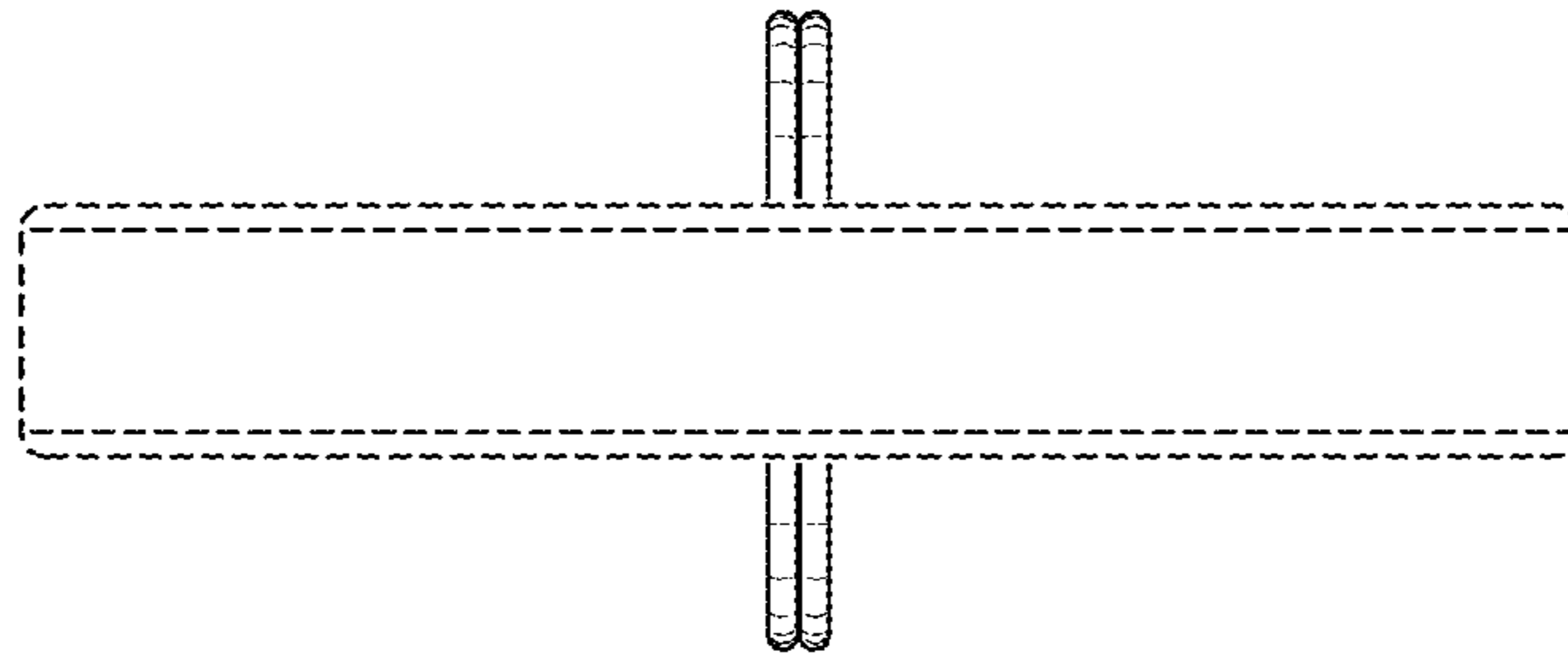


FIG. 8

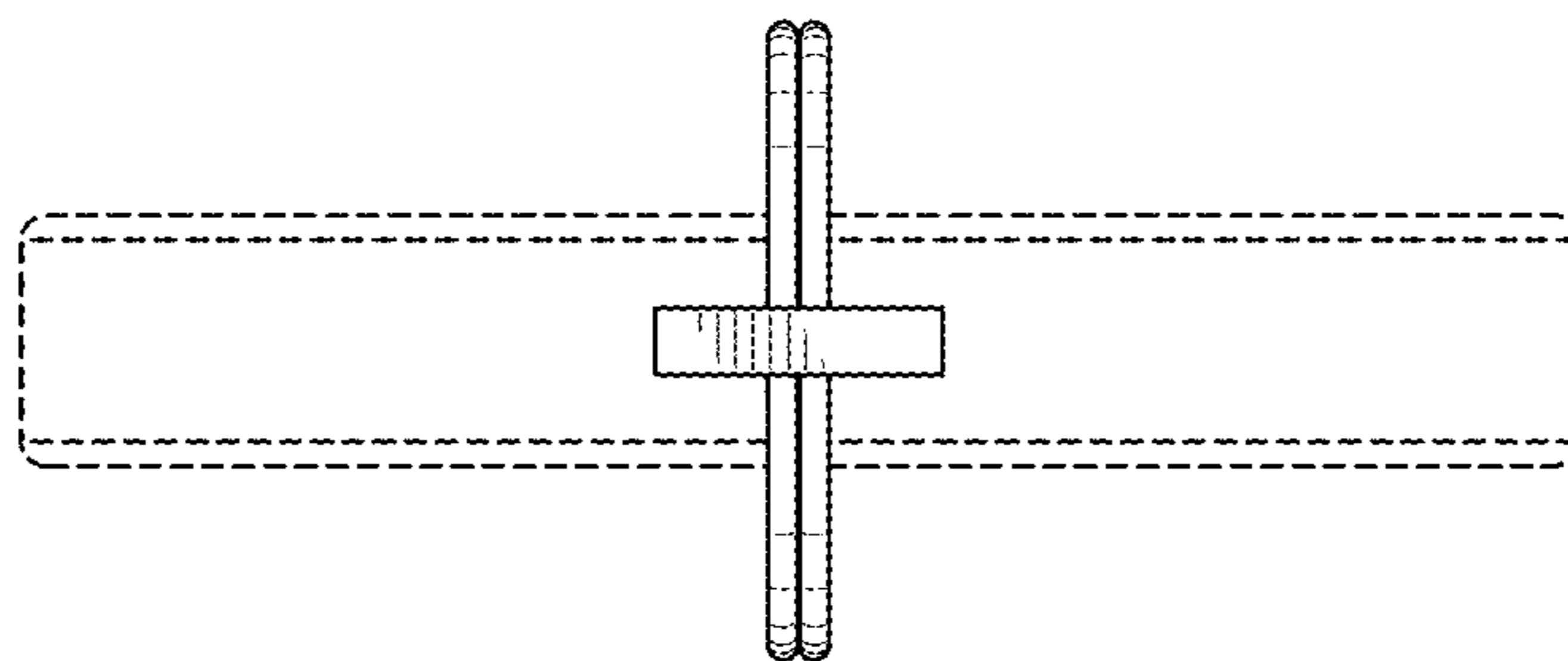


FIG. 9