



US00D974204S

(12) **United States Design Patent**  
**Dou et al.**

(10) **Patent No.:** **US D974,204 S**  
(45) **Date of Patent:** **\*\* Jan. 3, 2023**

(54) **WALL-MOUNTED TIRE PRESSURE MONITORING SENSOR**

FOREIGN PATENT DOCUMENTS

(71) Applicant: **Suzhou Sate Auto Electronic Co., Ltd.**, Jiangsu Province (CN)

CN 303255418 \* 11/2014  
CN 303490495 \* 8/2015

(Continued)

(72) Inventors: **Xiaodong Dou**, Jiangsu Province (CN);  
**Zhenfei Liang**, Jiangsu Province (CN)

OTHER PUBLICATIONS

(73) Assignee: **Suzhou Sate Auto Electronic Co., Ltd.**, Jiangsu Province (CN)

Cap Art, Tire Valve Stem Caps for TPMS Sensor, Date first available Mar. 17, 2020, [online]retrieved Nov. 15, 2021,available from [https://www.amazon.com/Original-Plastic-Replacement-Service-Universal/dp/B084KT2FLY/ref=sr\\_1\\_8?keywords=tire%2Bsensor%2Bcover&qid=1636990633&qsid=134-5564337-292](https://www.amazon.com/Original-Plastic-Replacement-Service-Universal/dp/B084KT2FLY/ref=sr_1_8?keywords=tire%2Bsensor%2Bcover&qid=1636990633&qsid=134-5564337-292) (Year: 2020).\*

(\*\*) Term: **15 Years**

(Continued)

(21) Appl. No.: **29/715,120**

(22) Filed: **Nov. 27, 2019**

*Primary Examiner* — Keli L Hill

*Assistant Examiner* — Sara S Sahneh

(30) **Foreign Application Priority Data**

Sep. 12, 2019 (CN) ..... 201930503746.8

(74) *Attorney, Agent, or Firm* — Shumaker & Sieffert, P.A.

(51) **LOC (14) Cl.** ..... **10-04**

(52) **U.S. Cl.** ..... **D10/86**  
USPC .....

(58) **Field of Classification Search**  
USPC ..... D10/81–86, 94–103  
CPC ..... B60C 23/0491; B60C 23/0452; B60C 23/0493; B60C 23/04; B60C 23/0498; B60C 23/0496; B60C 23/0479; B60C 23/04985; B60C 23/0408; H01Q 1/2241; H01Q 7/00; B29D 2030/0072; B29D 2030/0077; Y10T 152/10  
See application file for complete search history.

(57) **CLAIM**

The ornamental design for a wall-mounted tire pressure monitoring sensor, as shown and described.

**DESCRIPTION**

FIG. 1 is an overhead perspective view of an embodiment of a wall-mounted tire pressure monitoring sensor showing our new design;  
FIG. 2 is a front elevational view thereof;  
FIG. 3 is a rear elevational view thereof;  
FIG. 4 is a left side elevational view thereof;  
FIG. 5 is a right side elevational view thereof;  
FIG. 6 is a top plan view thereof; and,  
FIG. 7 is a bottom plan view thereof.  
The portions depicted in broken lines are shown for the purpose of illustrating portions of the wall-mounted tire pressure monitoring sensor and form no part of the claimed design.

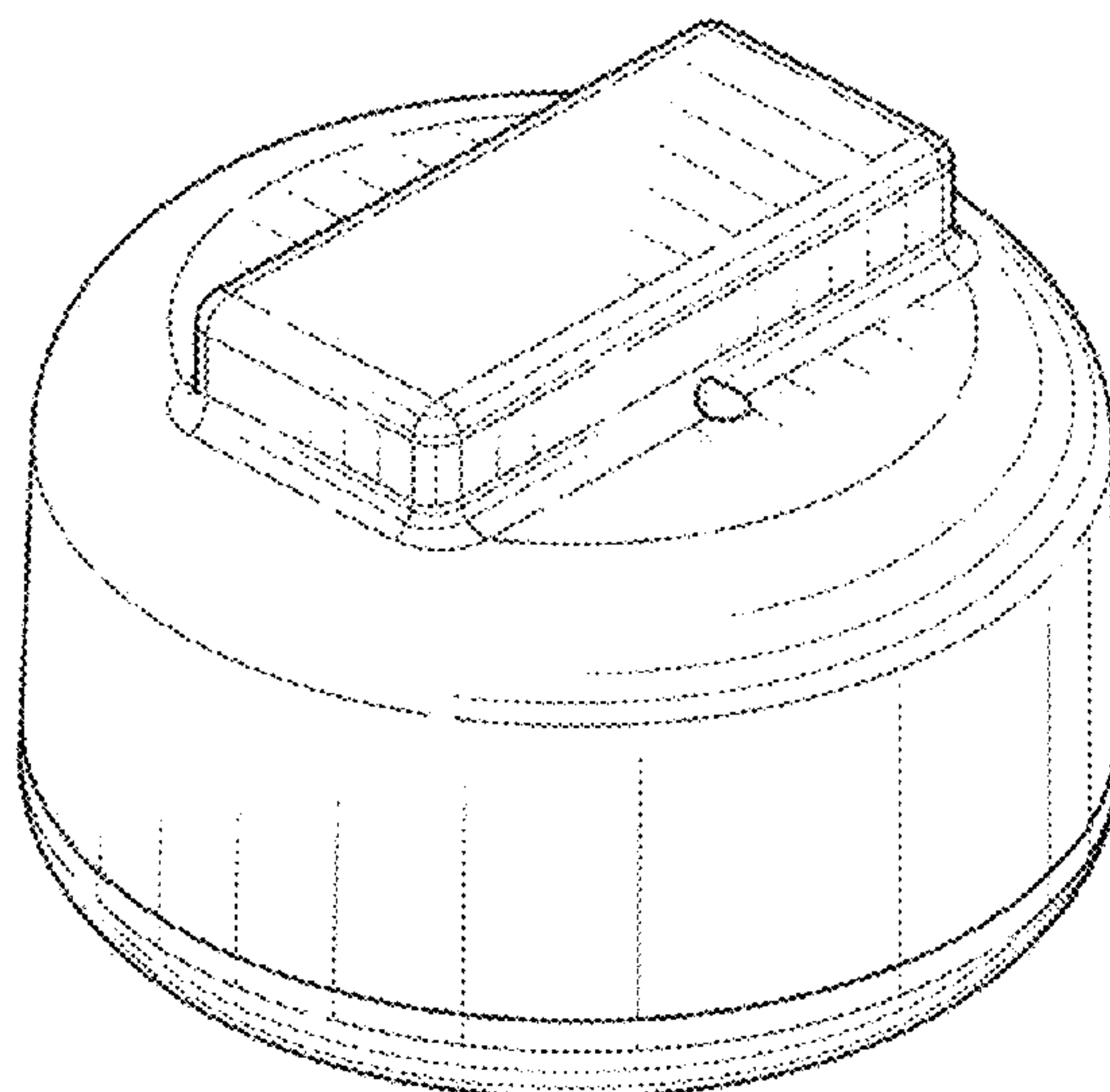
(56) **References Cited**

U.S. PATENT DOCUMENTS

6,030,478 A \* 2/2000 Koch ..... B60C 23/0493 156/123  
D562,166 S \* 2/2008 Petrucelli ..... D10/86  
D567,126 S \* 4/2008 Zheng ..... D10/86  
D588,483 S \* 3/2009 Chu ..... D10/85  
D734,188 S \* 7/2015 Tsunoda ..... D10/86

(Continued)

**1 Claim, 4 Drawing Sheets**



(56)

References Cited

U.S. PATENT DOCUMENTS

D903,516 S \* 12/2020 Lu ..... D10/86  
 2015/0020585 A1 \* 1/2015 Dussinger ..... B60C 23/0411  
 73/146.5  
 2016/0023523 A1 \* 1/2016 Palacios ..... B60C 23/0496  
 73/146.8  
 2018/0154708 A1 \* 6/2018 Yang ..... G01M 17/02  
 2018/0354318 A1 \* 12/2018 Lin ..... B60C 23/006  
 2020/0055354 A1 \* 2/2020 Barjon ..... B60C 23/0493  
 2020/0130433 A1 \* 4/2020 Stewart ..... H01Q 7/00  
 2021/0252816 A1 \* 8/2021 So ..... B29D 30/0061

FOREIGN PATENT DOCUMENTS

CN 304945178 \* 1/2018  
 CN 305788830 \* 9/2019  
 CN 305885496 \* 3/2020  
 CN 305995605 \* 4/2020  
 GB 9007274626-0002 \* 11/2019

OTHER PUBLICATIONS

Tymate Store, Tire Pressure Monitoring System, Date first available Mar. 2, 2020, [online]retrieved Nov. 15, 2021, available from [https://www.amazon.com/Tymate-Tire-Pressure-Monitoring-System/dp/B085C2HMQP/ref=sr\\_1\\_2\\_sspa?\\_encoding=UTF8&c=ts&keywords=Tire+Pressure+Monitoring+Systems+%28TPMS%29&qid=163699](https://www.amazon.com/Tymate-Tire-Pressure-Monitoring-System/dp/B085C2HMQP/ref=sr_1_2_sspa?_encoding=UTF8&c=ts&keywords=Tire+Pressure+Monitoring+Systems+%28TPMS%29&qid=163699) (Year: 2020).\*

Elikliv Store, RV Tire Pressure Monitoring System, Date first available Nov. 4, 2019, [online]retrieved Nov. 15, 2021, available from [https://www.amazon.com/Elikliv-Pressure-Monitoring-Real-time-Temperature/dp/B07ZZ2RCX7/ref=psdc\\_2201764011\\_t4\\_B092Z8TQL1](https://www.amazon.com/Elikliv-Pressure-Monitoring-Real-time-Temperature/dp/B07ZZ2RCX7/ref=psdc_2201764011_t4_B092Z8TQL1) (Year: 2019).\*

B-Qtech Store, Solar Power Tire Pressure Monitoring System, Date first available Apr. 29, 2019, [online]retrieved Nov. 15, 2021, available from [https://www.amazon.com/dp/B07Q5ZFG4F/ref=sspa\\_dk\\_detail\\_8?pd\\_rd\\_i=B07Q5ZFG4F&pd\\_rd\\_w=Aw3MN&pf\\_rd\\_p=9fd3ea7c-b77c-42ac-b43b-c872d3f37c38&pd\\_rd\\_wg=rCJTE&pf\\_rd\\_r=B](https://www.amazon.com/dp/B07Q5ZFG4F/ref=sspa_dk_detail_8?pd_rd_i=B07Q5ZFG4F&pd_rd_w=Aw3MN&pf_rd_p=9fd3ea7c-b77c-42ac-b43b-c872d3f37c38&pd_rd_wg=rCJTE&pf_rd_r=B) (Year: 2019).\*

\* cited by examiner

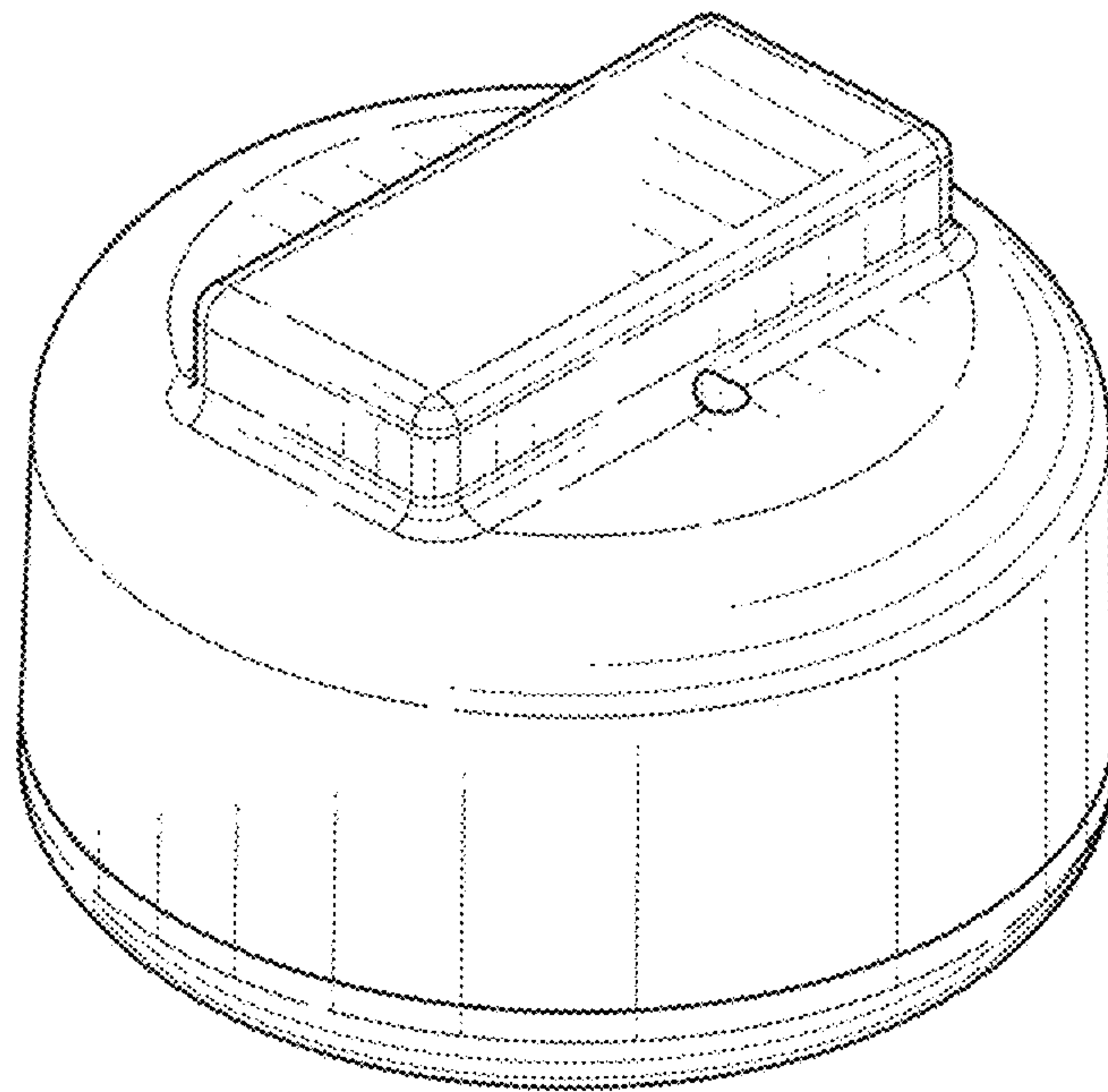


FIG. 1

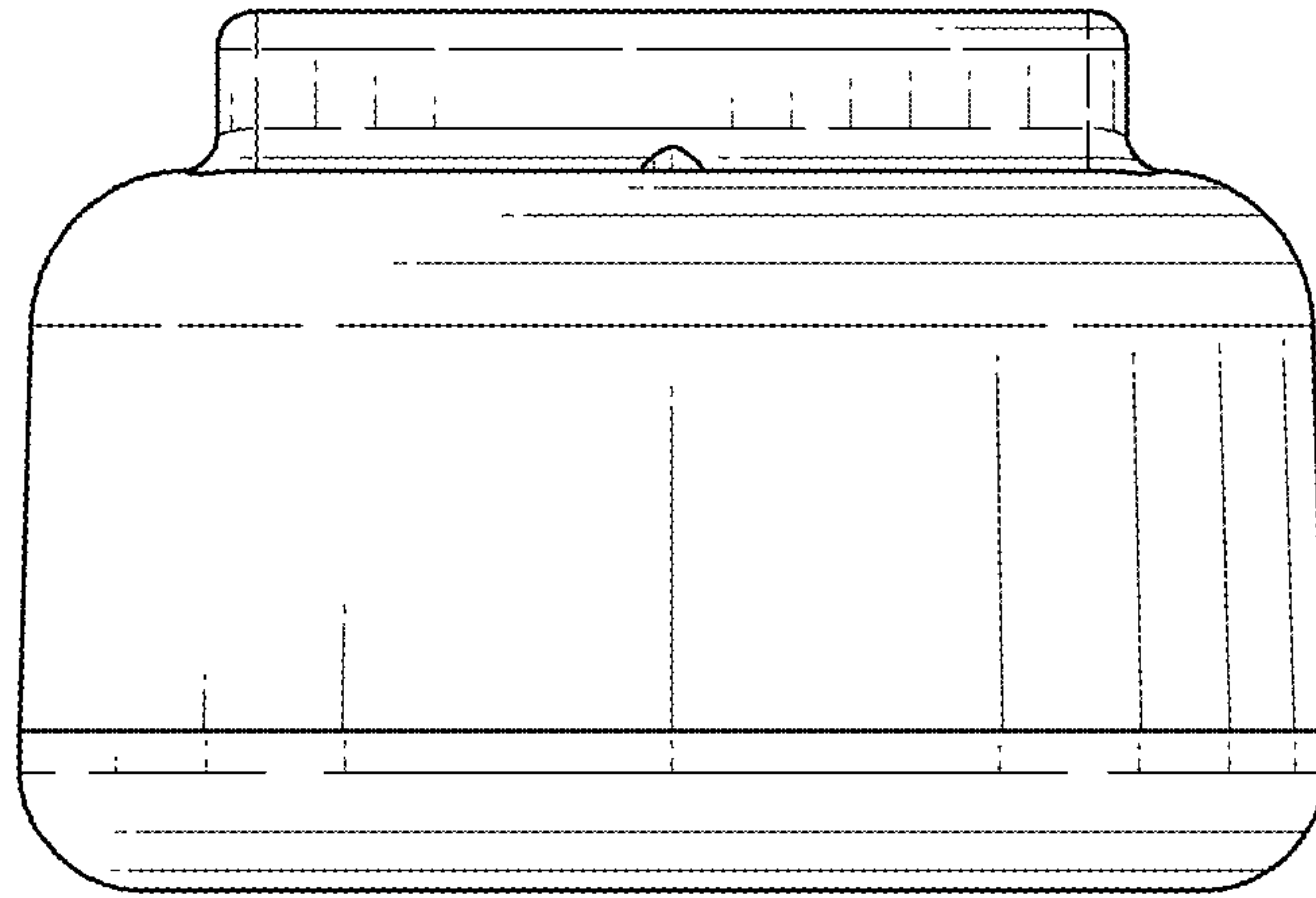


FIG. 2

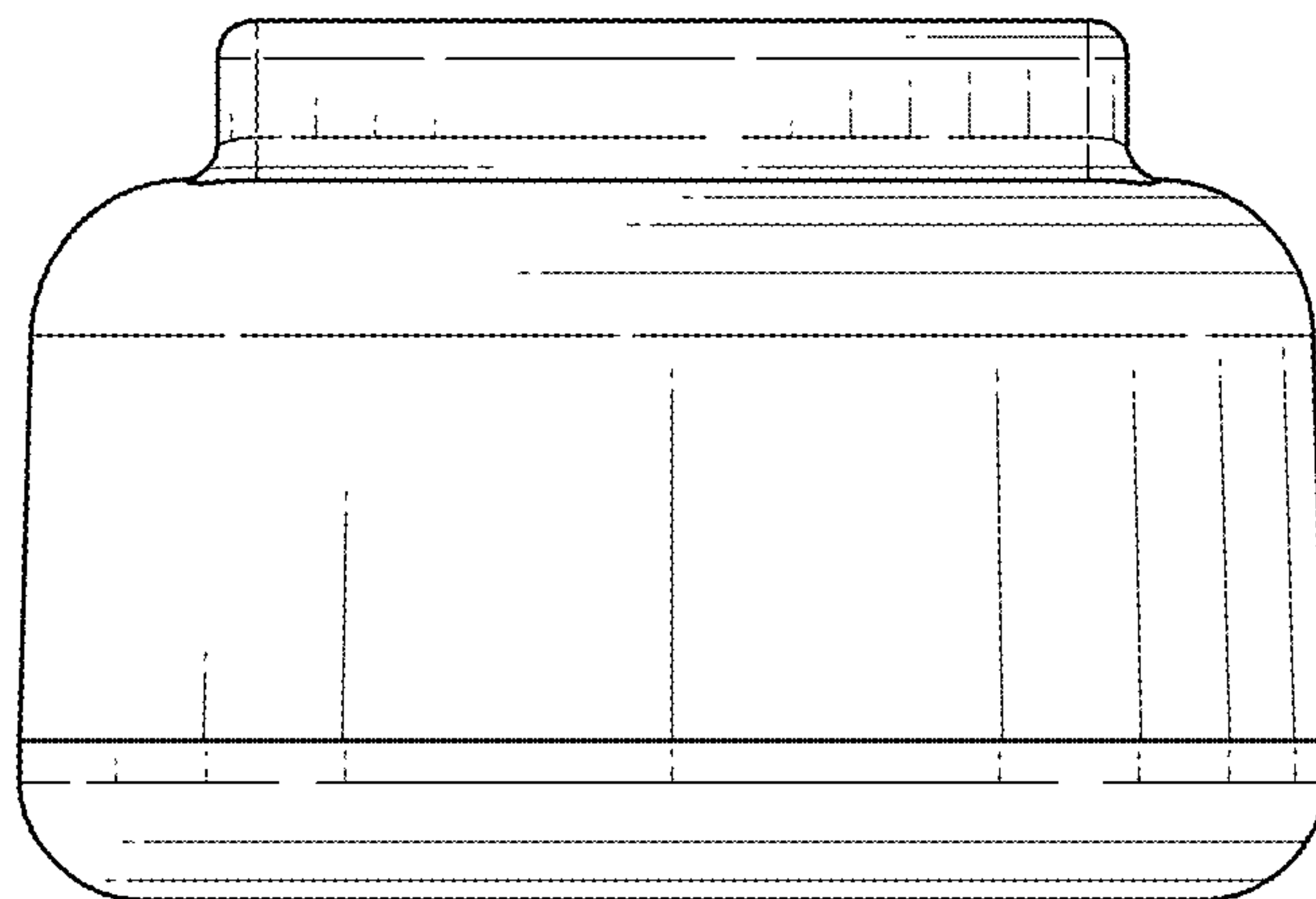


FIG. 3

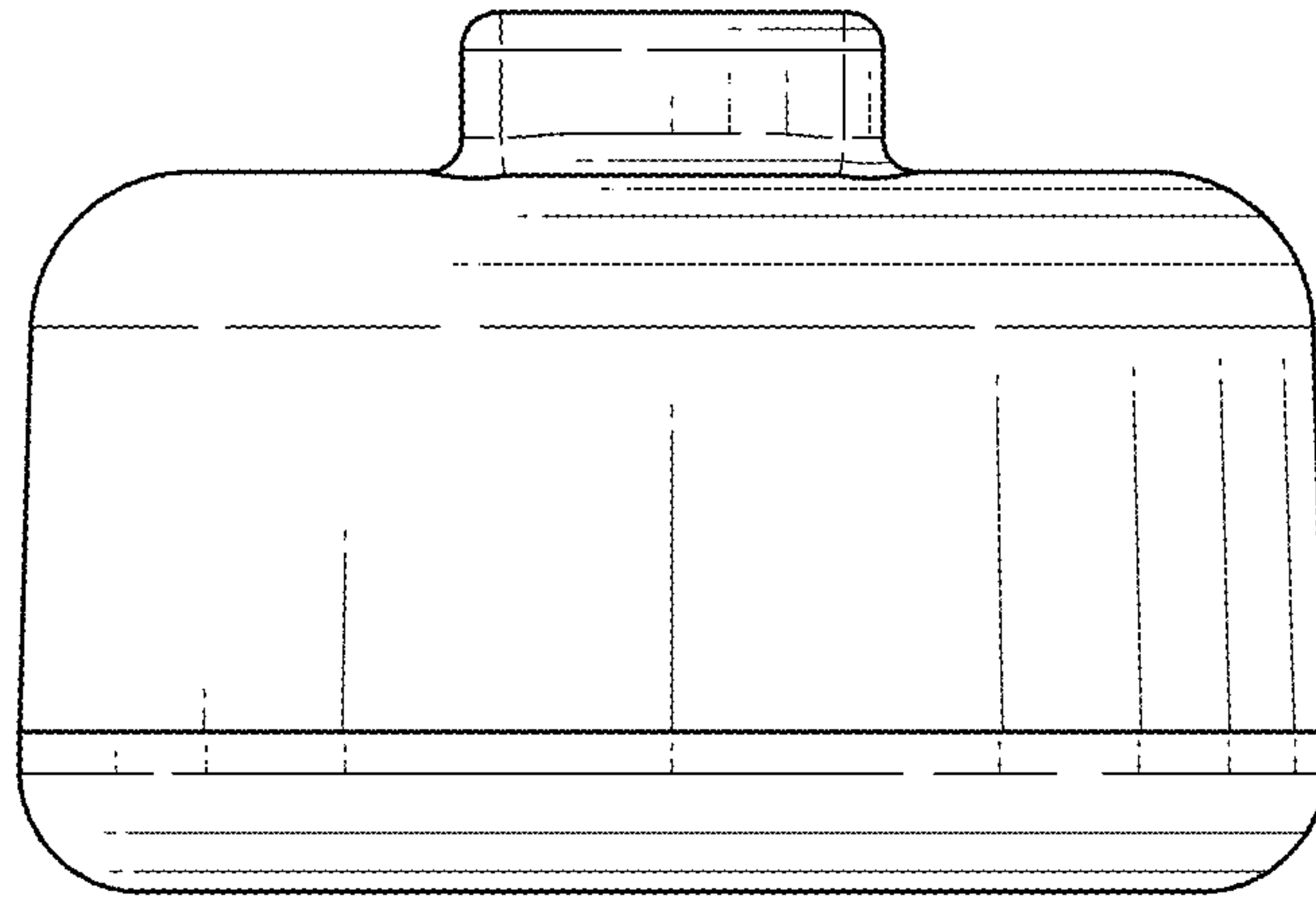


FIG. 4

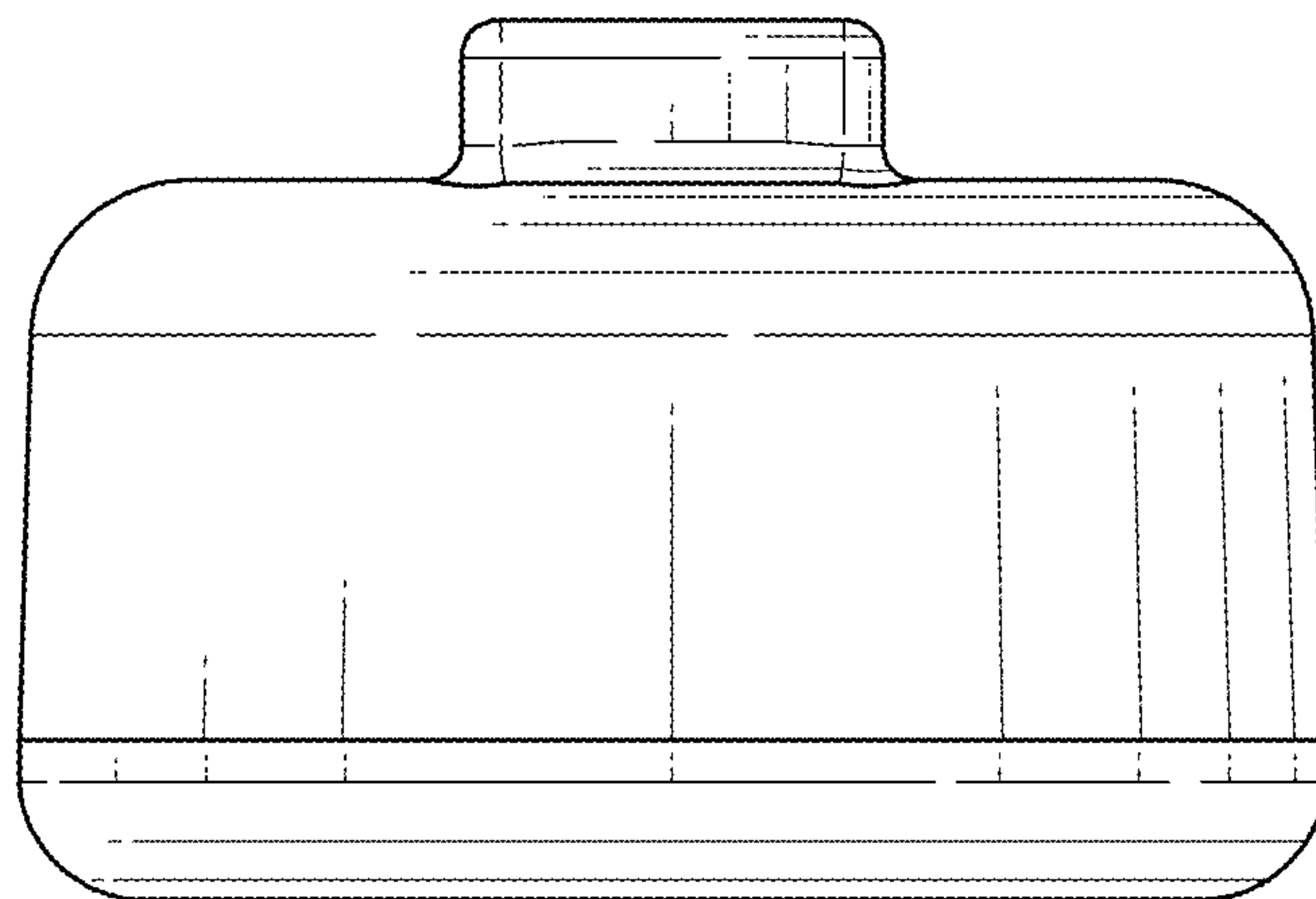


FIG. 5



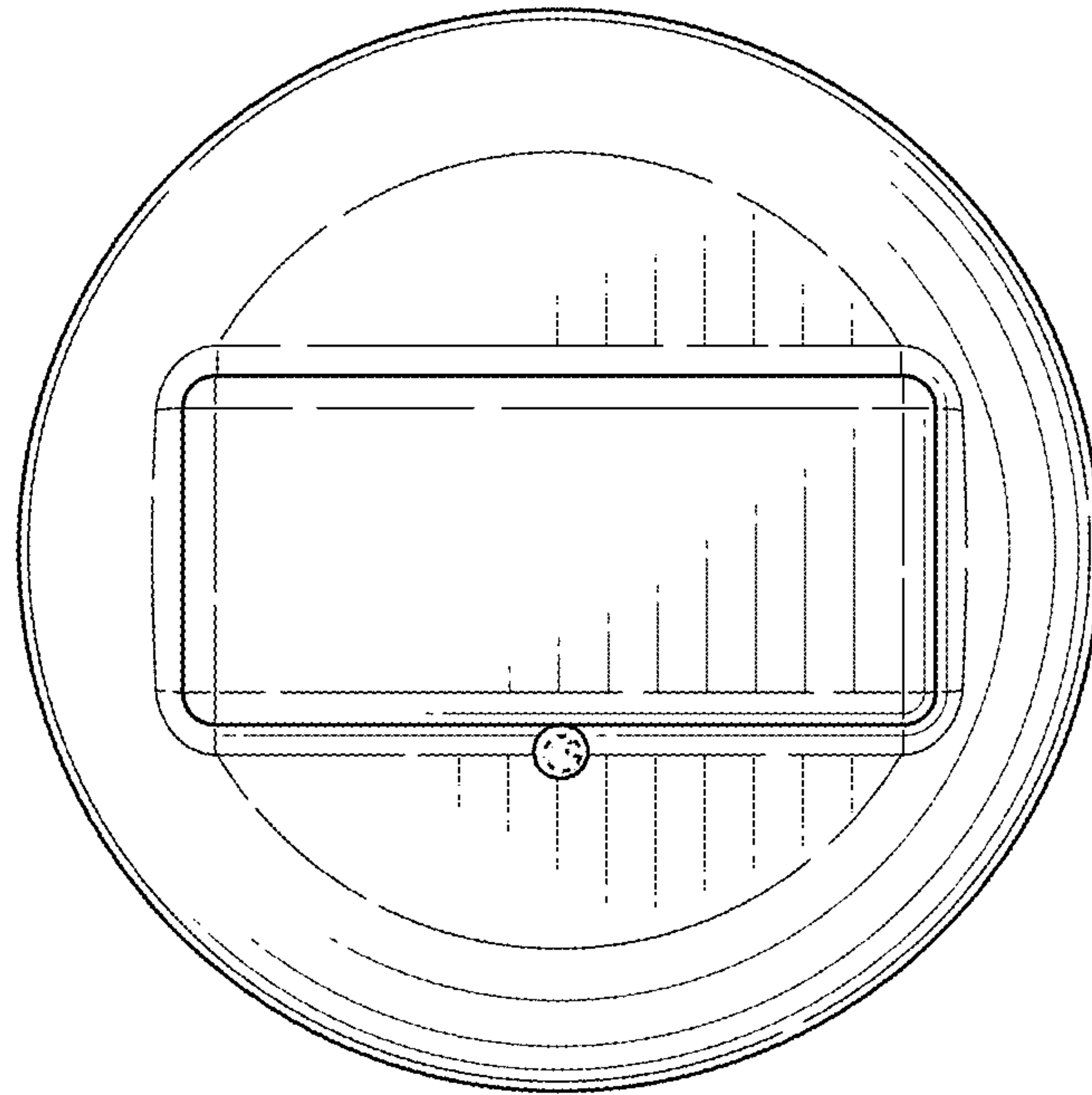


FIG. 6

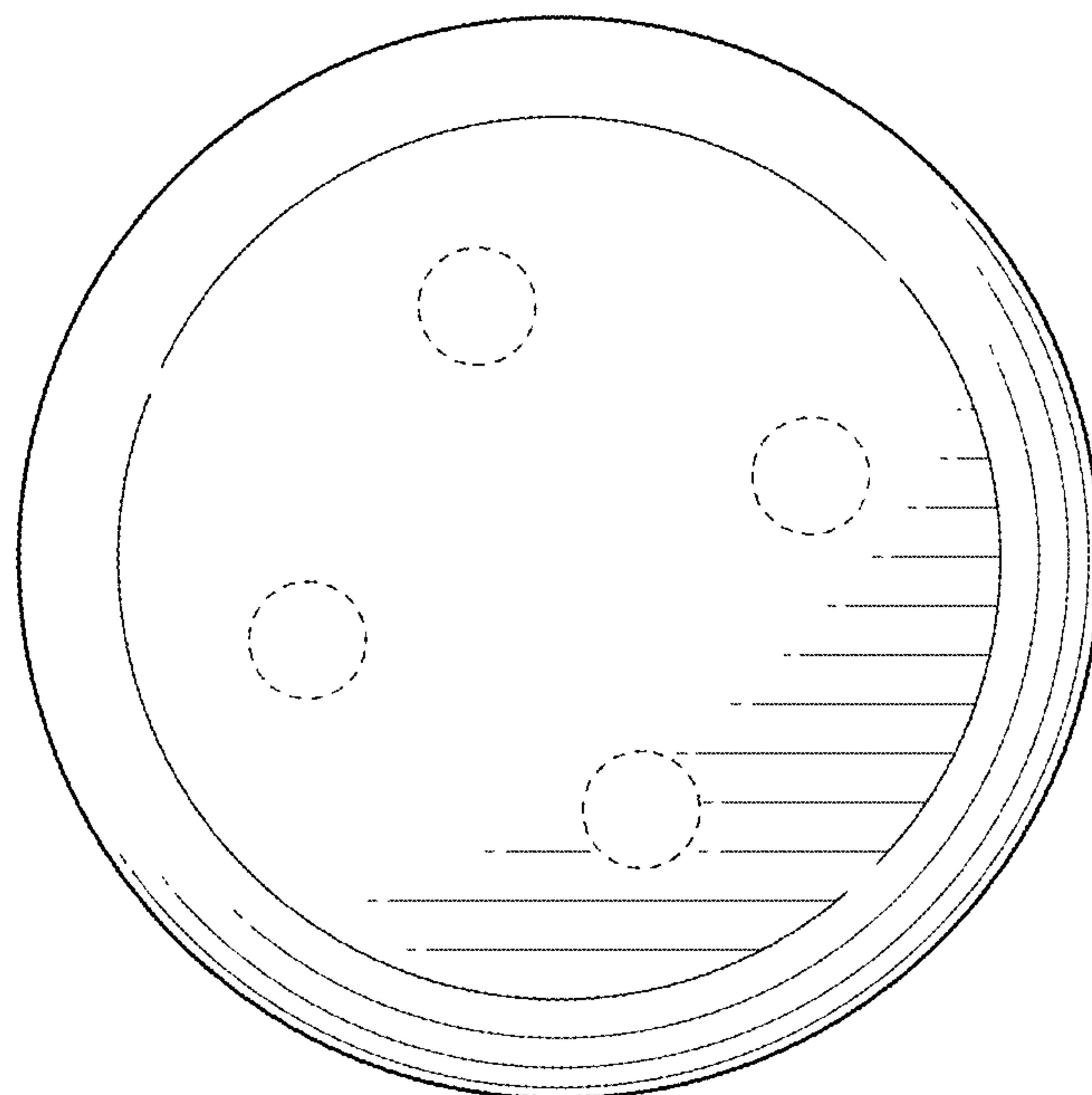


FIG. 7