



US00D974203S

(12) **United States Design Patent**
Kobayashi et al.

(10) **Patent No.:** **US D974,203 S**

(45) **Date of Patent:** **** Jan. 3, 2023**

(54) **GAS ANALYZER**

(71) Applicant: **Yokogawa Electric Corporation,**
Tokyo (JP)

(72) Inventors: **Jun Kobayashi,** Musashino (JP);
Norihiko Tadata, Musashino (JP)

(**) Term: **15 Years**

(21) Appl. No.: **35/512,284**

(22) Filed: **Jan. 25, 2021**

(80) **Hague Agreement Data**

Int. Filing Date: **Jan. 25, 2021**

Int. Reg. No.: **DM/213554**

Int. Reg. Date: **Jan. 25, 2021**

Int. Reg. Pub. Date: **Jul. 30, 2021**

(51) **LOC (14) Cl.** **10-04**

(52) **U.S. Cl.**
USPC **D10/81**

(58) **Field of Classification Search**
USPC D10/81, 106.2
CPC G01N 21/3504
See application file for complete search history.

(56) **References Cited**

U.S. PATENT DOCUMENTS

D256,785 S *	9/1980	Salsgiver	D10/81
D330,171 S *	10/1992	Wilson	D10/78
D404,324 S *	1/1999	Seager	D10/78
D447,974 S *	9/2001	Koyano	D10/106.2
D457,456 S *	5/2002	Holland	D10/106.2
D485,771 S *	1/2004	Ribeiro	D10/96
D499,347 S *	12/2004	Fudali	D10/78
D671,851 S *	12/2012	Treharne	D10/78
D811,916 S *	3/2018	Lee	D10/106.2

D826,752 S *	8/2018	Lee	D10/81
D874,302 S *	2/2020	Ruttier	D10/81
D931,747 S *	9/2021	Bürdel	D24/186
D939,984 S *	1/2022	Duan	D10/81
D949,033 S *	4/2022	Zhu	D10/81

OTHER PUBLICATIONS

Honeywell MicroClip 4-Gas https://www.industrialsafetyproducts.com/honeywell-mcxl-xwhm-y-na-microclip-4-gas-lel-o2-co-h2s/?gclid=EAlalQobChMI5ujkuc2Z-QIVhu6zCh2mzgxoEAQYBSABEgKNrfd_BwE 2020 (Year: 2020).
Basic 4 Gas Monitor <https://www.forensicsdetectors.com/products/basic-multigas-detector> (Year: 2020).*

* cited by examiner

Primary Examiner — George D. Kirschbaum

(57) **CLAIM**

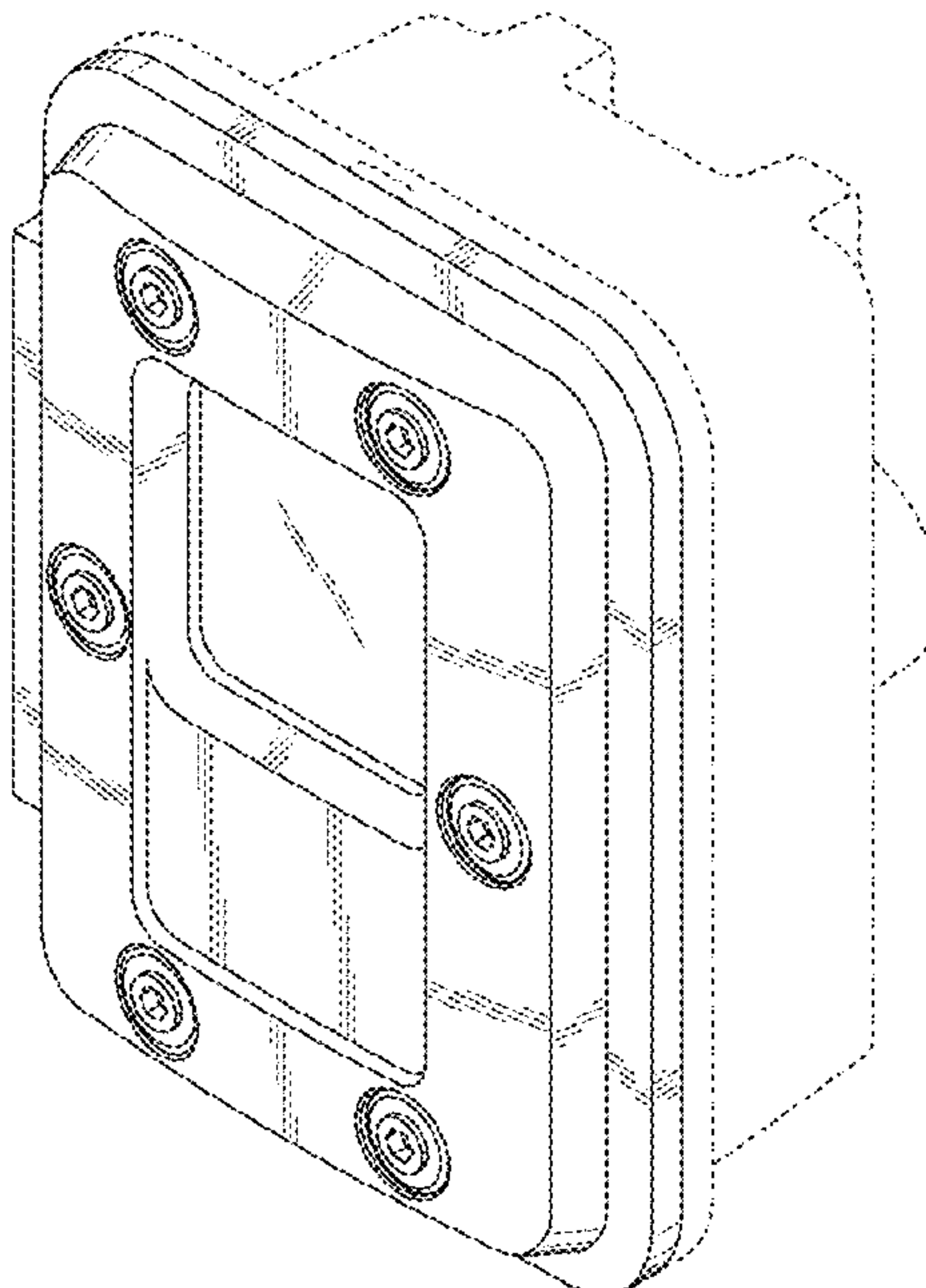
The ornamental design for a gas analyzer, as shown and described.

DESCRIPTION

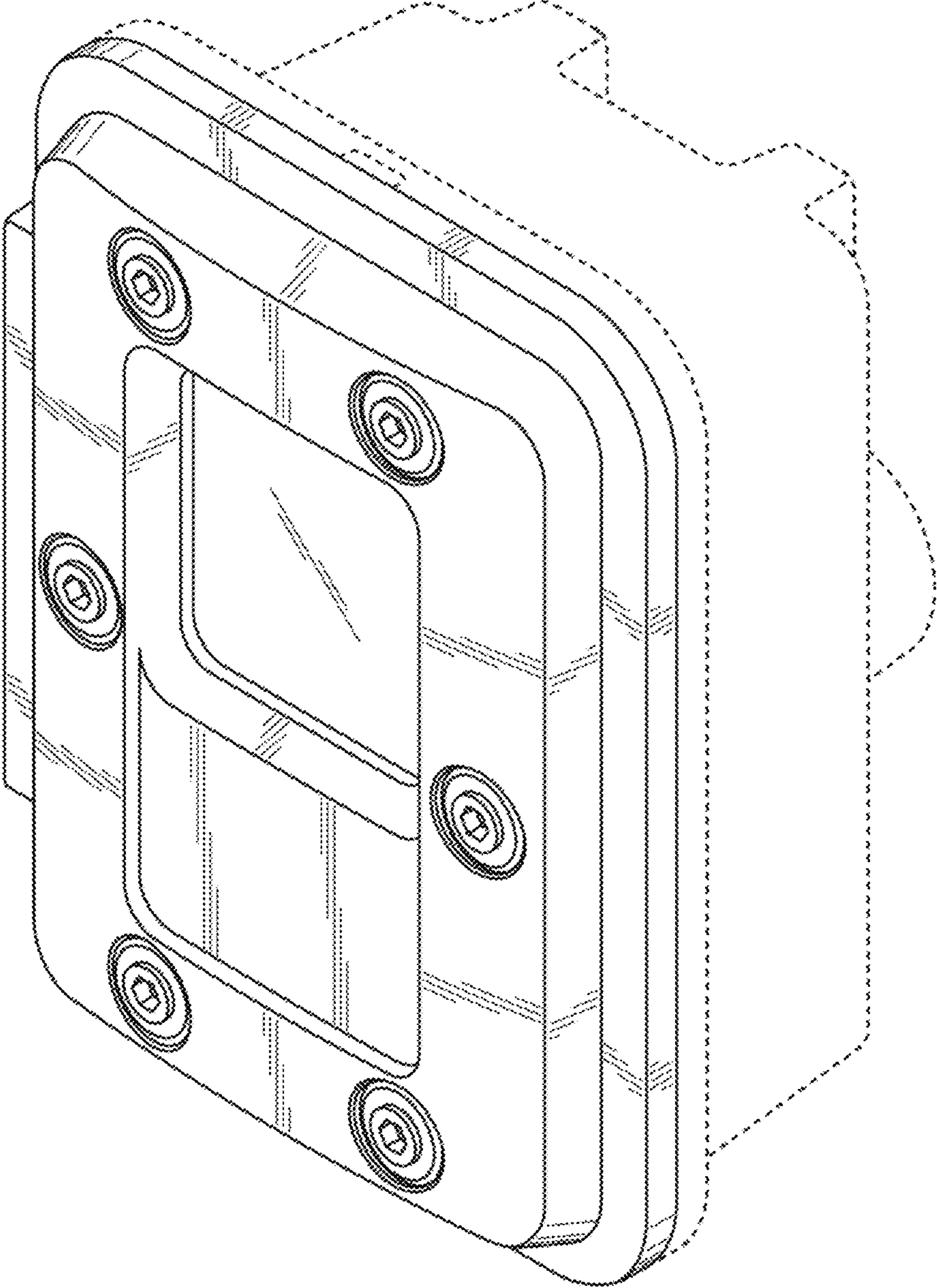
1. Gas analyzer
- 1.1 : Perspective
- 1.2 : Front
- 1.3 : Back
- 1.4 : Left
- 1.5 : Right
- 1.6 : Top
- 1.7 : Bottom

The broken lines do not form part of the claimed design; the dotted-dashed lines indicate the boundary between the claimed area and the unclaimed area.

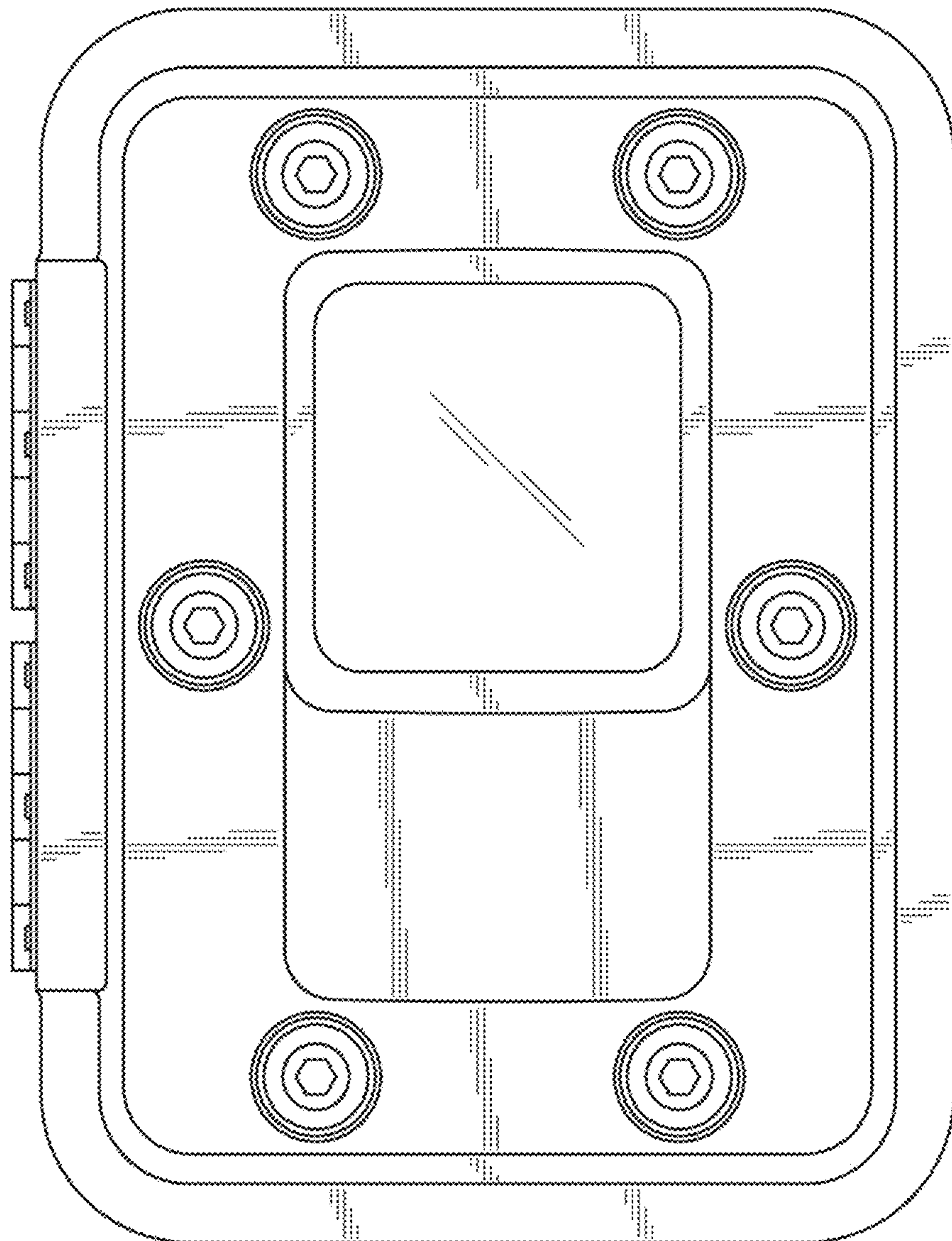
1 Claim, 7 Drawing Sheets



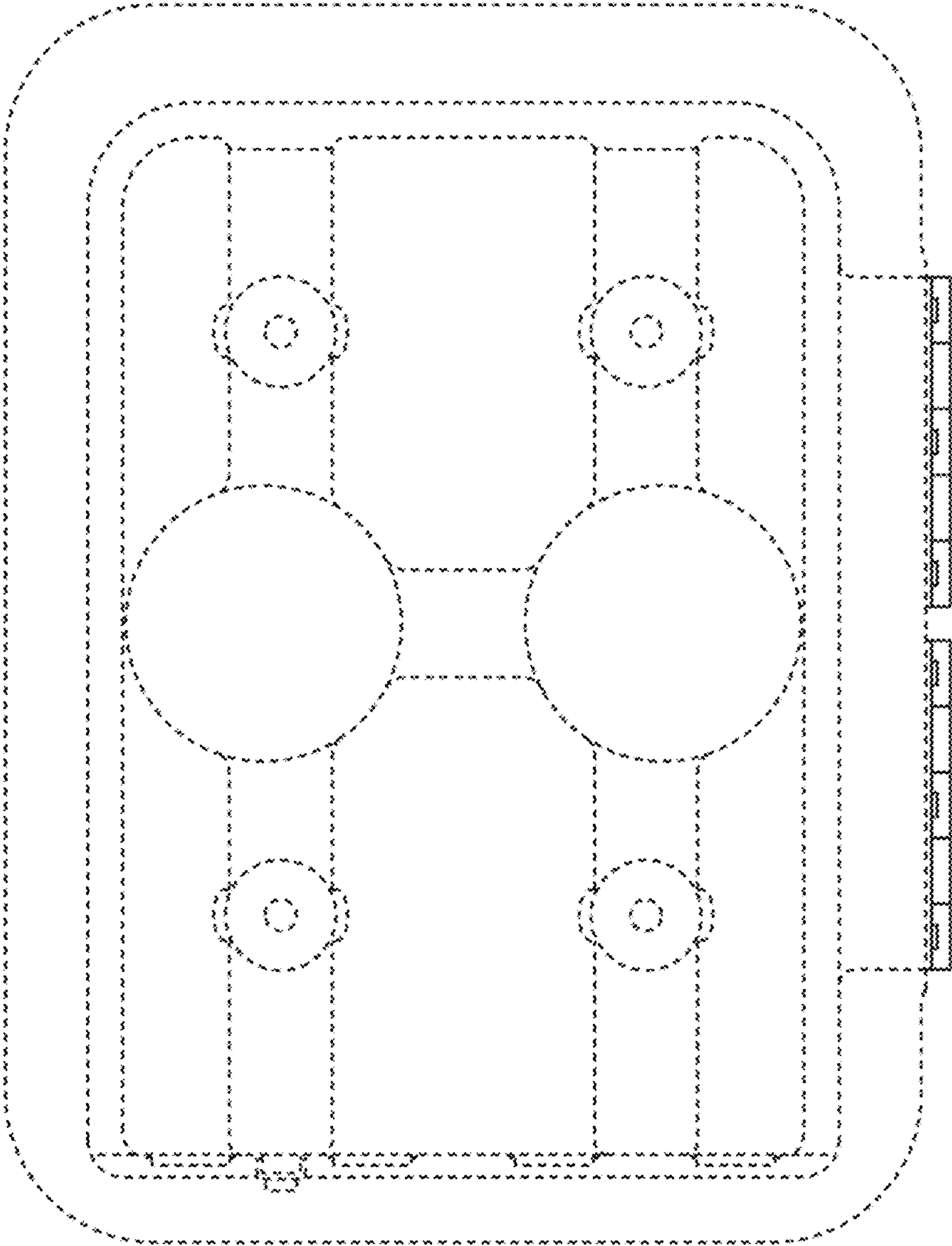
1.1



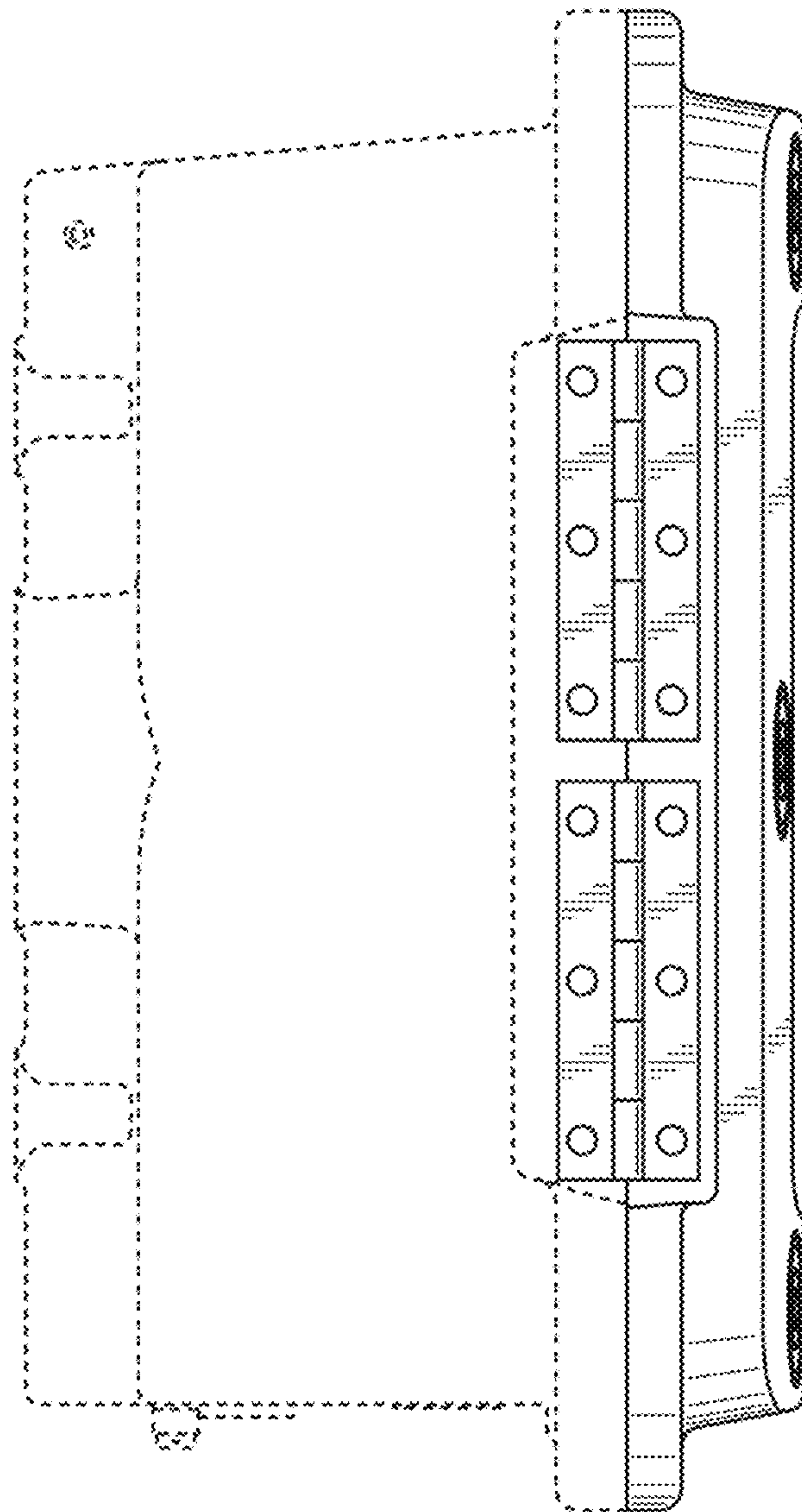
1.2



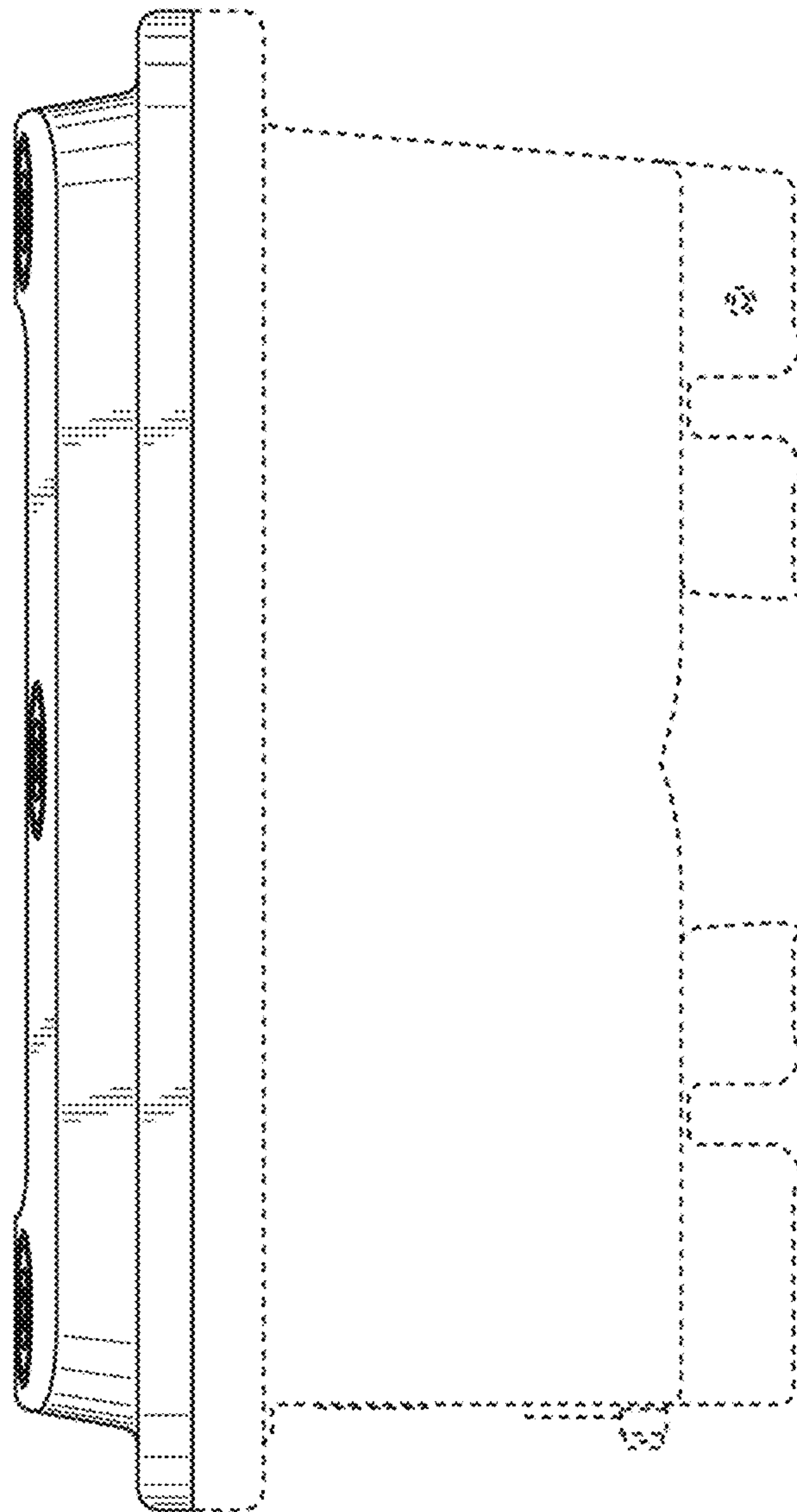
1.3



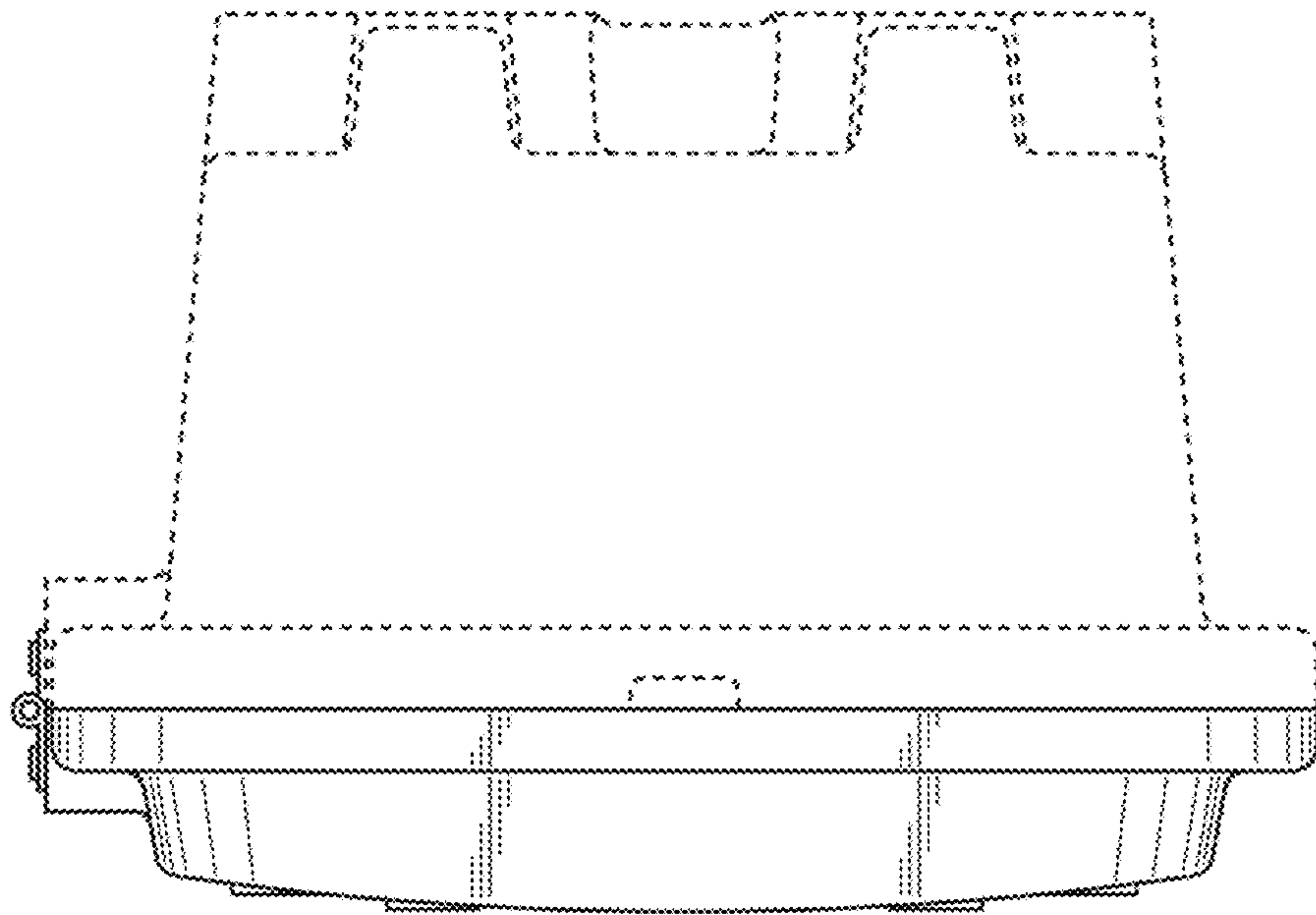
1.4



1.5



1.6



1.7

