



US00D974201S

(12) **United States Design Patent**
Yang

(10) **Patent No.:** **US D974,201 S**

(45) **Date of Patent:** **** Jan. 3, 2023**

(54) **INSTALLER FOR ANALYTE DETECTOR**

(71) Applicant: **MEDTRUM TECHNOLOGIES INC.,**
Shanghai (CN)

(72) Inventor: **Cuijun Yang,** Shanghai (CN)

(73) Assignee: **MEDTRUM TECHNOLOGIES INC.,**
Shanghai (CN)

(**) Term: **15 Years**

(21) Appl. No.: **29/753,057**

(22) Filed: **Sep. 29, 2020**

(30) **Foreign Application Priority Data**

Aug. 27, 2020 (CN) 202030498879.3

(51) **LOC (14) Cl.** **10-04**

(52) **U.S. Cl.**
USPC **D10/81**

(58) **Field of Classification Search**
USPC D10/70, 75, 51, 57, 98, 96; D24/186,
D24/112, 114, 169, 216
CPC A61B 5/6801
See application file for complete search history.

(56) **References Cited**

U.S. PATENT DOCUMENTS

- 6,093,172 A * 7/2000 Funderburk A61M 5/158
604/157
- D499,035 S * 11/2004 Cook D24/234
- D529,616 S * 10/2006 Deros D24/186
- D538,187 S * 3/2007 Liu D10/70
- D569,286 S * 5/2008 Noda D10/81
- D590,506 S * 4/2009 Krishnan D24/186
- D590,507 S * 4/2009 Krishnan D24/186
- D675,741 S * 2/2013 Anderson D24/186
- D677,793 S * 3/2013 Prpa D24/186

- D729,938 S * 5/2015 Farrell D24/169
- D731,905 S * 6/2015 Olivieri D10/70
- 9,247,900 B2 * 2/2016 Brister A61B 5/14865
- D765,254 S * 8/2016 Im D24/169
- D800,587 S * 10/2017 Cho D14/344
- D806,232 S * 12/2017 Hwang D24/112
- D839,412 S * 1/2019 Wohlfahrt D24/112
- D848,881 S * 5/2019 Huang D24/216
- D857,191 S * 8/2019 Hwang D24/112
- D860,013 S * 9/2019 Ahn D10/70
- 10,413,224 B2 * 9/2019 Yang A61B 5/0022
- D874,011 S * 1/2020 John D6/601
- D879,317 S * 3/2020 Ullman D24/163
- 10,588,551 B2 * 3/2020 Ko A61B 5/6833
- D882,070 S * 4/2020 Inoh D24/112
- D921,918 S * 6/2021 Eriksson D24/216
- D926,607 S * 8/2021 Vroonen D10/70
- 11,083,371 B1 * 8/2021 Szabados A61B 5/6833
- D942,641 S * 2/2022 Reavis, Jr. D24/216
- D943,434 S * 2/2022 Zhevelev D10/70

(Continued)

Primary Examiner — George D. Kirschbaum

Assistant Examiner — Antoinette Martine Suiter

(74) *Attorney, Agent, or Firm* — JCIP Global Inc.

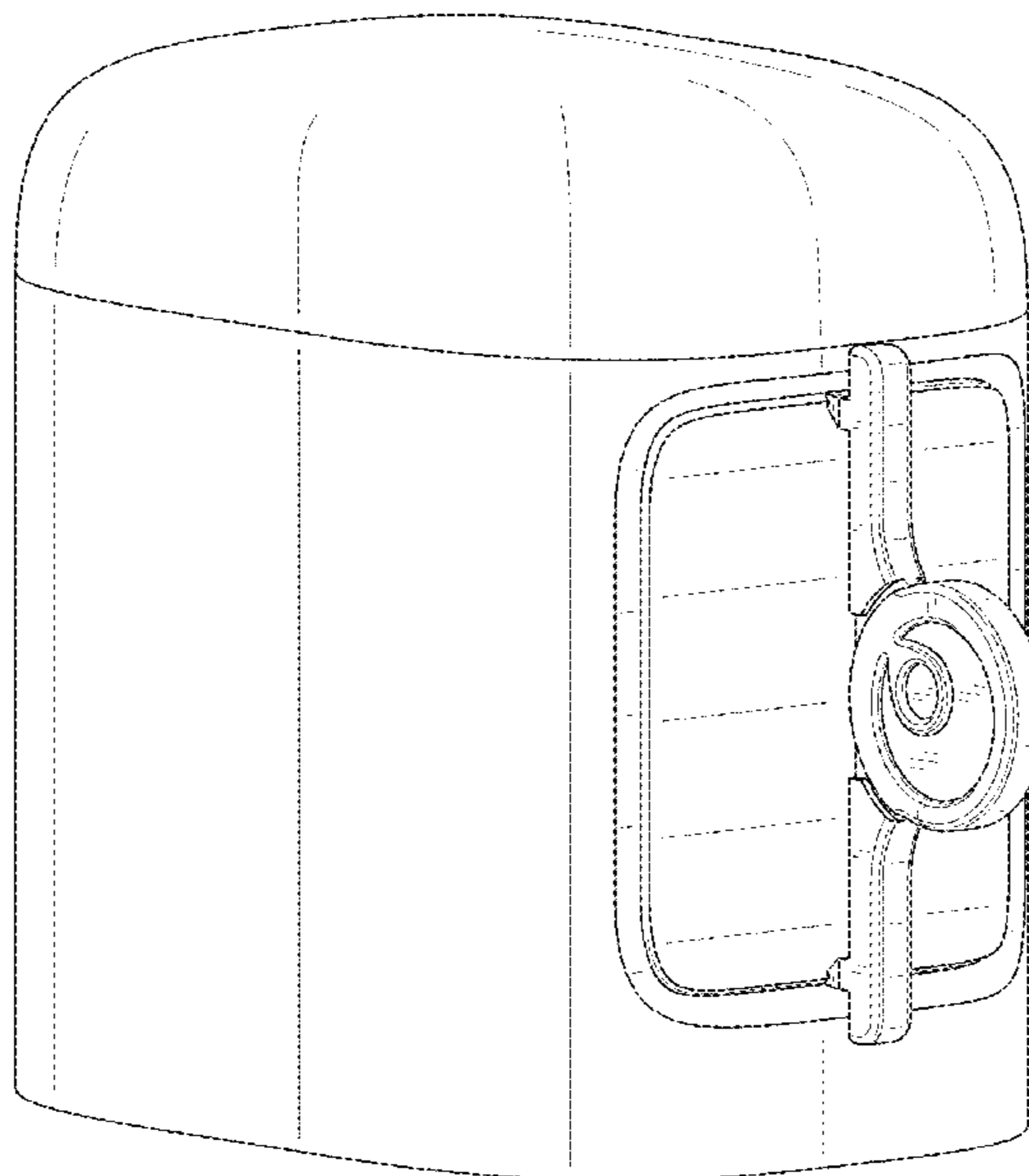
(57) **CLAIM**

The ornamental design for an installer for analyte detector, as shown and described.

DESCRIPTION

FIG. 1 is a perspective view of an installer for analyte detector showing my new design;
 FIG. 2 is a front view thereof;
 FIG. 3 is a rear view thereof;
 FIG. 4 is a left side view thereof;
 FIG. 5 is a right side view thereof;
 FIG. 6 is a top view thereof; and,
 FIG. 7 is a bottom view thereof.
 The dashed broken lines illustrate portions of the article that form no part of the claimed design.

1 Claim, 7 Drawing Sheets



(56)

References Cited

U.S. PATENT DOCUMENTS

D948,723 S * 4/2022 Yang D24/169
2021/0220555 A1 * 7/2021 Stefanov A61M 5/14244

* cited by examiner

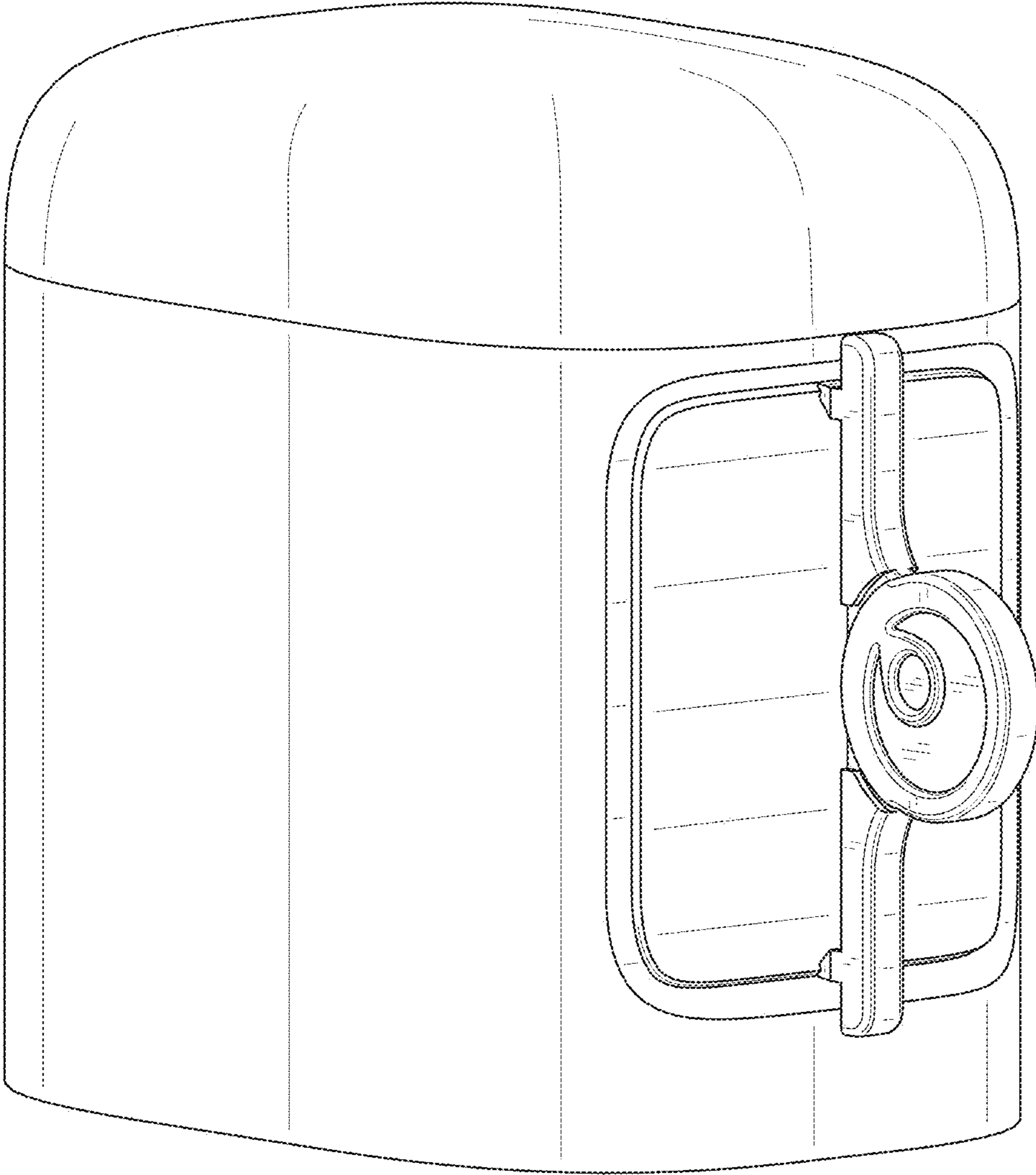


FIG. 1

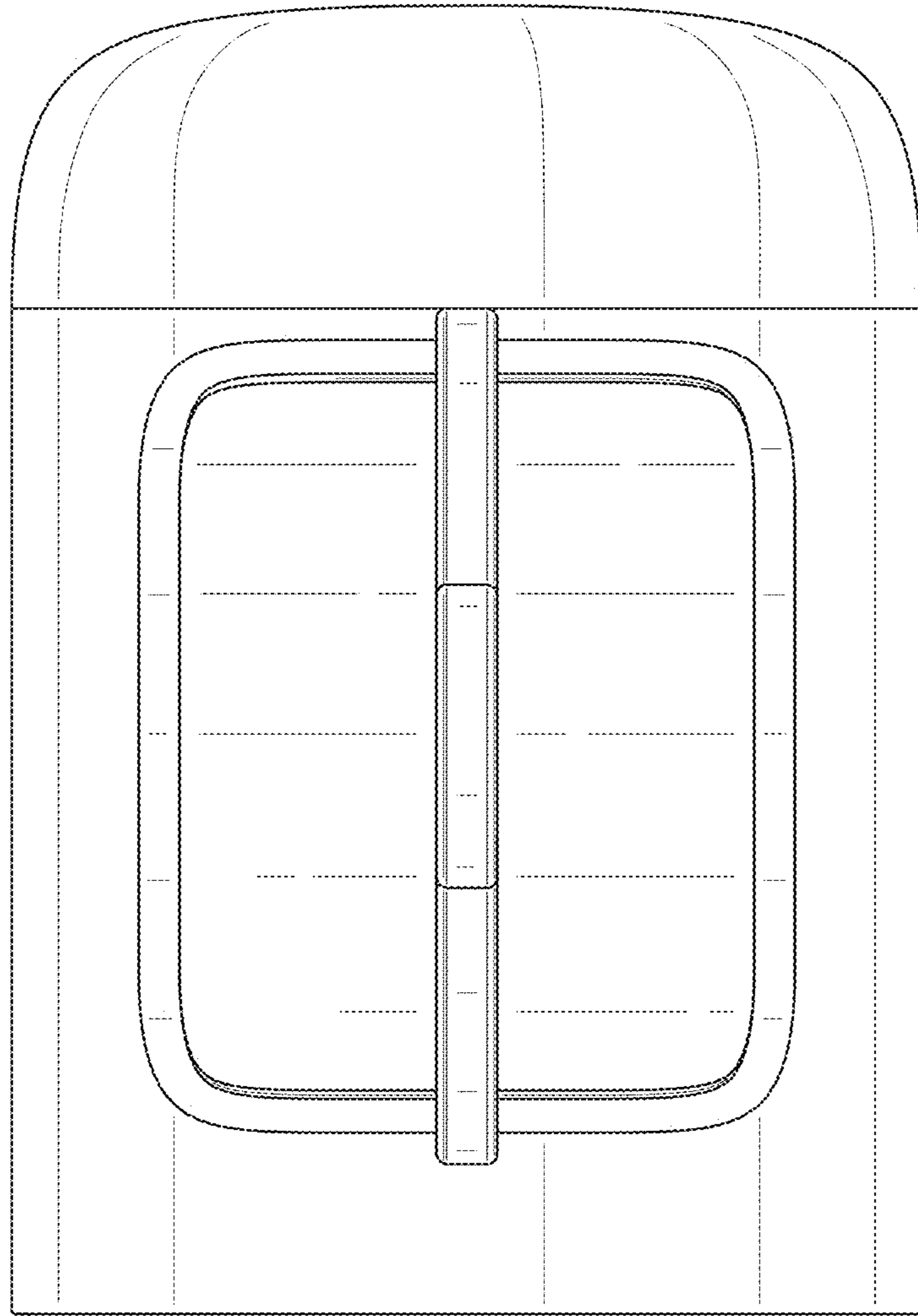


FIG. 2

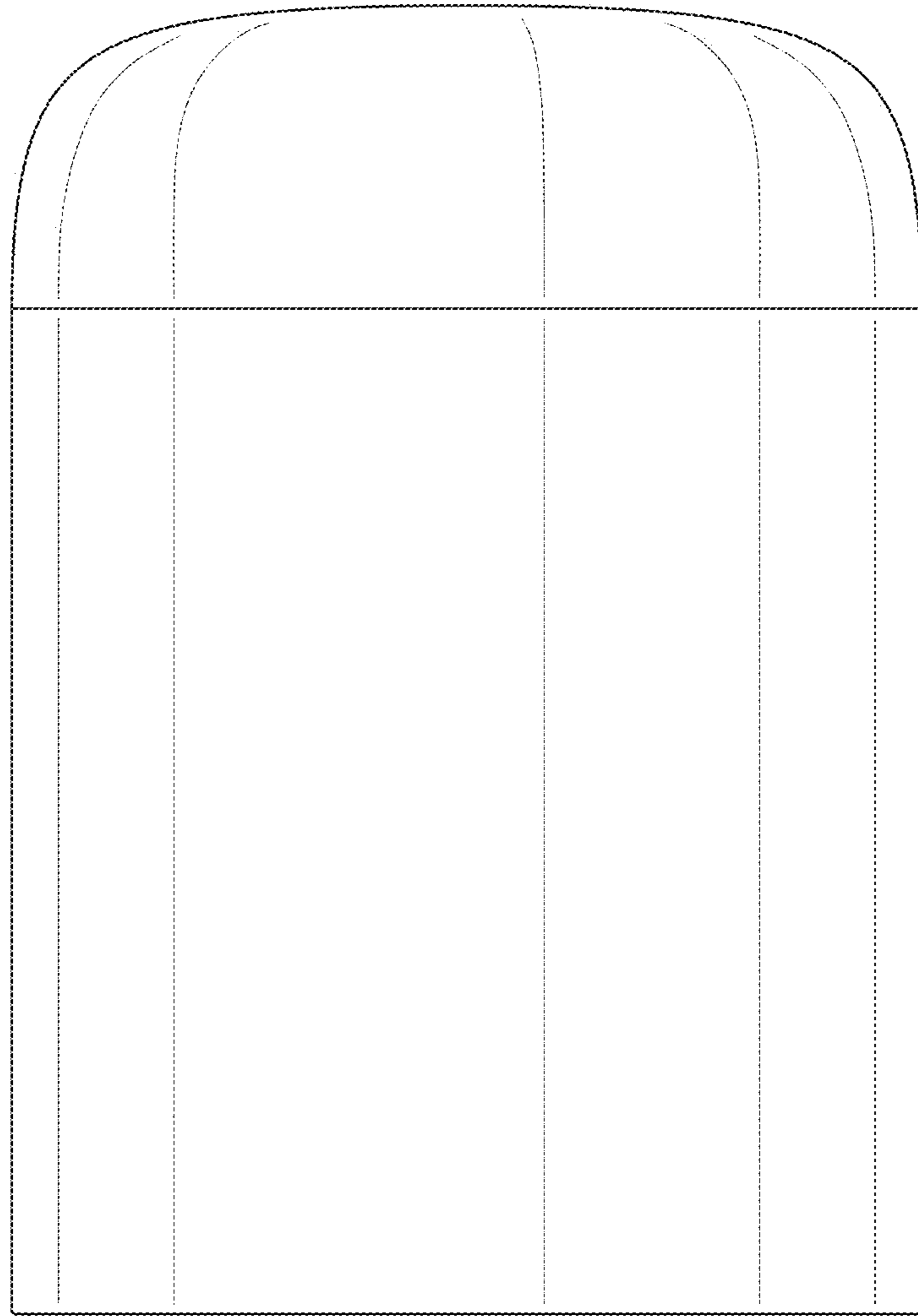


FIG. 3

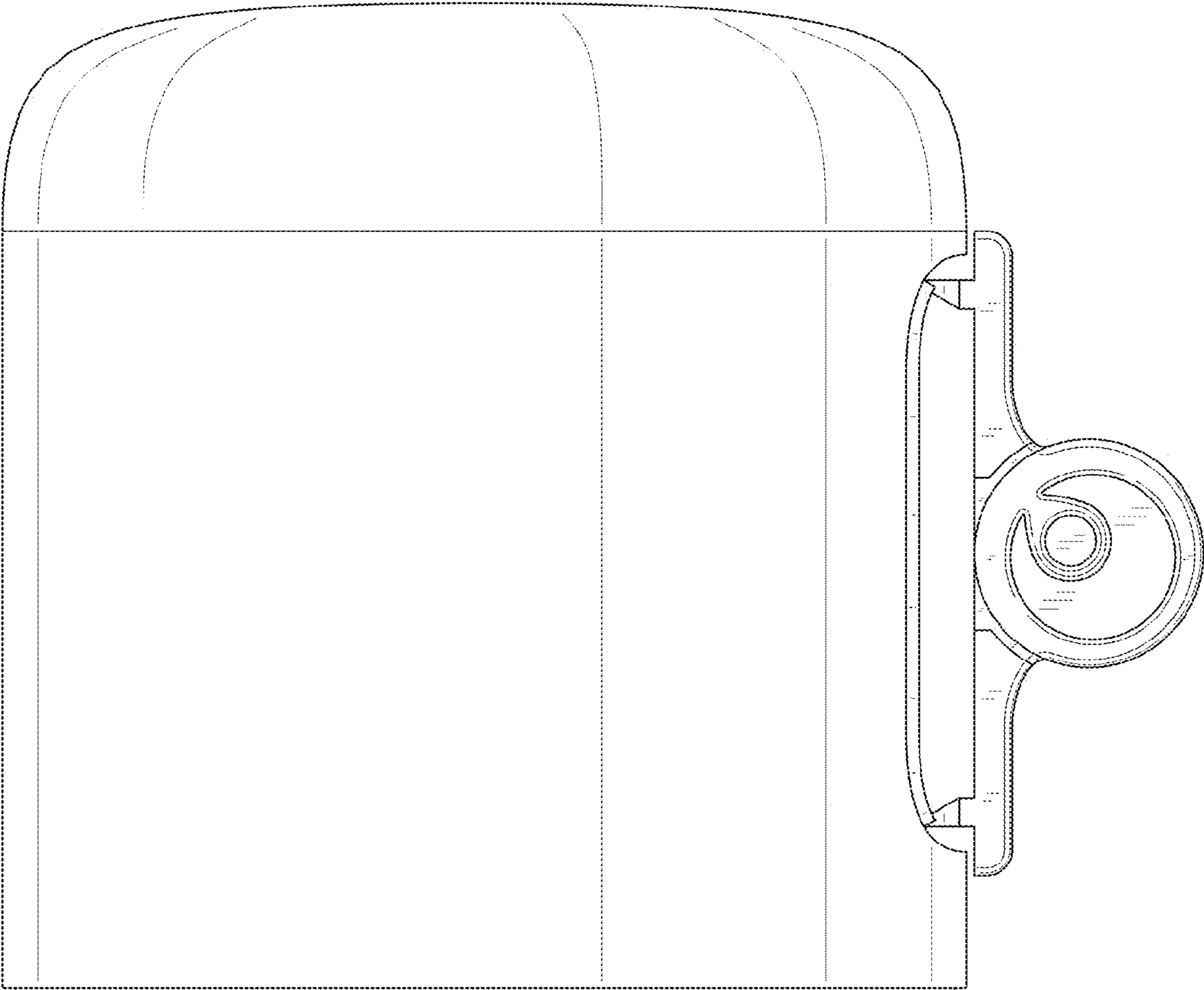


FIG. 4

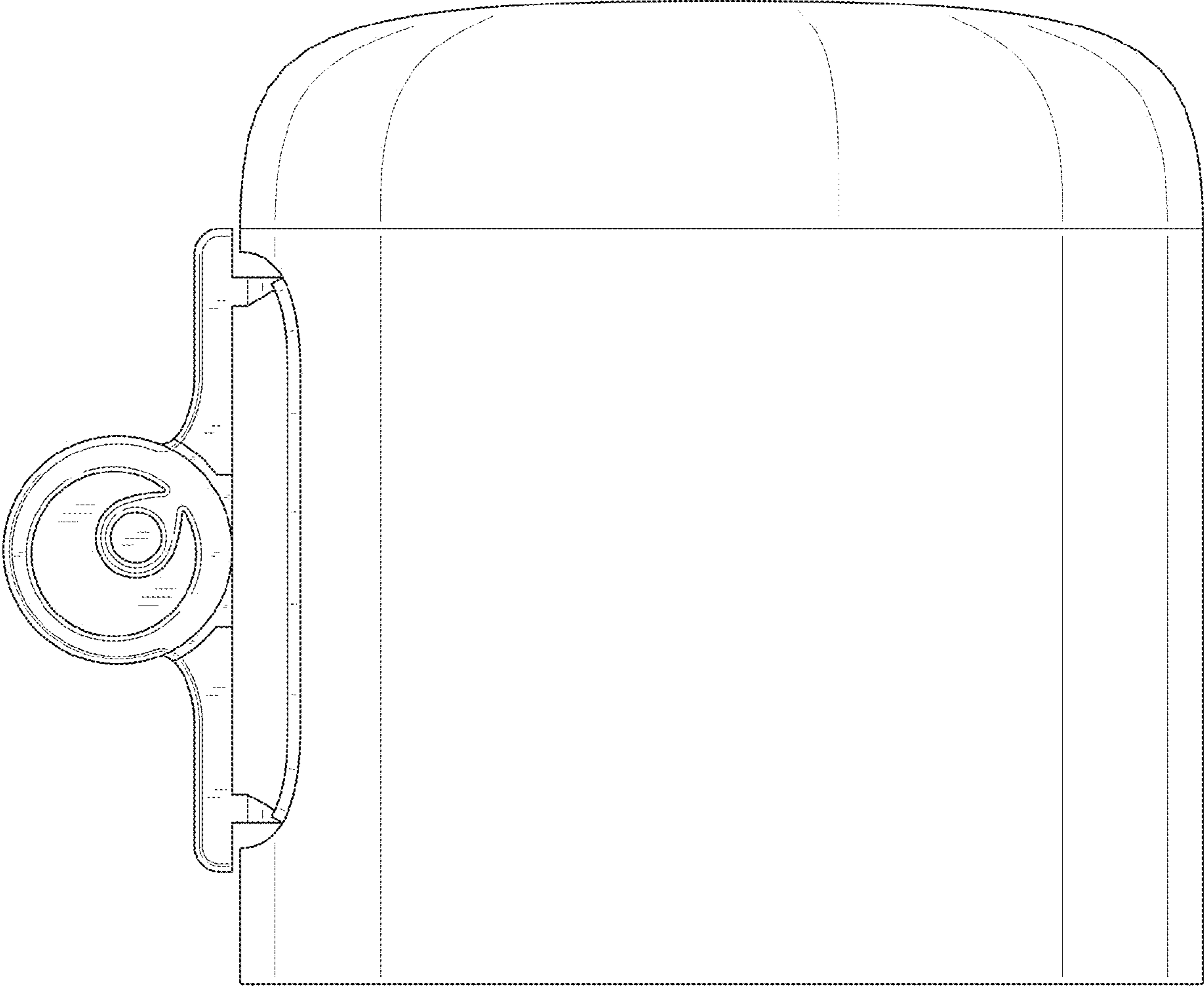


FIG. 5

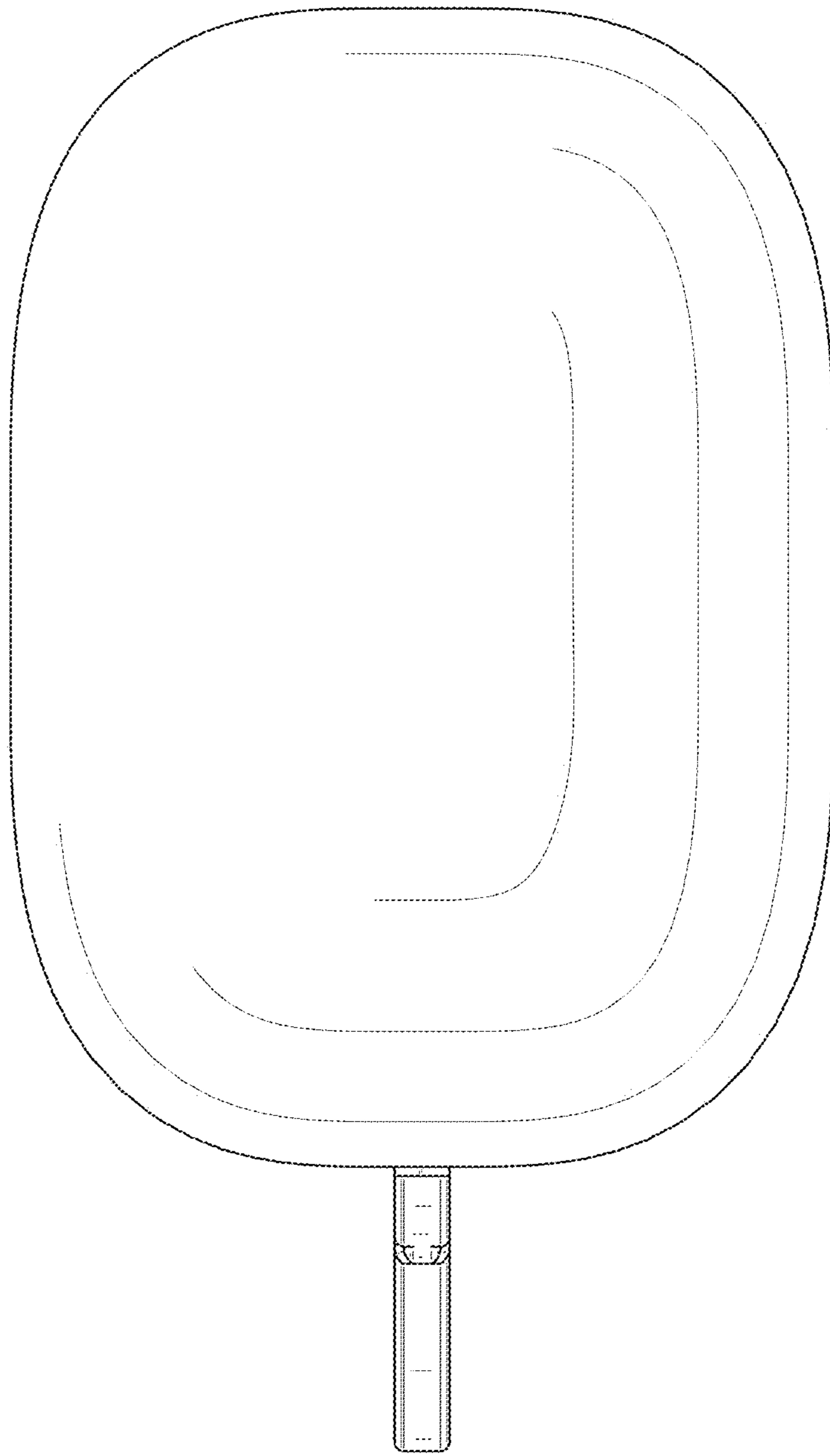


FIG. 6

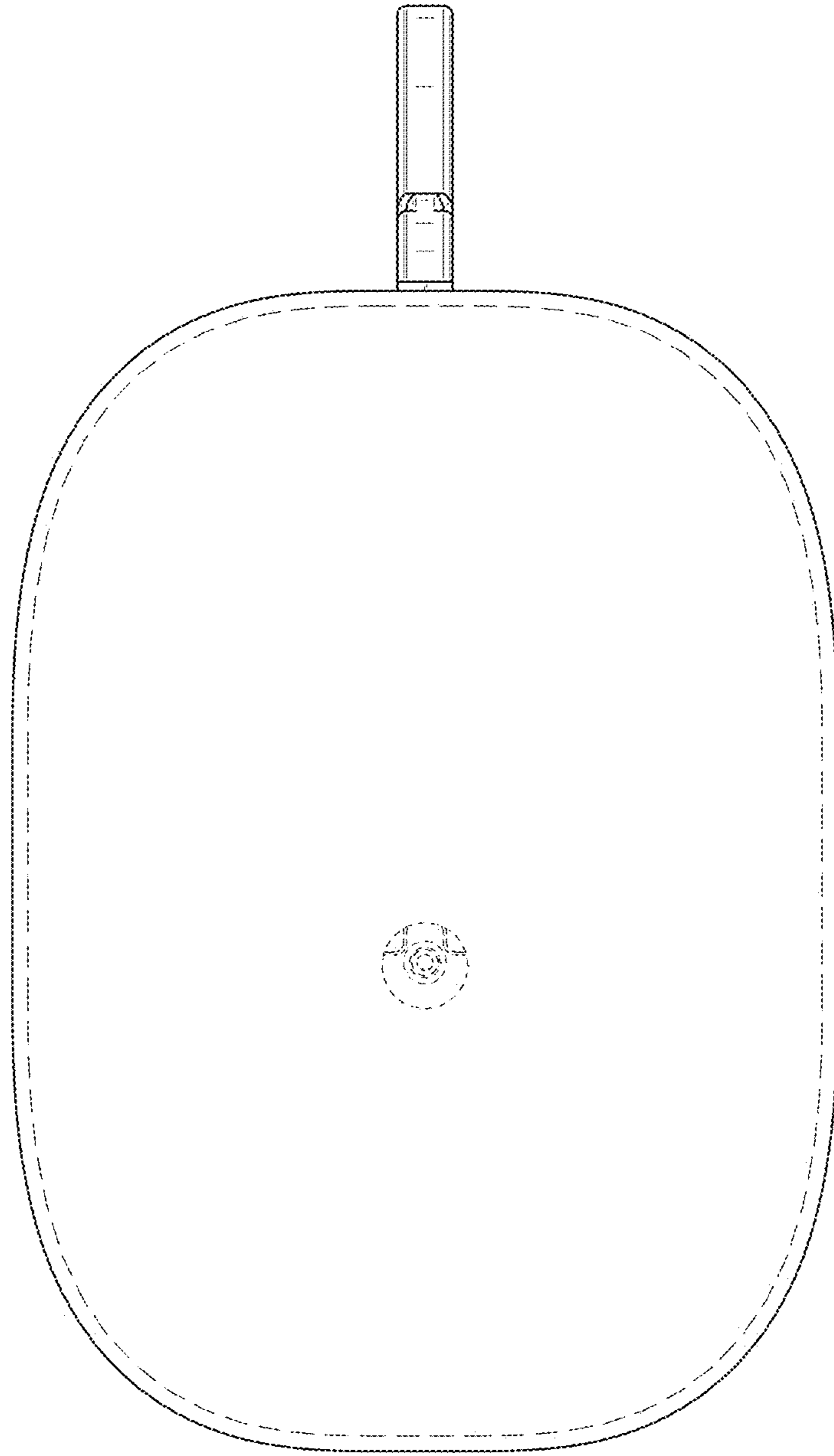


FIG. 7