



US00D974200S

(12) **United States Design Patent** (10) **Patent No.:** **US D974,200 S**
Wu (45) **Date of Patent:** **** Jan. 3, 2023**

(54) **MULTIMETER**

FOREIGN PATENT DOCUMENTS

(71) Applicant: **Plusivo Limited**, Hong Kong (HK)

CN 304296770 * 9/2017
CN 304534966 * 9/2017

(72) Inventor: **Daran Wu**, Xinyi (CN)

(Continued)

(**) Term: **15 Years**

OTHER PUBLICATIONS

(21) Appl. No.: **29/806,284**

Mastfuyi, Digital Multimeter, Date first available Nov. 19, 2021, [online] retrieved Sep. 6, 2022, available from https://www.amazon.com/Multimeter-Contactless-Auto-Ranging-Resistance-Continuity/dp/B09M8641Y7/ref=asc_df_B09M8641Y7/?tag=hyprod-20&linkCode=df0&hvadid=563646982761&hvpos=&hvnetw=g&hvrand=55495 (Year: 2021).*

(22) Filed: **Sep. 2, 2021**

(Continued)

(51) **LOC (14) Cl.** **10-04**

(52) **U.S. Cl.**
USPC **D10/78**; D10/80

(58) **Field of Classification Search**
USPC D10/75-80, 96-101, 83, 87-93
CPC G01R 1/38; G01R 1/04; G01R 15/002;
G01R 15/12; G01R 1/22; G01R 19/2503;
H02J 7/00; H02J 7/0029; H02J 7/0042;
H05K 5/0026; H01H 13/70; G06F
1/1613; G06F 2213/0042; G07C 5/0808;
G07C 5/008; G07C 2205/02

Primary Examiner — Keli L Hill
Assistant Examiner — Sara S Sahneh

(57) **CLAIM**

The ornamental design for a multimeter, as shown and described.

See application file for complete search history.

DESCRIPTION

(56) **References Cited**

U.S. PATENT DOCUMENTS

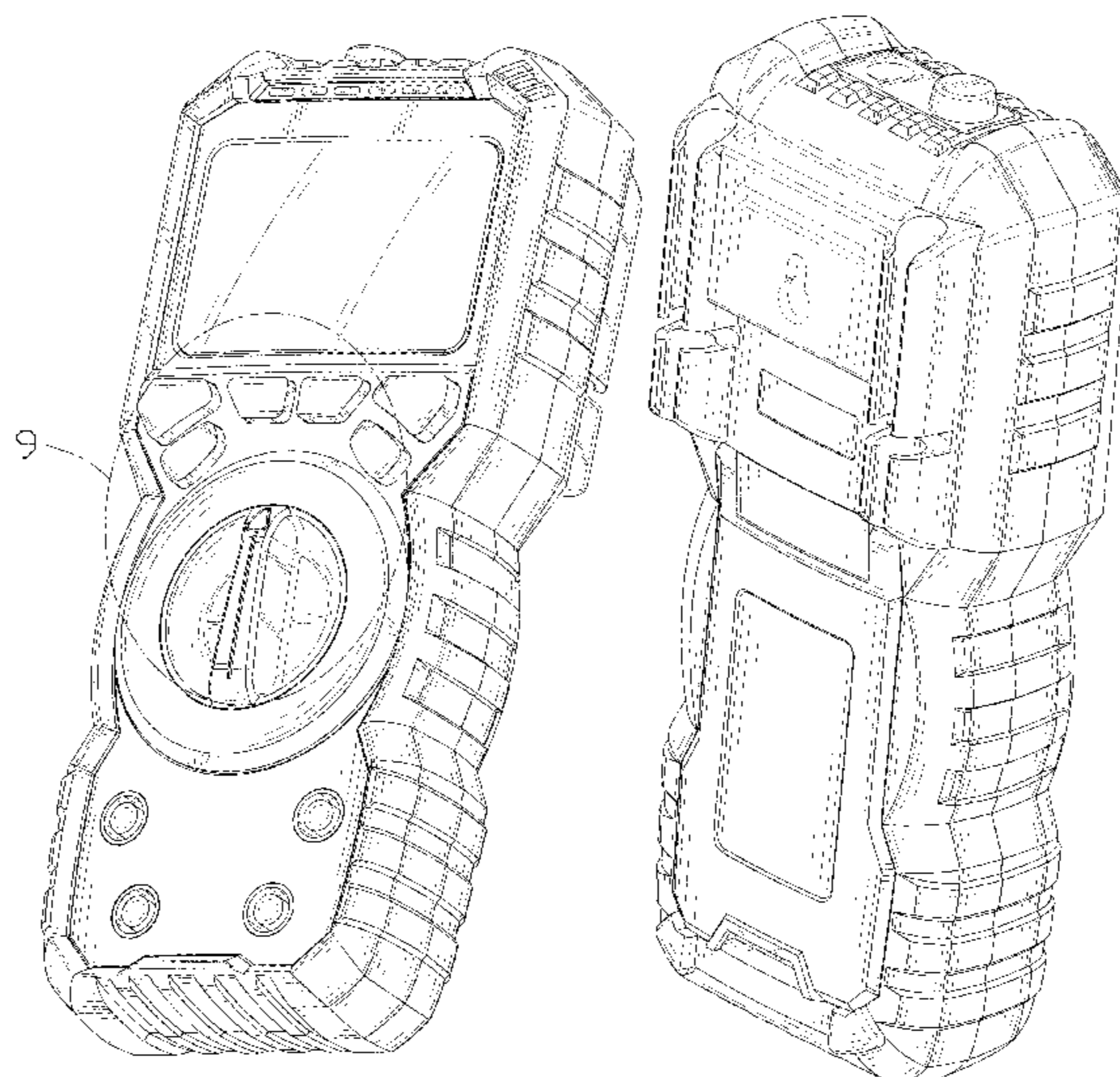
D365,031 S *	12/1995	Kim	D10/78
D705,681 S *	5/2014	Morishita	D10/78
D713,275 S *	9/2014	Zhenmei	D10/80
D766,117 S *	9/2016	Wong	D10/78
D787,350 S *	5/2017	Corrigan	D10/78
D811,250 S *	2/2018	Shen	D10/80
D837,076 S *	1/2019	Fu	D10/78
D842,146 S *	3/2019	Li	D10/78
D853,258 S *	7/2019	Xiaohong	D10/78
D895,460 S	9/2020	Li		
2004/0130330 A1 *	7/2004	Arnoux	G01R 15/125 324/555
2011/0026196 A1 *	2/2011	Laurino	G01R 1/04 361/679.01
2011/0069961 A1 *	3/2011	Hudson	H04B 10/11 398/115

FIG. 1 is a front and top perspective view of a multimeter, showing, my new design;
FIG. 2 is a rear and bottom perspective view thereof;
FIG. 3 is a front elevation view thereof;
FIG. 4 is a rear elevation view thereof;
FIG. 5 is a left side elevation view thereof;
FIG. 6 is a right side elevation view thereof;
FIG. 7 is a top plan view thereof;
FIG. 8 is a bottom plan view thereof; and,
FIG. 9 is an enlarged view of a portion indicated with numeric 9 in FIG. 1.

The broken lines in the figures illustrate portions of the multimeter that form no part of the claimed design. The dash dot dash lines in FIGS. 1 and 9 are for the purpose of depicting the boundary lines of the enlarged view and form no part of the claimed design.

(Continued)

1 Claim, 9 Drawing Sheets



(56)

References Cited

U.S. PATENT DOCUMENTS

2018/0108502 A1* 4/2018 Tan H02J 7/00

FOREIGN PATENT DOCUMENTS

CN	306104127	*	5/2020
CN	306962628	*	11/2021
CN	307291753	*	1/2022
CN	307495115	*	4/2022
EM	001394936-0003	*	12/2013

OTHER PUBLICATIONS

KAIWEETS Store, Digital Multimeter, Date first available Jul. 14, 2020, [online]retrieved Sep. 6, 2022, available from https://www.amazon.com/dp/B08CX9W7G3/ref=sspa_dk_detail_1?psc=1&pd_rd_i=B08CX9W7G3&pd_rd_w=1USar&content-id=amzn1.sym.3481f441-61ac-4028-9c1a-7f9ce8ec50c5&pf_rd_p=3481f441-61ac-4028-9c1a-7f9 (Year: 2020).*

Ruoshui Store, Digital Multimeter, Date first available Aug. 16, 2020, [online]retrieved Sep. 6, 2022, available from https://www.amazon.com/dp/B08BYF5BJ5/ref=sspa_dk_detail_3?psc=1&pf_rd_p=3481f441-61ac-4028-9c1a-7f9ce8ec50c5&pf_rd_r=RMN8DEXH25YK6WCT7K2J&pd_rd_wg=rrkTn&pd_rd_w=1USar&content-id=amzn1.sym (Year: 2020).*

Bside, EBTN LCD Multimeter, Date first available Apr. 8, 2019, [online]retrieved Sep. 6, 2022, available from https://www.amazon.com/dp/B07Q283GM2/ref=sspa_dk_detail_6?psc=1&pf_rd_p=3481f441-61ac-4028-9c1a-7f9ce8ec50c5&pf_rd_r=RMN8DEXH25YK6WCT7K2J&pd_rd_wg=rrkTn&pd_rd_w=1USar&content-id=amzn1.sym.3481f441- (Year: 2019).*

* cited by examiner

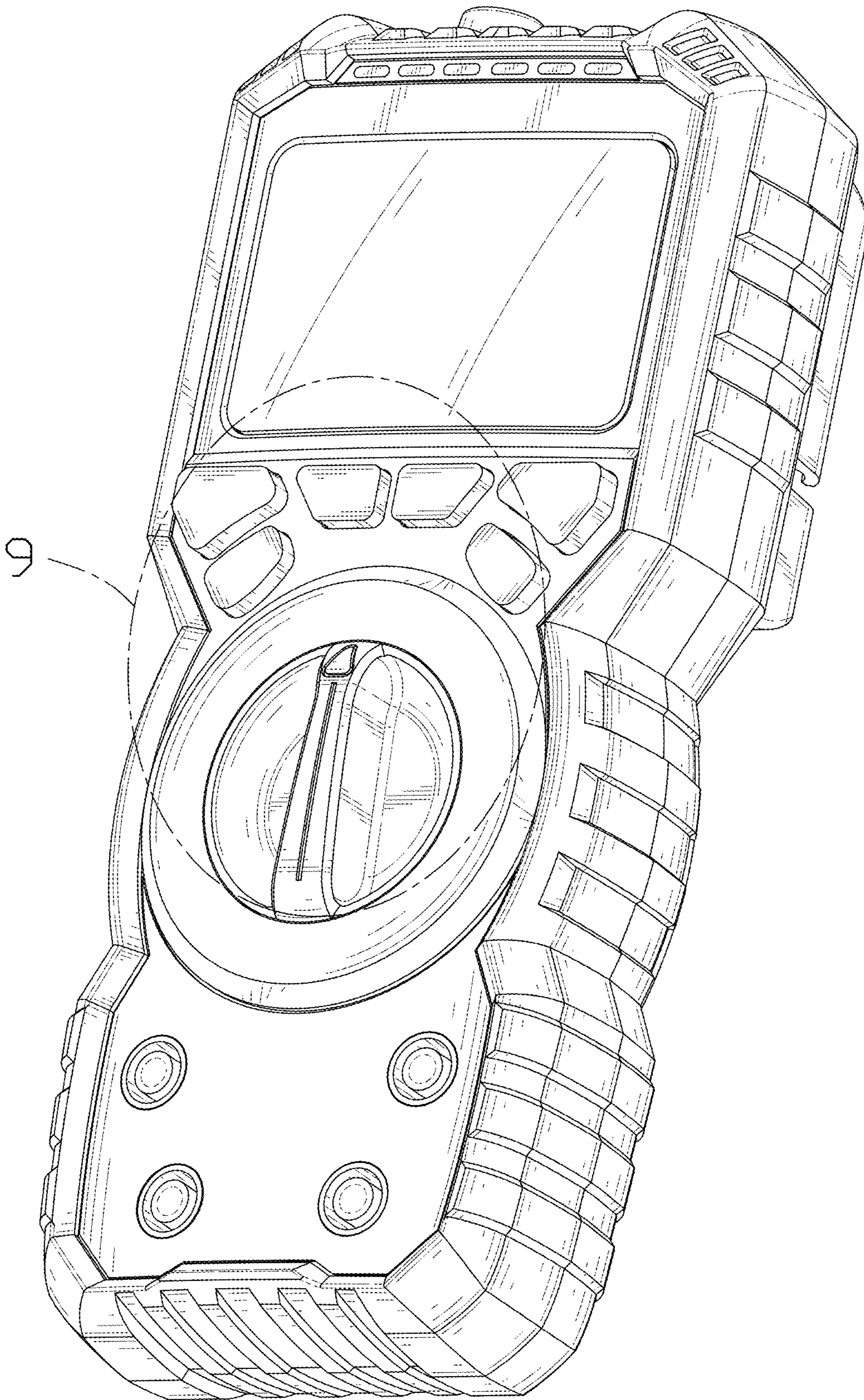


FIG. 1

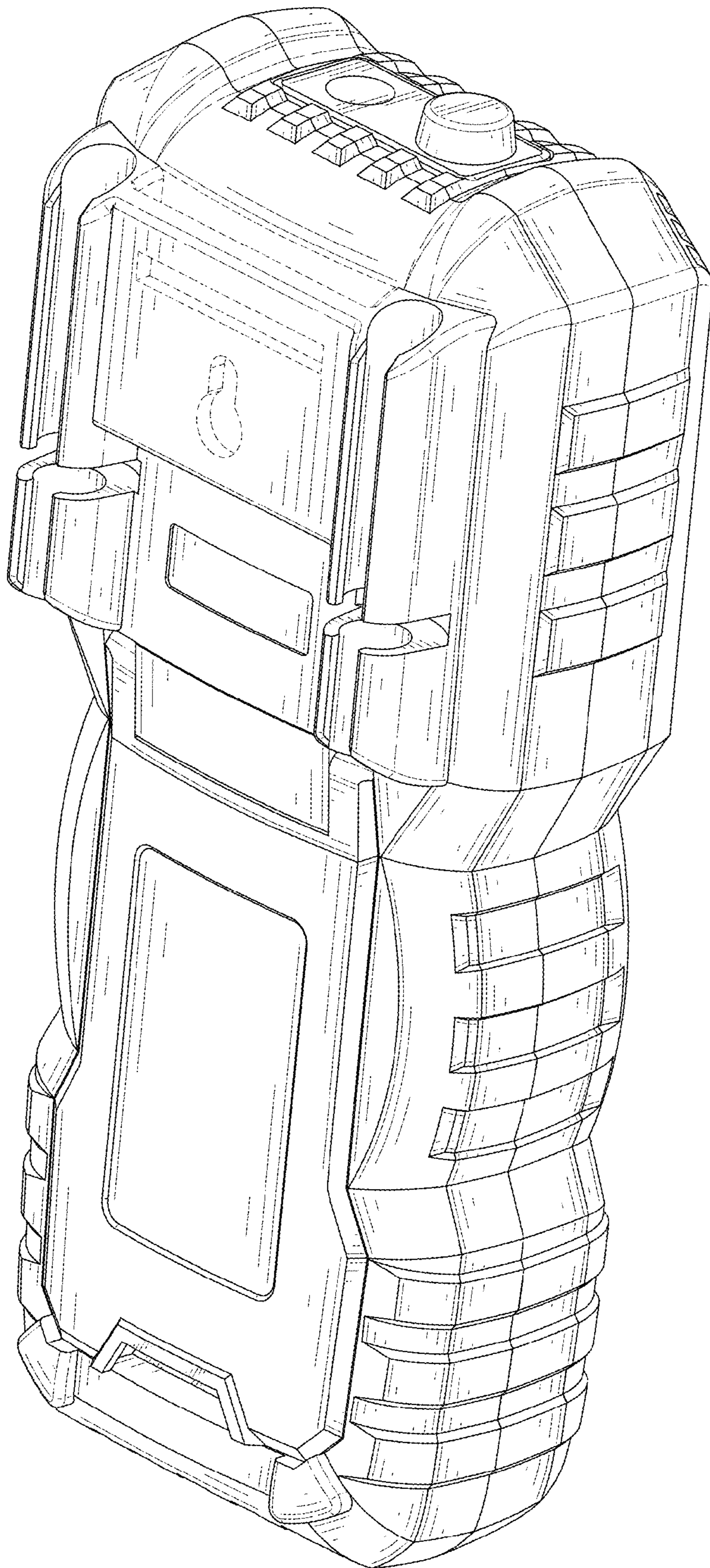


FIG. 2

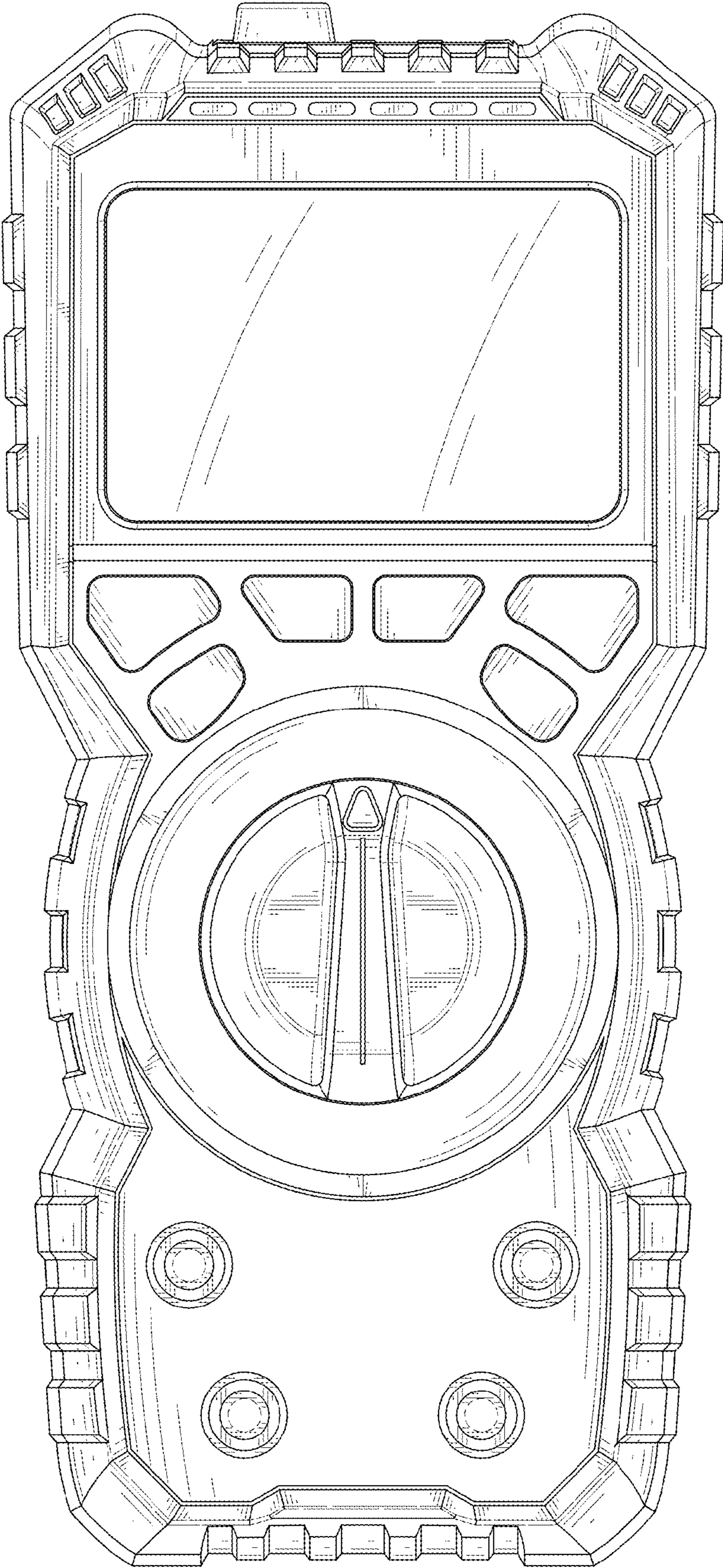


FIG. 3

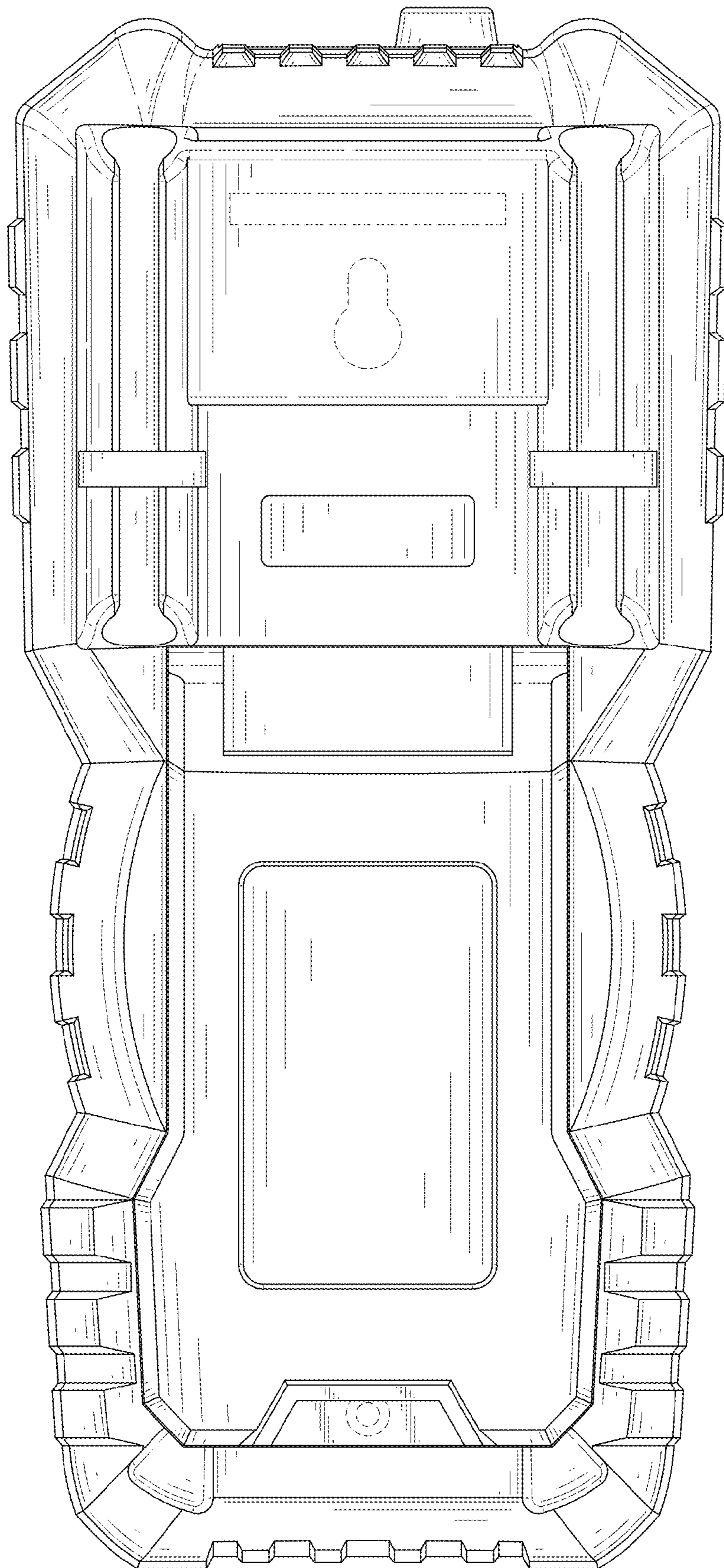


FIG. 4

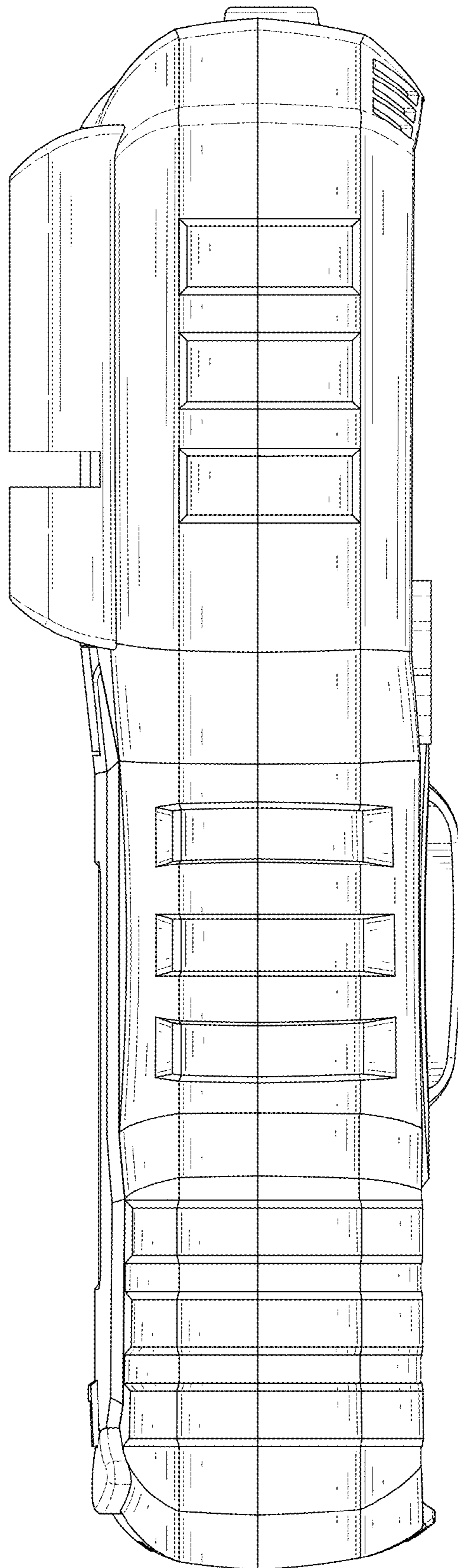


FIG. 5

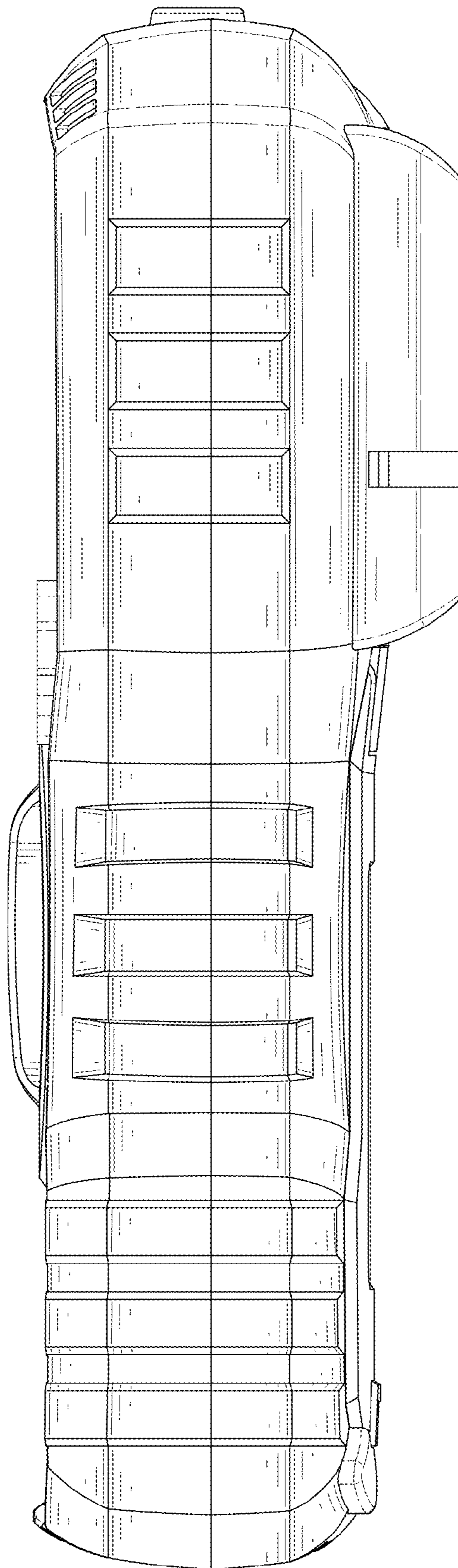


FIG. 6

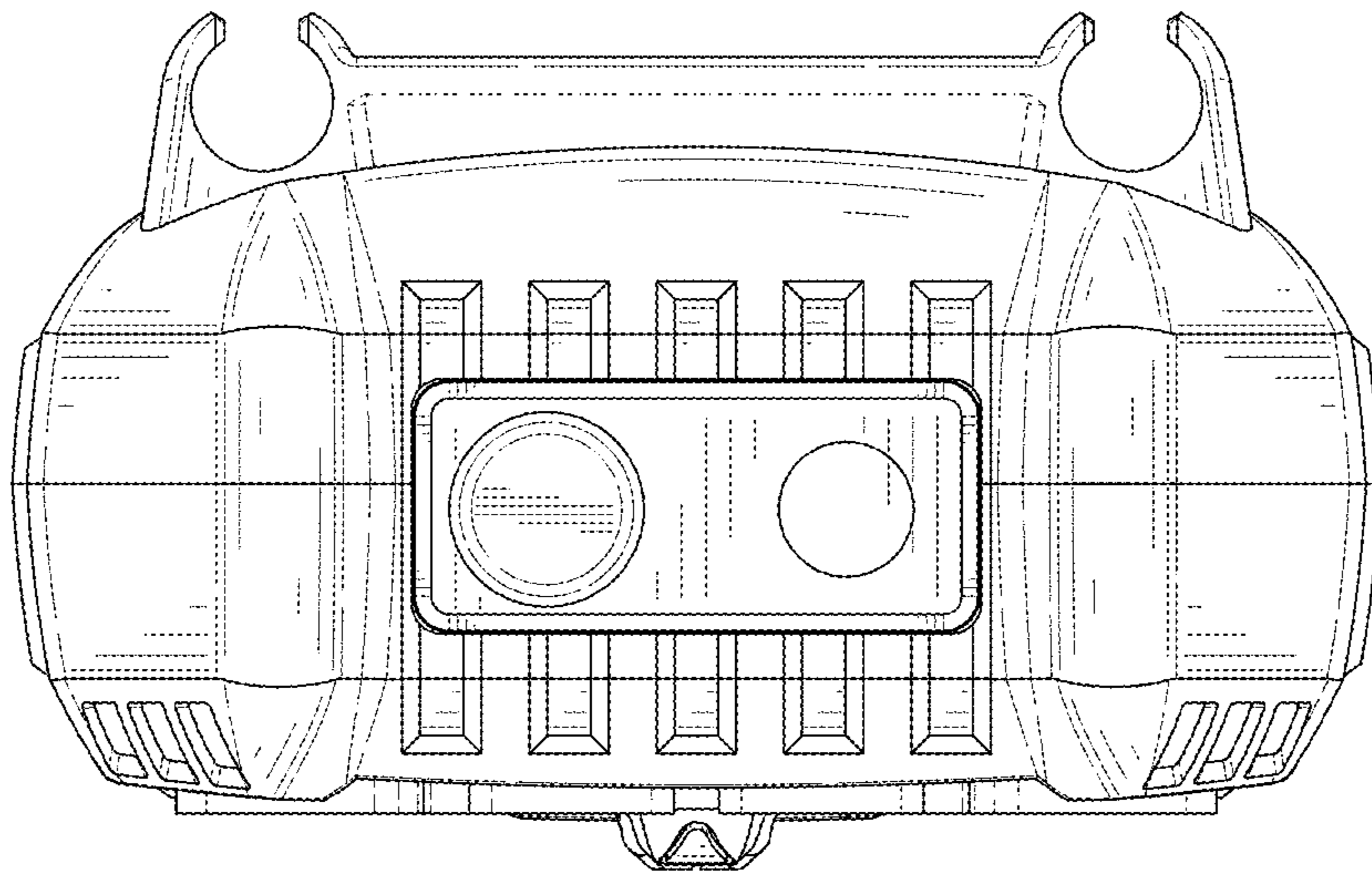


FIG. 7

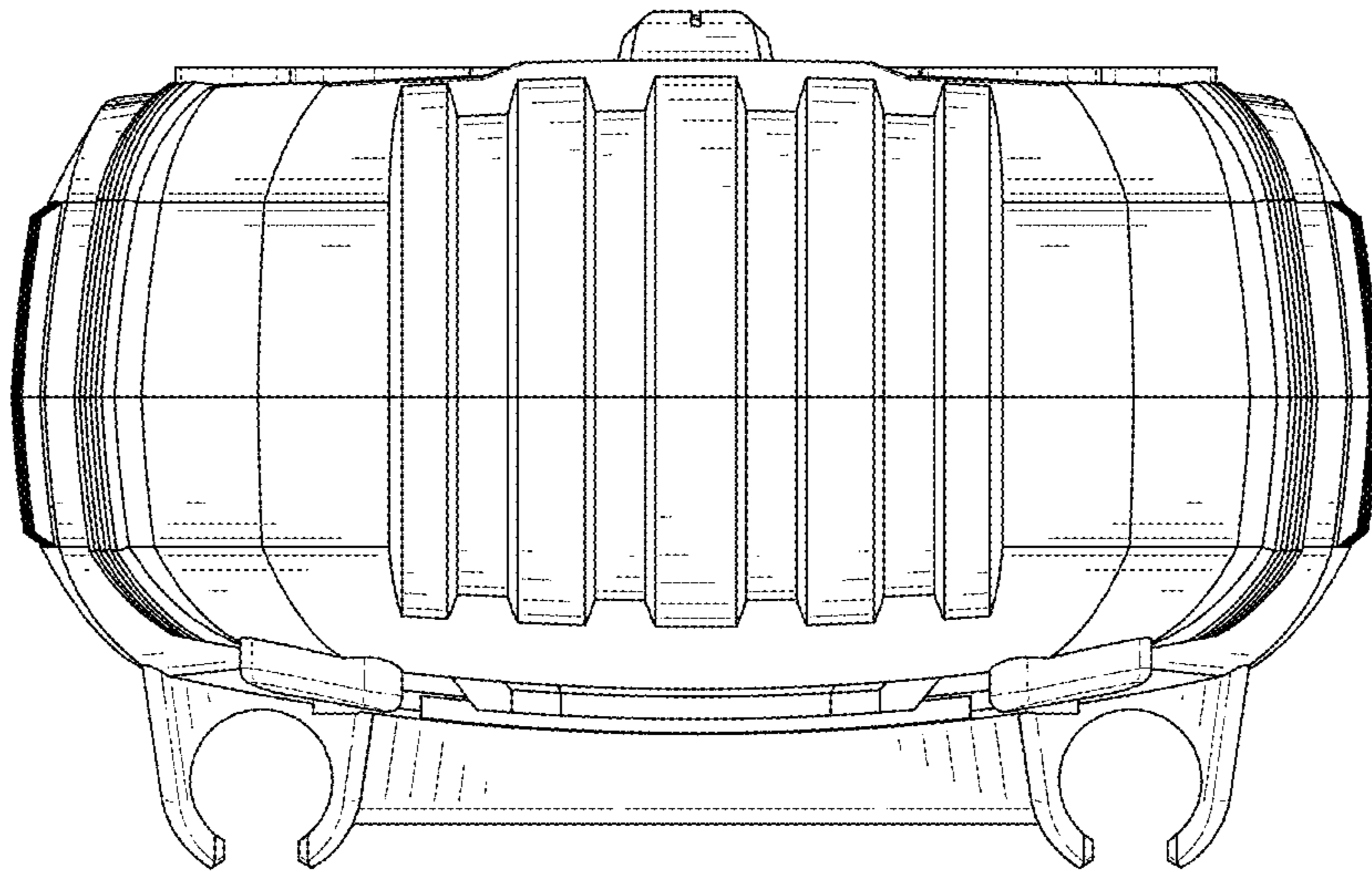


FIG. 8

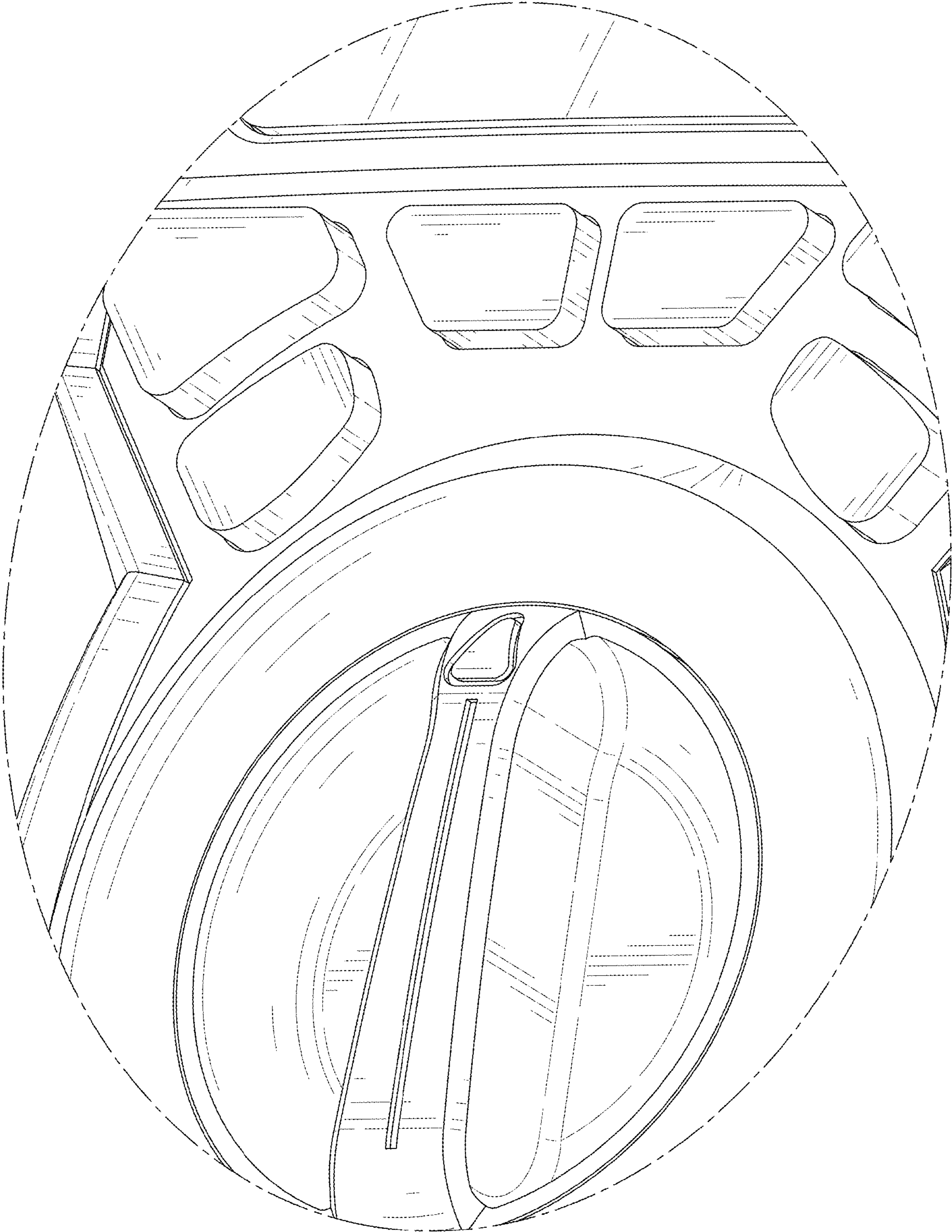


FIG. 9