



US00D974199S

(12) **United States Design Patent** (10) **Patent No.:** **US D974,199 S**
Anderson et al. (45) **Date of Patent:** **** Jan. 3, 2023**

(54) **TAPE MEASURE**
(71) Applicant: **Milwaukee Electric Tool Corporation,**
Brookfield, WI (US)
(72) Inventors: **Kyle C. Anderson,** Wauwatosa, WI
(US); **Grant T. Squiers,** Cudahy, WI
(US)
(73) Assignee: **Milwaukee Electric Tool Corporation,**
Brookfield, WI (US)

2,424,046 A 7/1947 Moore et al.
2,440,571 A 4/1948 Bow
2,497,471 A 2/1950 Shillman
2,504,563 A 4/1950 Menke
2,505,653 A 4/1950 Shillman
2,662,700 A 12/1953 Higgins
2,779,045 A 1/1957 Harvey
2,906,471 A 9/1959 Huff

(Continued)

(**) Term: **15 Years**

(21) Appl. No.: **29/754,953**

(22) Filed: **Oct. 15, 2020**

Related U.S. Application Data

(62) Division of application No. 29/673,926, filed on Dec. 18, 2018, now Pat. No. Des. 902,060.

(51) **LOC (14) Cl.** **10-04**

(52) **U.S. Cl.**
USPC **D10/72**

(58) **Field of Classification Search**
USPC D10/72
CPC G01C 15/10; B44D 3/38
See application file for complete search history.

(56) **References Cited**

U.S. PATENT DOCUMENTS

1,485,634 A 3/1924 Shillman
1,703,703 A 2/1929 Anderson
1,987,264 A 1/1935 McMahan
2,035,379 A 3/1936 Stewart
2,051,669 A 8/1936 Zevely et al.
2,099,153 A 11/1937 Walker
2,150,086 A 3/1939 Truman
2,157,024 A 5/1939 Smith
2,201,517 A 5/1940 Bow

FOREIGN PATENT DOCUMENTS

EP 2276404 10/2011
WO WO199941181 8/1999

(Continued)

Primary Examiner — Antoine Duval Davis

(74) *Attorney, Agent, or Firm* — Reinhart Boerner Van Deuren s.c.

(57) **CLAIM**

We claim the ornamental design for a tape measure, as shown and described.

DESCRIPTION

FIG. 1 is a perspective view from below of the claimed design;

FIG. 2 is a top view of the claimed design of FIG. 1;

FIG. 3 is a bottom view of the claimed design of FIG. 1;

FIG. 4 is a right side view of the claimed design of FIG. 1;

FIG. 5 is a left side view of the claimed design of FIG. 1;

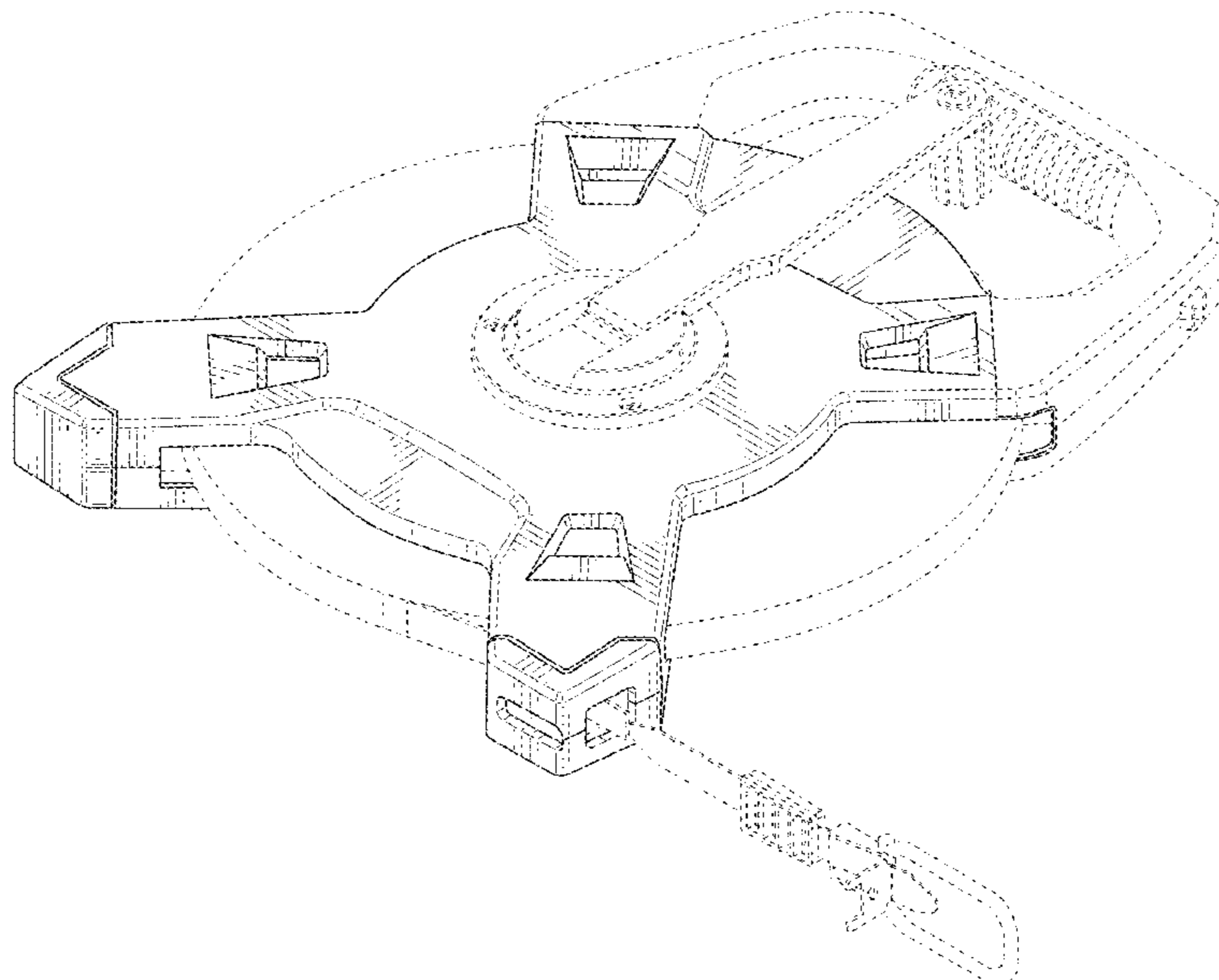
FIG. 6 is a front side view of the claimed design of FIG. 1;

and,

FIG. 7 is a rear view of the claimed design of FIG. 1.

The ornamental design which is claimed is shown in solid lines in the drawings. The broken dot-dash lines define boundaries of the claimed design and form no part thereof. The other broken lines in the drawings are for illustrative purposes only and form no part of the claimed design.

1 Claim, 5 Drawing Sheets



(56)

References Cited

U.S. PATENT DOCUMENTS

3,731,389 A 5/1973 King
 4,189,107 A * 2/1980 Quenot G01B 3/1005
 242/390.1
 4,521,934 A 6/1985 Castle
 4,583,294 A 4/1986 Hutchins et al.
 4,852,822 A 8/1989 Brady
 5,056,180 A 10/1991 Stanton
 5,448,837 A 9/1995 Han-Teng
 5,588,220 A 12/1996 Cousins
 5,743,478 A 4/1998 Plestan
 5,938,140 A 8/1999 Fundak
 D418,765 S * 1/2000 Martone D10/72
 D430,047 S * 8/2000 Martone G01B 3/1005
 D10/72
 6,175,470 B1 1/2001 Stamm
 6,227,475 B1 5/2001 McAllister et al.
 6,308,432 B1 10/2001 Gillian et al.
 6,996,915 B2 2/2006 Ricalde
 D571,679 S * 6/2008 McEwan D10/72
 D572,614 S * 7/2008 McEwan D10/72
 7,415,777 B2 8/2008 Campbell et al.
 D581,820 S * 12/2008 McEwan D10/72

7,584,549 B2 9/2009 Lee et al.
 7,987,887 B2 8/2011 Khor et al.
 8,468,710 B1 6/2013 Mos
 8,567,085 B2 10/2013 Roeske
 8,819,955 B2 9/2014 Chapin et al.
 8,898,922 B2 12/2014 Bridges et al.
 9,080,849 B2 7/2015 Steele et al.
 9,815,320 B2 11/2017 Khangar
 D850,950 S * 6/2019 Cook D10/72
 D902,060 S * 11/2020 Anderson D10/72
 2004/0088875 A1 5/2004 Lee et al.
 2008/0066333 A1 3/2008 Hernandez
 2012/0036727 A1 2/2012 McCarthy
 2012/0167403 A1 7/2012 Roeske
 2013/0276718 A1 10/2013 Valadez
 2016/0003602 A1 1/2016 Zelenack, Jr.
 2016/0096396 A1 4/2016 Khangar
 2016/0290776 A1 10/2016 Hoppe
 2020/0369073 A1 * 11/2020 Cemke, Jr. B44D 3/38

FOREIGN PATENT DOCUMENTS

WO WO2004031683 4/2004
 WO WO2005121694 12/2005

* cited by examiner

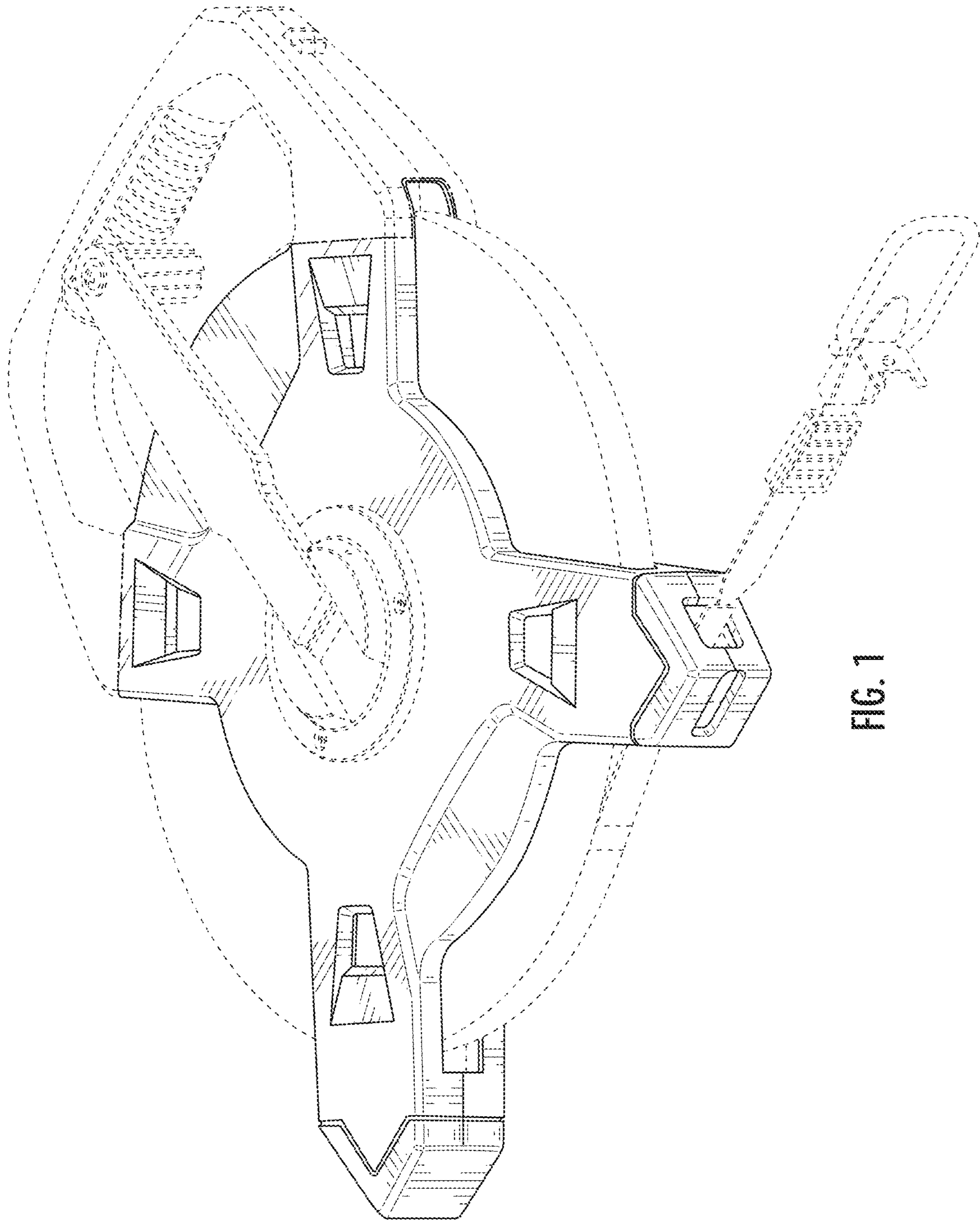


FIG. 1

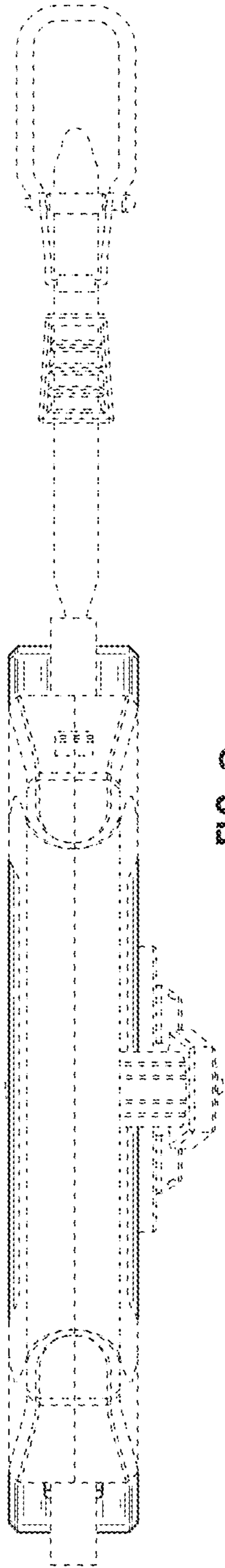


FIG. 2

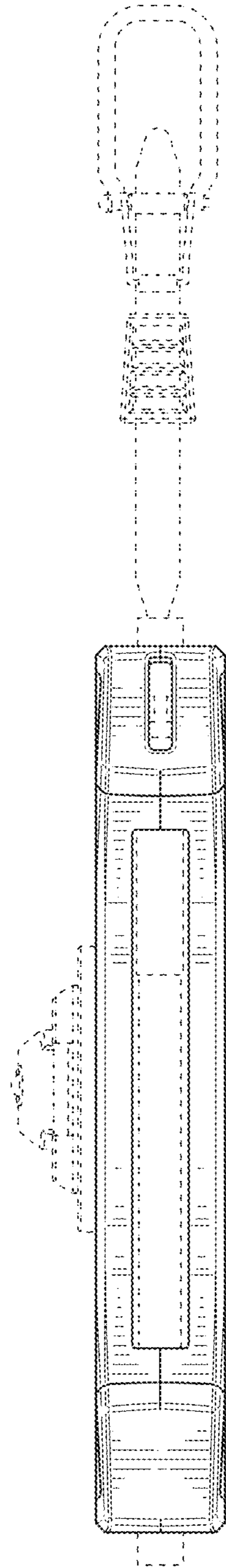


FIG. 3

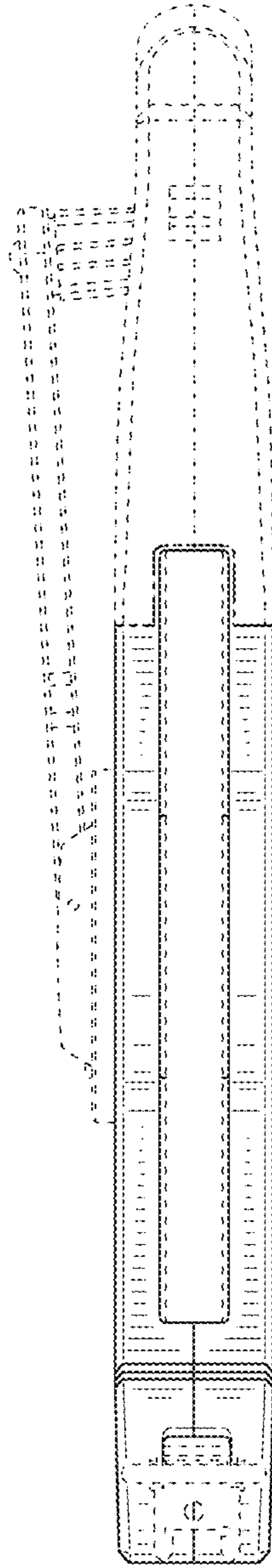


FIG. 4

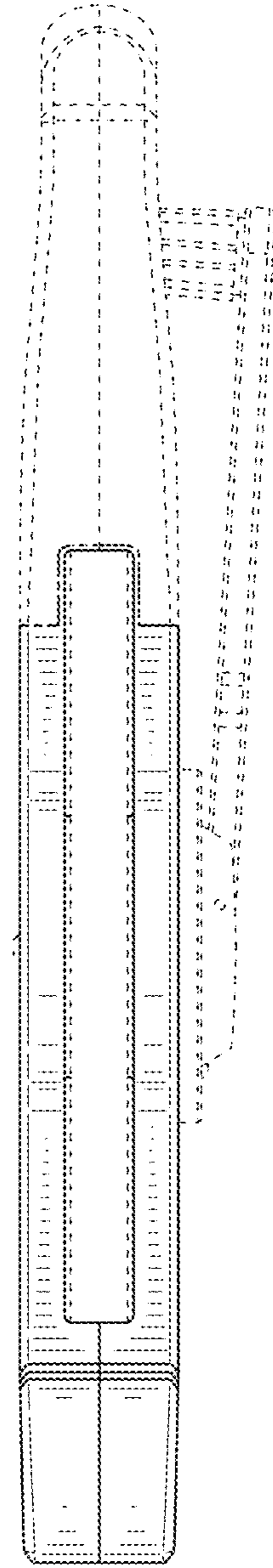


FIG. 5

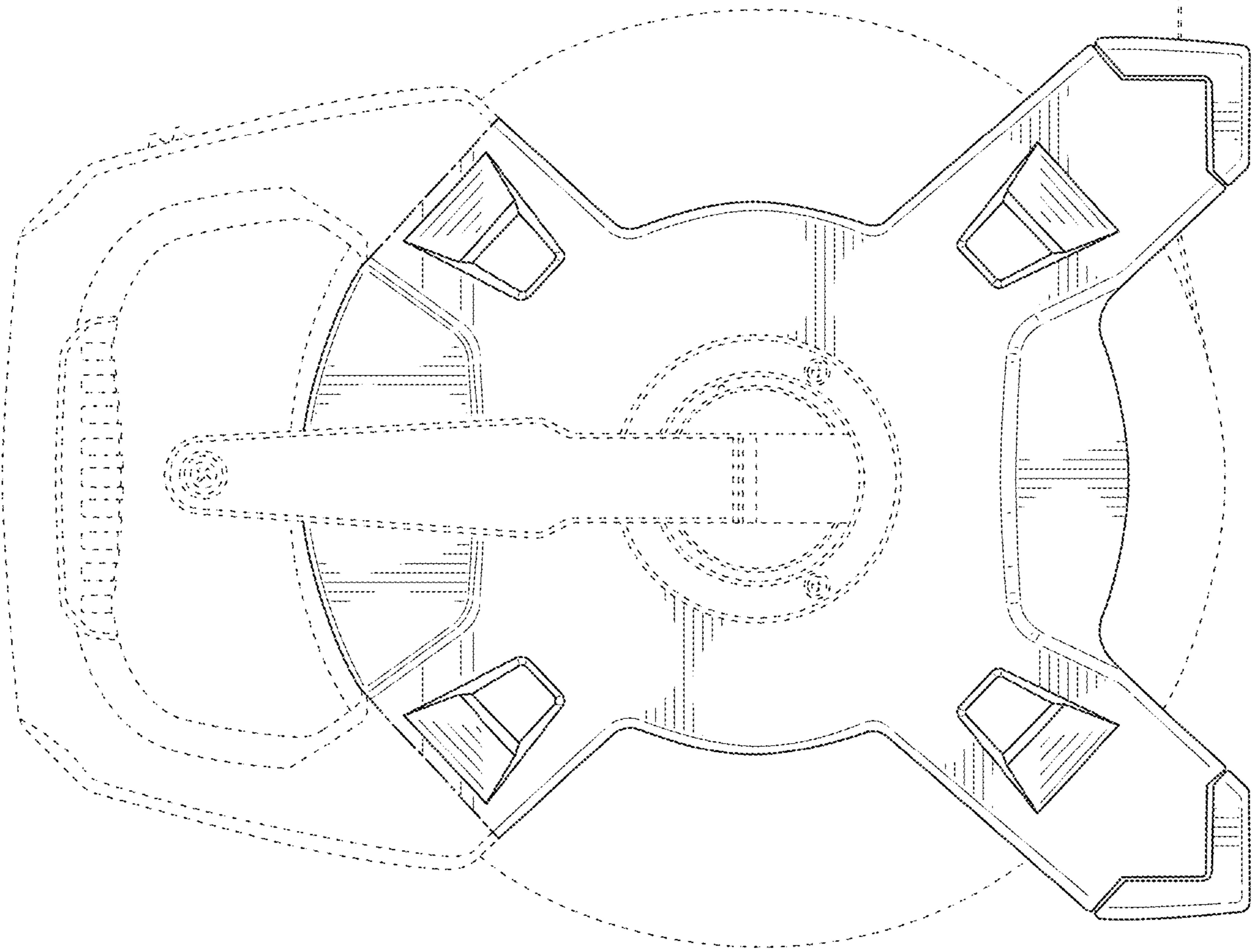


FIG. 6

