

US00D974198S

(12) **United States Design Patent**
Huang

(10) **Patent No.:** **US D974,198 S**

(45) **Date of Patent:** **** Jan. 3, 2023**

- (54) **YARN METER**
- (71) Applicant: **Weibiao Ryan Huang**, Chatsworth, CA (US)
- (72) Inventor: **Weibiao Ryan Huang**, Chatsworth, CA (US)
- (73) Assignee: **Stanwood Imports**, Chatsworth, CA (US)

3,177,708 A * 4/1965 Saxl B65H 59/40
73/862.472

D224,046 S * 6/1972 Evans, Jr. D10/70

3,879,999 A * 4/1975 Saxl G01L 5/06
73/862.471

4,065,963 A * 1/1978 Saxl G01L 5/06
73/862.472

4,171,640 A * 10/1979 van Mastrigt G01L 5/107
73/862.472

4,203,561 A * 5/1980 Stillings B65H 54/60
242/577.3

(Continued)

(**) Term: **15 Years**

(21) Appl. No.: **29/652,711**

(22) Filed: **Oct. 29, 2020**

(51) **LOC (14) Cl.** **10-04**

(52) **U.S. Cl.**
USPC **D10/70**

(58) **Field of Classification Search**
USPC D10/70, 60, 72, 69, 106.4; D15/78, 199
CPC B26D 1/12; Y10T 83/75; Y10T 83/8748;
Y10T 83/8789; B65H 49/30; B65H
2701/31; B65H 18/02; B65H 54/66;
B65H 75/406; B65H 54/60; B65G 75/24
See application file for complete search history.

(56) **References Cited**

U.S. PATENT DOCUMENTS

667,586 A * 2/1901 Scott G01B 3/11
33/756

1,155,236 A * 9/1915 Hobbie G01B 5/043
33/747

2,060,233 A * 11/1936 Mathey G01B 5/043
33/748

2,156,050 A * 4/1939 Brown B65H 54/66
242/395

2,185,327 A * 1/1940 Bell B65H 49/30
242/598.5

D136,953 S * 1/1944 Jantzen D10/70

2,591,724 A * 4/1952 Saxl G01N 3/062
73/862.472

OTHER PUBLICATIONS

Stanwood Needlecraft—Yarn Counter Meterage/Yardage Meter, publication date Aug. 17, 2020, (online) URL: <https://www.amazon.com/Stanwood-Needlecraft-Counter-Meterage-Yardage/dp/B08H52DD1M> (Year: 2020).*

Primary Examiner — George D. Kirschbaum
Assistant Examiner — Antoinette Martine Suiter
(74) *Attorney, Agent, or Firm* — Dunlap Bennett & Ludwig, PLLC; Anna L. Kinney

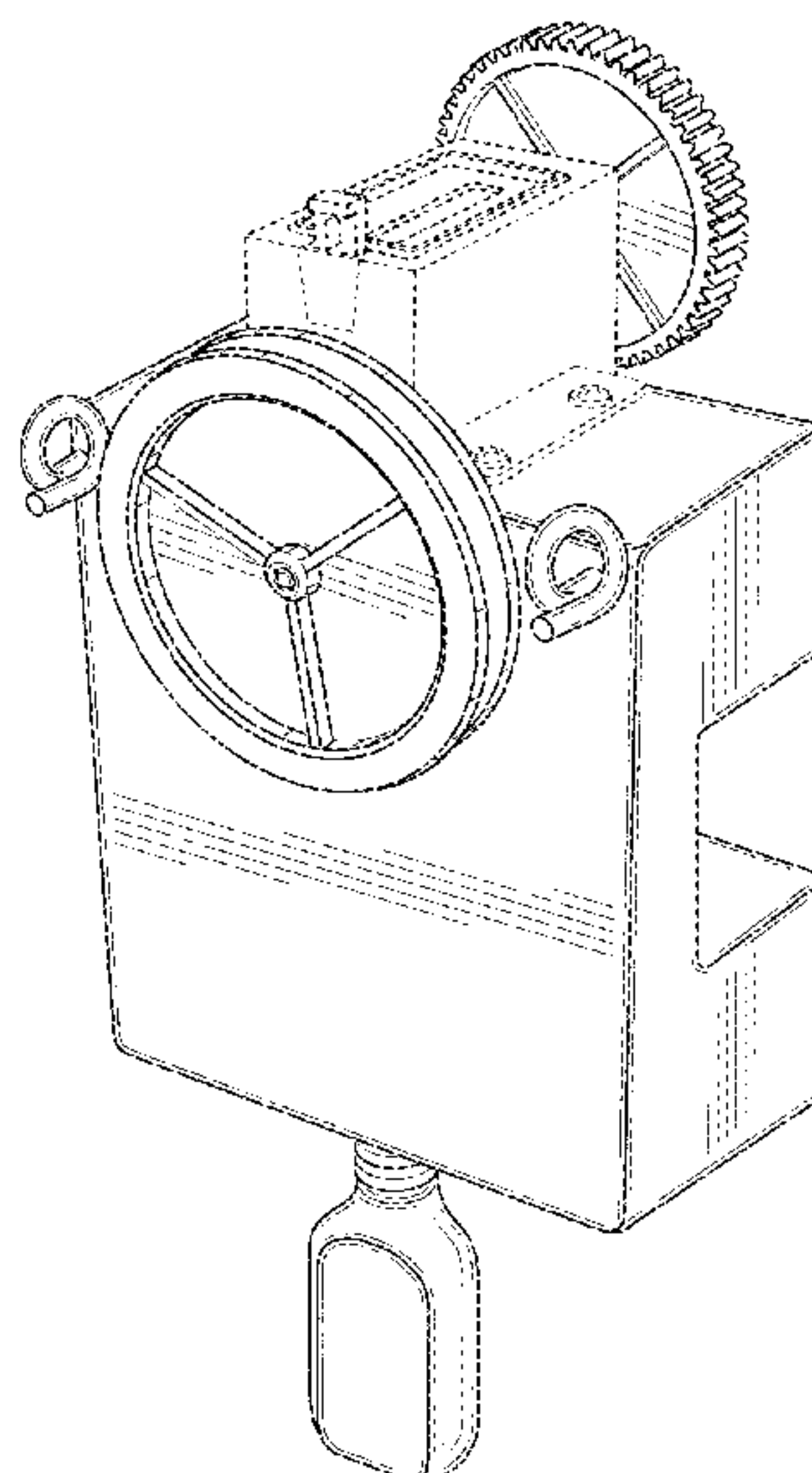
(57) **CLAIM**

The ornamental design for a yarn meter, as shown and described.

DESCRIPTION

FIG. 1 is a perspective view of a yarn meter showing my new design;
FIG. 2 is a front elevation view thereof;
FIG. 3 is a rear elevation view thereof;
FIG. 4 is a right elevation view thereof;
FIG. 5 is a left elevation view thereof;
FIG. 6 is a top plan view thereof; and,
FIG. 7 is a bottom plan view thereof.
The broken lines shown in the drawings depict environmental structure that forms no part of the claimed design.

1 Claim, 4 Drawing Sheets



(56)

References Cited

U.S. PATENT DOCUMENTS

4,362,062 A * 12/1982 Peterson G01L 5/06
73/862.472
4,577,512 A * 3/1986 Lowenheck B65H 59/40
73/431
D299,214 S * 1/1989 Kimura D10/70
D380,400 S * 7/1997 Peard D10/70
D437,796 S * 2/2001 Risi D10/70
D458,162 S * 6/2002 Wightman D10/70
D467,189 S * 12/2002 Stoneberg D10/70
D486,406 S * 2/2004 Critelli G01B 3/12
D10/70
D491,081 S * 6/2004 Olson D10/70
D498,153 S * 11/2004 Stevermer G01B 3/12
D10/70
D538,686 S * 3/2007 McGinn D10/70
D571,238 S * 6/2008 Stervermer D10/70
D749,003 S * 2/2016 Pollitt D10/72

* cited by examiner

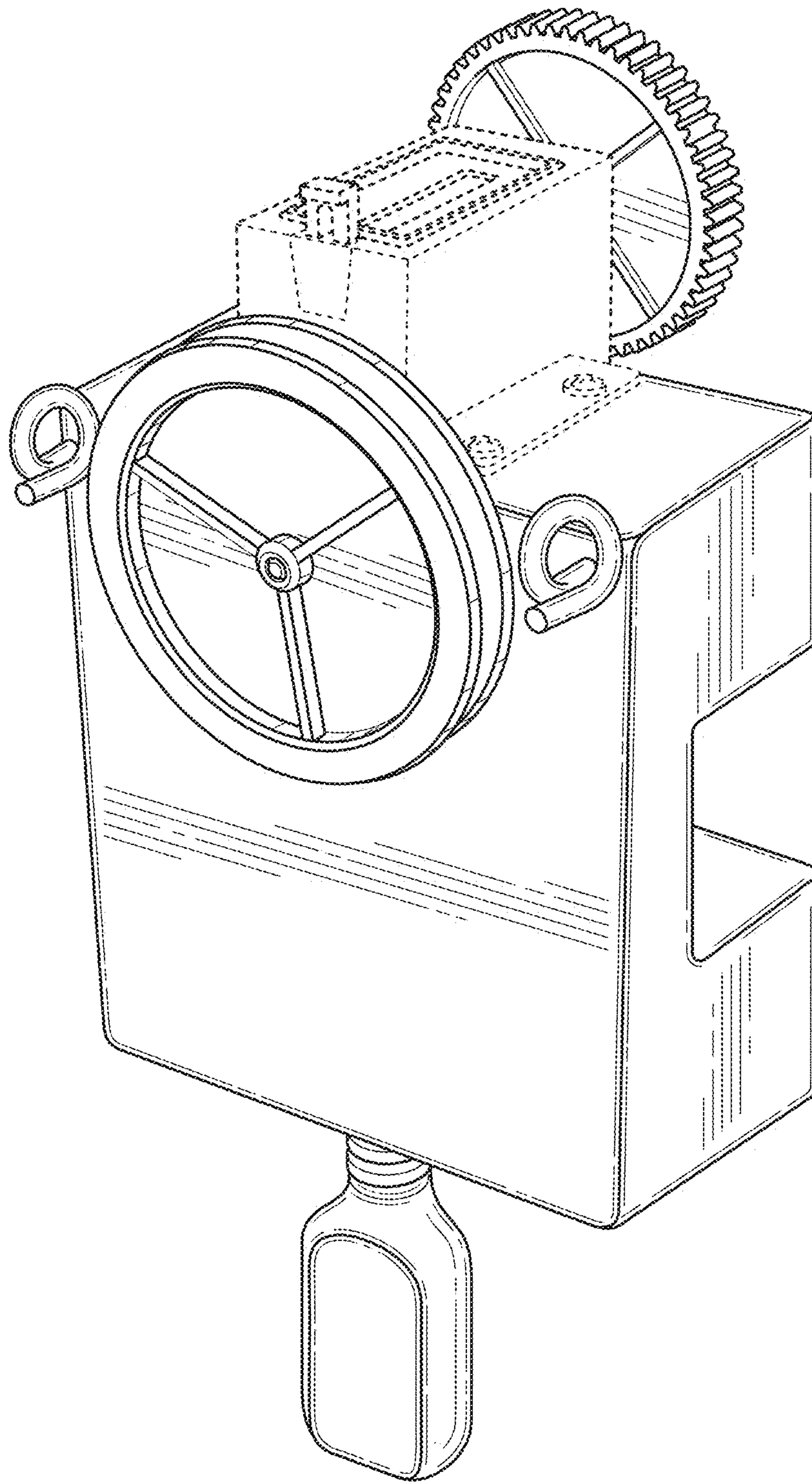


FIG. 1

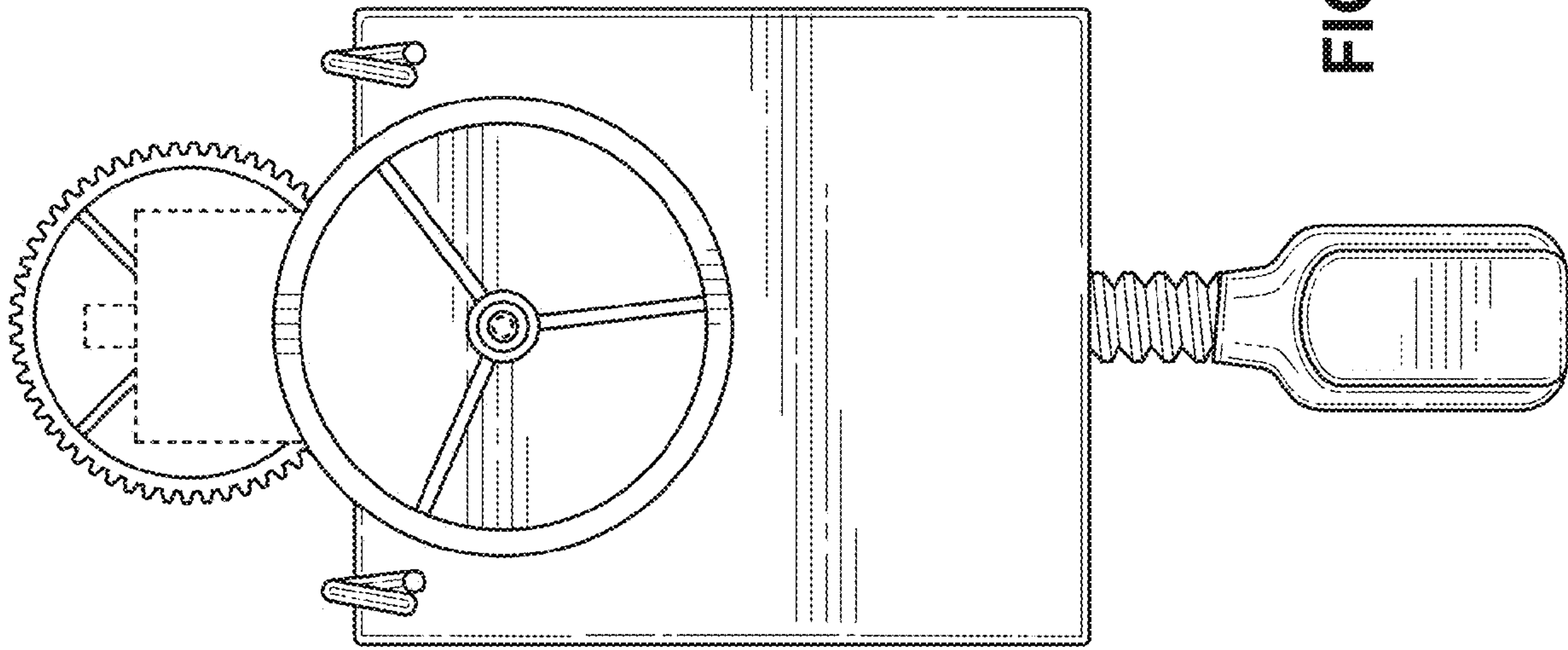


FIG. 3

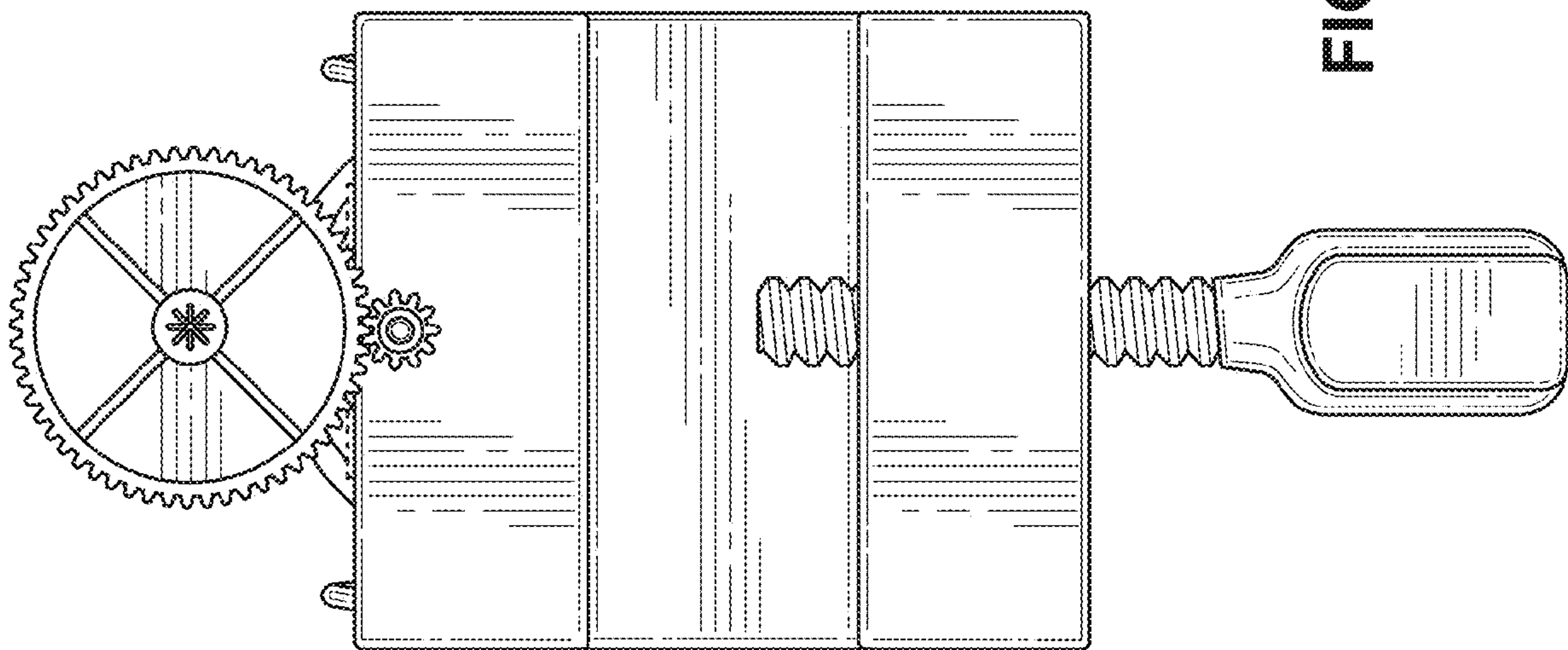


FIG. 2

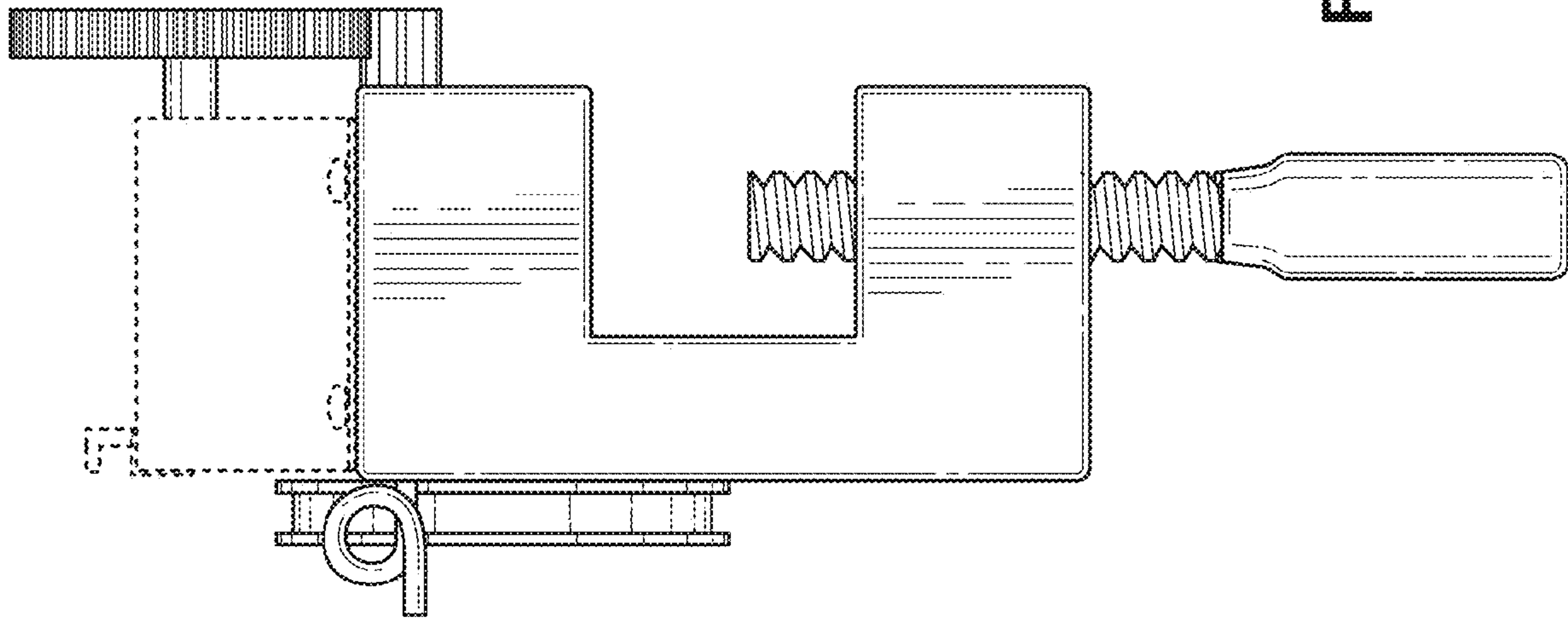


FIG. 5

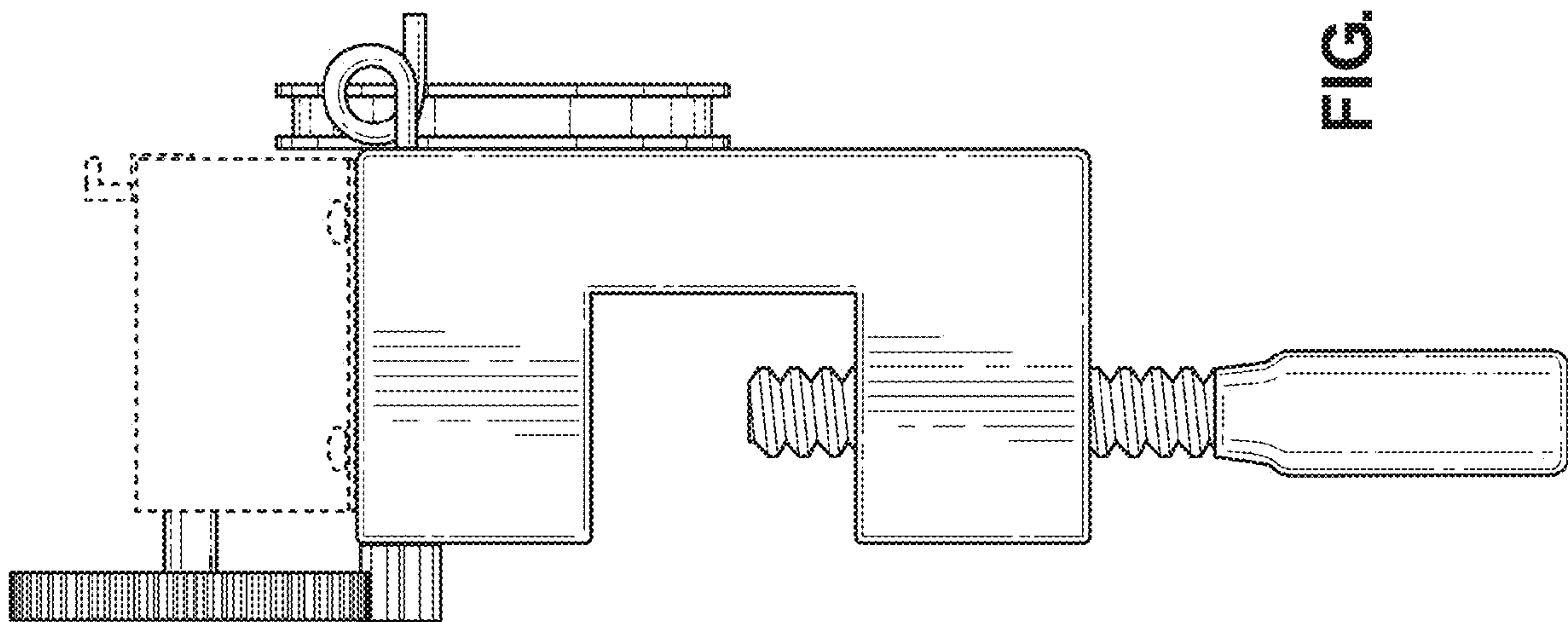


FIG. 4

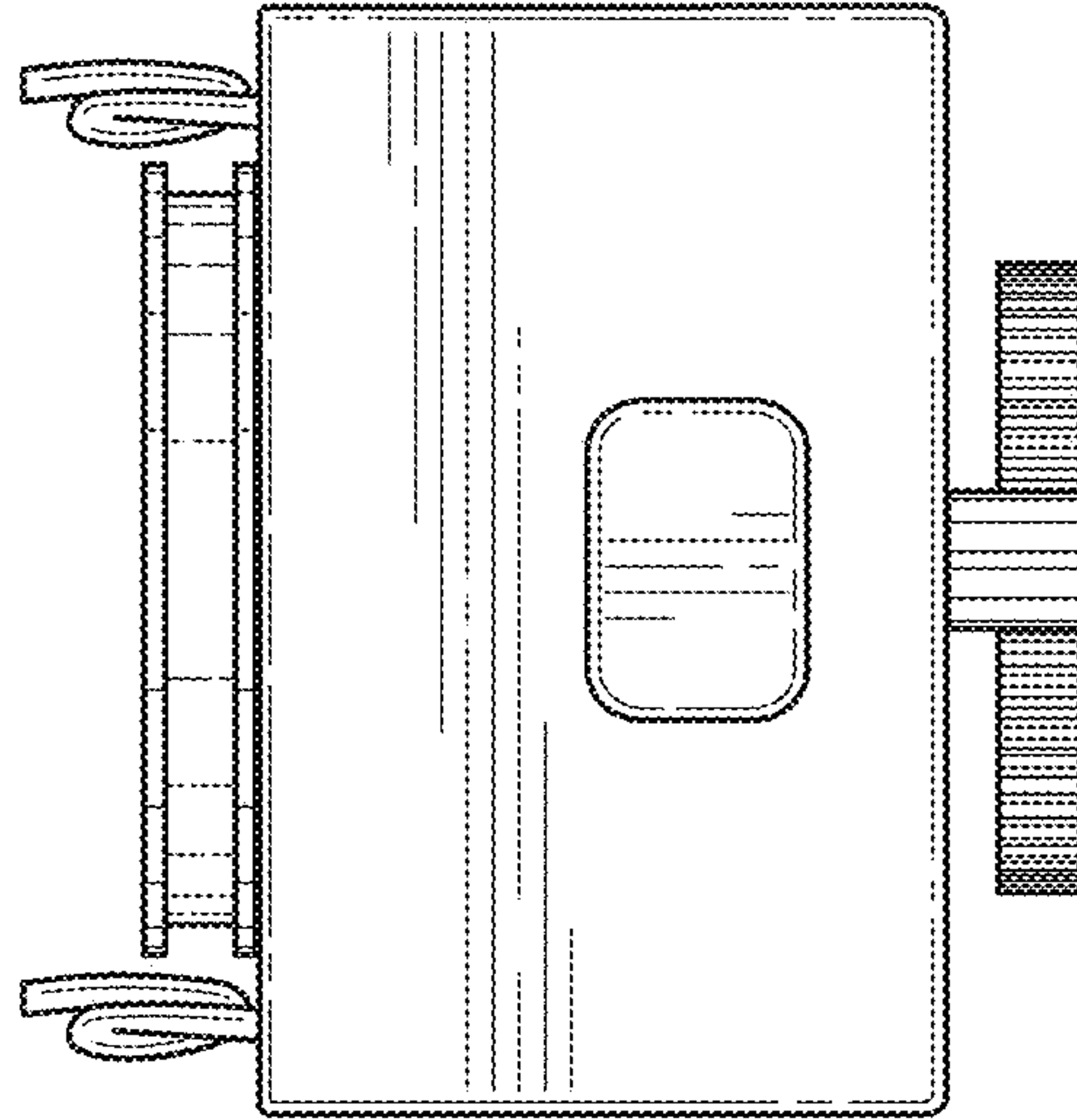


FIG. 7

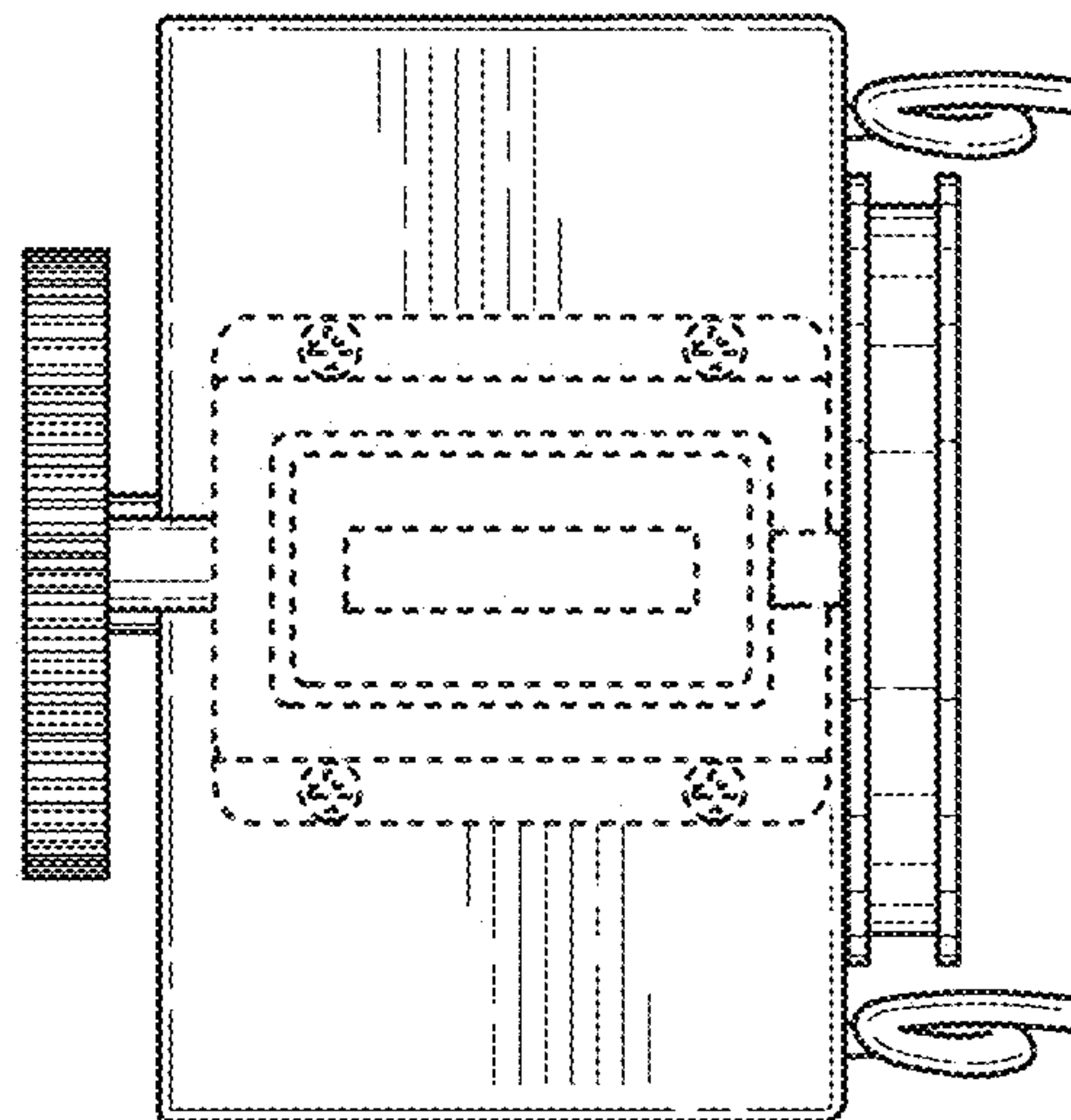


FIG. 6