



US00D974197S

(12) **United States Design Patent**
Mizrahi et al.

(10) **Patent No.:** **US D974,197 S**

(45) **Date of Patent:** **** Jan. 3, 2023**

(54) **DIGITAL THERMOMETER STORAGE CASE**

(71) Applicant: **Bytech IP Holdings, LLC**, Brooklyn, NY (US)

(72) Inventors: **Victor Mizrahi**, Brooklyn, NY (US);
Solomon Mizrahi, Brooklyn, NY (US);
Eli Mizrahi, Brooklyn, NY (US);
Daniel Mizrahi, Brooklyn, NY (US)

(73) Assignee: **Bytech IP Holdings, LLC**, Brooklyn, NY (US)

(**) Term: **15 Years**

(21) Appl. No.: **29/752,184**

(22) Filed: **Sep. 25, 2020**

(51) **LOC (14) Cl.** **10-04**

(52) **U.S. Cl.**
USPC **D10/60**

(58) **Field of Classification Search**
USPC D10/50, 53, 56, 57, 60, 104.1, 104.2,
D10/121; D24/135, 186, 187; D14/218
CPC G01K 1/08; G01K 1/14; G01K 13/20;
G01K 2207/02
See application file for complete search history.

(56) **References Cited**

U.S. PATENT DOCUMENTS

D675,114 S *	1/2013	Lacotta	D10/60
D675,115 S *	1/2013	Lacotta	D10/60
D675,116 S *	1/2013	Lacotta	D10/60
8,949,065 B2 *	2/2015	Holderle	G01J 5/0893 702/135
D885,951 S *	6/2020	Lee	D10/104.1
D915,232 S *	4/2021	Lee	D10/104.1
D939,475 S *	12/2021	Lee	D14/218
D946,442 S *	3/2022	Russo	D10/121
D946,443 S *	3/2022	Russo	D10/121

D947,155 S *	3/2022	Lee	D14/218
2006/0120432 A1 *	6/2006	Lantz	G01J 5/049 374/E1.013
2009/0092172 A1 *	4/2009	Harr	A61B 5/6817 374/E1.001
2009/0252195 A1 *	10/2009	Scharer	G01J 5/02 374/208

* cited by examiner

Primary Examiner — George D. Kirschbaum
Assistant Examiner — Lillian Windham

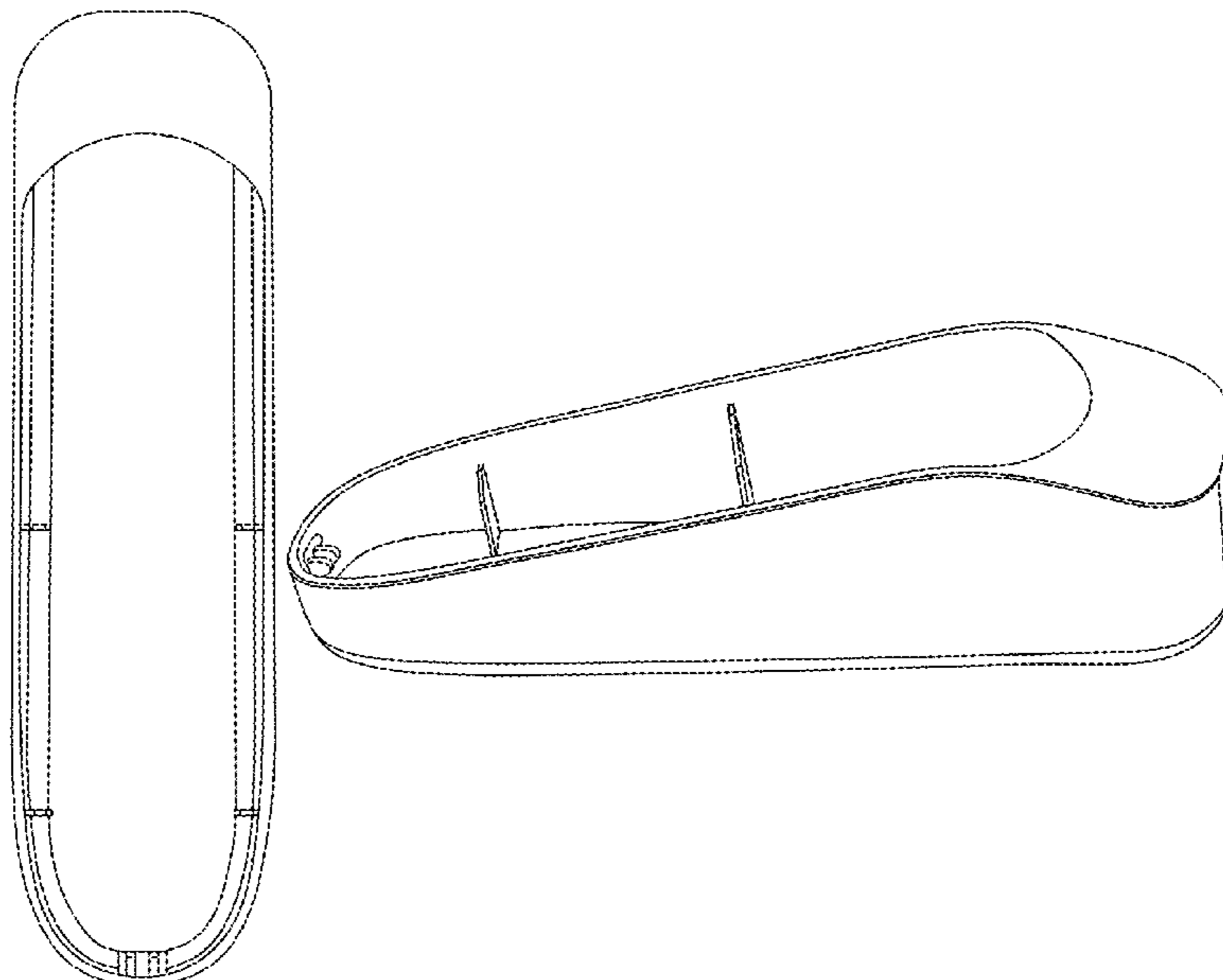
(57) **CLAIM**

The ornamental design for a digital thermometer storage case, as shown and described.

DESCRIPTION

FIG. 1 is a top view of a first embodiment of a digital thermometer storage case showing our new design; FIG. 2 is a bottom view thereof; FIG. 3 is a front view thereof; FIG. 4 is a rear view thereof; FIG. 5 is a right side view thereof; FIG. 6 is a left side view thereof; FIG. 7 is a perspective view thereof showing the top and the right side of the digital thermometer storage case; FIG. 8 is a top view of a second embodiment of a digital thermometer storage case showing our new design; FIG. 9 is a bottom view thereof; FIG. 10 is a front view thereof; FIG. 11 is a rear view thereof; FIG. 12 is a right side view thereof; FIG. 13 is a left side view thereof; and, FIG. 14 is a perspective view thereof showing the top and the right side of the digital thermometer storage case. The broken lines shown in FIGS. 8, 10 and 14 are included for the purpose of illustrating portions of the digital thermometer storage case and form no part of the claimed design.

1 Claim, 14 Drawing Sheets



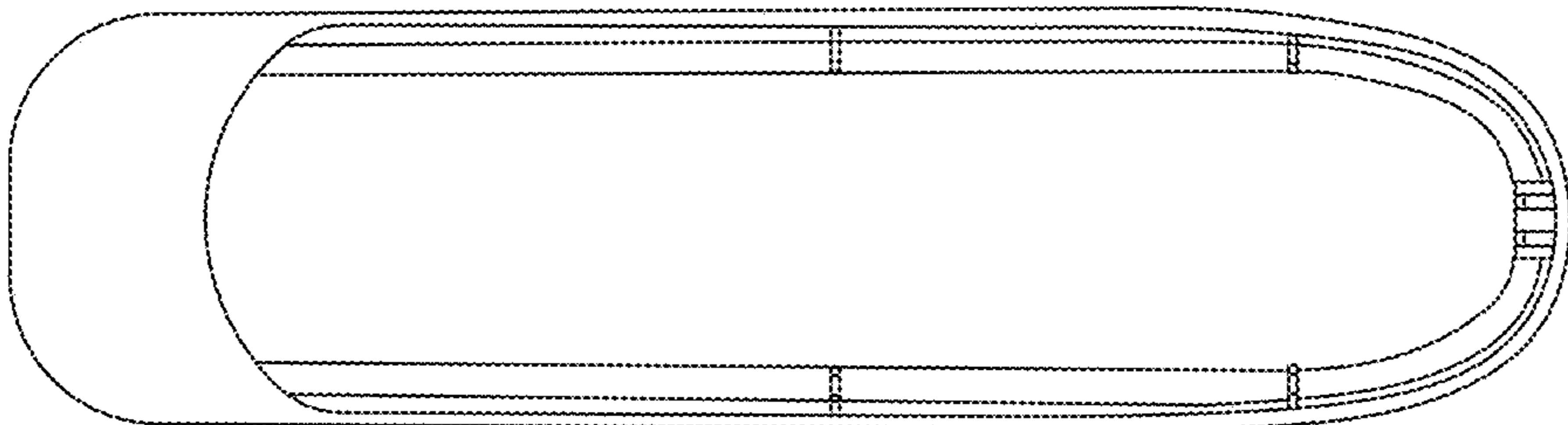


FIG. 1

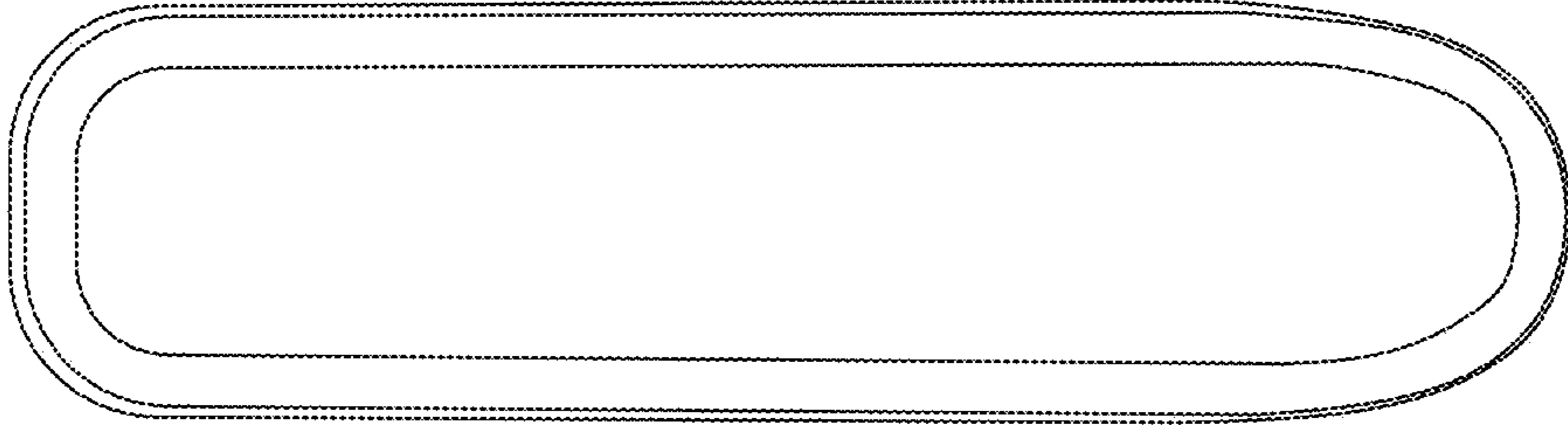


FIG. 2

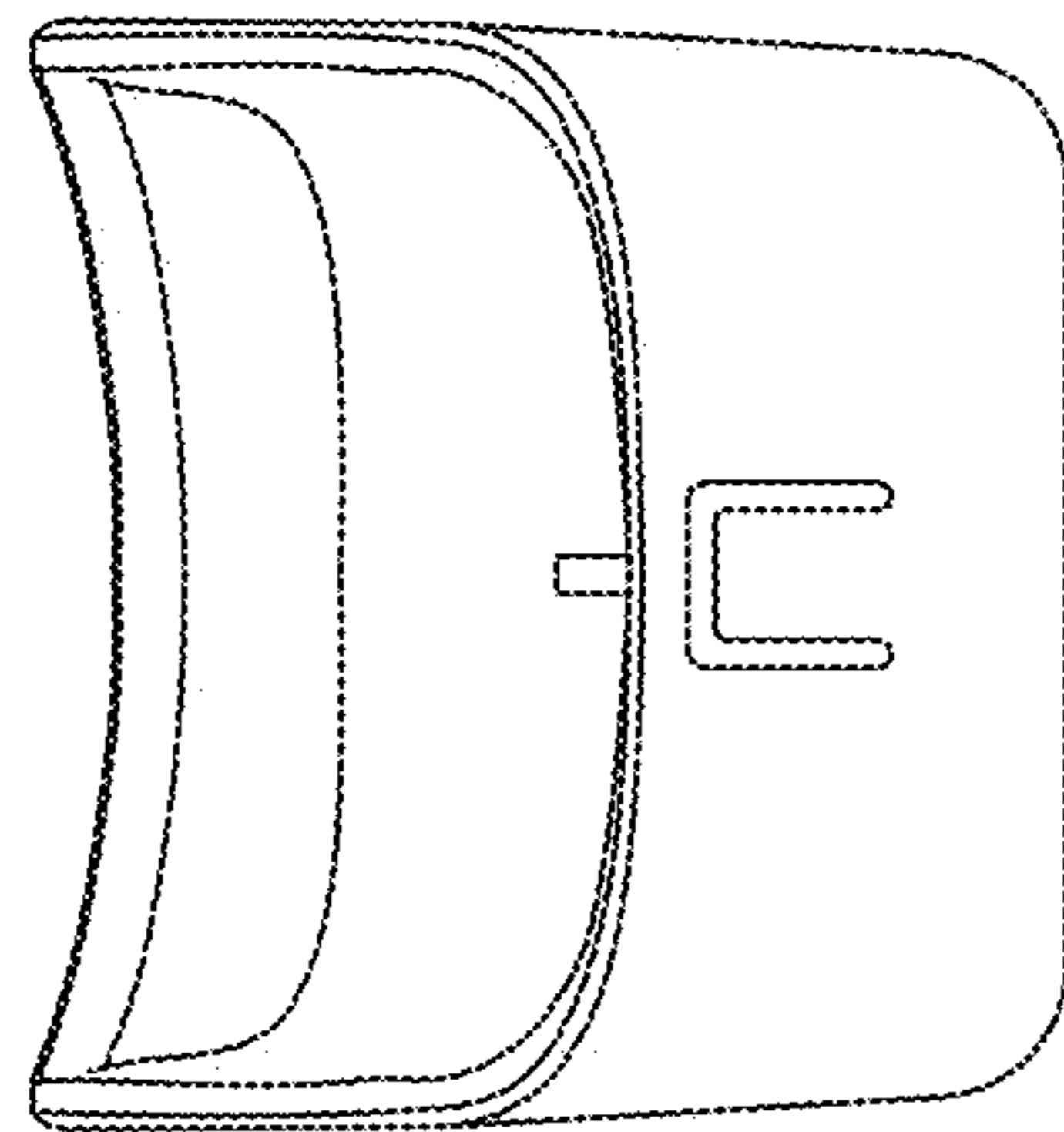


FIG. 3

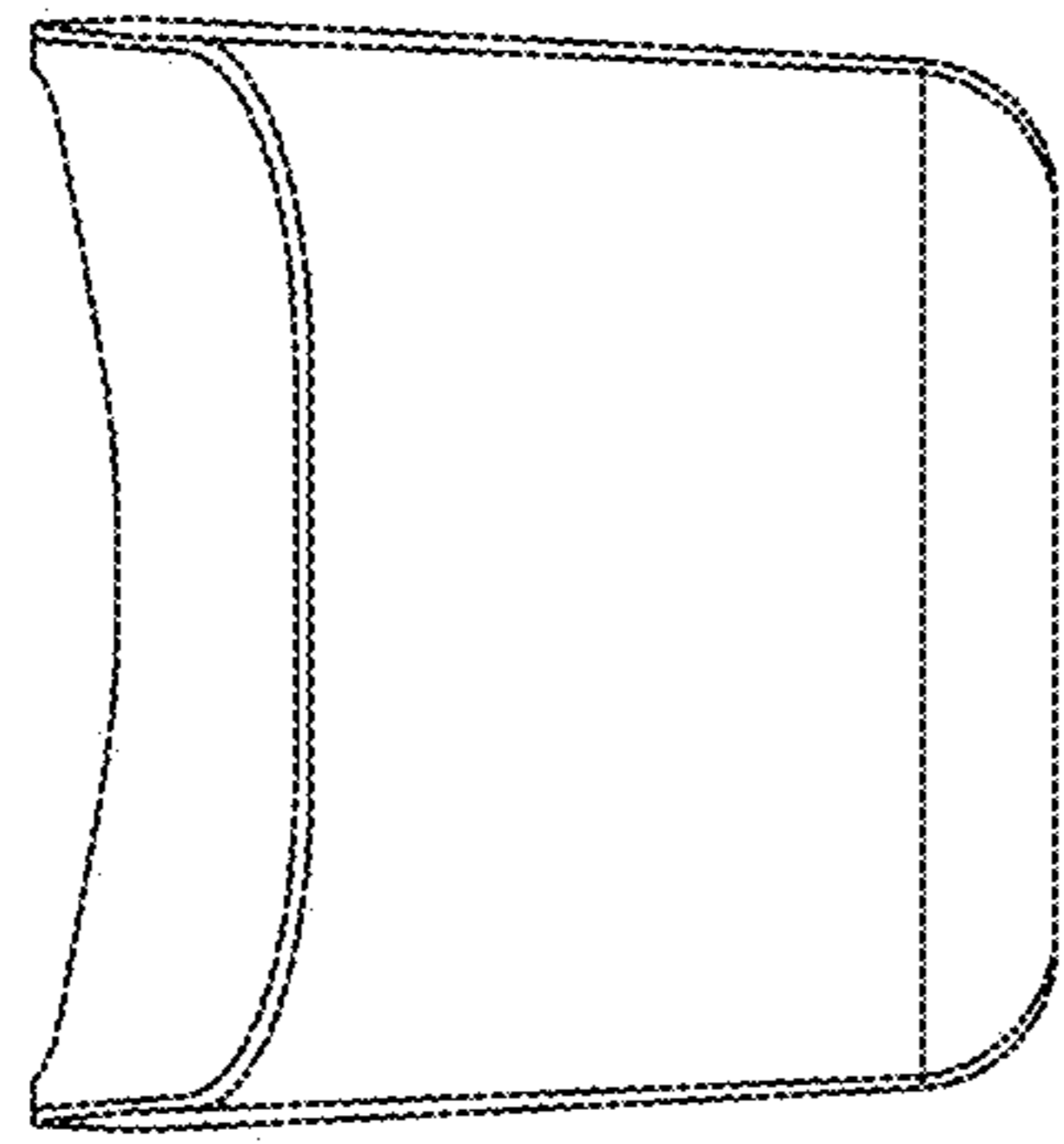


FIG. 4

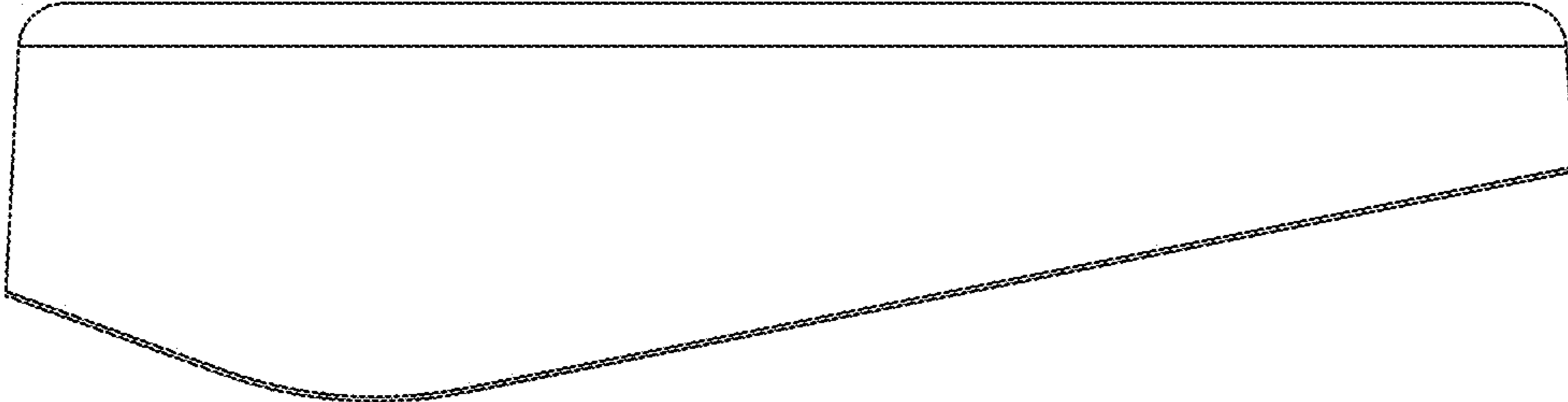


FIG. 5

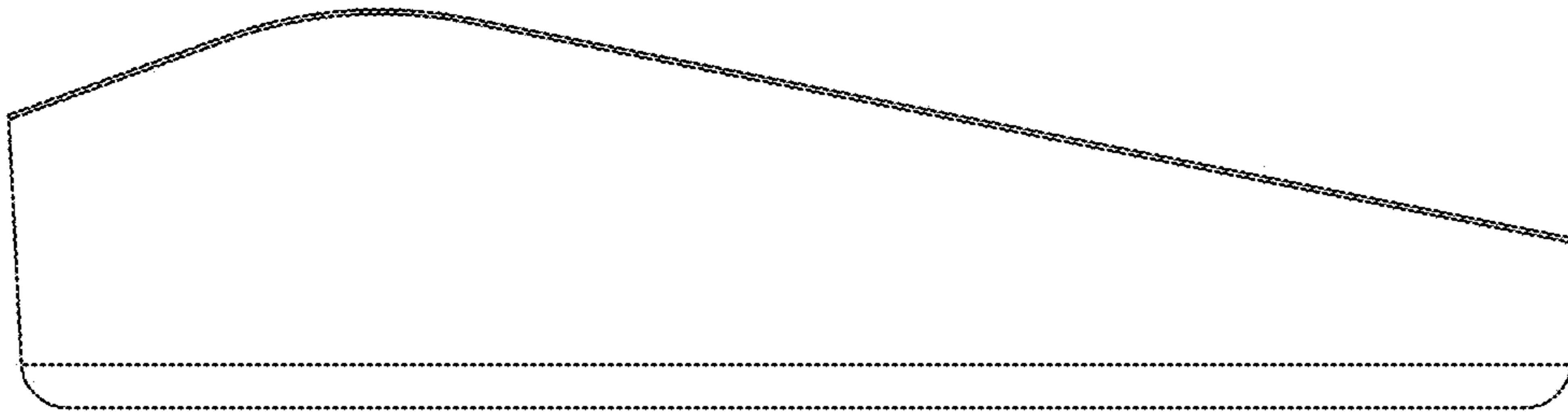


FIG. 6

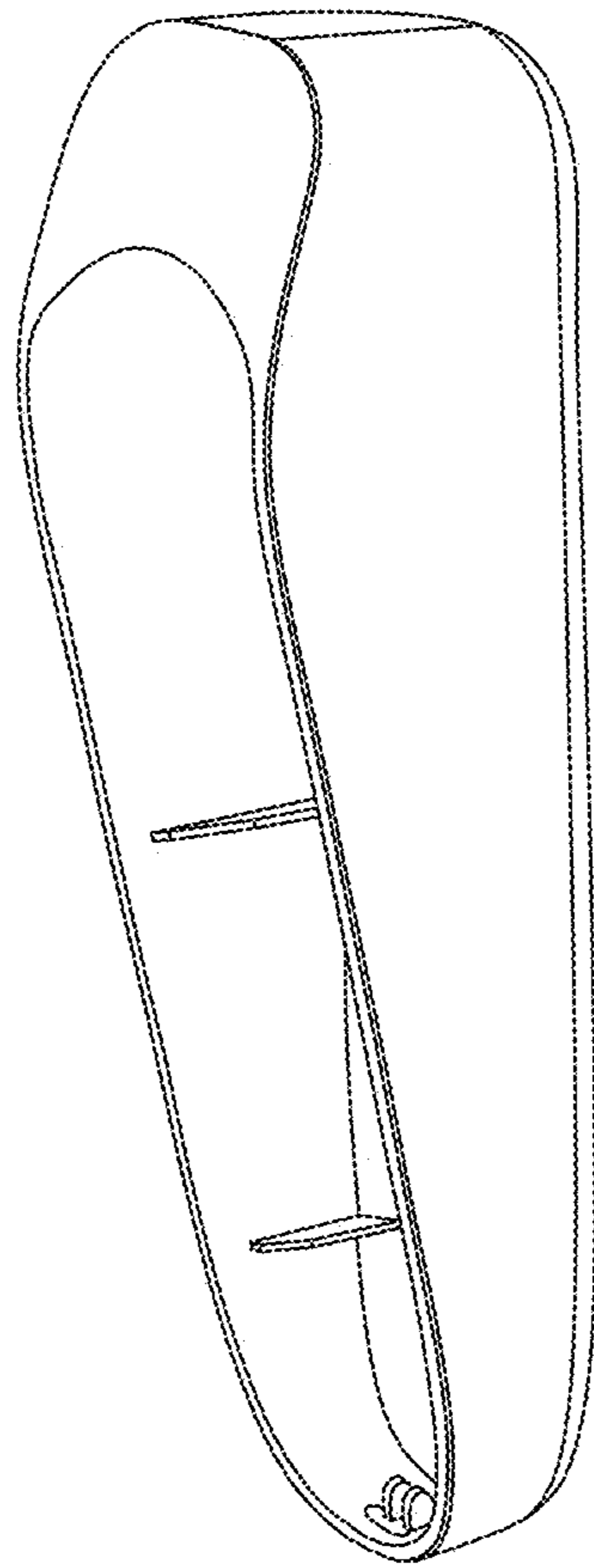


FIG. 7

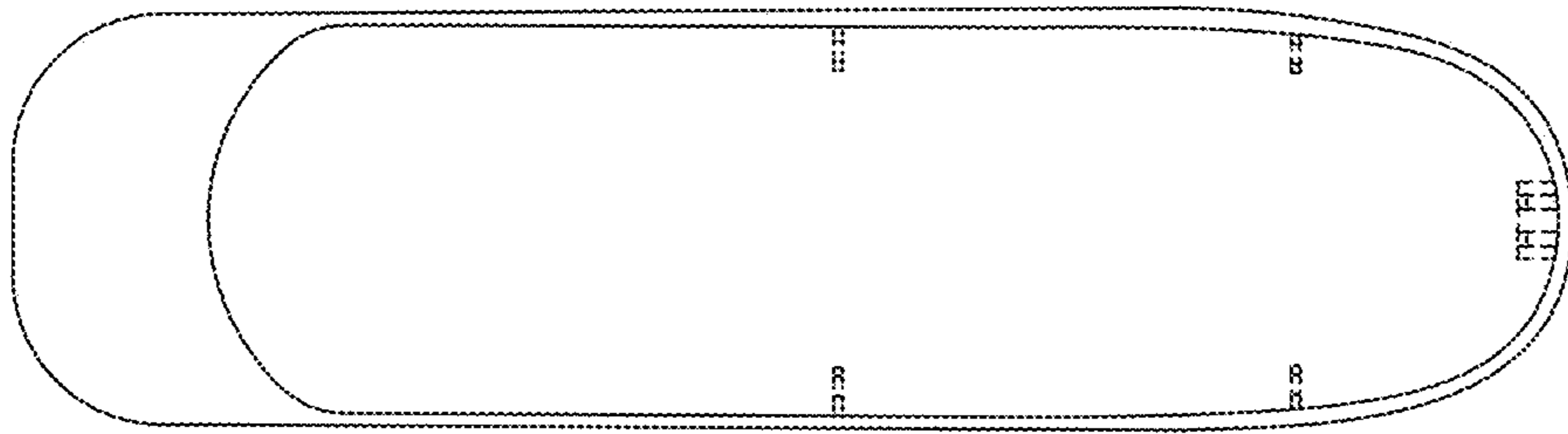


FIG. 8

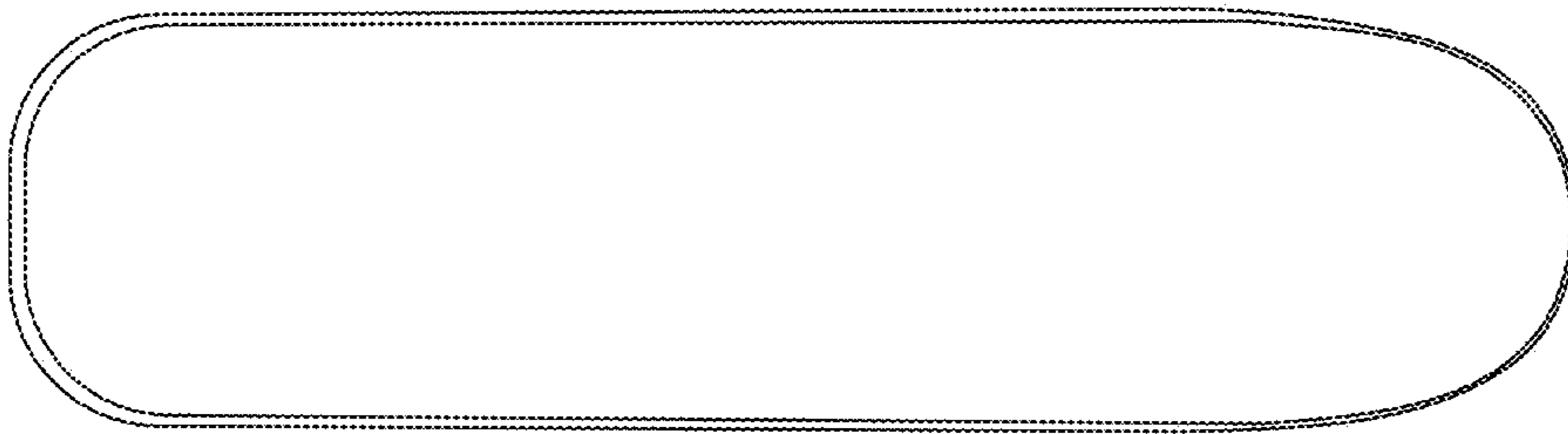


FIG. 9

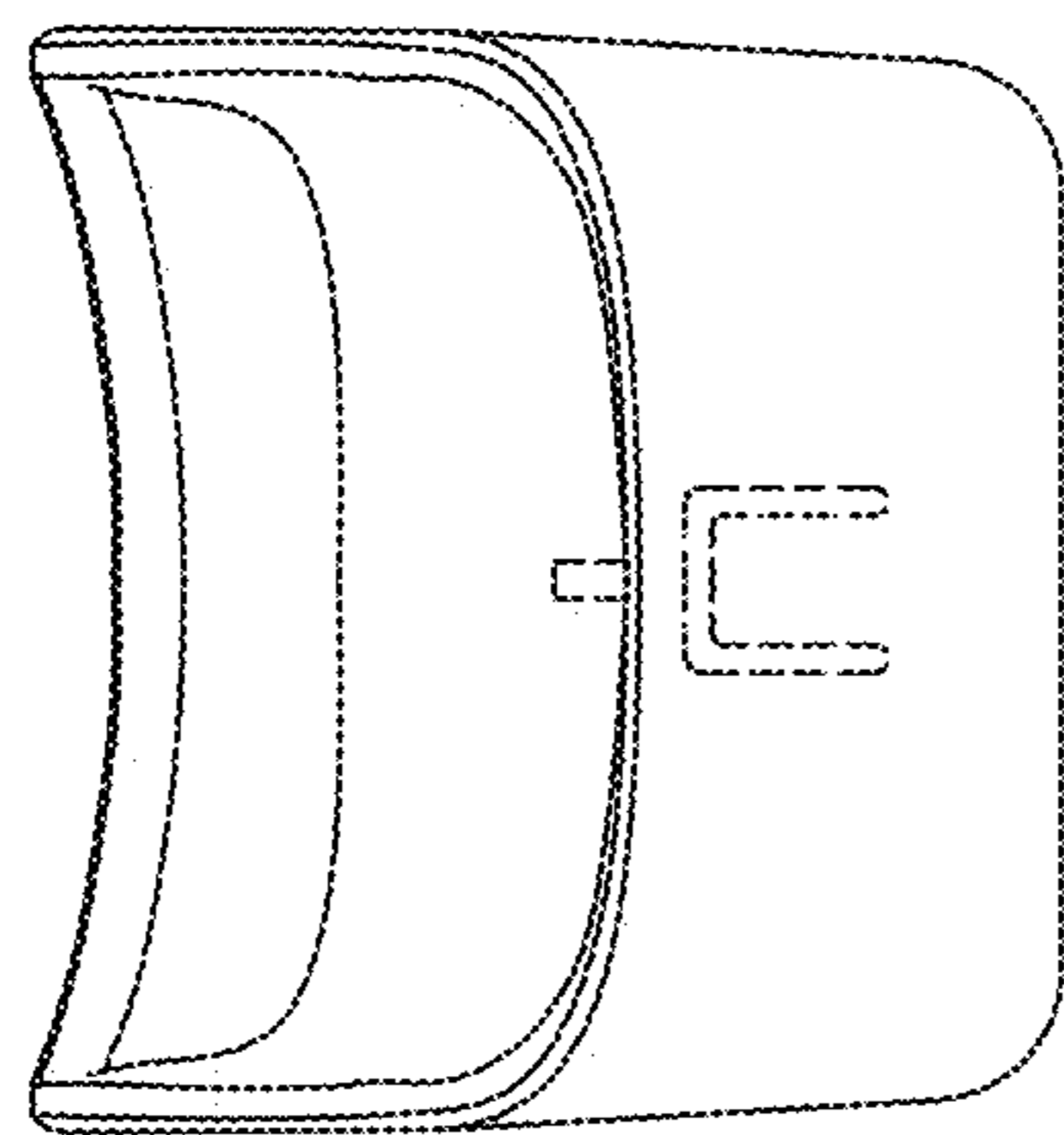


FIG. 10

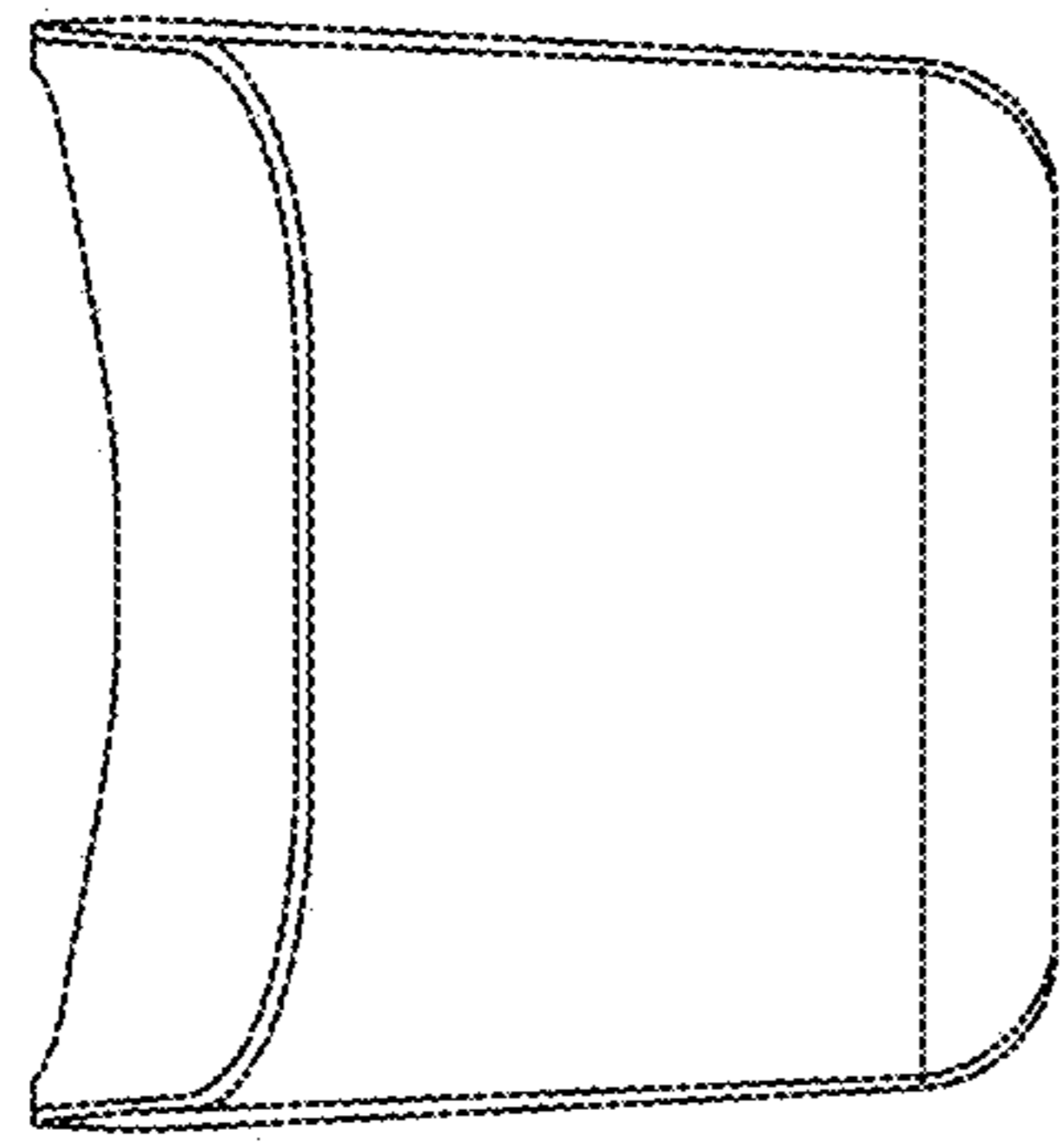


FIG. 11

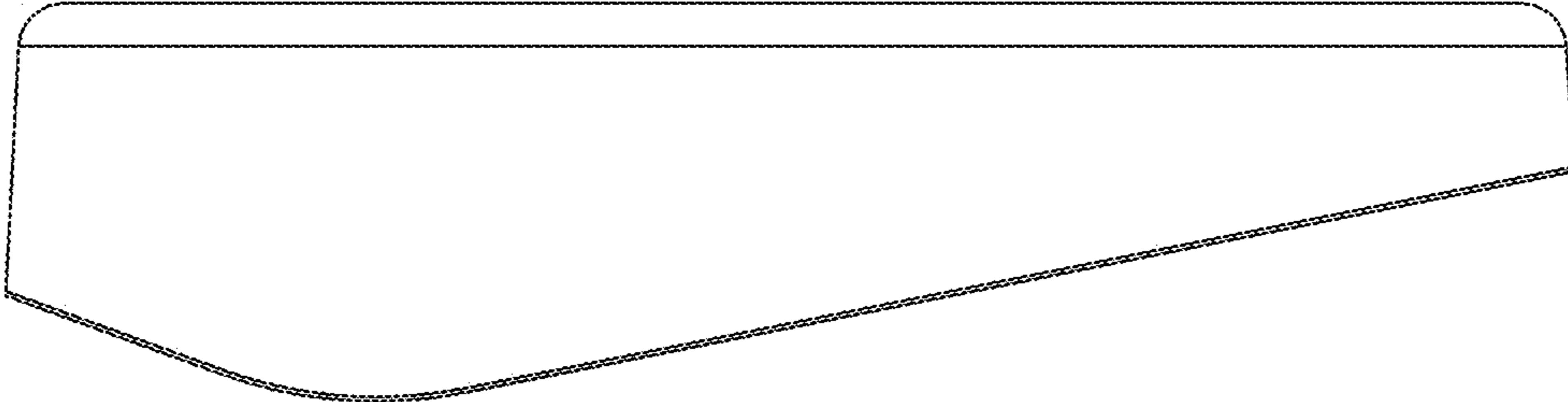


FIG. 12

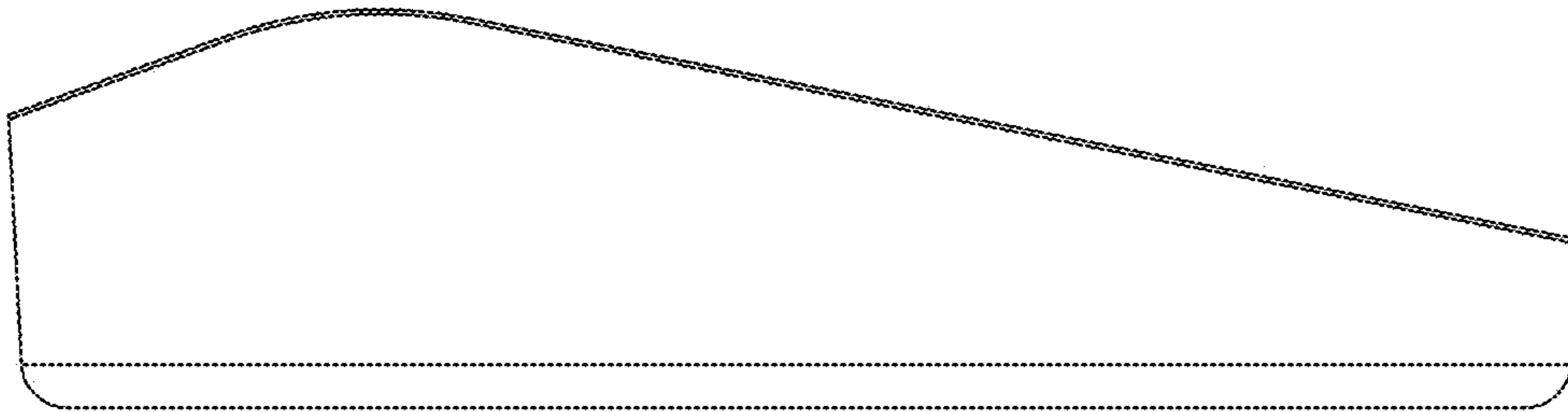


FIG. 13

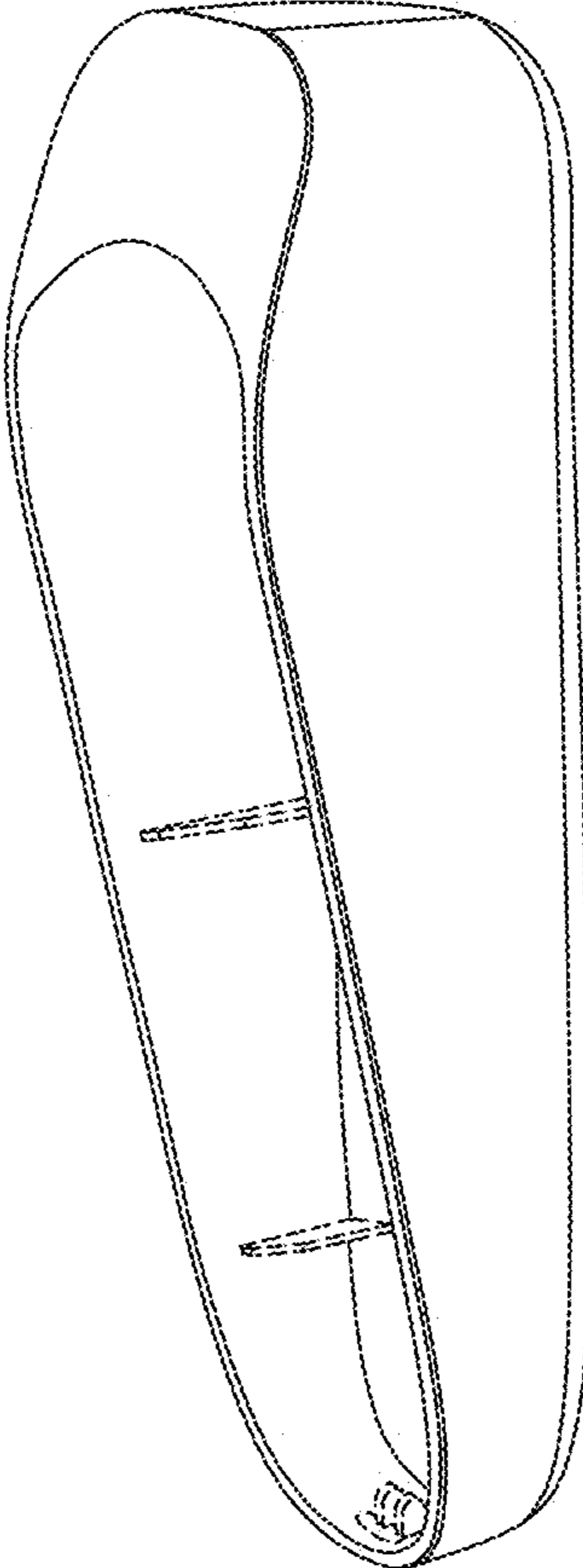


FIG. 14