



US00D974196S

(12) **United States Design Patent**
Zhao

(10) **Patent No.:** **US D974,196 S**

(45) **Date of Patent:** **** Jan. 3, 2023**

(54) **THERMOMETER**

(71) Applicant: **SHENZHEN SEVEN LIKE CO., LTD.**, Shenzhen (CN)

(72) Inventor: **Suhua Zhao**, Shenzhen (CN)

(73) Assignee: **SHENZHEN SEVEN LIKE CO., LTD.**, Shenzhen (CN)

(**) Term: **15 Years**

(21) Appl. No.: **29/807,945**

(22) Filed: **Sep. 16, 2021**

(51) **LOC (14) Cl.** **10-04**

(52) **U.S. Cl.**
USPC **D10/57**

(58) **Field of Classification Search**
USPC D10/15, 40, 49, 50, 52, 57, 60, 70;
D24/186
CPC G01K 1/08; G01K 1/14; G01K 13/20;
G01K 2207/02; G01W 1/02
See application file for complete search history.

(56) **References Cited**

U.S. PATENT DOCUMENTS

D382,820 S *	8/1997	Chan	D10/40
D440,503 S *	4/2001	Gordon	D10/57
D451,034 S *	11/2001	Li	D10/15
D472,480 S *	4/2003	Chung	D10/57
D476,239 S *	6/2003	Hsu	D10/15
D488,393 S *	4/2004	Hsu	D10/40
D546,202 S *	7/2007	Chang	D10/15
D599,222 S *	9/2009	Bialek-Wester	D10/40
D600,569 S *	9/2009	Sadler	D10/15
D615,427 S *	5/2010	Au Yeung	D10/70
D630,112 S *	1/2011	Maruyama	D10/70
D631,765 S *	2/2011	Qian	D10/40
D665,679 S *	8/2012	Shigeno	D10/70
D685,655 S *	7/2013	Hsu	D10/15
D693,699 S *	11/2013	Hsu	D10/15
D720,246 S *	12/2014	Shigeno	D10/70

D797,580 S *	9/2017	Read	D10/49
D843,239 S *	3/2019	Read	D10/60
D871,589 S *	12/2019	Oshima	D24/186
D884,497 S *	5/2020	Tang	D10/57
D885,943 S	6/2020	Yu		
D916,604 S	4/2021	Doherty et al.		
D926,056 S *	7/2021	Lagerstedt	G04G 15/006 D10/57

(Continued)

OTHER PUBLICATIONS

Razorri Smart Meat Thermometer, available in Amazon.com, date first available Sep. 8, 2021 [online], [site visited Jul. 16, 2022], Available from the internet URL: <<https://www.amazon.com/Razorri-Thermometer-Digital-Wireless-Probes/dp/B09FPDJ74C>>. (Year: 2021).*

(Continued)

Primary Examiner — George D. Kirschbaum
Assistant Examiner — Lillian Windham
(74) *Attorney, Agent, or Firm* — Jeenam Park

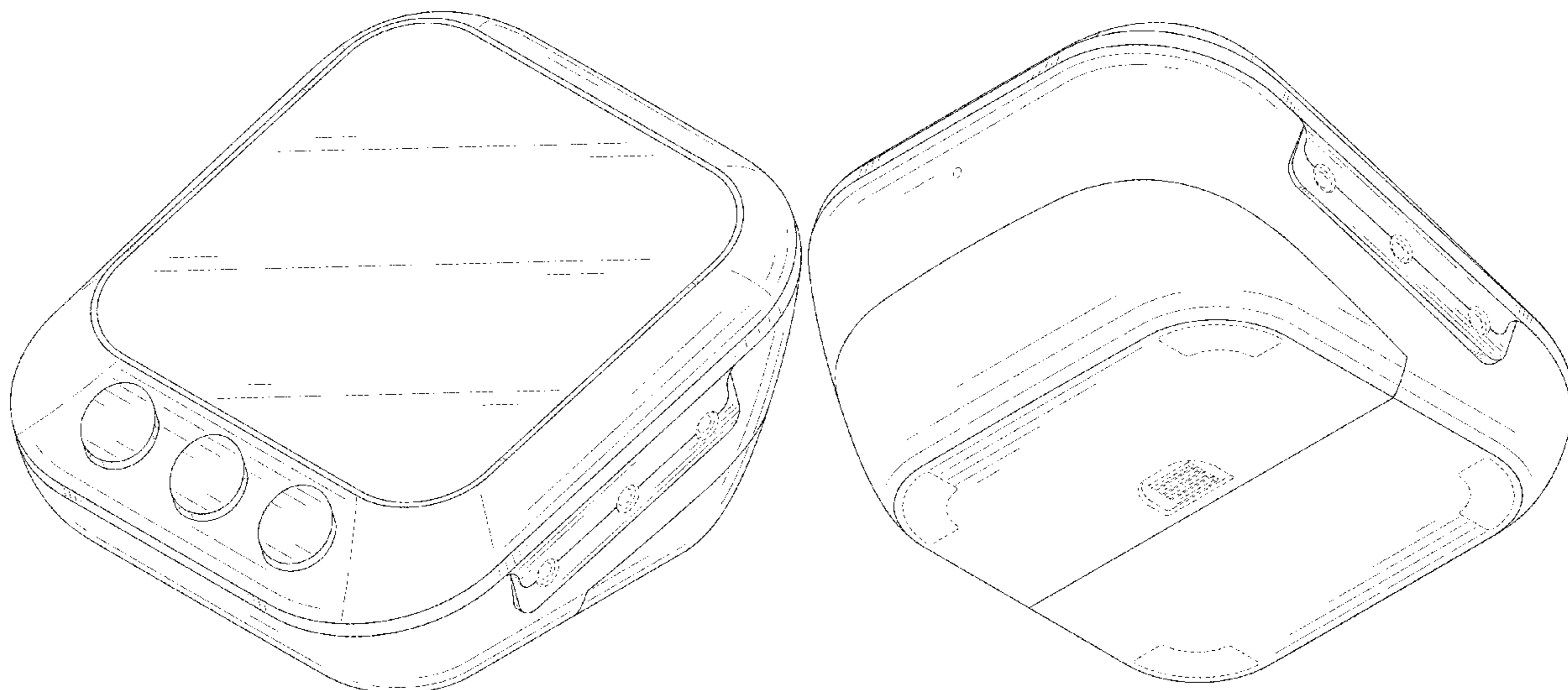
(57) **CLAIM**

The ornamental design for a thermometer, as shown and described.

DESCRIPTION

FIG. 1 is a front perspective view of a thermometer showing my new design;
FIG. 2 is a rear perspective view thereof;
FIG. 3 is a front elevational view thereof;
FIG. 4 is a rear elevational view thereof;
FIG. 5 is a left side elevational view thereof;
FIG. 6 is a right side elevational view thereof;
FIG. 7 is a top plan view thereof; and,
FIG. 8 is a bottom plan view thereof.
The broken lines in the drawings depict portions of the thermometer that form no part of the claimed design.

1 Claim, 8 Drawing Sheets



(56)

References Cited

U.S. PATENT DOCUMENTS

D929,247 S *	8/2021	Yu	D10/57
D947,043 S *	3/2022	Wu	D10/57
D951,779 S *	5/2022	He	D10/40
D953,896 S *	6/2022	Zuo	D10/57
D953,897 S *	6/2022	Zuo	D10/57
D955,896 S *	6/2022	Zheng	D10/15
2010/0274527 A1 *	10/2010	Ruff	G04G 15/006 368/109

OTHER PUBLICATIONS

Wireless Smart Meat Thermometer, available in Amazon.com, date first available Jul. 29, 2021 [online], [site visited Jul. 16, 2022], Available from the internet URL: <<https://www.amazon.com/Wireless-Smart-Meat-Thermometer-Notification/dp/B09BFLHFC>>. (Year: 2021).*

* cited by examiner

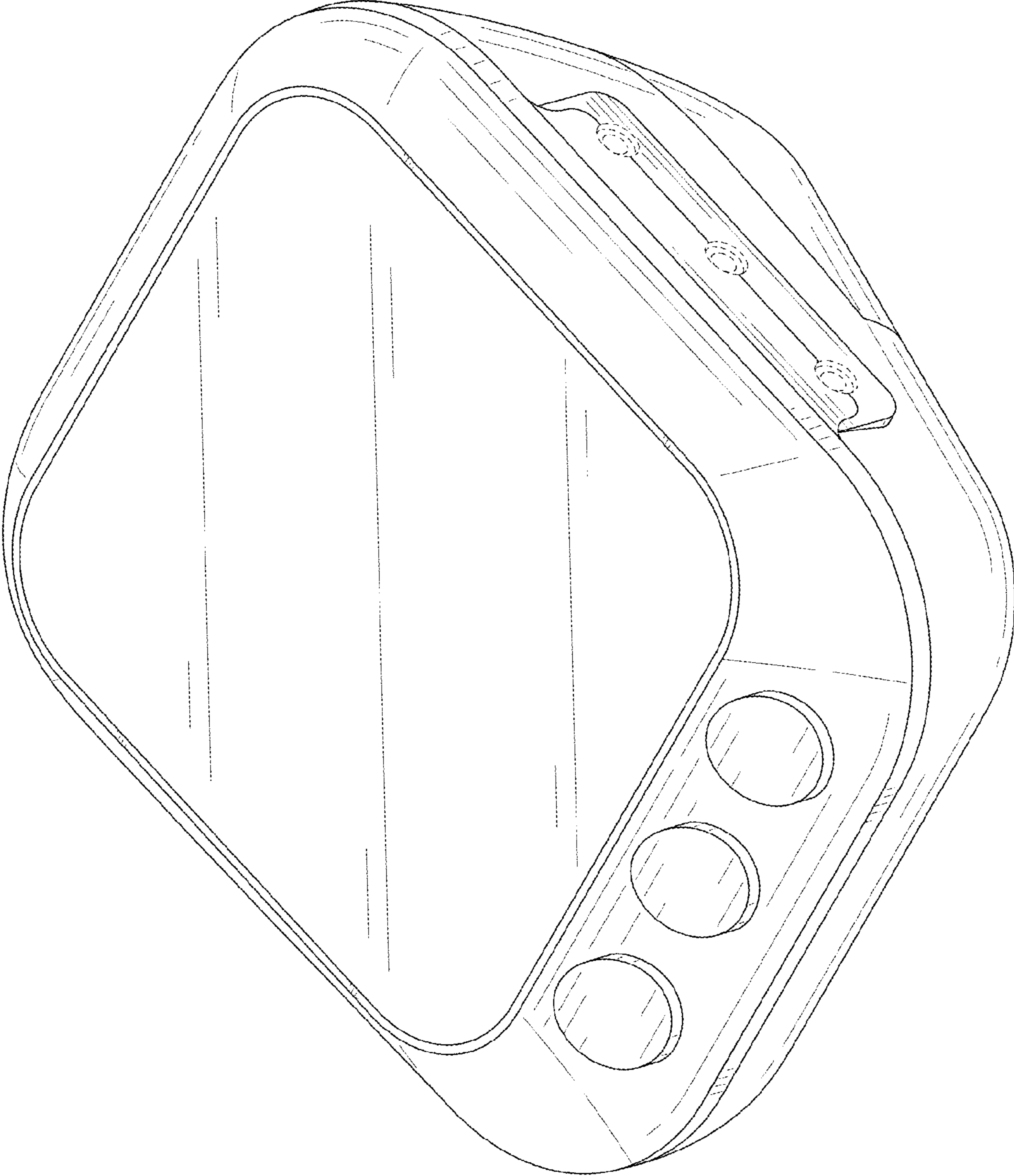


FIG. 1

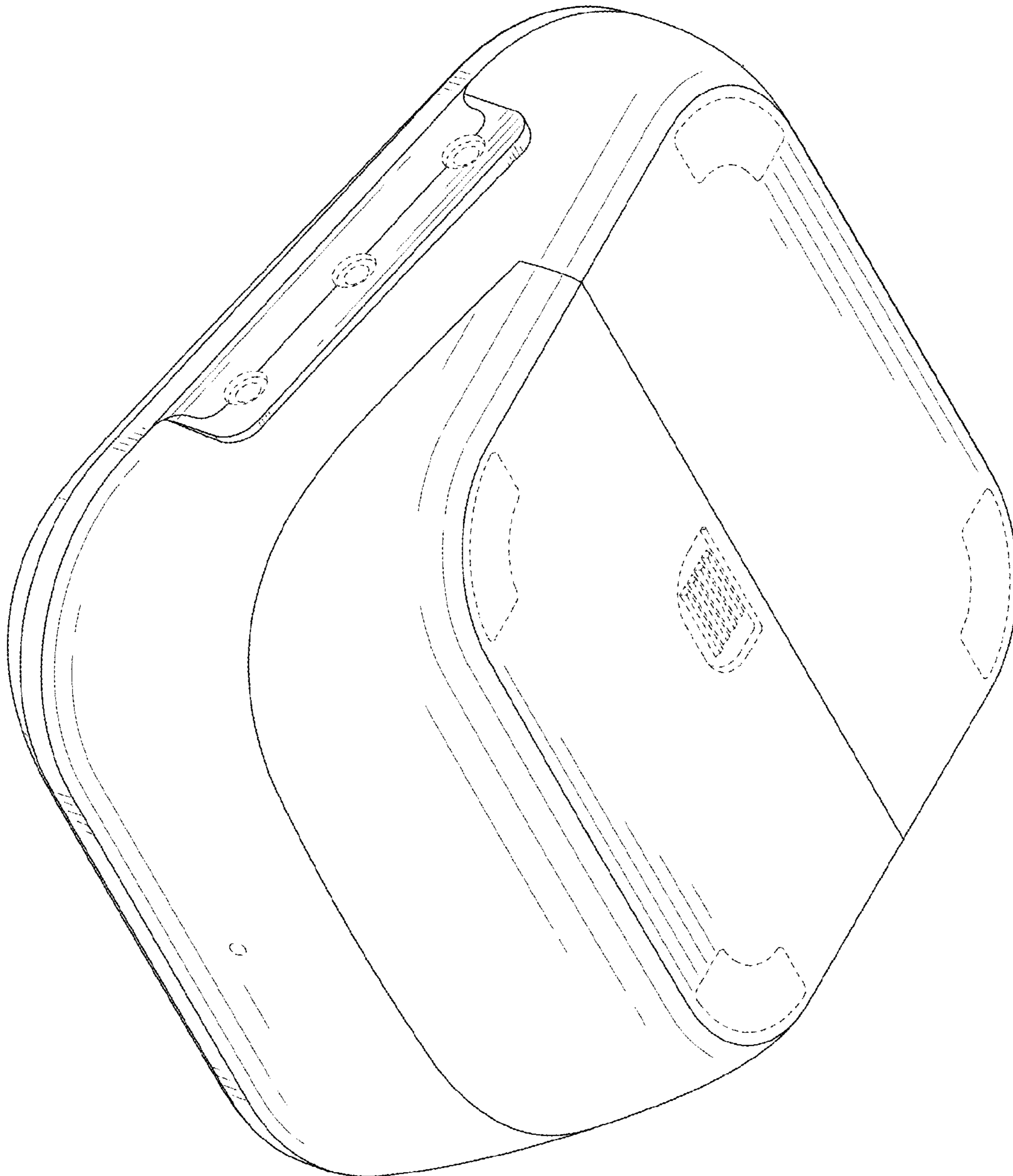


FIG. 2

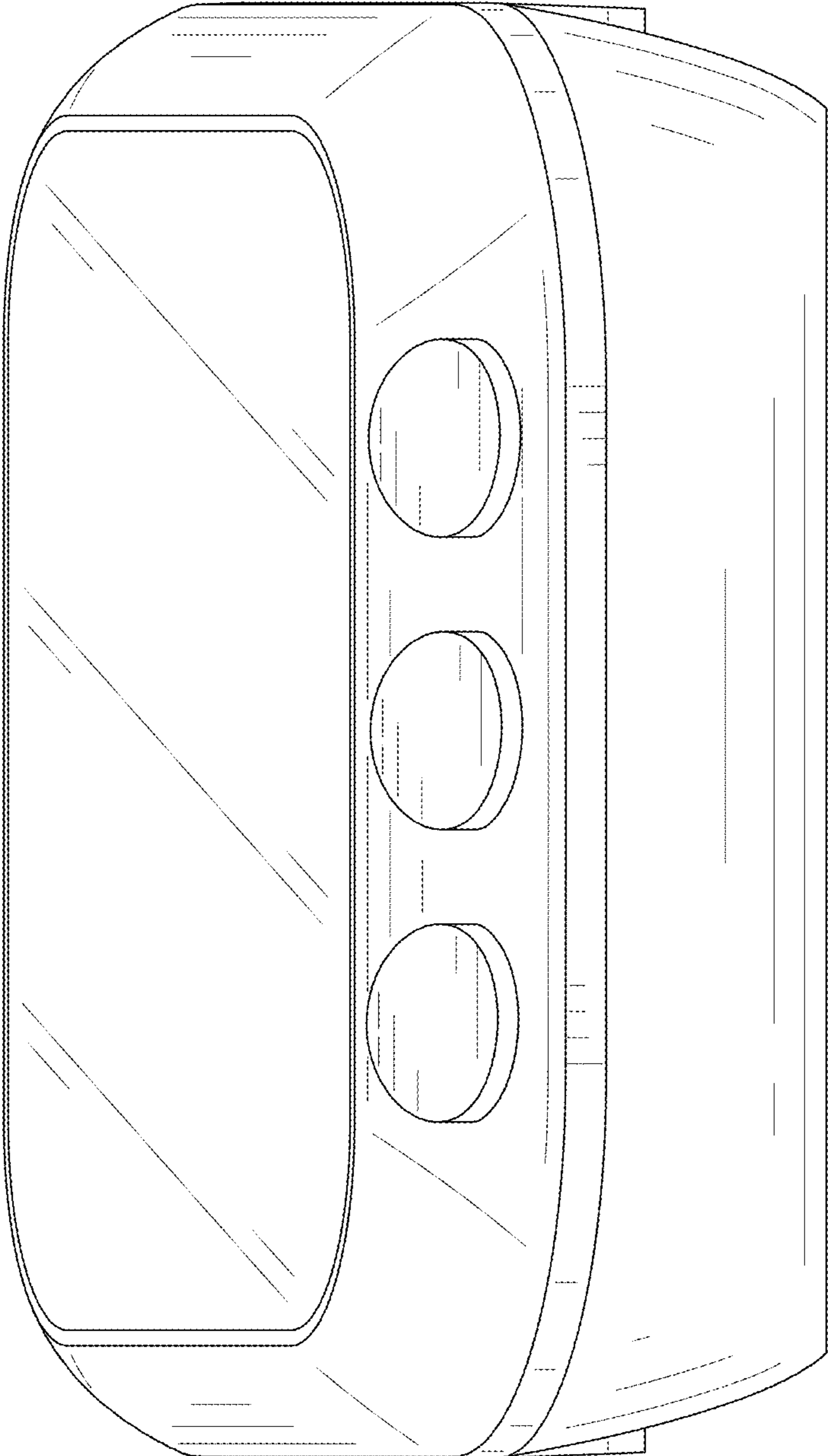


FIG. 3

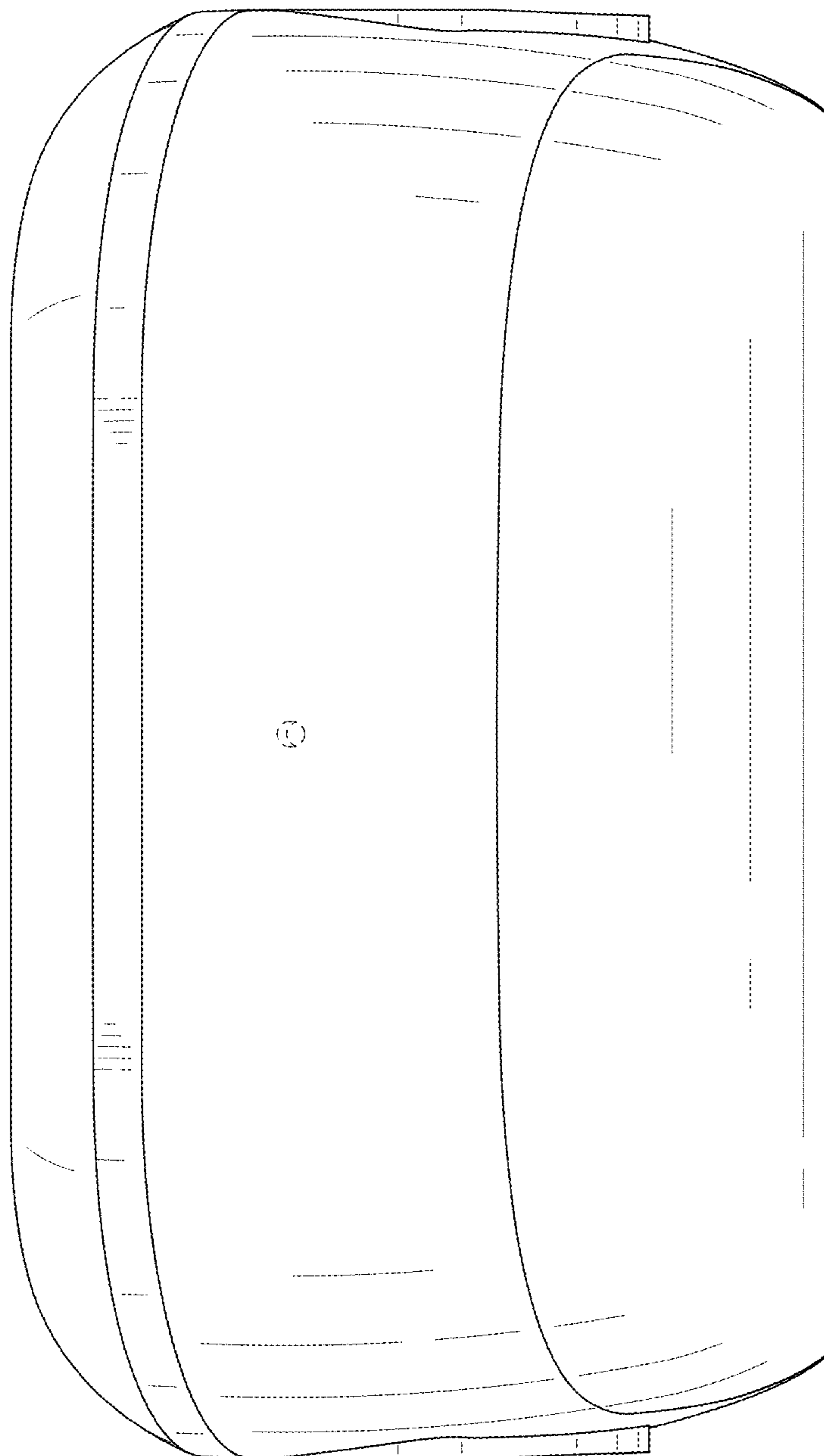


FIG. 4

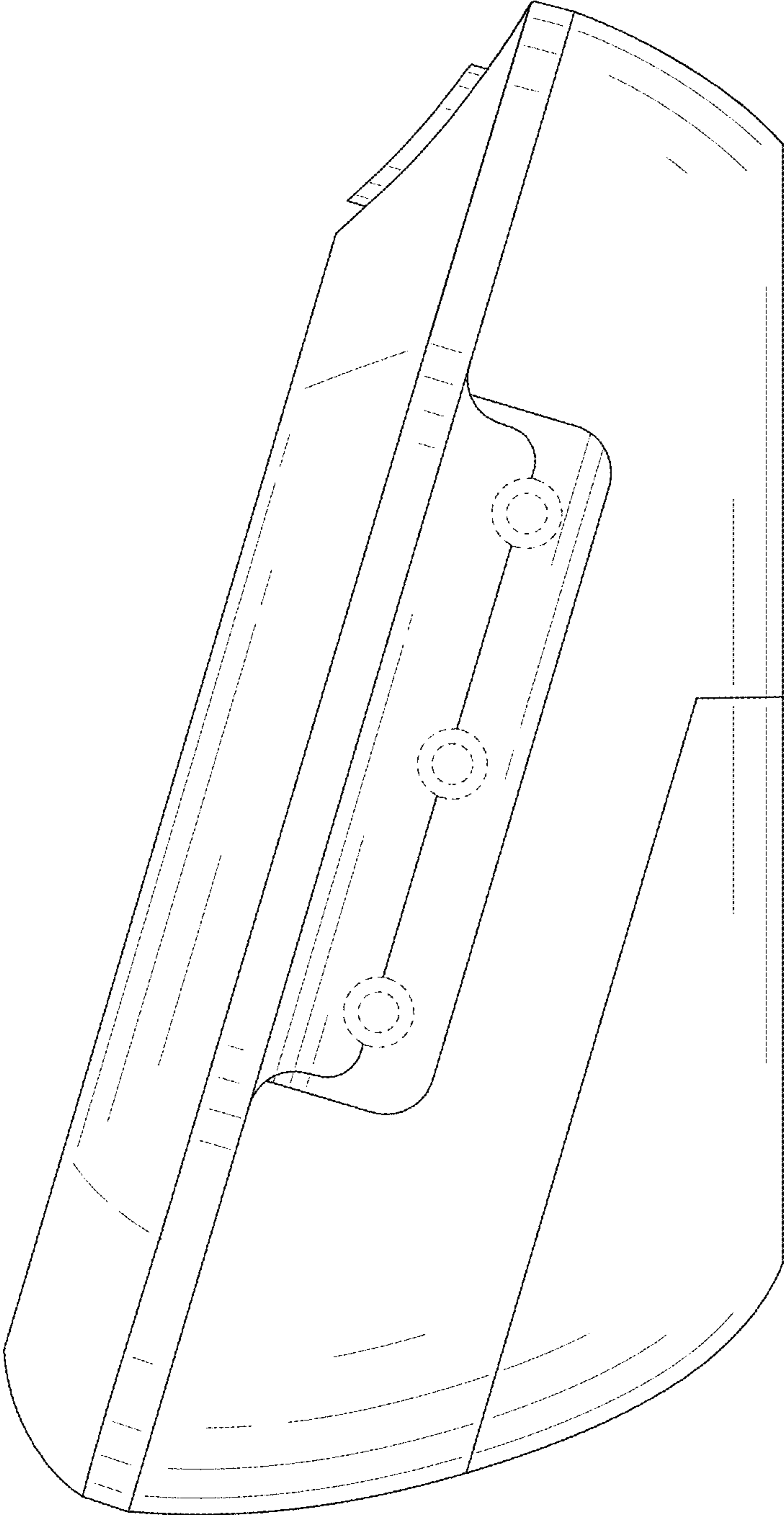


FIG. 5

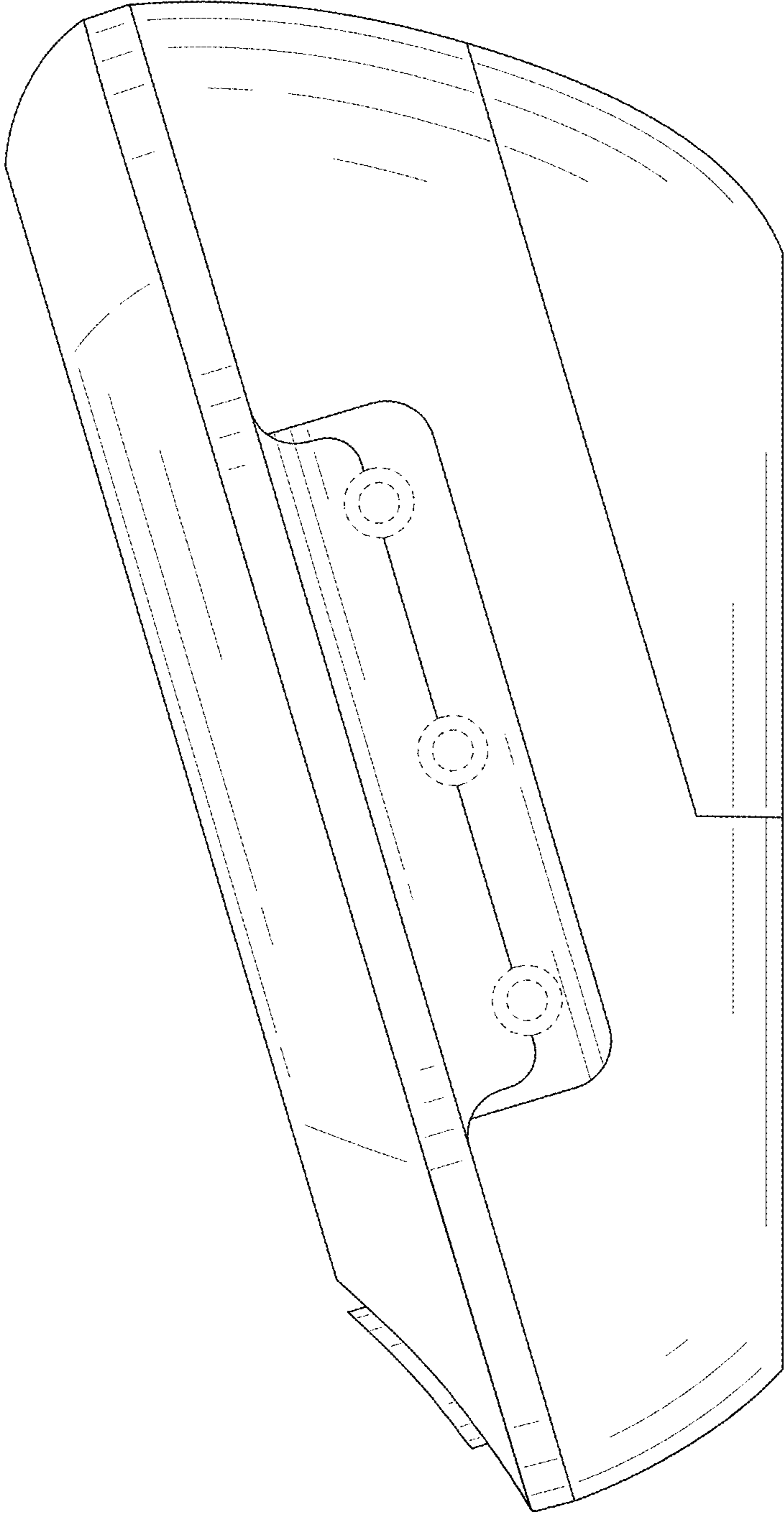


FIG. 6

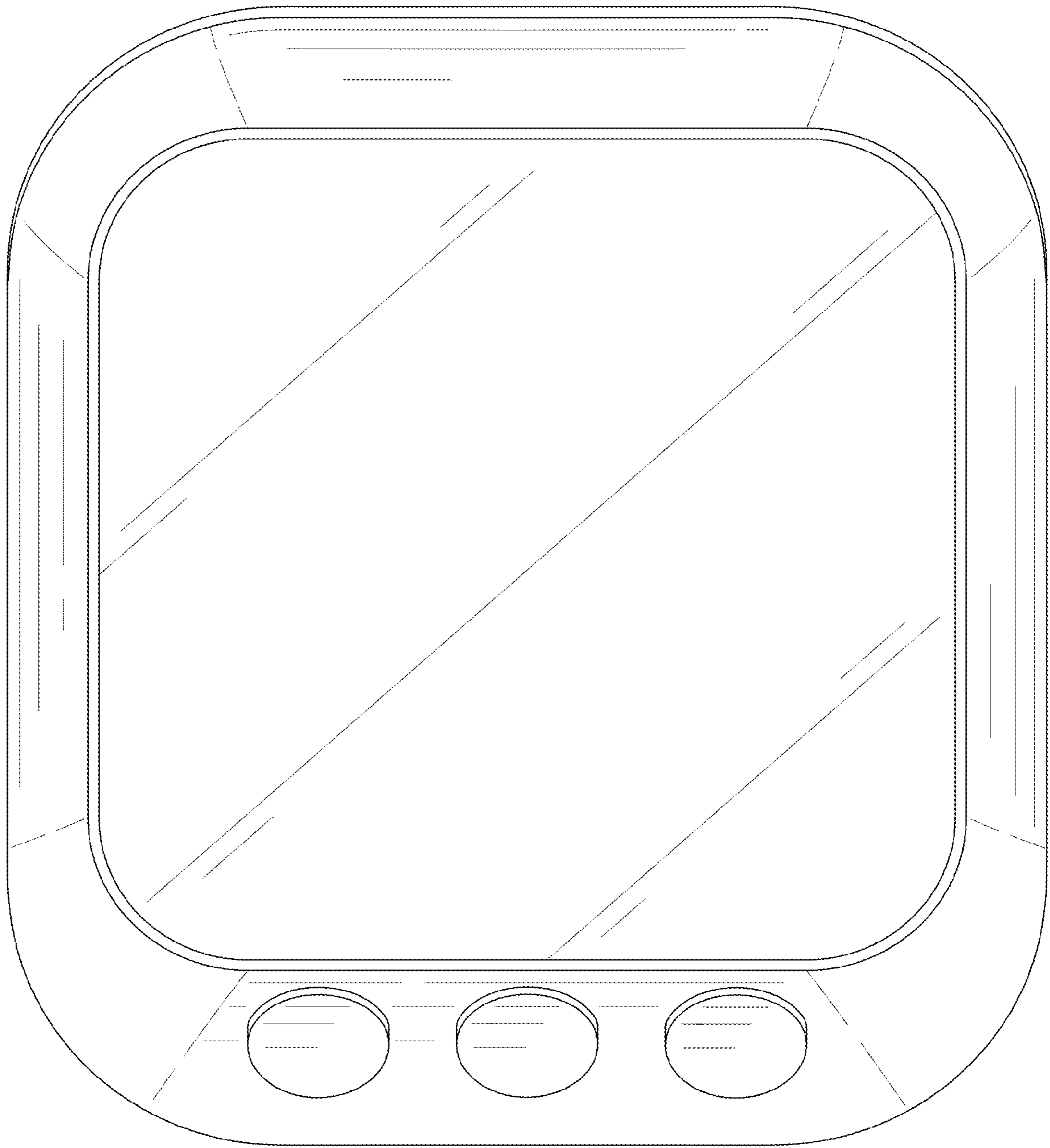


FIG. 7

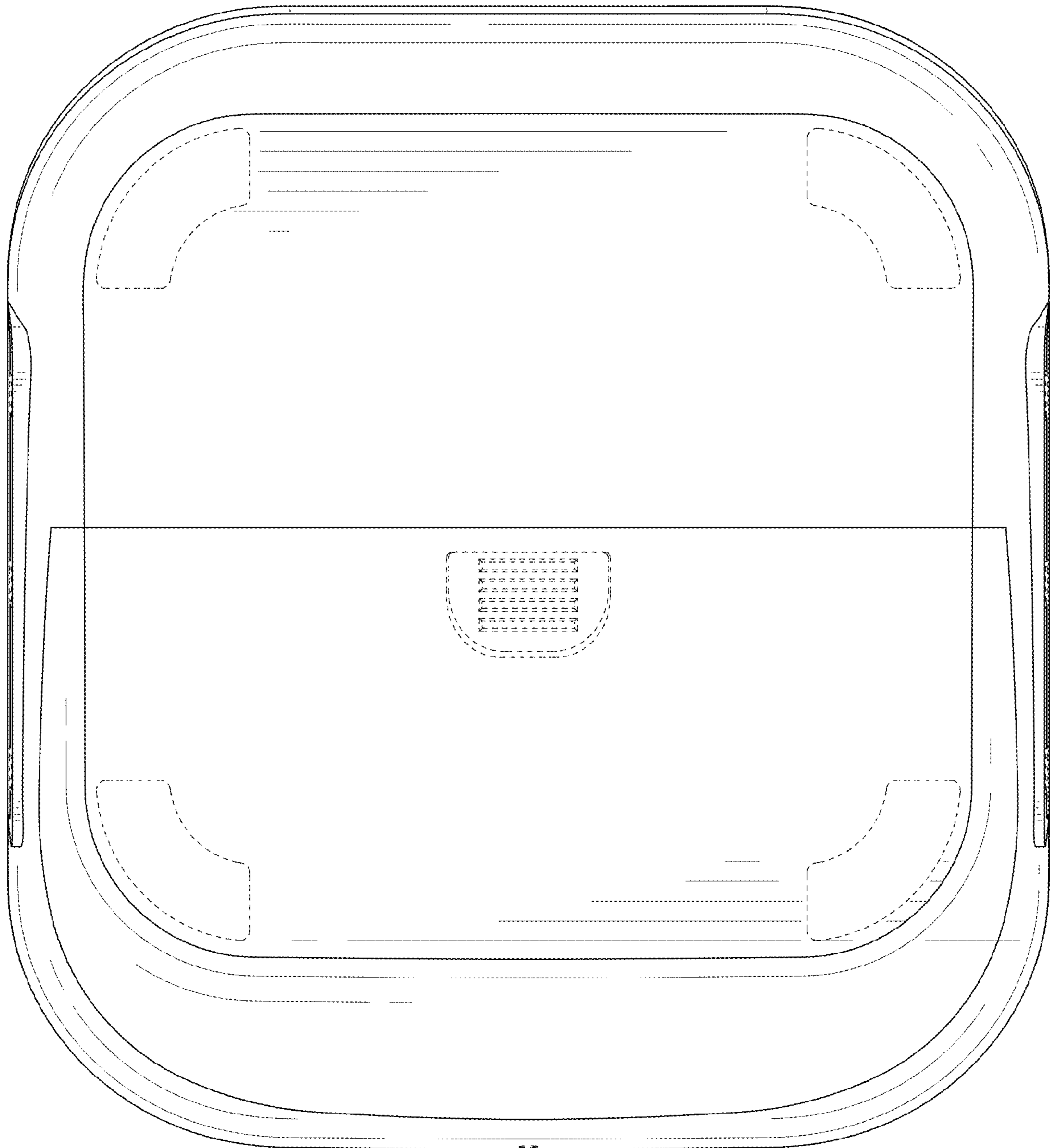


FIG. 8