



US00D974190S

(12) **United States Design Patent** (10) **Patent No.:** **US D974,190 S**
Deng (45) **Date of Patent:** **** Jan. 3, 2023**

(54) **METAL DETECTOR HANDLE**

FOREIGN PATENT DOCUMENTS

(71) Applicant: **Shanghai Tianxun Electronic Equipment Co., Ltd, Shanghai (CN)**

CN 305686480 * 6/2019
CN 307324125 * 1/2022

(Continued)

(72) Inventor: **Junhong Deng, Shanghai (CN)**

OTHER PUBLICATIONS

(**) Term: **15 Years**

OMMO Store, Metal Detectors, Date first available 2022, [online]retrieved Sep. 27, 2022, available from https://www.amazon.com/dp/B09N9GVF98/ref=sspa_dk_detail_8?pf_rd_p=dd2c6db7-6626-466d-bf04-9570e69a7df0&pf_rd_r=D24VTAT7A8XHVB3 (Year: 2022).*

(21) Appl. No.: **29/792,584**

(22) Filed: **Apr. 7, 2022**

(Continued)

(51) **LOC (14) Cl.** **10-04**

(52) **U.S. Cl.**
USPC **D10/47**

(58) **Field of Classification Search**
USPC D10/47

CPC G01B 21/08; G01B 11/002; G01B 7/26;
G01B 5/24; G01B 11/00; G01B 21/16;
G01V 3/10; G01V 3/087; G01V 3/081;
G01V 3/165; G01V 3/088; G01V 3/40;
G01V 3/08; G01V 3/15; G01V 3/104;
G01V 3/105; G01V 3/17; G06K 9/6215;
G01C 19/00; G01P 15/08; G06V 10/143;
H04W 4/029; H04W 4/02; G08B 21/24
See application file for complete search history.

Primary Examiner — Keli L Hill
Assistant Examiner — Sara S Sahneh

(57) **CLAIM**

The ornamental design for a metal detector handle, as shown and described.

DESCRIPTION

FIG. 1 is a rear and top perspective view of a metal detector handle, showing my new design;
FIG. 2 is a front and bottom perspective view thereof;
FIG. 3 is a front elevation view thereof;
FIG. 4 is a rear elevation view thereof;
FIG. 5 is a left side elevation view thereof;
FIG. 6 is a right side elevation view thereof;
FIG. 7 is a top plan view thereof;
FIG. 8 is a bottom plan view thereof;
FIG. 9 is an enlarged view of a portion indicated with numeric 9 in FIG. 1; and,
FIG. 10 is an enlarged view of a portion indicated with numeric 10 in FIG. 2.

The broken lines in the figures illustrate portions of the metal detector handle that form no part of the claimed design. The dash dot dash lines in FIGS. 1, 2, 9 and 10 are for the purpose of depicting the boundary lines of the enlarged views and form no part of the claimed design.

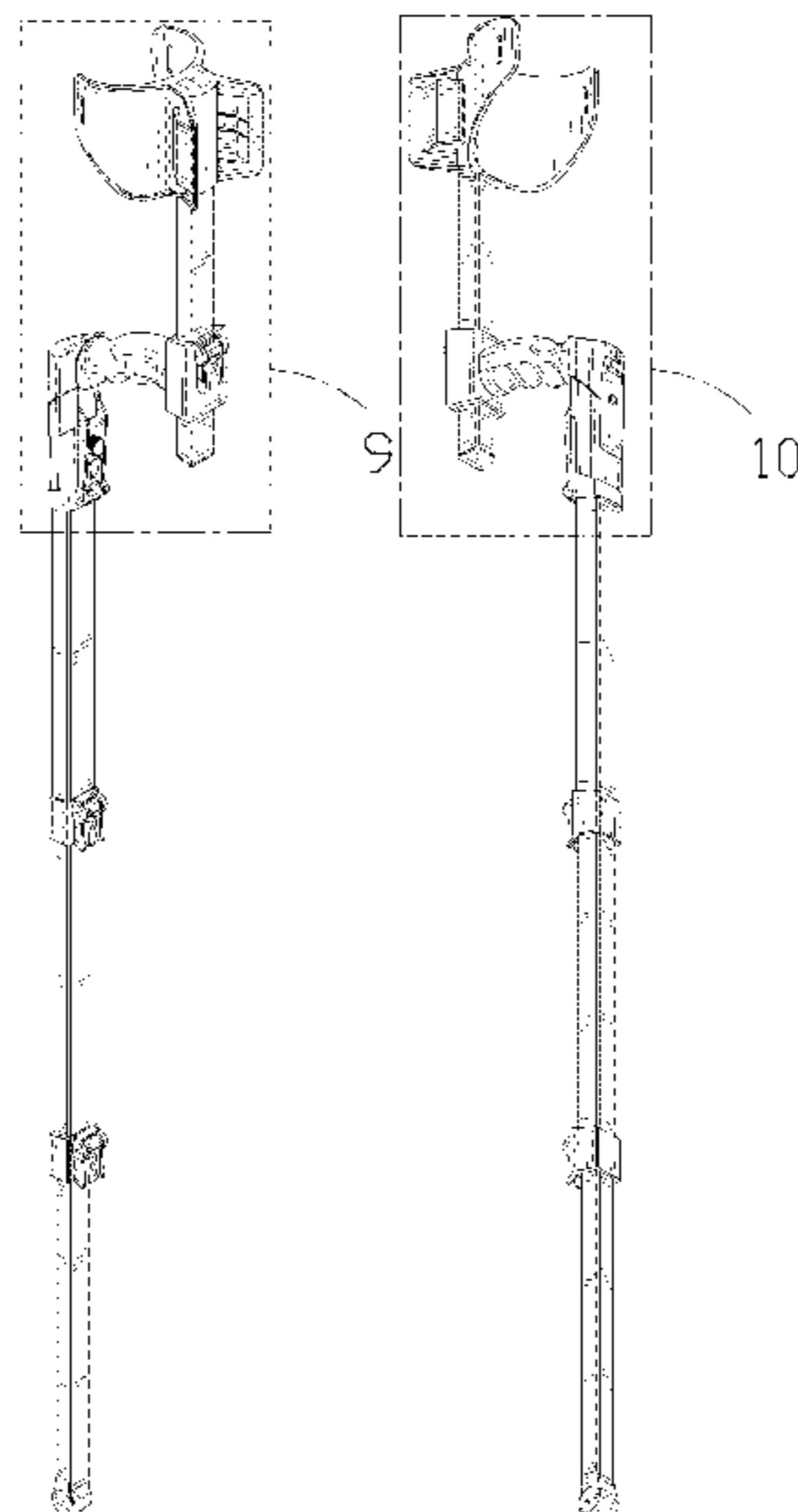
(56) **References Cited**

U.S. PATENT DOCUMENTS

D844,462 S	4/2019	Griffin et al.	
D867,170 S *	11/2019	Deng	D10/47
D873,682 S *	1/2020	Shao	D10/47
D885,940 S *	6/2020	Huang	D10/47
D887,870 S *	6/2020	Qin	D10/47
D920,139 S *	5/2021	Newport-Peace	D10/47
D927,994 S *	8/2021	Deng	D10/47
D927,995 S *	8/2021	Deng	D10/47
D942,279 S *	2/2022	Zhang	D10/47
2005/0062476 A1 *	3/2005	Stamatescu	G01V 3/15 340/552

(Continued)

1 Claim, 10 Drawing Sheets



(56)

References Cited

U.S. PATENT DOCUMENTS

2014/0218036 A1* 8/2014 Fry G01V 3/165
324/329
2017/0299756 A1* 10/2017 Weaver G01V 3/17
2018/0252835 A1* 9/2018 Deng G08B 21/24
2022/0206179 A1* 6/2022 Gall F16B 7/14

FOREIGN PATENT DOCUMENTS

CN 307520799 * 4/2022
EM 008930465-0001 * 4/2022
EM 008930465-0003 * 4/2022
GB 9008188908-0005 * 9/2020
GB 9008188908-0007 * 9/2022

OTHER PUBLICATIONS

Vannect Power, Metal Detector, Date first available Aug. 6, 2022, [online]retrieved Sep. 21, 2022, available from https://www.amazon.com/dp/B09Q5M4BZ5/ref=sspa_dk_detail_0?pf_rd_p=bff6e147-54ad-4be3-b4ea-ec19ea6167f7&pf_rd_r=WAIXA1MMMT67DANNQMFY&pd_rd_wg=XRkOj&pd_rd_w=EnM8K&content-id=amzn1.sym.bff6e147- (Year: 2022).*

Garrett , Metal Detector, Date first available 2022, [online]retrieved Sep. 21, 2022, available from https://www.amazon.com/Garrett-Detector-Waterproof-Search-Pro-Pointer/dp/B01FSZGVWC/ref=sr_1_9?c=ts&keywords=Metal+Detectors&qid=1663098673&s=lawn-garden&sr=1-9&ts_id=554036 (Year: 2022).*

* cited by examiner

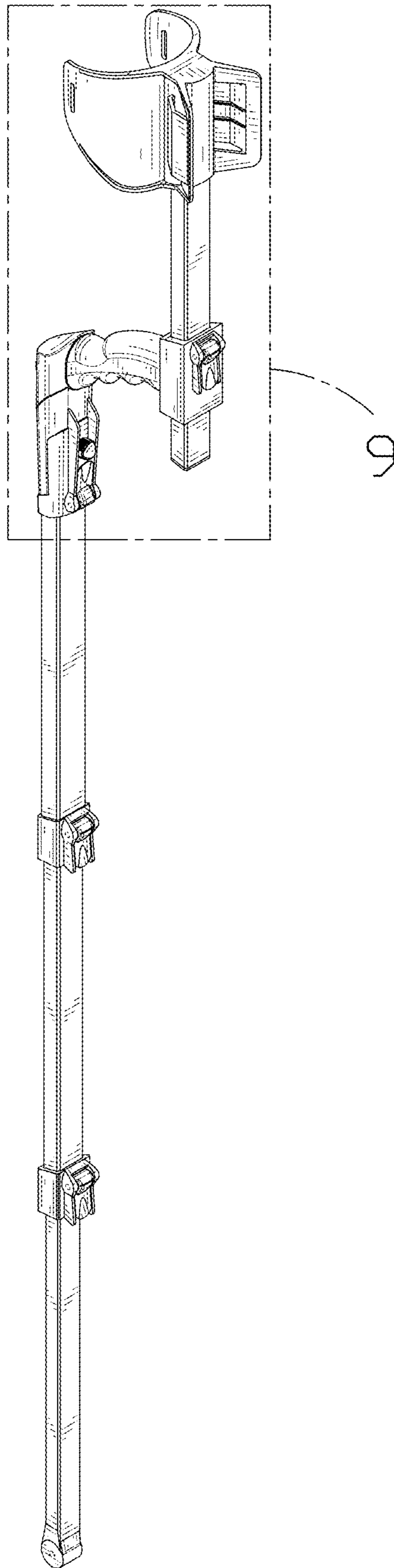


FIG. 1

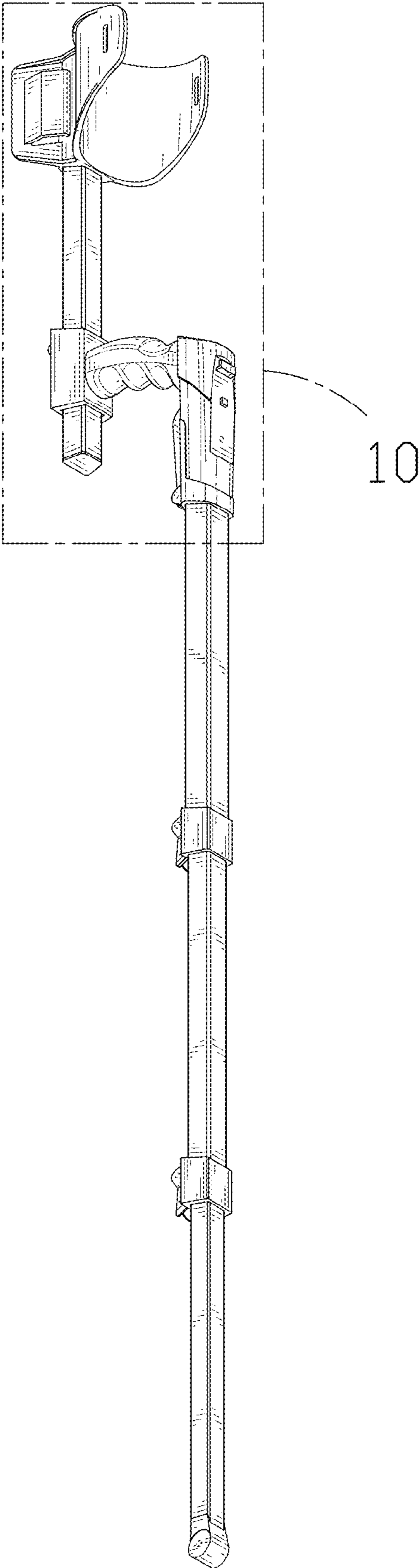


FIG. 2

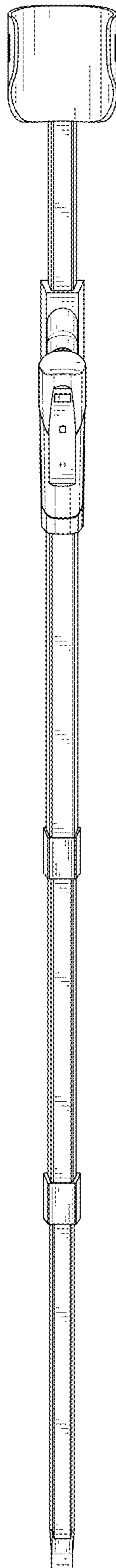


FIG. 3

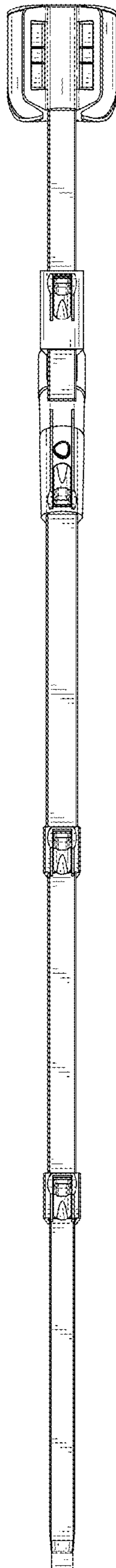


FIG. 4

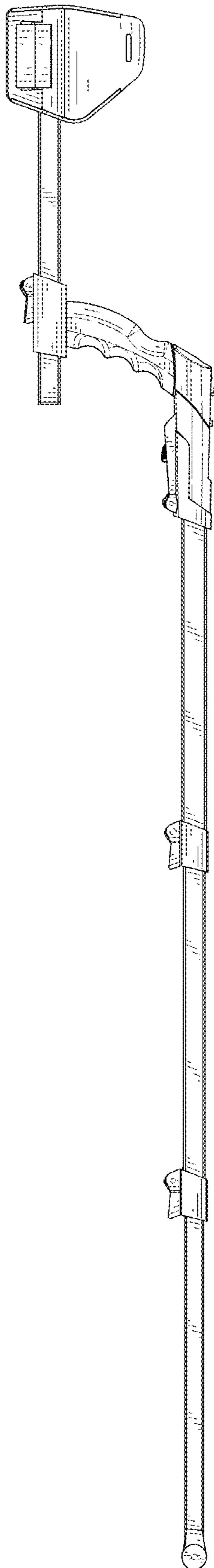


FIG. 5

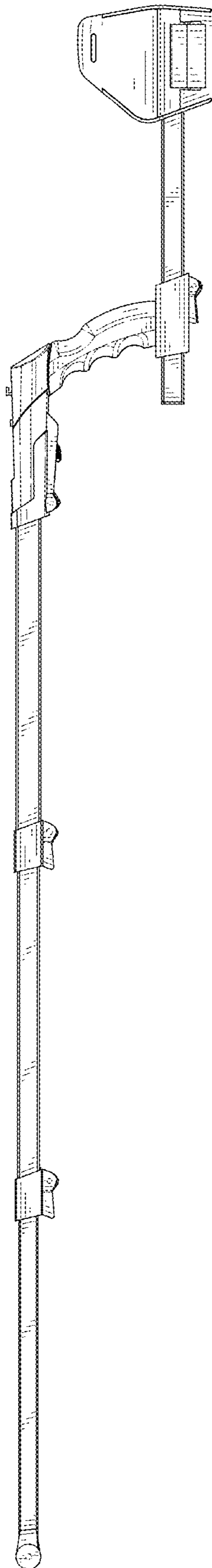


FIG. 6

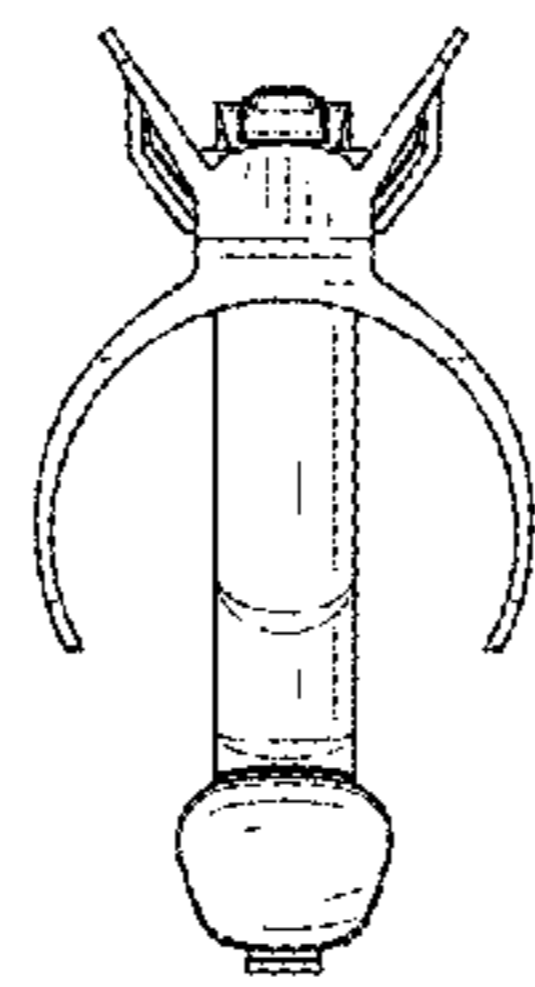


FIG. 7

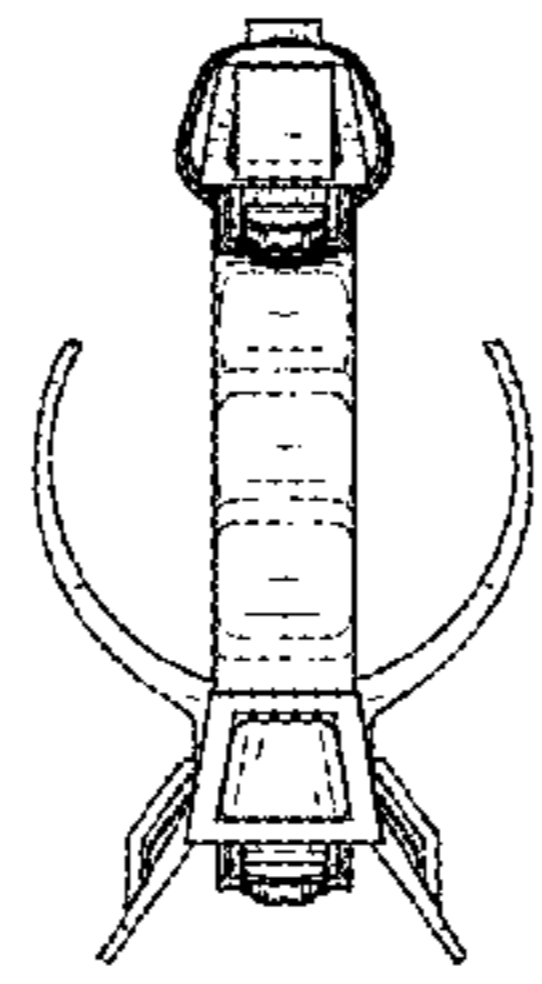


FIG. 8

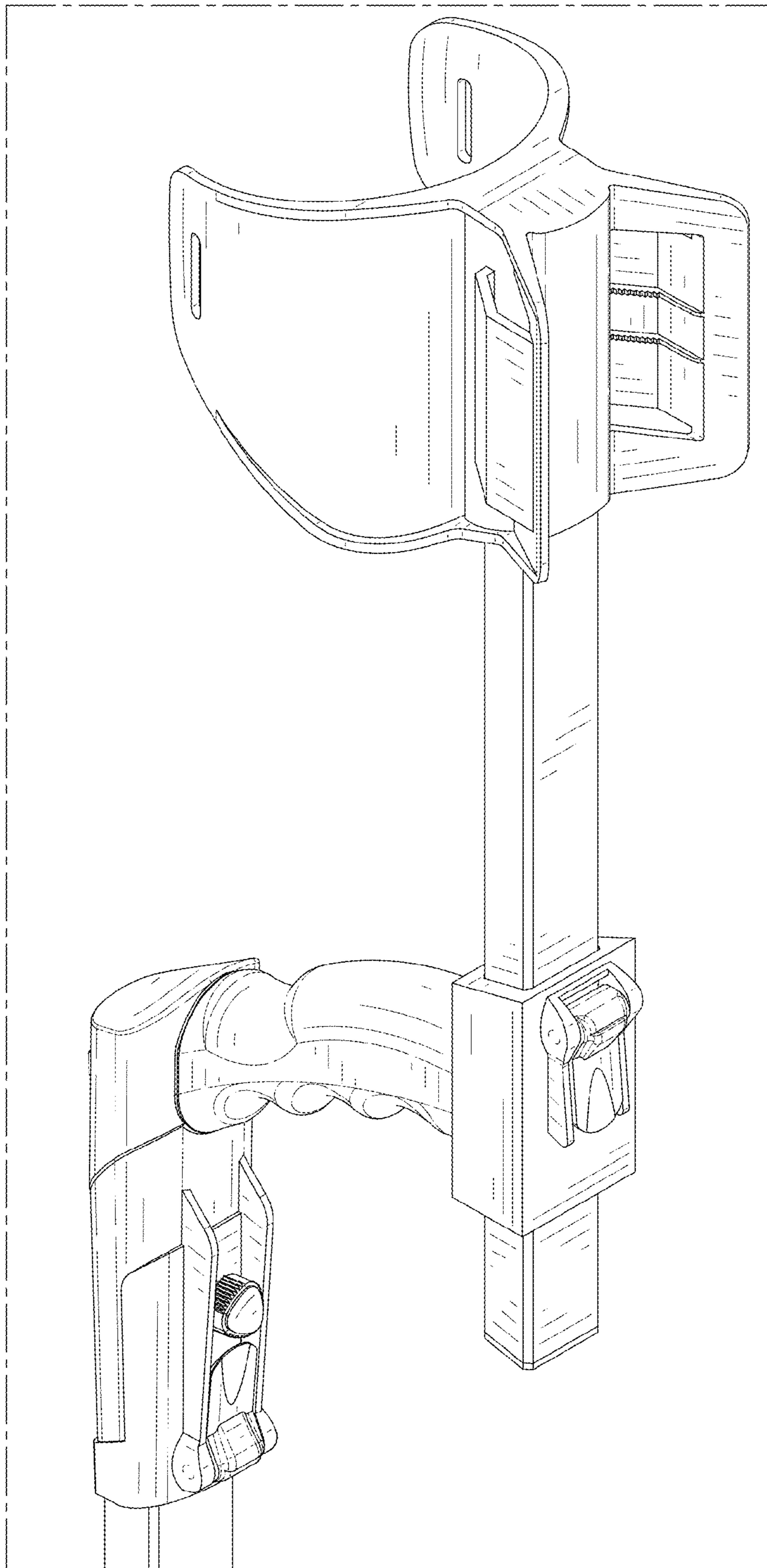


FIG. 9

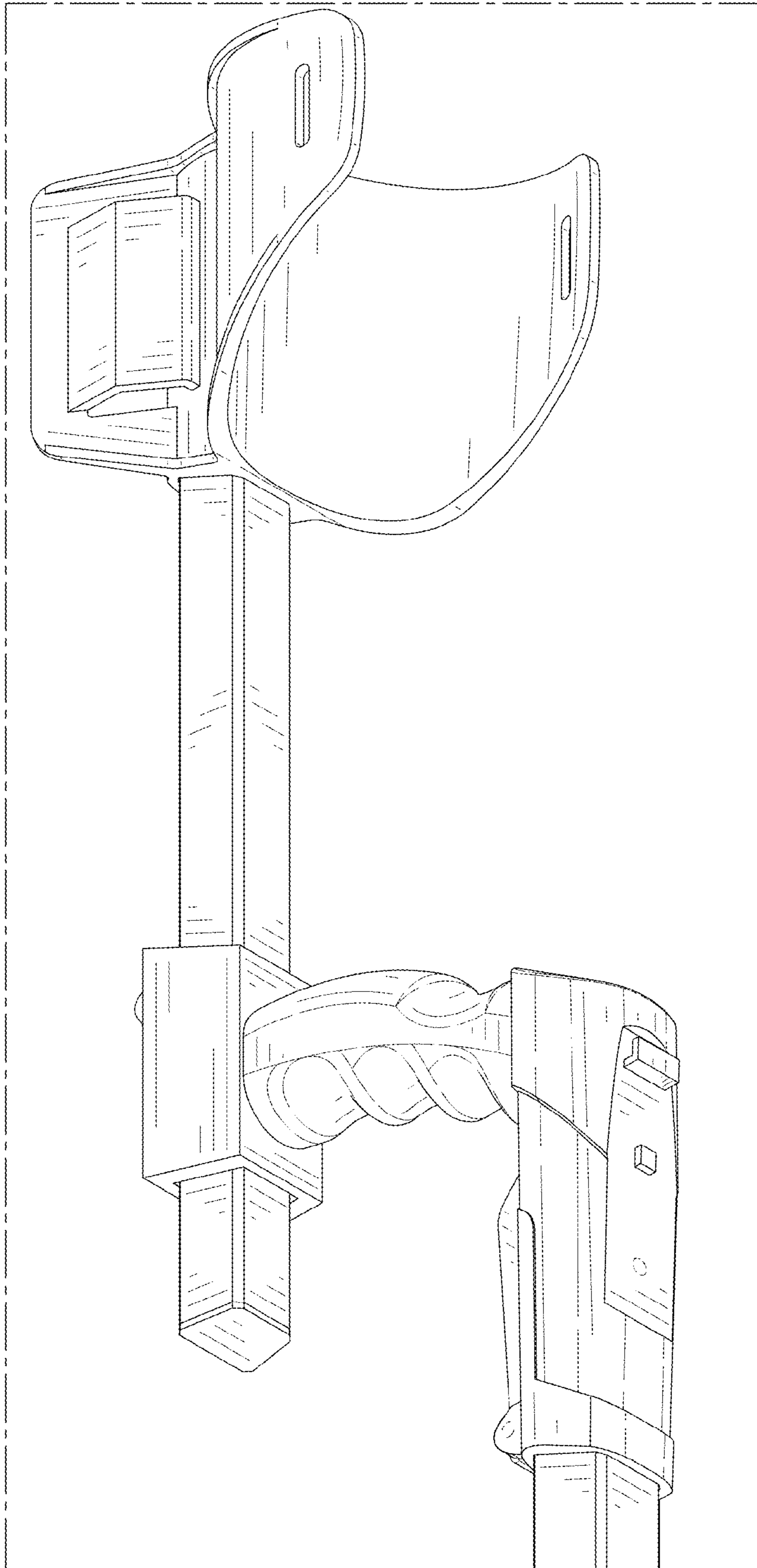


FIG. 10