



US00D974189S

(12) **United States Design Patent** (10) **Patent No.:** **US D974,189 S**
Xu (45) **Date of Patent:** **** Jan. 3, 2023**

(54) **TIMER** D915,224 S * 4/2021 Rogers D10/40
D933,501 S * 10/2021 Chi D10/40
(71) Applicant: **Jie Xu**, Tongshan (CN) D933,502 S 10/2021 Chi
D933,503 S 10/2021 Chi
(72) Inventor: **Jie Xu**, Tongshan (CN) D938,834 S 12/2021 Rogers et al.
D940,574 S * 1/2022 Otani D10/40
D950,397 S * 5/2022 Zhu D10/40
(**) Term: **15 Years** D956,582 S * 7/2022 Rogers G09B 19/12
D10/40

(21) Appl. No.: **29/838,145**

(22) Filed: **May 11, 2022**

(51) **LOC (14) Cl.** **10-03**

(52) **U.S. Cl.**
USPC **D10/40; D8/312**

(58) **Field of Classification Search**
USPC D10/1-2, 24, 40-41, 46.1, 103; D8/312;
D23/250
CPC . G04F 7/06; G04F 7/062; G04F 7/065; G04F
7/067; G04F 8/006; G04G 13/00; G04G
13/02; G04G 13/021; G04G 13/0025
See application file for complete search history.

(56) **References Cited**

U.S. PATENT DOCUMENTS

D67,687 S * 6/1925 Edwards D8/312
D73,043 S * 7/1927 Kulhawy D14/257
D119,892 S * 4/1940 Reissinger D8/312
D155,469 S * 10/1949 Youngbeck D13/125
D172,911 S * 8/1954 Waltman D10/1
D304,971 S * 12/1989 Yost D23/250
D328,559 S * 8/1992 Wilson D8/312
D424,401 S * 5/2000 Ziemer D8/312
D475,269 S * 6/2003 Matern D8/312
D583,686 S * 12/2008 Forakis D10/40
D770,310 S * 11/2016 Rogers D10/40
D785,471 S * 5/2017 Rogers D10/40
D796,349 S * 9/2017 Rogers D10/40
D880,977 S * 4/2020 Kukucka D8/312
D912,551 S * 3/2021 Rogers D10/40

OTHER PUBLICATIONS

Yunbaoit Visual Timer with Night Light | amazon.com; date first available Jul. 20, 2022 [online]. © 1996-2022, Amazon.com, Inc [retrieved Aug. 26, 2022] from Internet: <https://www.amazon.com/Yunbaoit-60-Minute-Countdown-Classroom-Management/dp/B0B56VKLDZ> (Year: 2022).*

(Continued)

Primary Examiner — Katherine Glennon
(74) *Attorney, Agent, or Firm* — Runit Ranjit Kanakia

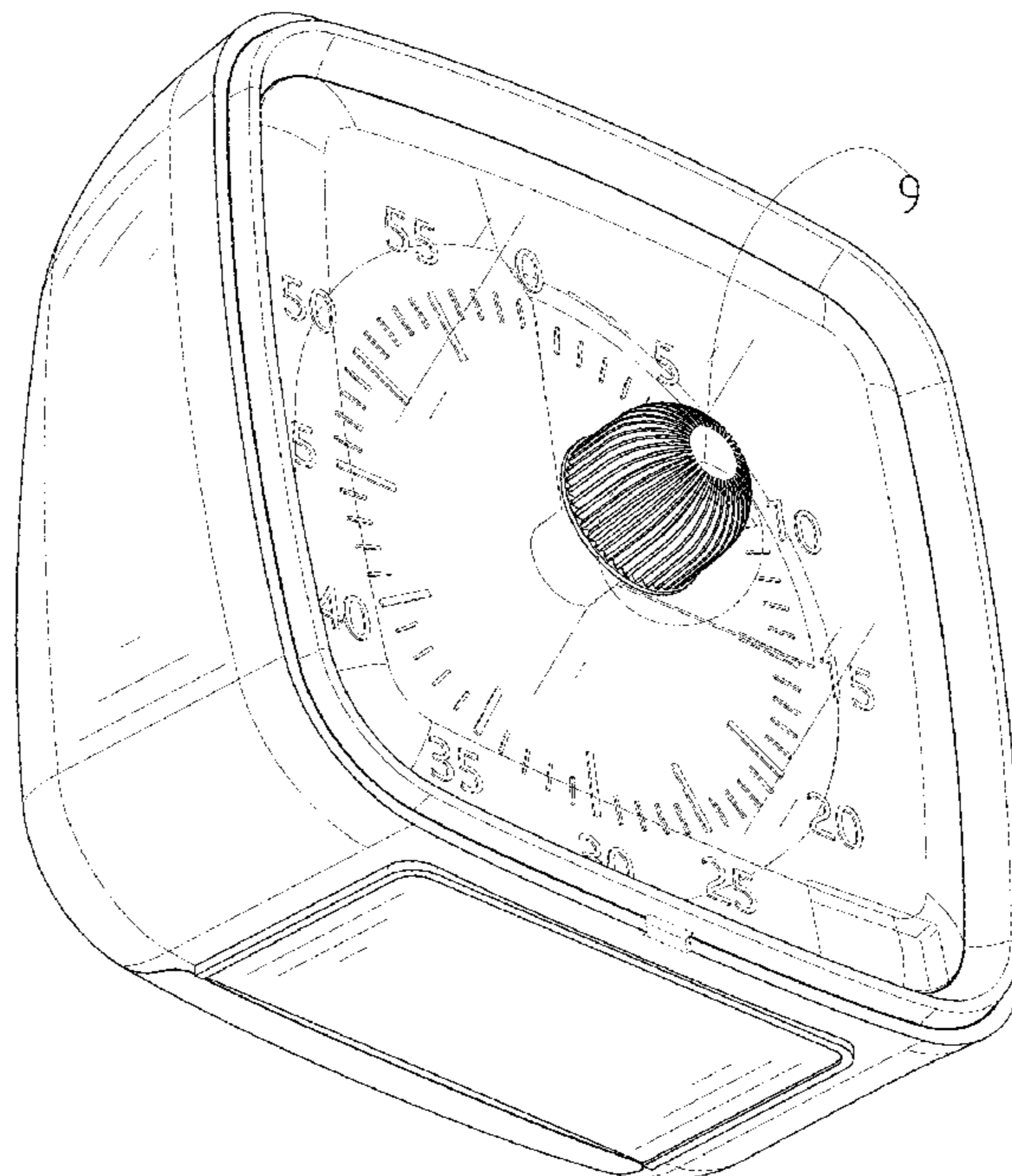
(57) **CLAIM**

The ornamental design for a timer, as shown and described.

DESCRIPTION

FIG. 1 is a first perspective view of a timer showing my new design;
FIG. 2 is a second perspective view thereof;
FIG. 3 is a front view thereof;
FIG. 4 is a back view thereof;
FIG. 5 is a left side view thereof;
FIG. 6 is a right side view thereof;
FIG. 7 is a top view thereof;
FIG. 8 is a bottom view thereof; and,
FIG. 9 is an enlarged view of the selected portion 9 in FIG. 1.
The broken lines shown in the drawings depict portions of the timer that form no part of the claimed design.

1 Claim, 9 Drawing Sheets



(56)

References Cited

OTHER PUBLICATIONS

Vintage 1952 Zenith Bakelite COBRA-MATIC Tube Radio Knob | ebay.com; no posting date, circa 1952 [online]. © 1995-2022 [retrieved Aug. 26, 2022] from Internet: <<https://www.ebay.com/p/4052031565>> (Year: 1952).*

Vintage Zenith Tube Radio Brown Plastic Dome Ribbed Knob | ebay.com; no posting date, circa 1950s [online]. © 1995-2022 [retrieved Aug. 26, 2022] from Internet: <<https://www.ebay.com/itm/363684927228>> (Year: 1950).*

Radio Knobs | oldradioparts.com; no posting date, circa 1920s-1970s [online]. [retrieved Aug. 26, 2022] from Internet: <<http://www.oldradioparts.com/knobs.htm>> (Year: 1970).*

* cited by examiner

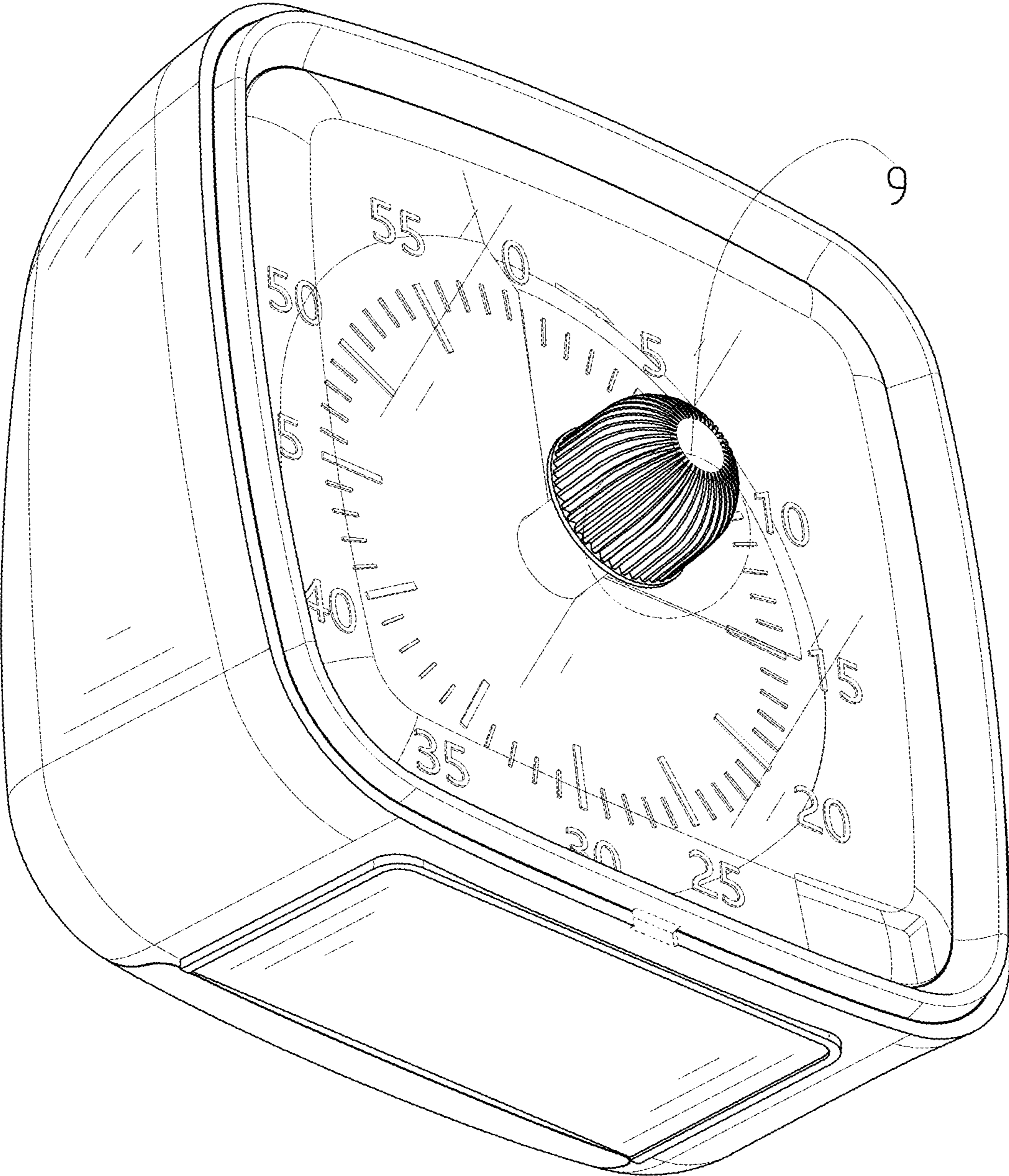


FIG. 1

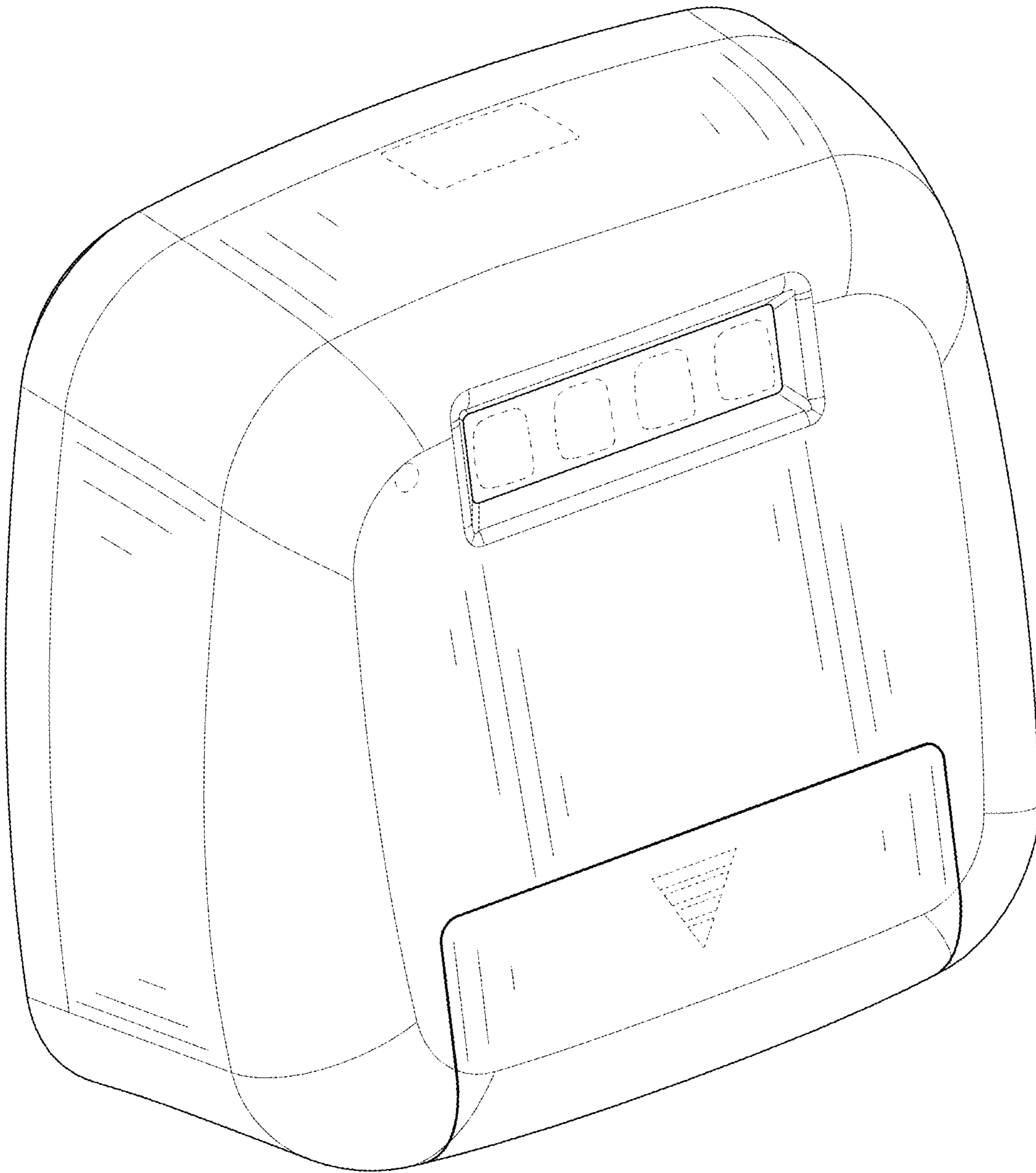


FIG. 2

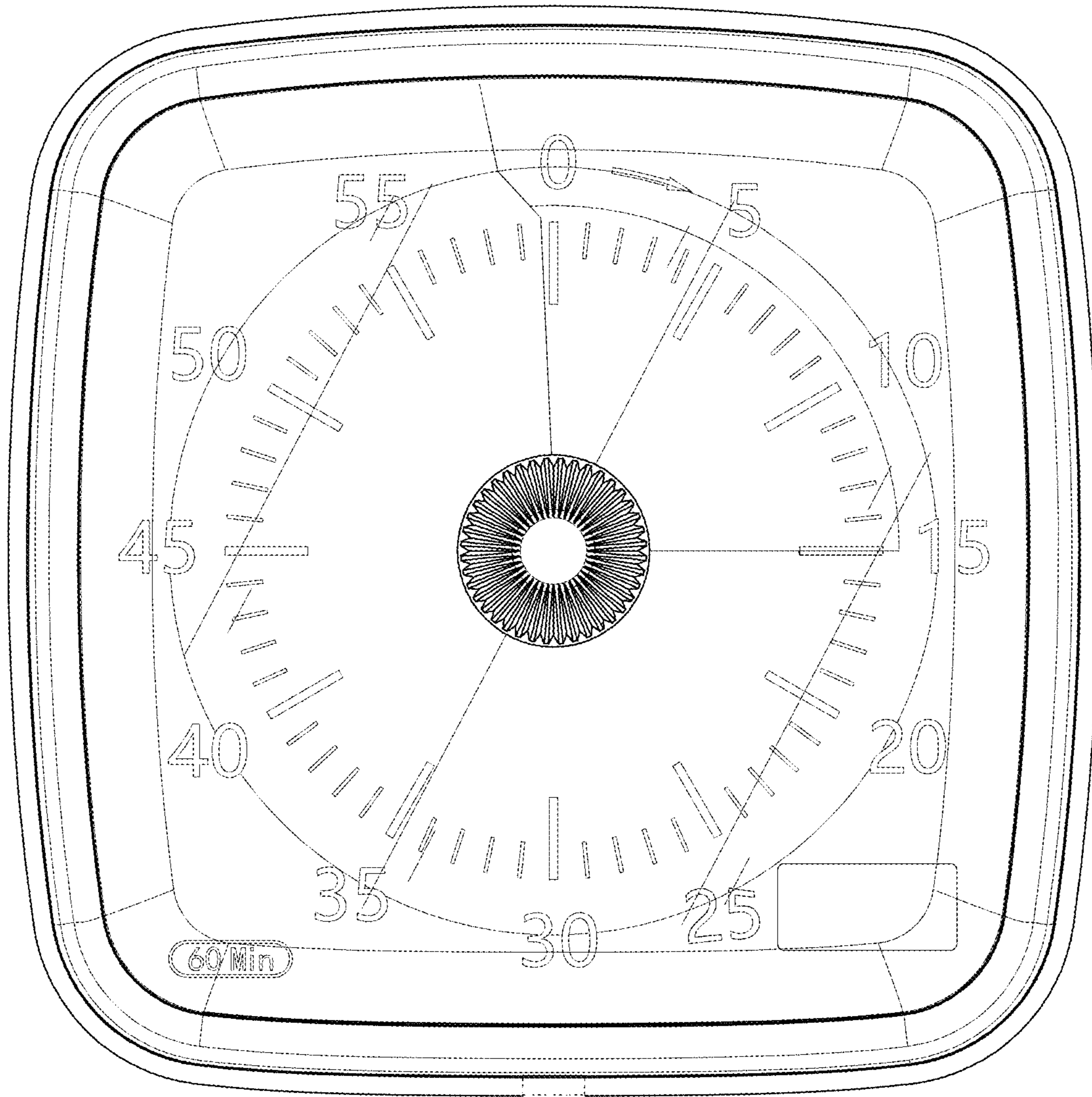


FIG. 3

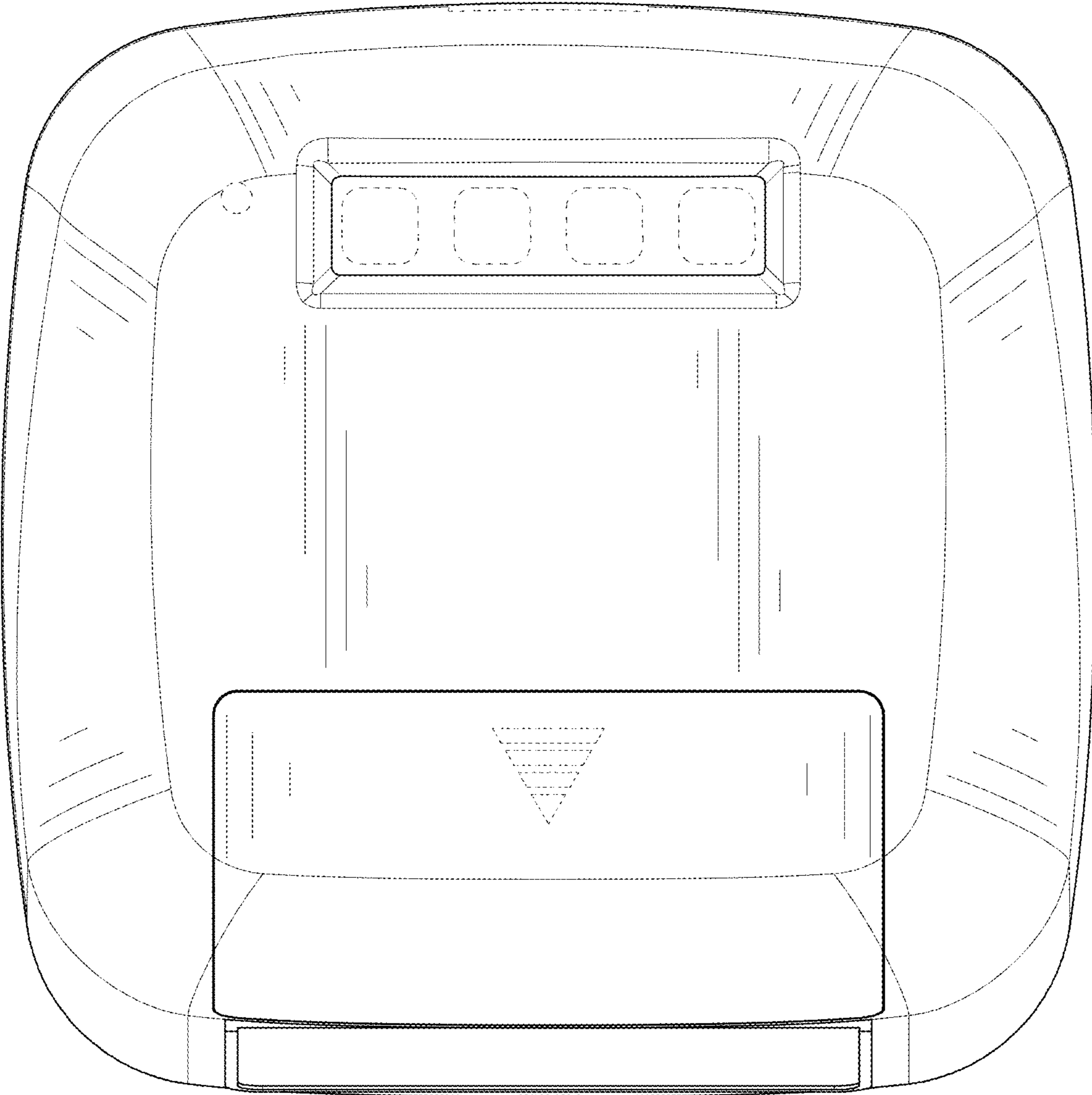


FIG. 4

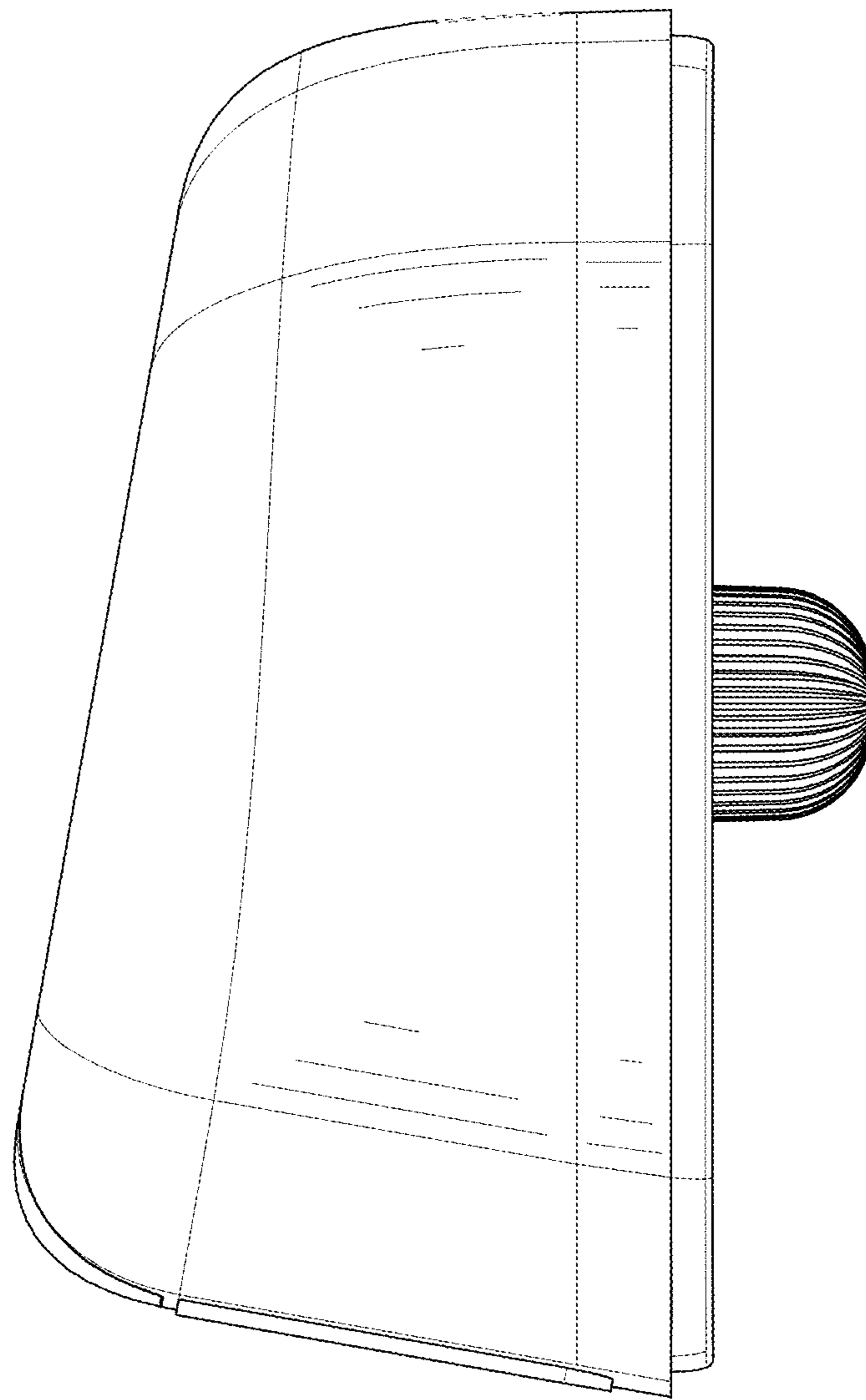


FIG. 5

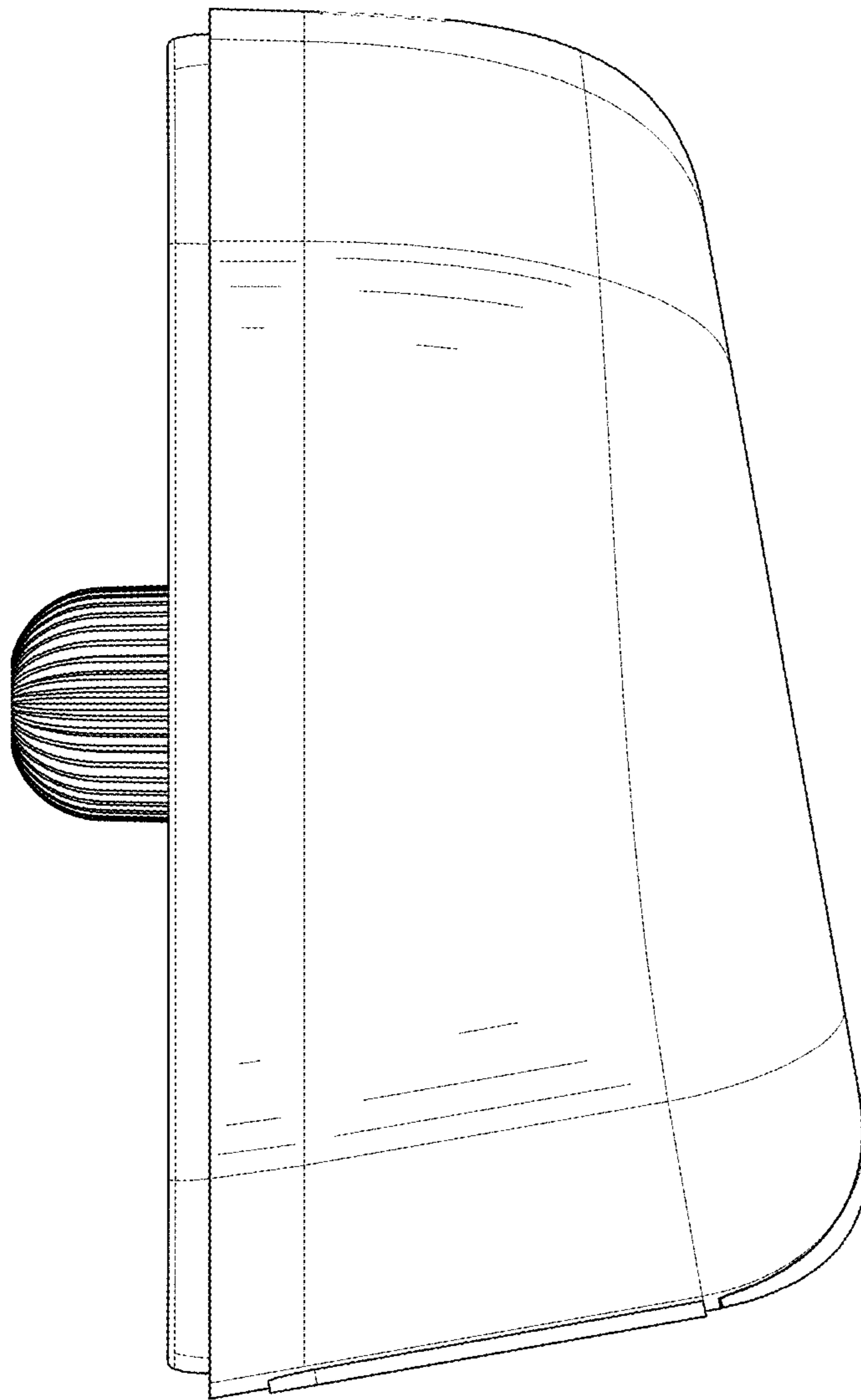


FIG. 6

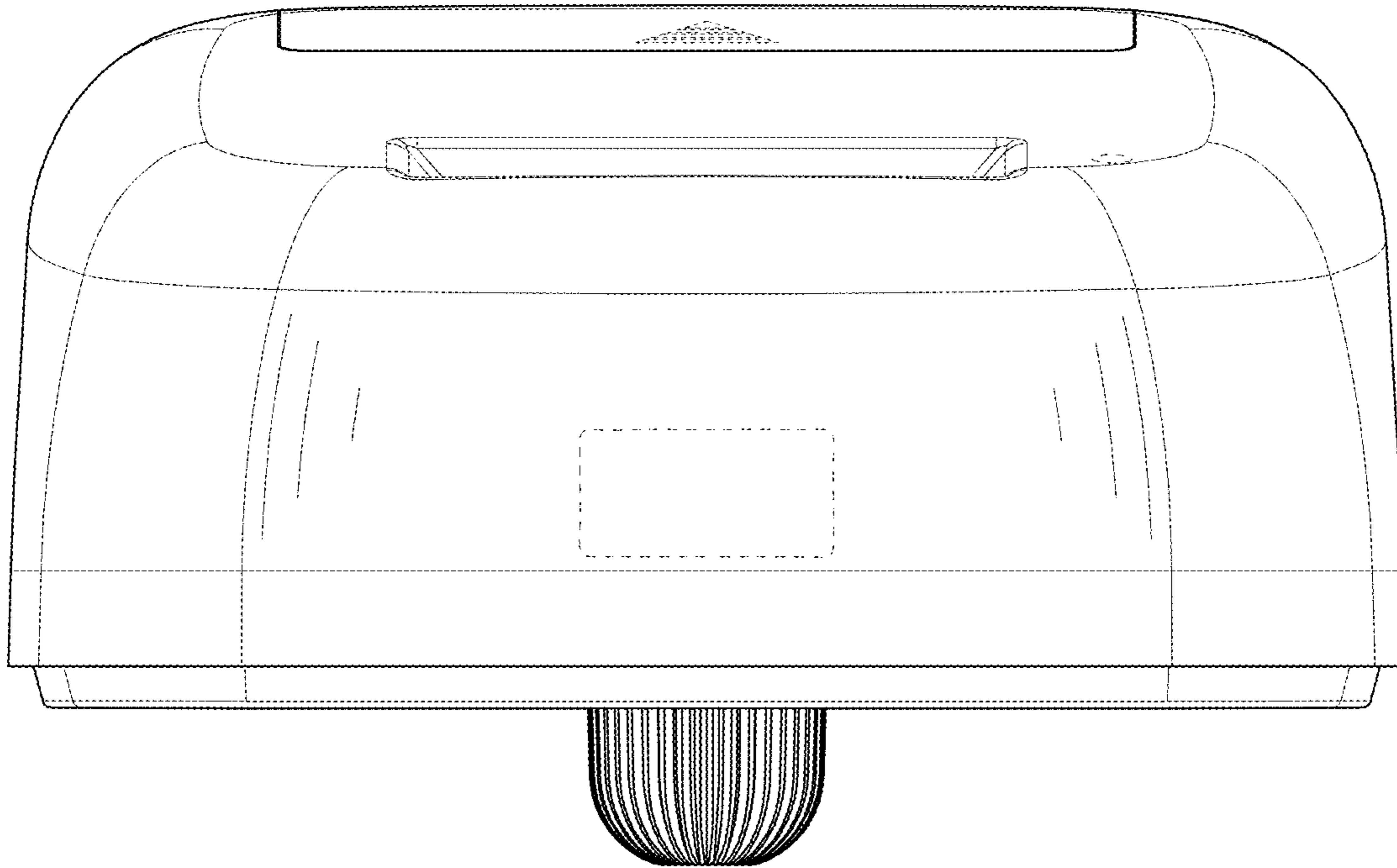


FIG. 7

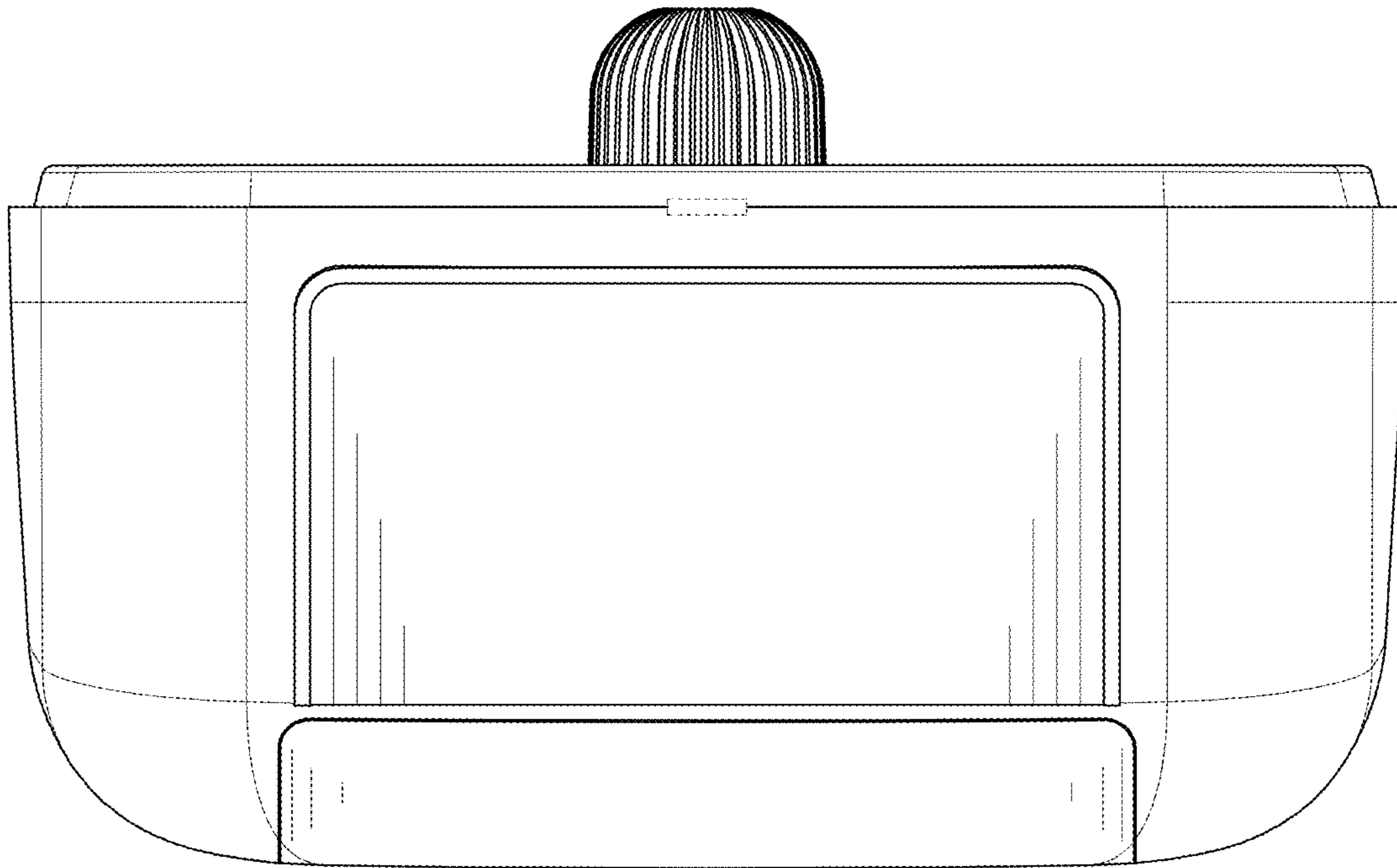


FIG. 8

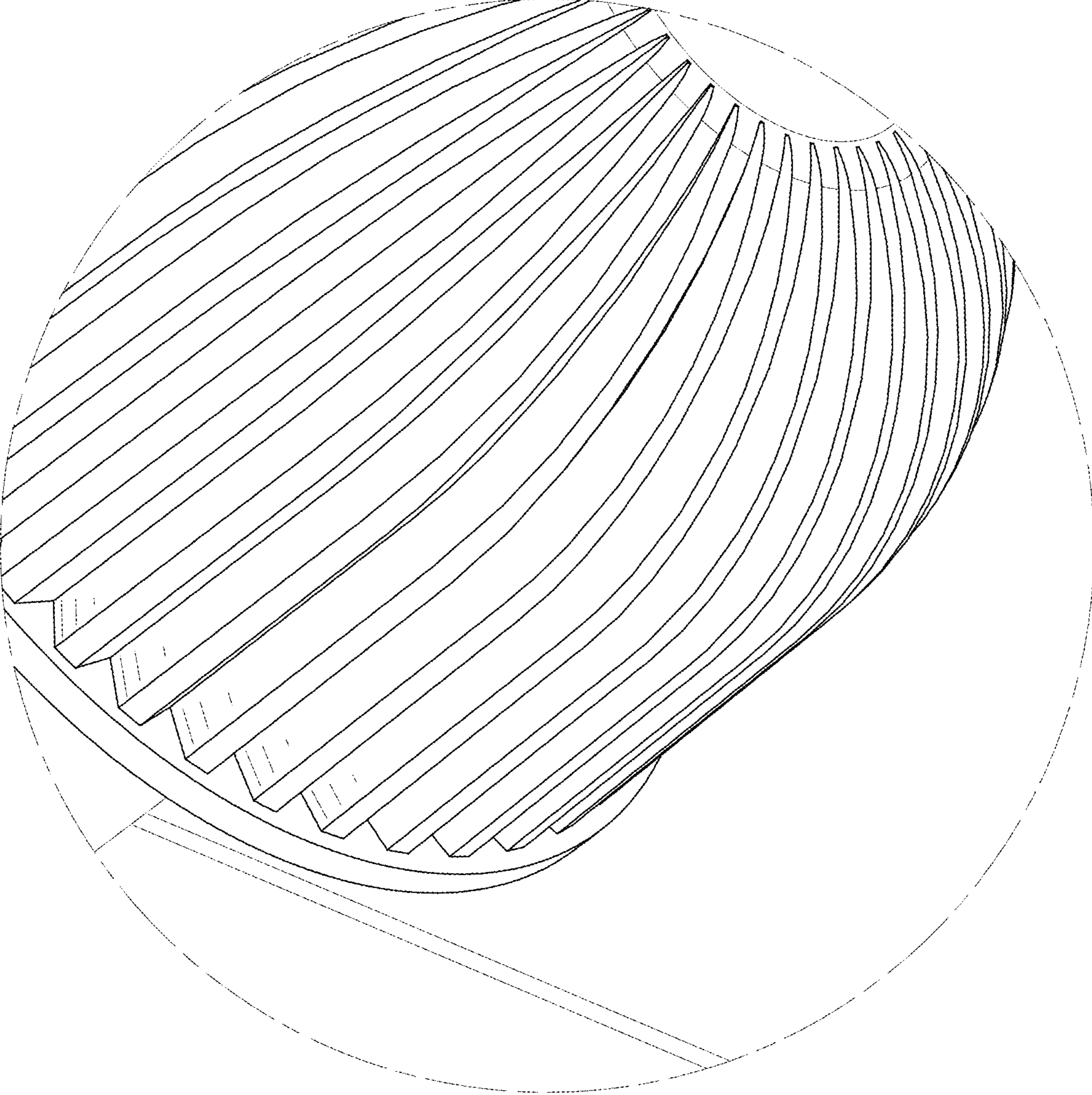


FIG. 9