



US00D974186S

(12) **United States Design Patent**
Mille

(10) **Patent No.:** **US D974,186 S**
(45) **Date of Patent:** **** Jan. 3, 2023**

- (54) **WATCH**
- (71) Applicant: **Turlen Holding SA**, Les Breuleux (CH)
- (72) Inventor: **Richard Mille**, Moulins (FR)
- (73) Assignee: **Turlen Holding SA**, Les Breuleux (CH)
- (**) Term: **15 Years**
- (21) Appl. No.: **29/699,123**
- (22) Filed: **Jul. 23, 2019**

D658,514 S *	5/2012	Mille	D10/39
D689,378 S *	9/2013	Mille	D10/34
D714,662 S *	10/2014	Mille	D10/39
D736,653 S *	8/2015	Mille	D10/39
D751,422 S *	3/2016	Mille	D10/39
D790,991 S *	7/2017	Mille	D10/39
D798,746 S *	10/2017	Mille	D10/39

(30) **Foreign Application Priority Data**

Feb. 26, 2019 (WO) 970010460

(51) **LOC (14) Cl.** **10-02**

(52) **U.S. Cl.**
USPC **D10/39**

(58) **Field of Classification Search**
USPC D10/30, 31, 32, 33, 34, 35, 36, 37, 38,
D10/39, 122, 123, 124, 125, 126, 128;
D11/3, 4, 12, 86
CPC G04B 37/00; G04B 37/0008; G04B 37/04;
G04B 37/18; G04B 37/22; G04B 37/10;
G04B 45/00; G04B 45/0076; G04B
45/0038; G04B 45/0061; G04B 19/00;
G04B 19/06

See application file for complete search history.

(56) **References Cited**

U.S. PATENT DOCUMENTS

D75,019 S *	5/1928	Fisher	D21/615
D77,296 S *	12/1928	Conant	D10/38
D536,748 S *	2/2007	Chuang	D21/572
D554,540 S *	11/2007	Actis-Datta	D10/38
D570,710 S *	6/2008	Wong	D10/30
D616,312 S *	5/2010	Ellia	D10/39

OTHER PUBLICATIONS

My Watchsite, RM 057 Tourbillon Dragon—Jackie Chan, posted 2012, [online], [visited Jan. 12, 2021]. Internet, <URL: <https://www.my-watchsite.com/rm-057/3201-rm-057-tourbillon-dragon-jackie-chan.html>> (Year: 2012).*

(Continued)

Primary Examiner — Samantha Wood

(74) *Attorney, Agent, or Firm* — Rothwell, Figg, Ernst & Manbeck, P.C.

(57) **CLAIM**

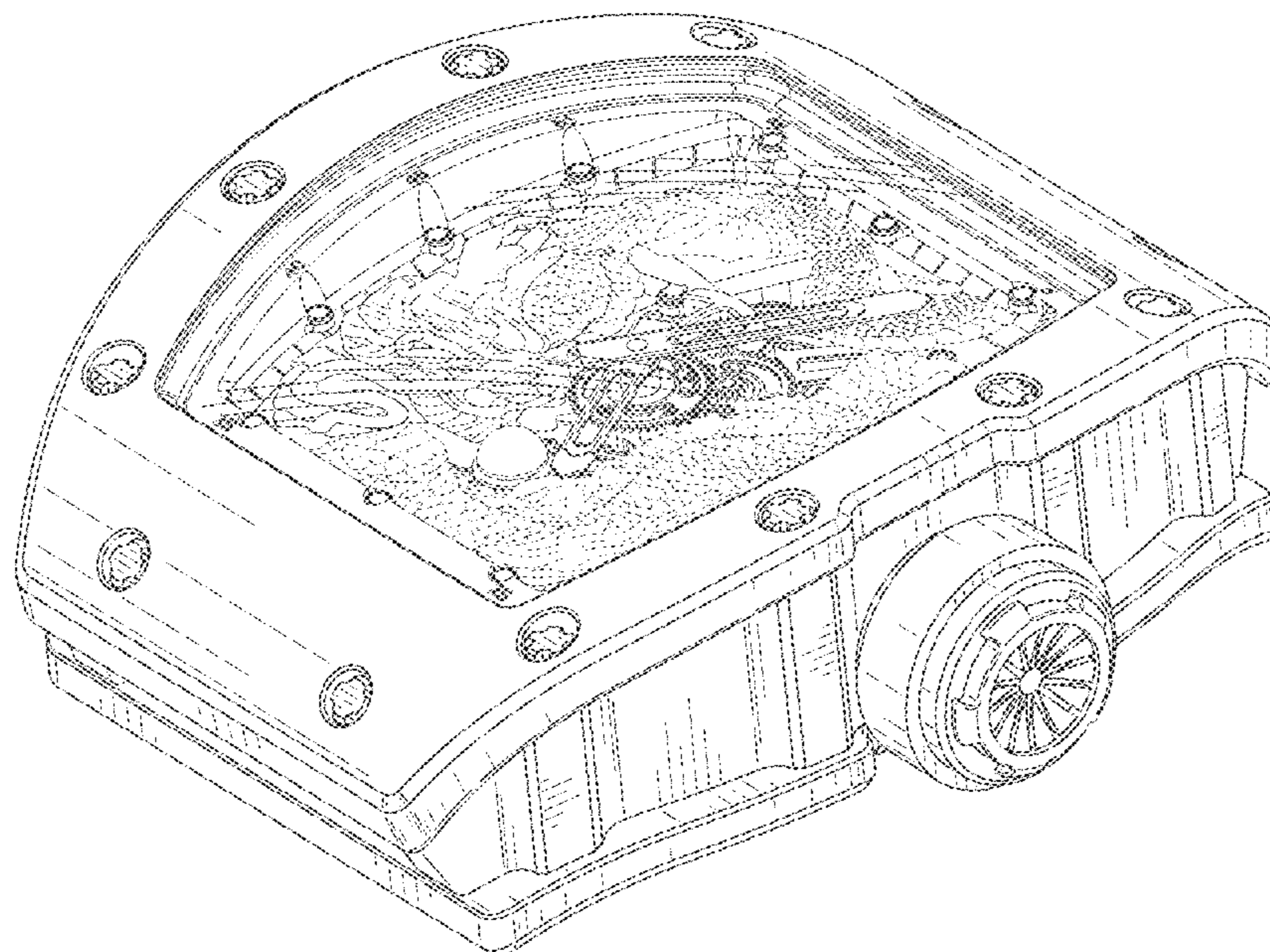
The ornamental design for a watch, as shown and described.

DESCRIPTION

FIG. 1 is a front right perspective view of a watch showing my new design;
FIG. 2 is a bottom left perspective view thereof;
FIG. 3 is a front left perspective view thereof;
FIG. 4 is a bottom right perspective view thereof;
FIG. 5 is a front view thereof;
FIG. 6 is a rear view thereof;
FIG. 7 is a left side view thereof;
FIG. 8 is a right side view thereof;
FIG. 9 is a bottom view thereof; and,
FIG. 10 is a top view thereof.

The portions of the watch shown in broken lines form no part of the claimed design.

1 Claim, 10 Drawing Sheets



(56)

References Cited

OTHER PUBLICATIONS

Amazon, MASTOP Luxury Watches Men Big Dial Dragon, posted Oct. 4, 2018, [online], [visited Jan. 12, 2021]. Internet, <URL: <https://www.amazon.com/Luxury-Watches-Fashion-Waterproof-Analogue/dp/B07XQL8CGD>> (Year: 2018).*

GeorgiaPapadon, Baselworld is coming! Corum Golden Bridge Dragon & Phoenix, posted Mar. 16, 2015, [online], [visited Jan. 12, 2021]. Internet, <URL: <http://www.georgiapapadon.com/baselworld-is-coming-corum-golden-bridge-dragon-phoenix/>> (Year: 2015).*

Revolution Watch, Enter the Richard Mille RM 57-03 Tourbillon Sapphire Dragon, posted Dec. 4, 2019, [online], [visited Feb. 4, 2022]. Internet, <URL: <https://revolutionwatch.com/enter-the-richard-mille-rm-57-03-tourbillon-sapphire-dragon/>> (Year: 2019).*

* cited by examiner

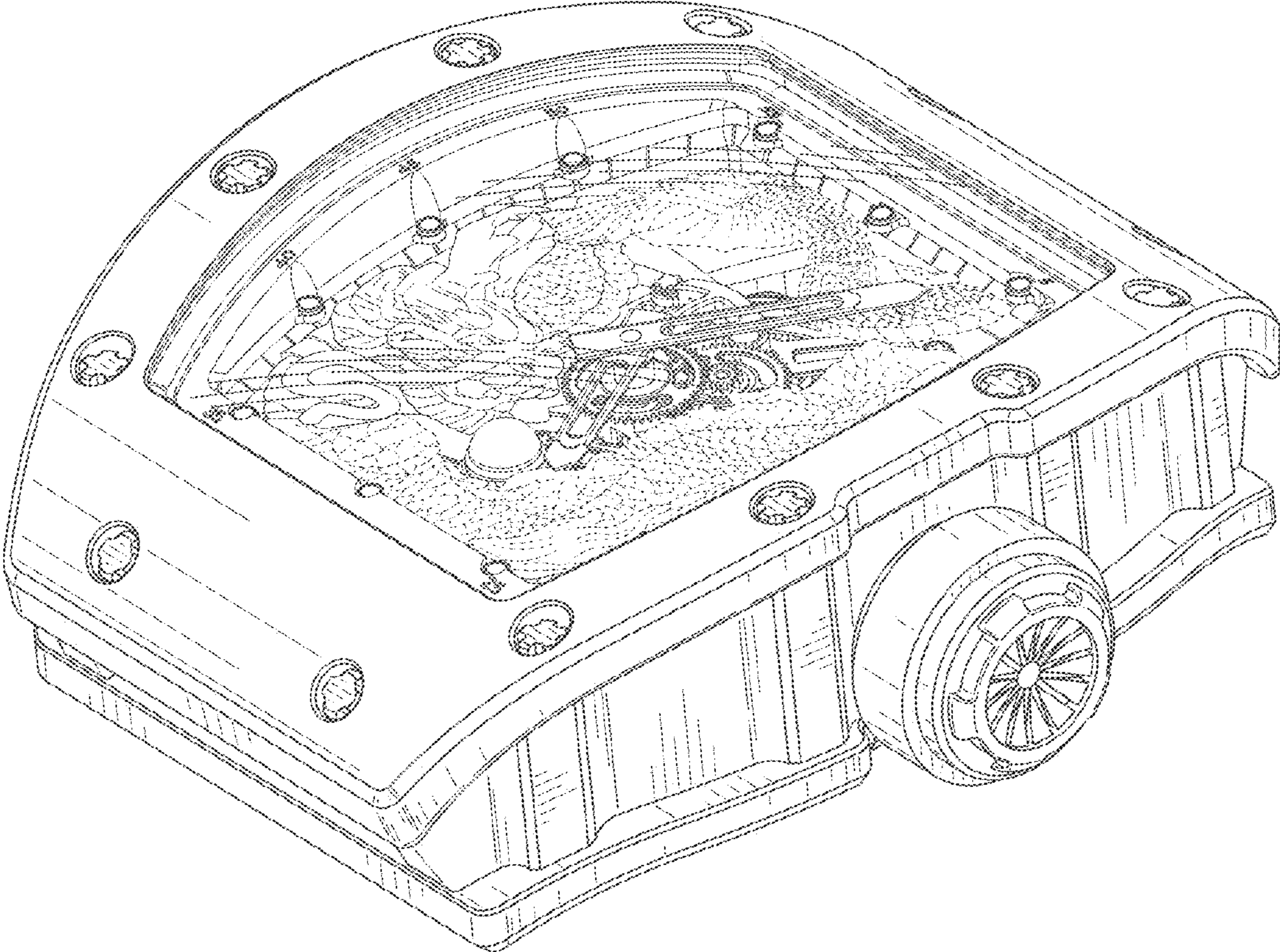


FIG. 1

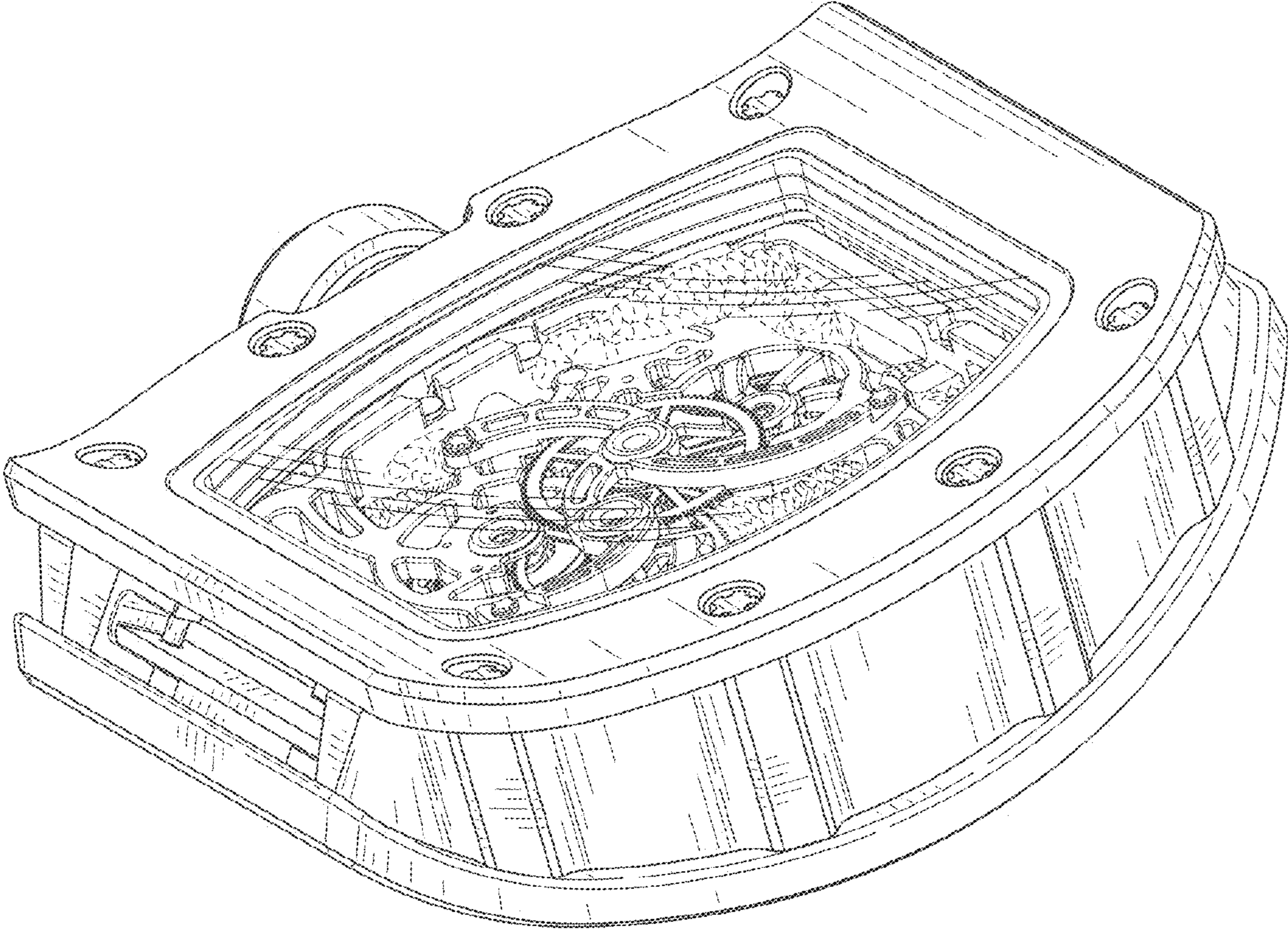


FIG. 2

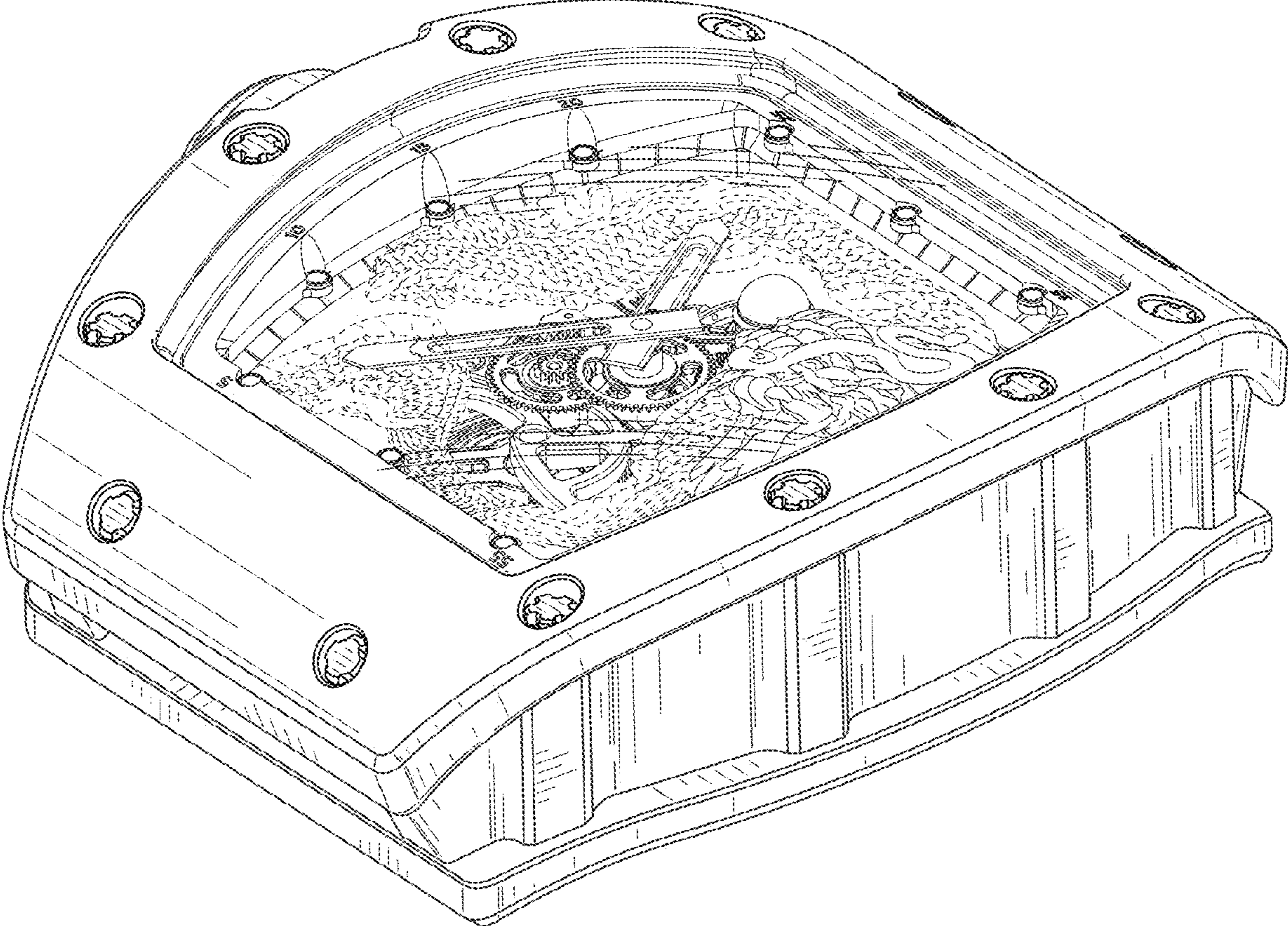


FIG. 3

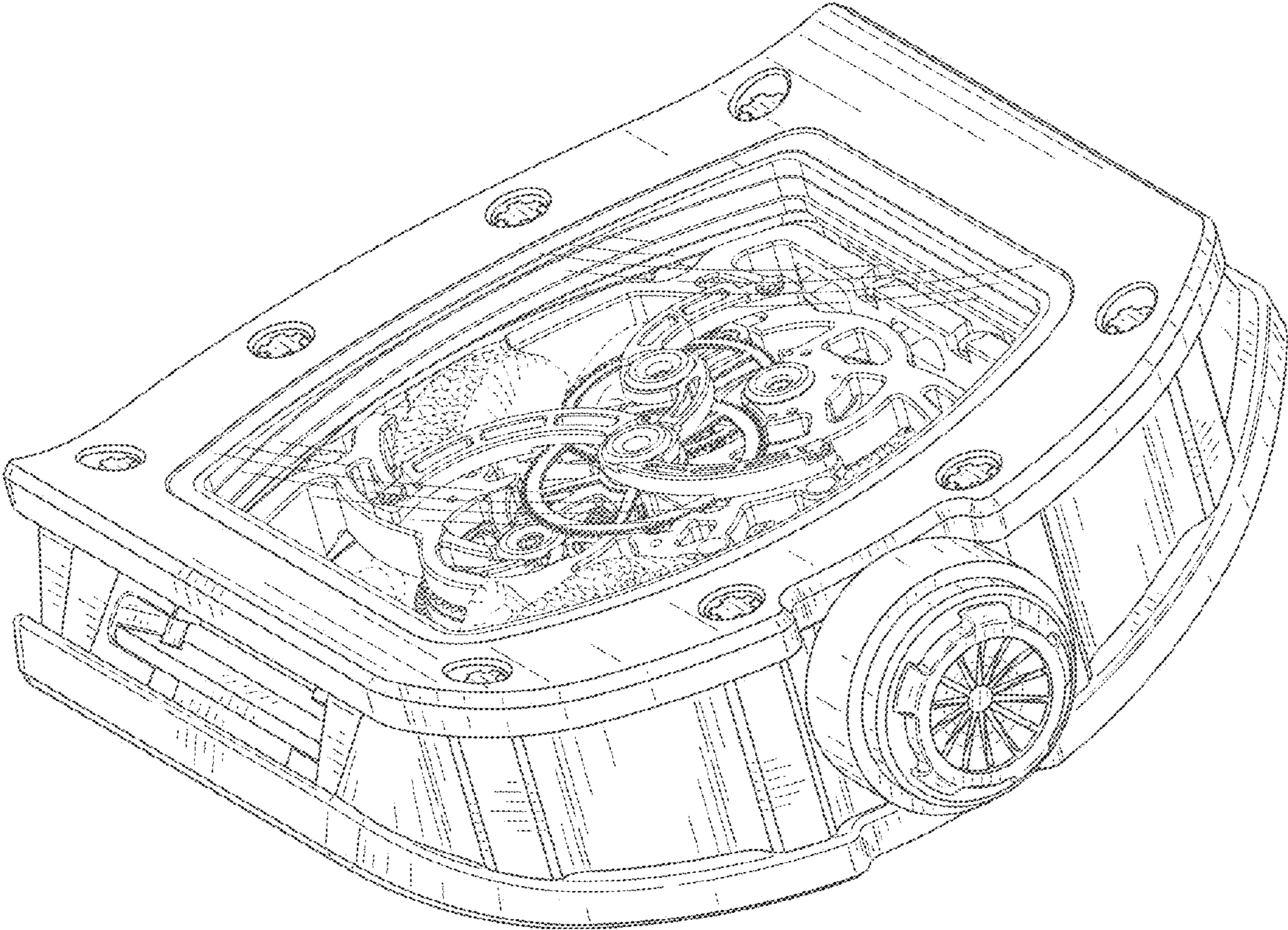


FIG. 4



FIG. 5

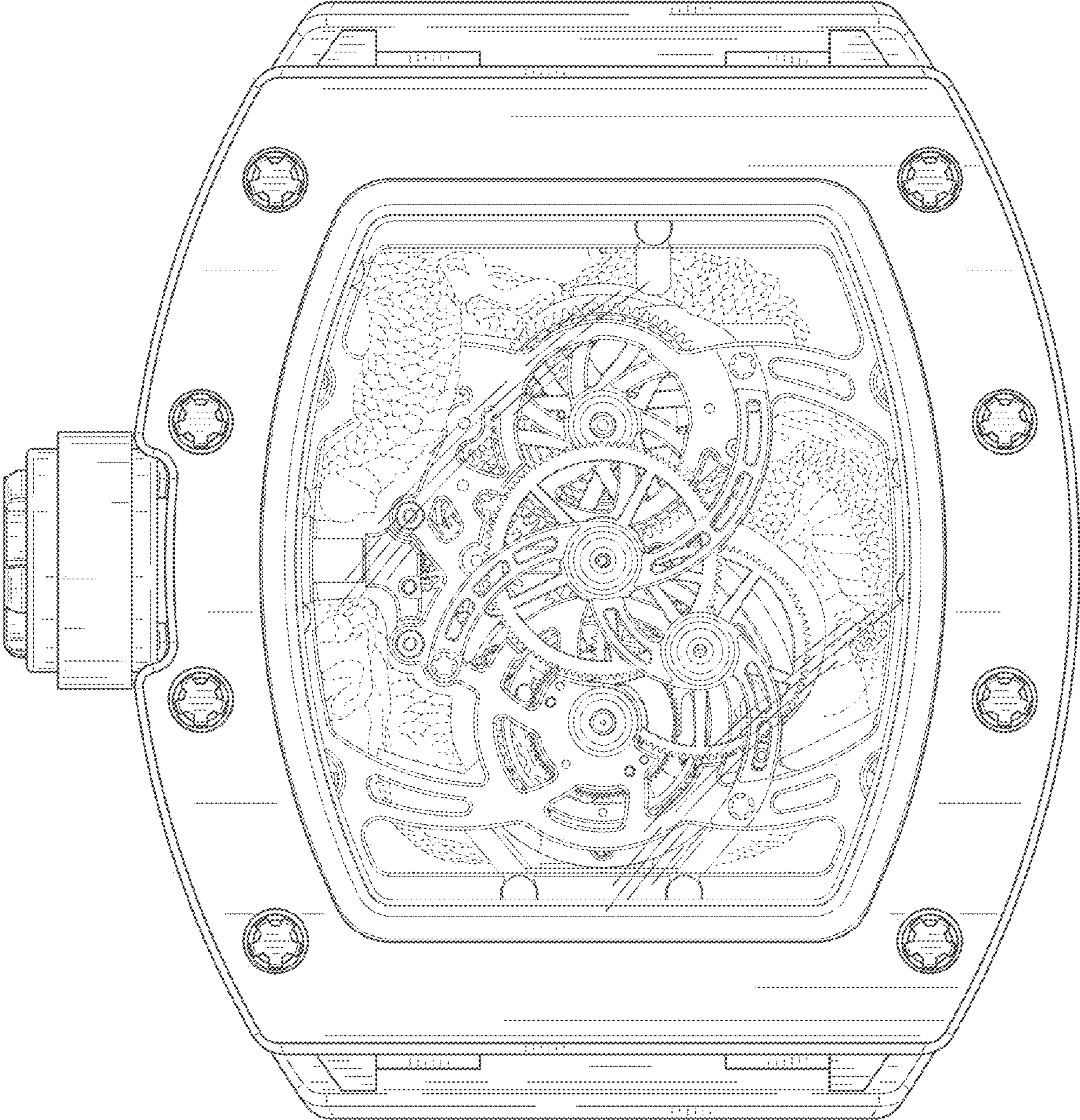


FIG. 6

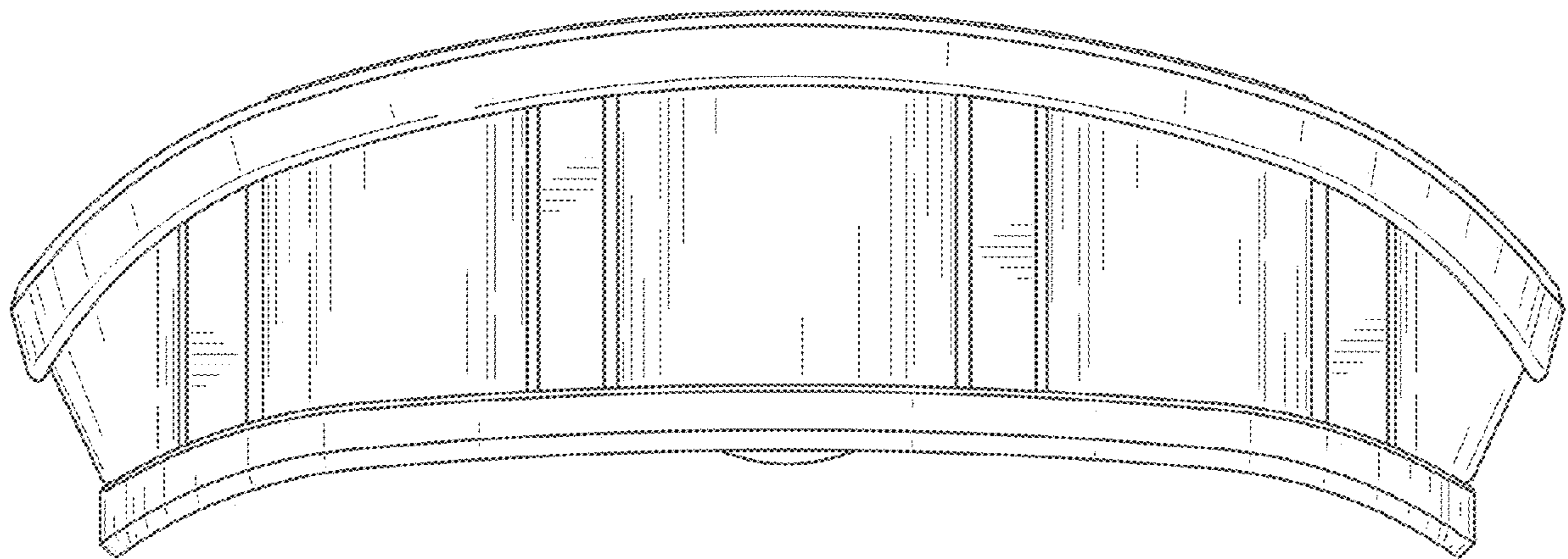


FIG. 7

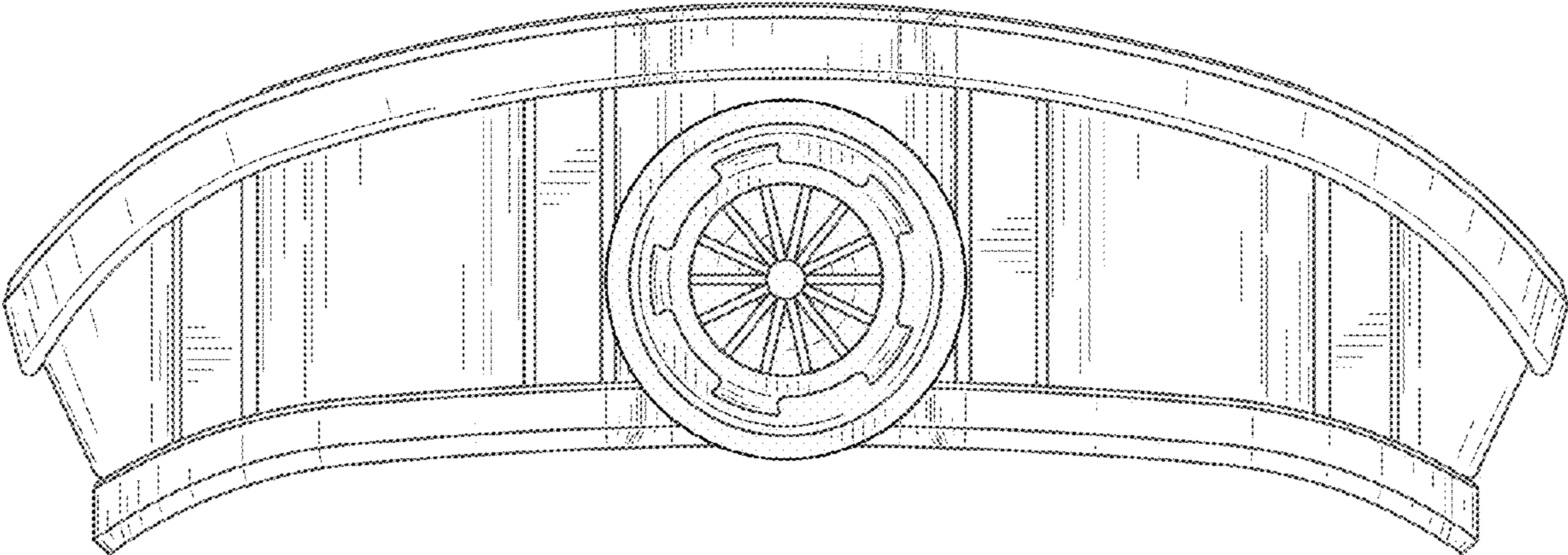


FIG. 8

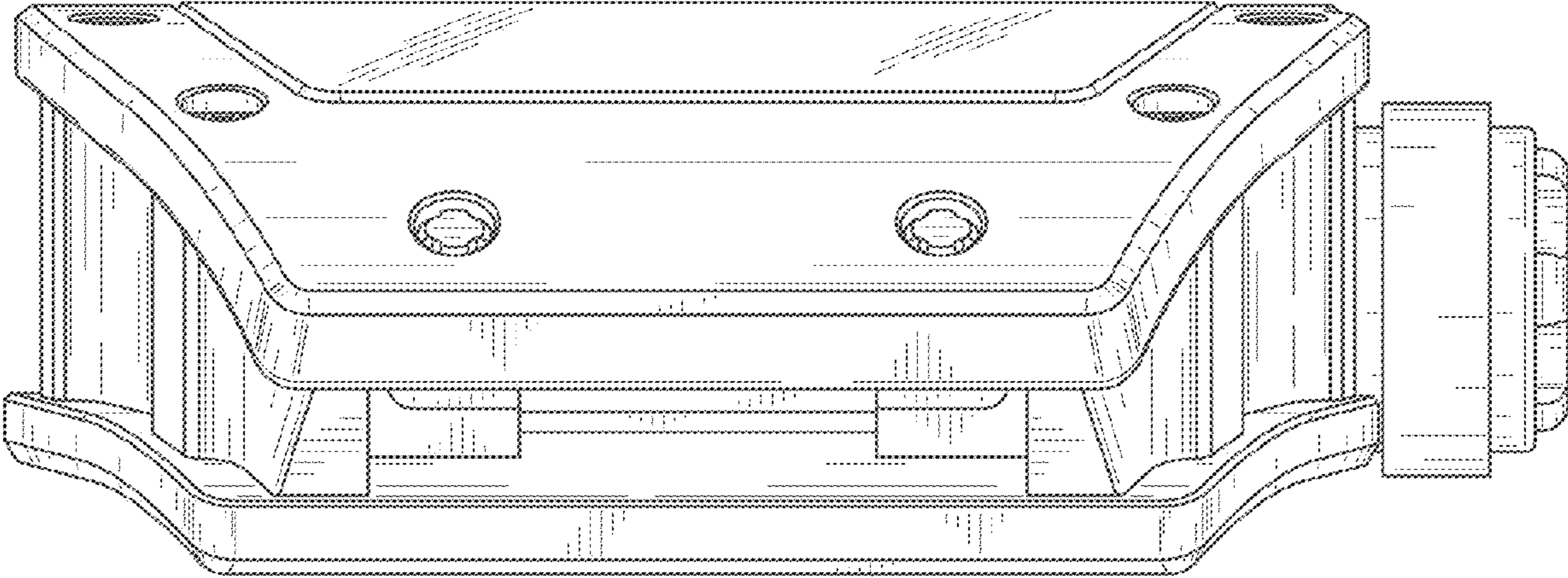


FIG. 9

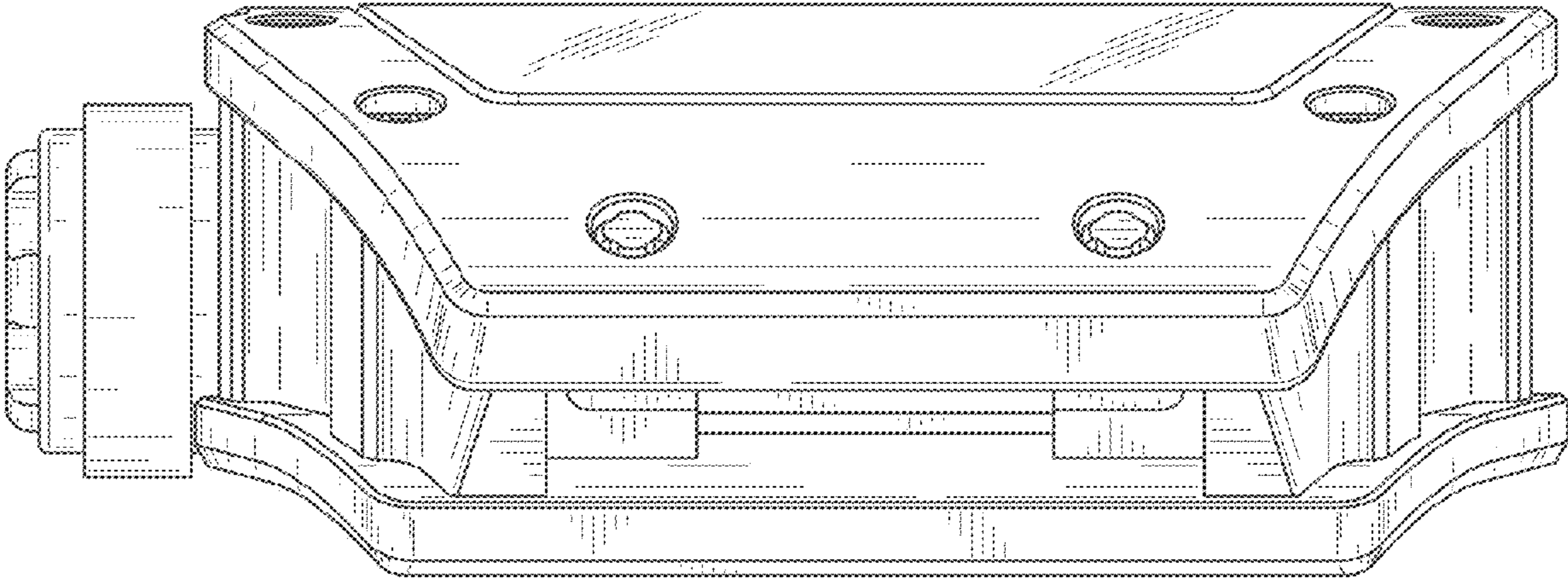


FIG. 10