



US00D974185S

(12) **United States Design Patent**
He et al.

(10) **Patent No.:** **US D974,185 S**
(45) **Date of Patent:** **** Jan. 3, 2023**

(54) **WRIST WATCH**

FOREIGN PATENT DOCUMENTS

(71) Applicant: **SHENZHEN DO INTELLIGENT TECHNOLOGY CO., LTD.**,
Guangdong (CN)

CA 202540 2/2022
CN 305550965 1/2020

(Continued)

(72) Inventors: **An He**, Guangdong (CN); **Beijie Hong**,
Guangdong (CN)

OTHER PUBLICATIONS

(73) Assignee: **SHENZHEN DO INTELLIGENT TECHNOLOGY CO., LTD.**, Shenzhen
(CN)

Casio Announces Metal Covered G-Shock GM2100 Watch |
ablogtowatch.com; posted Sep. 8, 2021 [online]. ©2007-2022.
aBlogtoWatch [retrieved Aug. 24, 2022] from Internet: <https://
www.ablogtowatch.com/casio-announces-metal-covered-g-shock-
gm2100-watch-series/> (Year: 2021).*

(Continued)

(**) Term: **15 Years**

(21) Appl. No.: **29/834,056**

(22) Filed: **Apr. 8, 2022**

Primary Examiner — Katherine Glennon

(74) *Attorney, Agent, or Firm* — Davis Wright Tremaine
LLP

(30) **Foreign Application Priority Data**

Jan. 6, 2022 (CN) 202230005439

(51) **LOC (14) Cl.** **10-02**

(52) **U.S. Cl.**
USPC **D10/32; D11/3**

(58) **Field of Classification Search**
USPC D10/30–39, 122–132; D11/3; D24/167,
D24/186

CPC A61B 5/681; A61B 5/6831; A44C 5/0007;
A44C 5/147; G04B 37/00; G04B
37/0058; G04B 37/1446; G04B 37/18;
G04B 19/00; G04B 19/02; G04B 19/025;
G04B 19/04; G04B 19/042; G04B 19/06;
G04B 19/065; G04B 19/08; G04B
19/085; G04B 19/087; G04B 45/0046;
G04B 45/0069; G04B 45/0076; G04G
17/08; G04G 17/083

See application file for complete search history.

(56) **References Cited**

U.S. PATENT DOCUMENTS

D267,548 S * 1/1983 Wada D10/38
D301,692 S * 6/1989 Wakamatsu D10/38

(Continued)

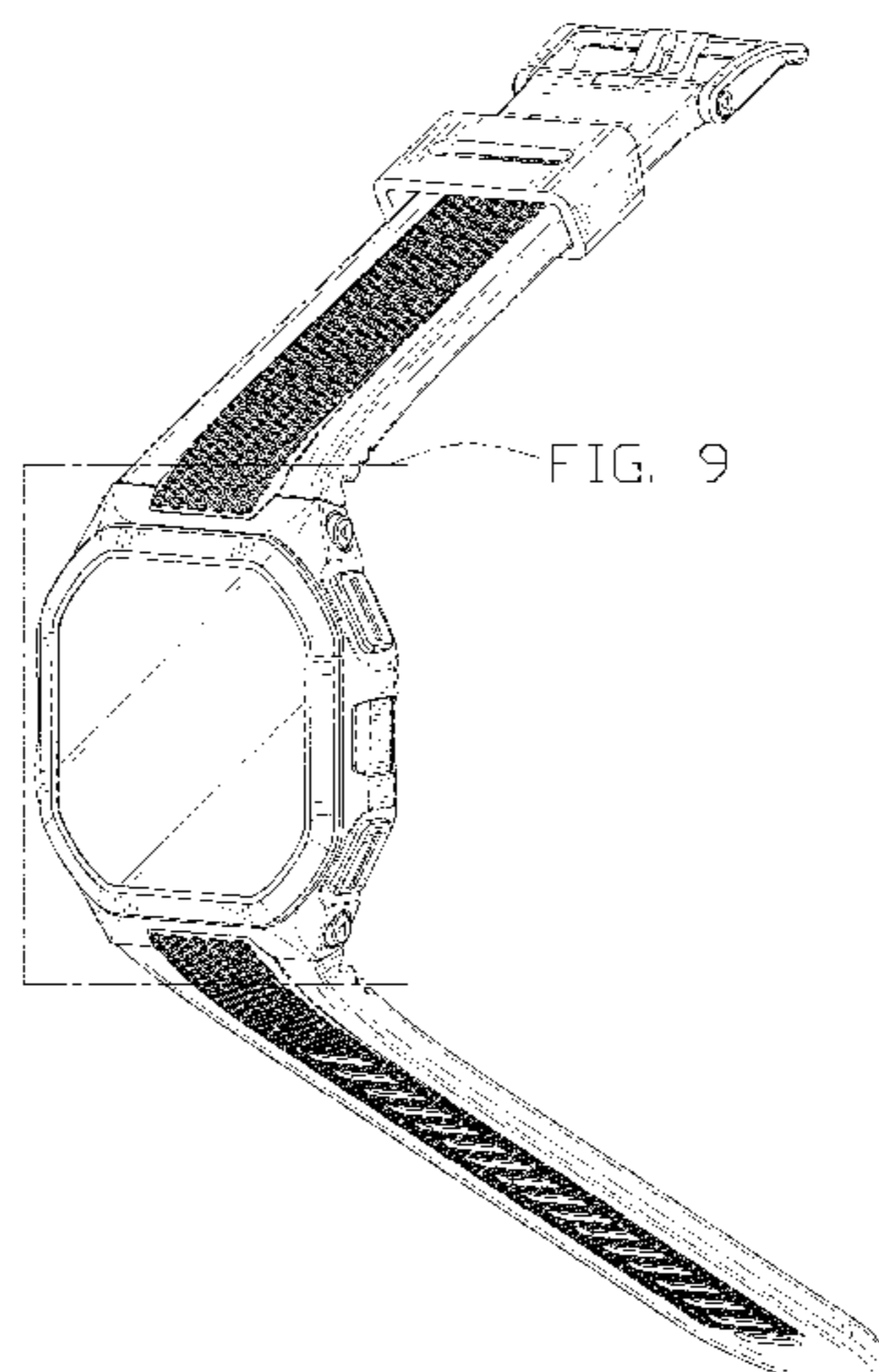
(57) **CLAIM**

The ornamental design for a wrist watch, as shown and
described.

DESCRIPTION

FIG. 1 is a front and right side perspective view of a wrist
watch showing our new design;
FIG. 2 is a rear and left side perspective view thereof;
FIG. 3 is a front elevation view thereof;
FIG. 4 is a rear elevation view thereof;
FIG. 5 is a left side elevation view thereof;
FIG. 6 is a right side elevation view thereof;
FIG. 7 is a top plan view thereof;
FIG. 8 is a bottom plan view thereof;
FIG. 9 is a partial enlarged view of FIG. 1; and,
FIG. 10 is a partial enlarged view of FIG. 2.
The broken lines shown in the drawings represent portions
of the wrist watch that form no part of the claimed design.

1 Claim, 10 Drawing Sheets



(56)

References Cited

FOREIGN PATENT DOCUMENTS

U.S. PATENT DOCUMENTS

D444,076 S * 6/2001 Repossi D10/32
 D576,054 S * 9/2008 Vaptzarof
 D588,944 S * 3/2009 Graff
 D635,868 S * 4/2011 Vaptzarof
 D659,027 S * 5/2012 Yurman D10/32
 D668,557 S * 10/2012 Goto D10/32
 D757,570 S * 5/2016 Wacks
 D772,081 S * 11/2016 Lee et al.
 D781,723 S * 3/2017 Seals D10/38
 D792,241 S * 7/2017 White D10/30
 D800,007 S * 10/2017 Tibi D11/3
 D821,247 S * 6/2018 Lean D11/3
 D834,439 S * 11/2018 Monachon D11/3
 D836,478 S * 12/2018 Wright D11/3
 D905,577 S * 12/2020 Valzan
 D913,113 S * 3/2021 Liu D10/30
 D917,306 S * 4/2021 Liu
 D927,992 S * 8/2021 Kojima D10/38
 D952,475 S * 5/2022 Amikura D10/30
 D956,579 S * 7/2022 Shamsossadati D10/38

CN 306776051 8/2021
 CN 306990621 12/2021
 CN 307099853 2/2022
 EM 008555627-0001 6/2021
 EM 008614341-0002 7/2021
 WO DM/088156 4/2016
 WO DM/101027 5/2018

OTHER PUBLICATIONS

How the Iconic Royal Oak is Giving Rise to Fresh Watch Design | gearpatrol.com; posted Aug. 2022 [online]. ©2022 Gear Patrol, LLC [retrieved Aug. 24, 2022] from Internet: <<https://www.gearpatrol.com/watches/a40189163/luxury-sport-watches/>> (Year: 2022).*
 Seiko Wired Reflection Octagonal Model AGAT446 | ebay.com; no posting date [online]. ©1995-2022 eBay Inc [retrieved Aug. 25, 2022] from Internet: <<https://www.ebay.com/itm/284679115557>> (Year: 2022).*

* cited by examiner

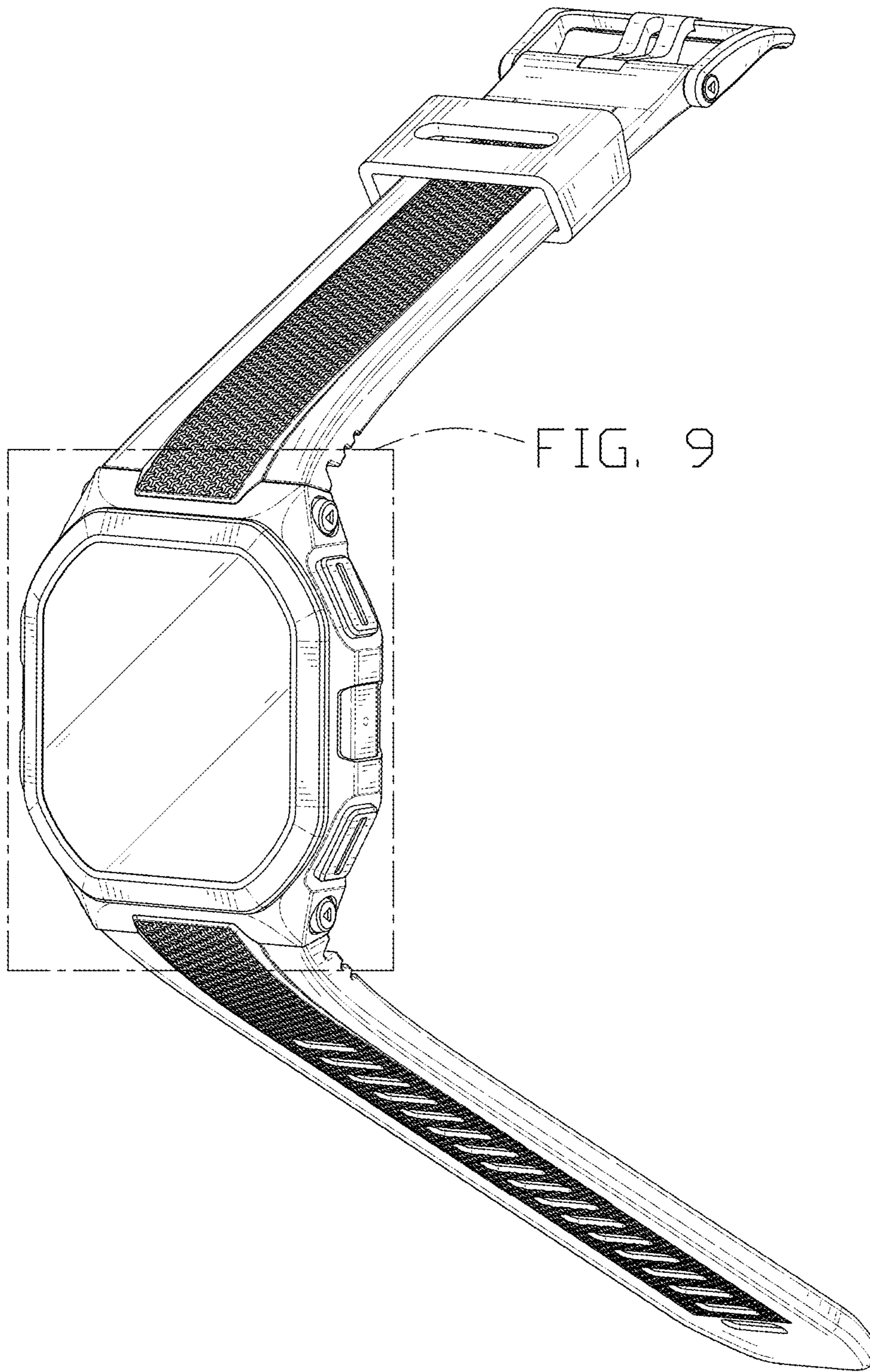


FIG. 1

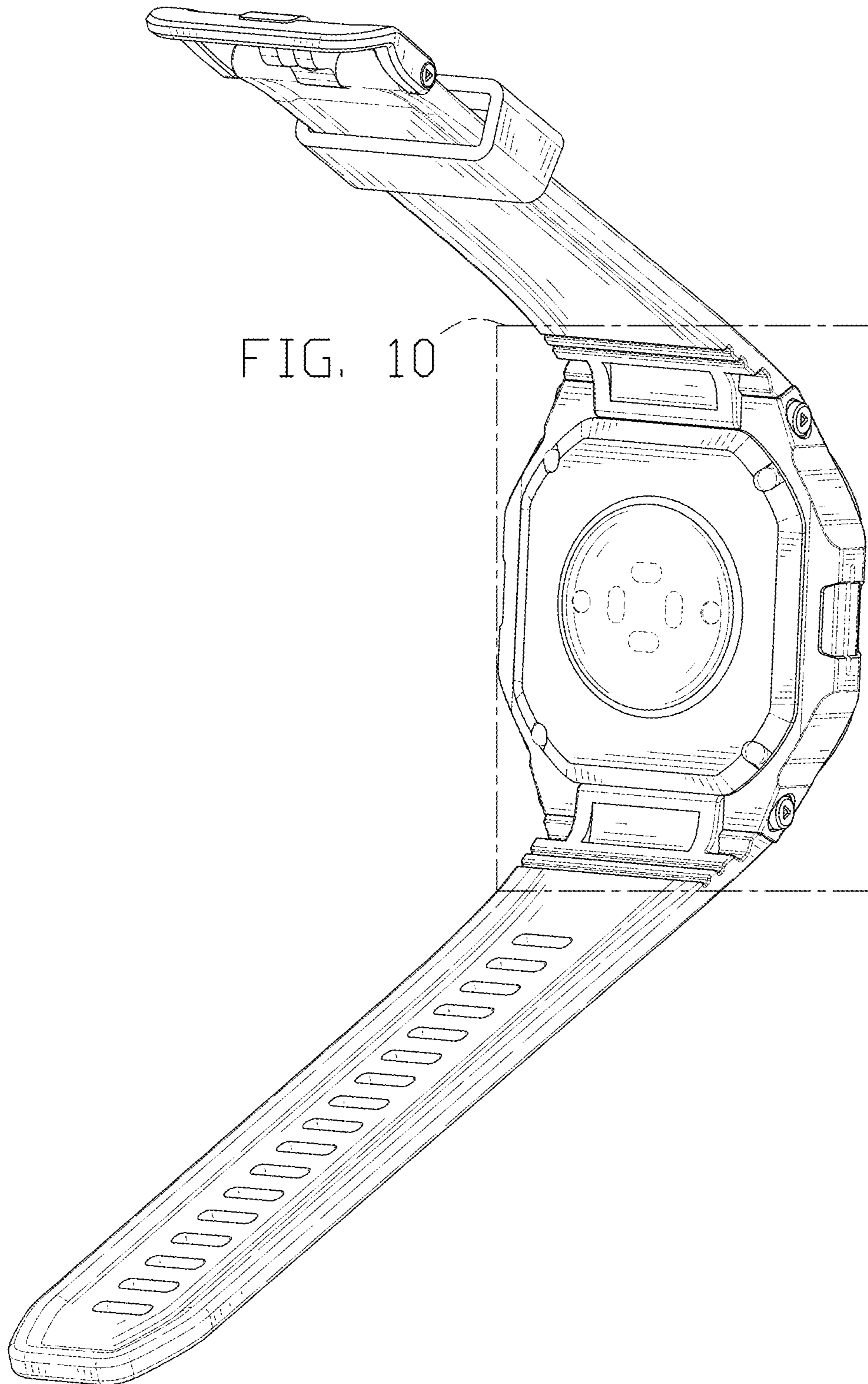


FIG. 10

FIG. 2

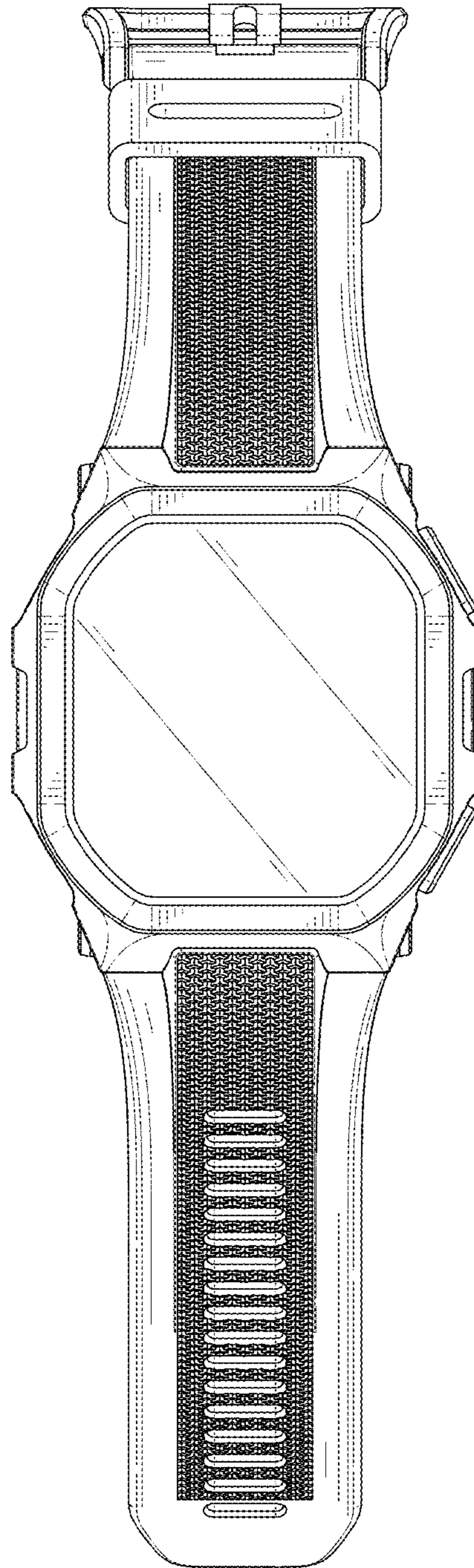


FIG. 3

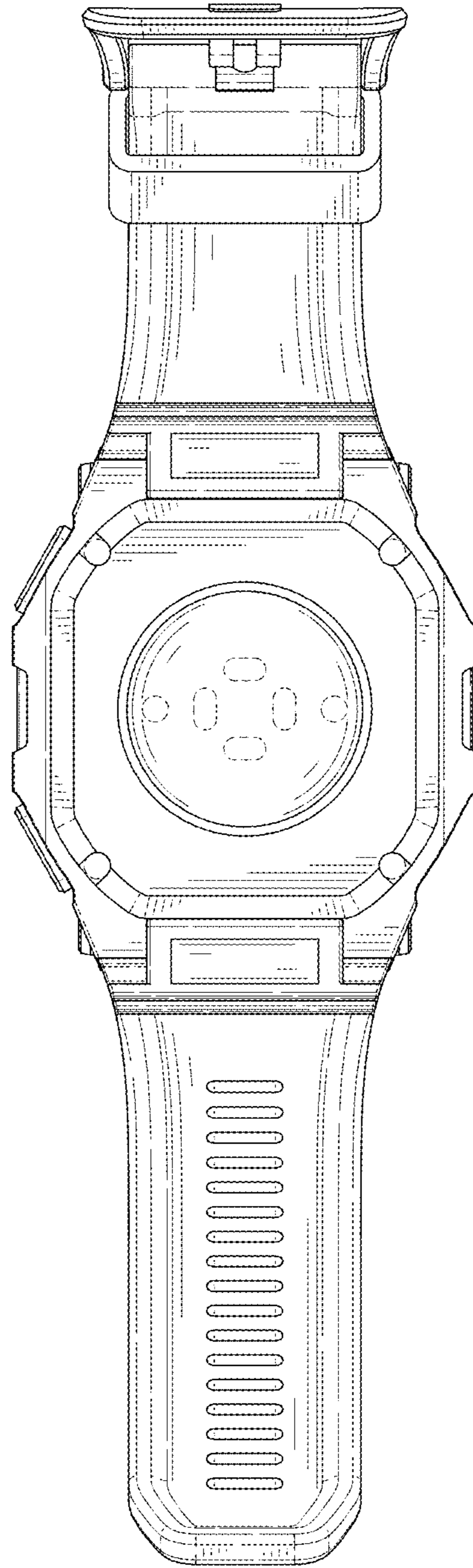


FIG. 4

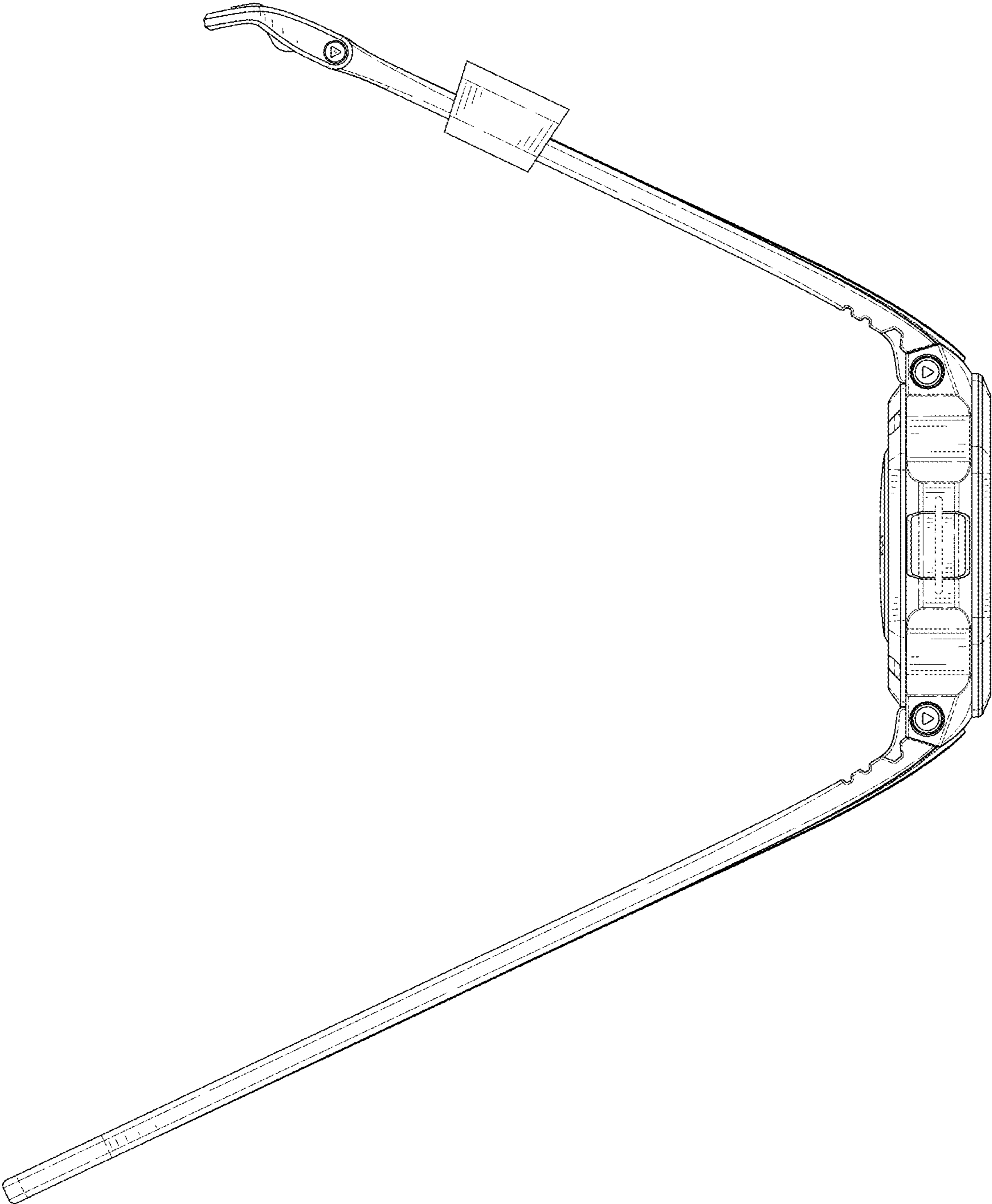


FIG. 5

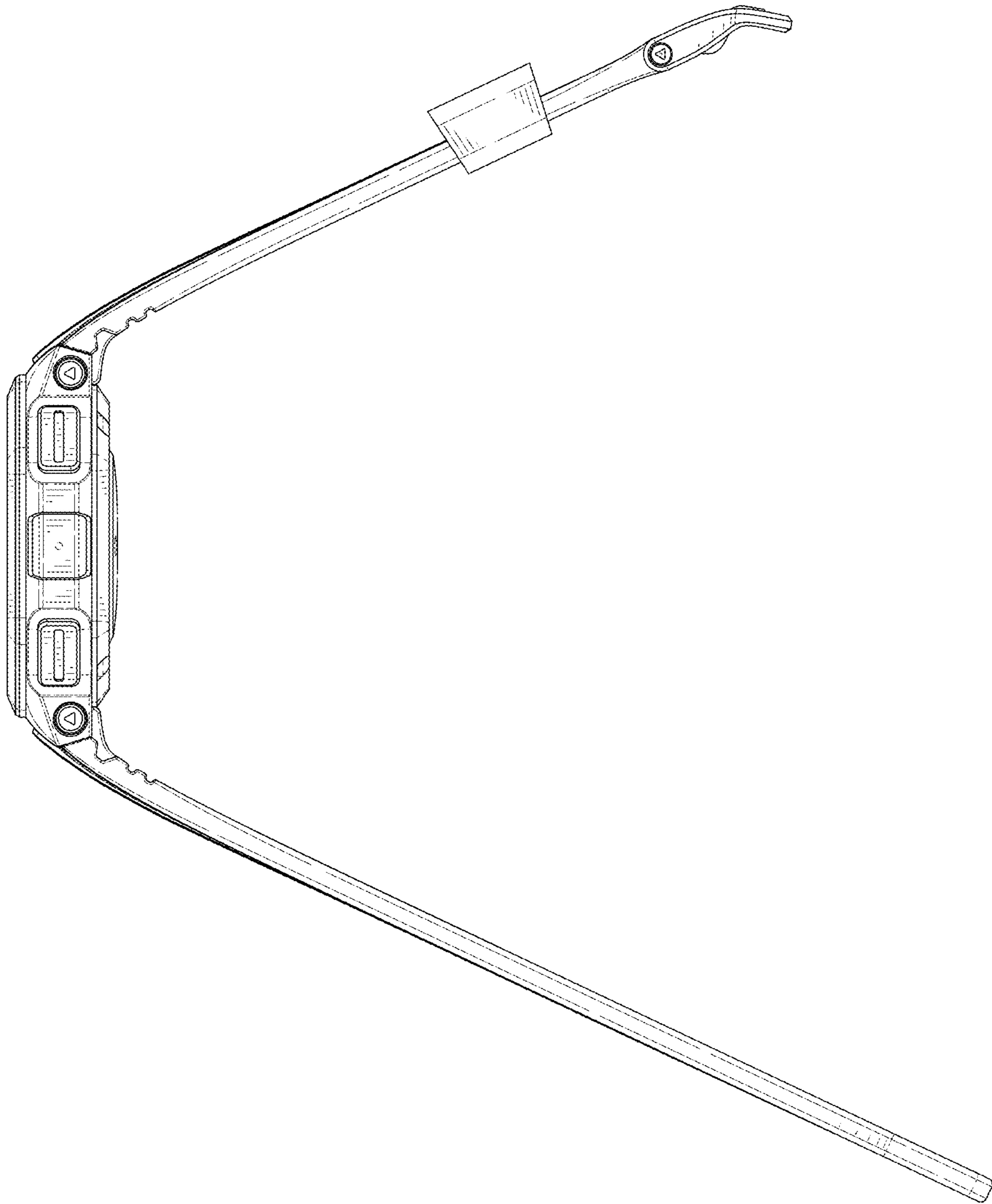


FIG. 6

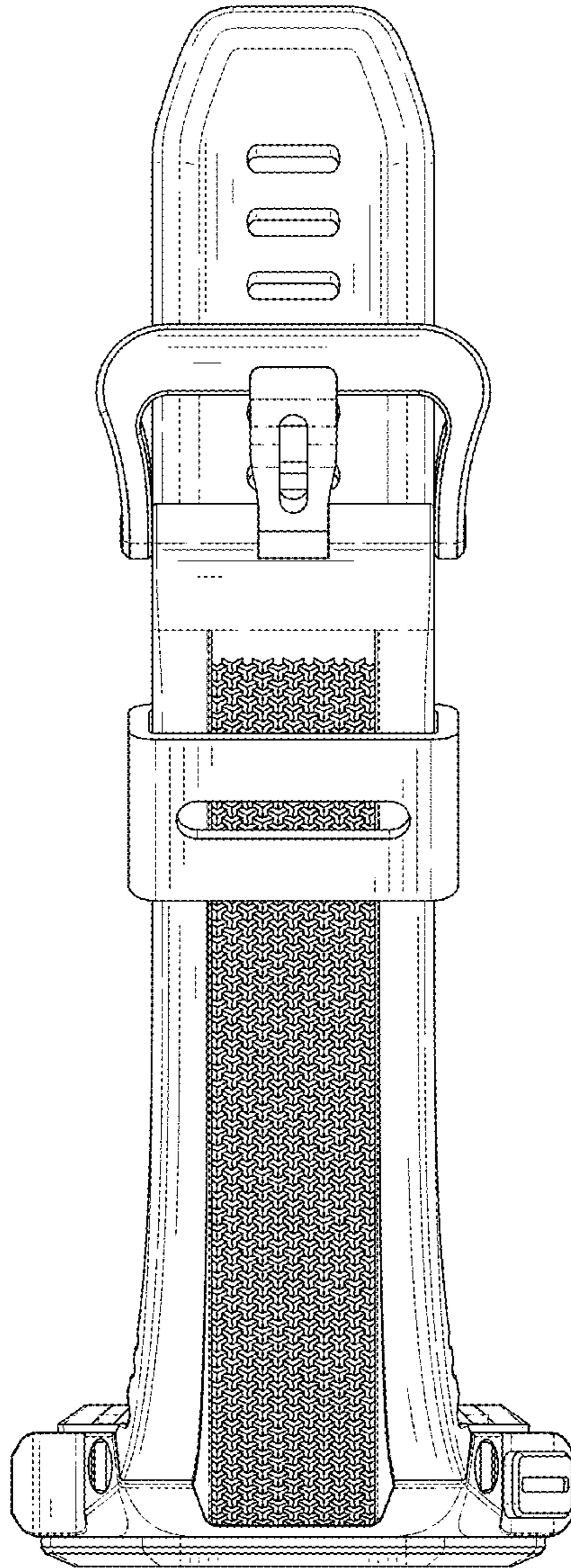


FIG. 7

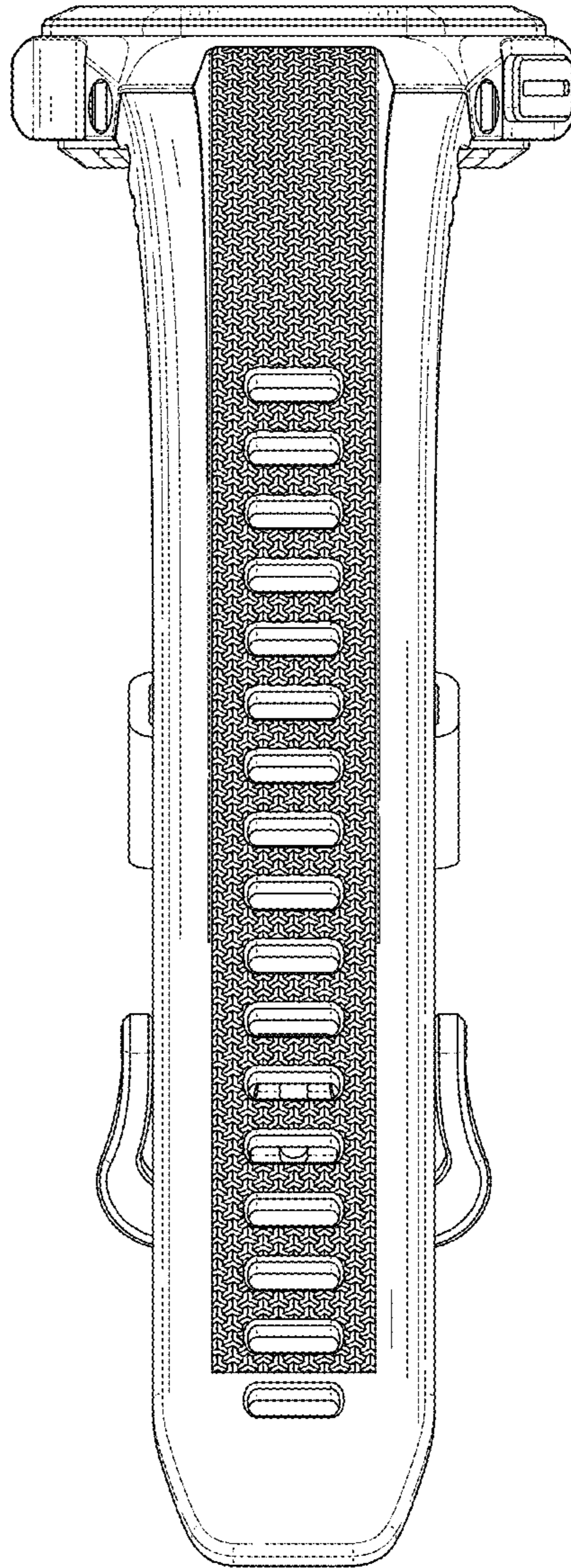


FIG. 8

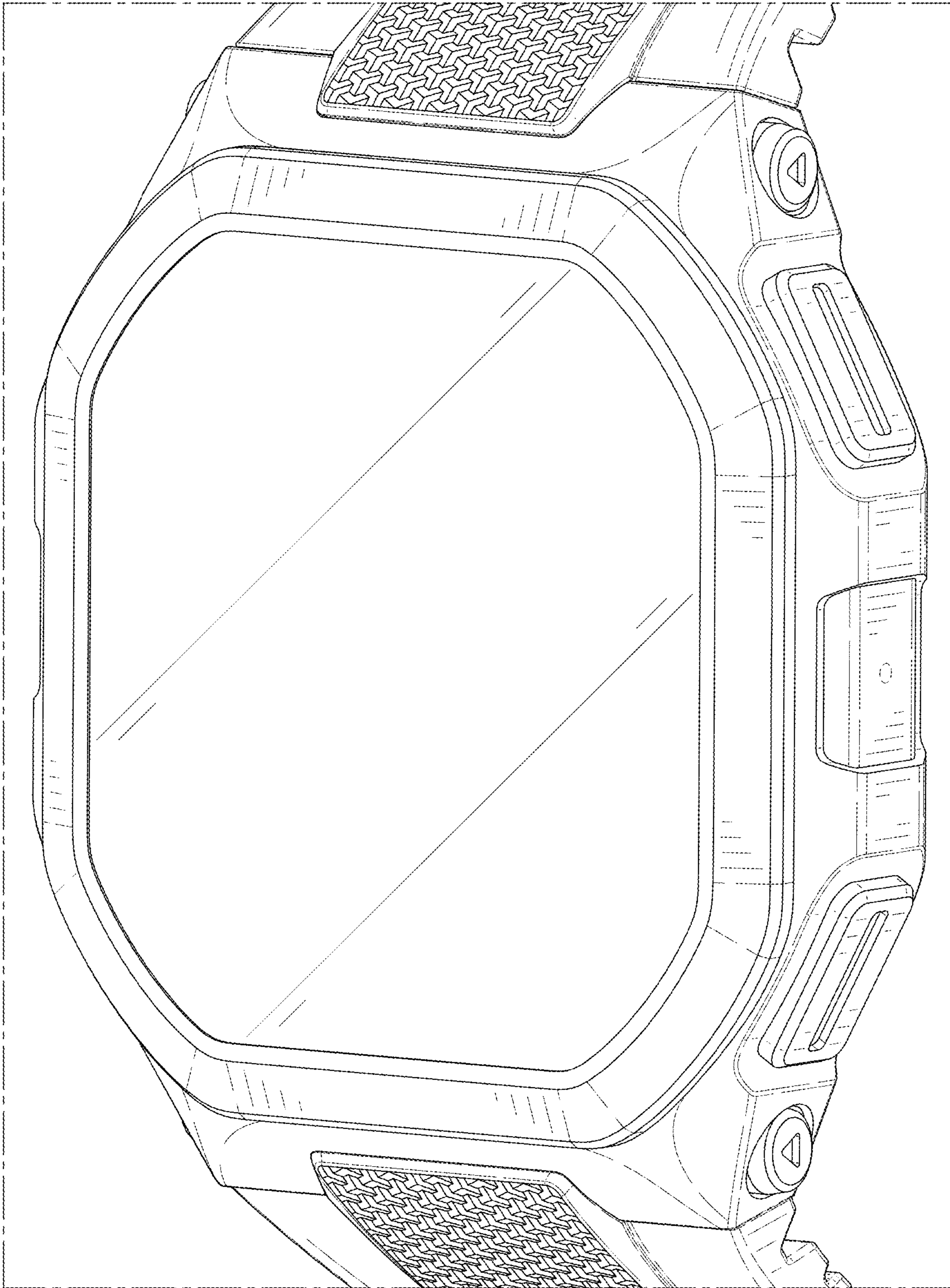


FIG. 9

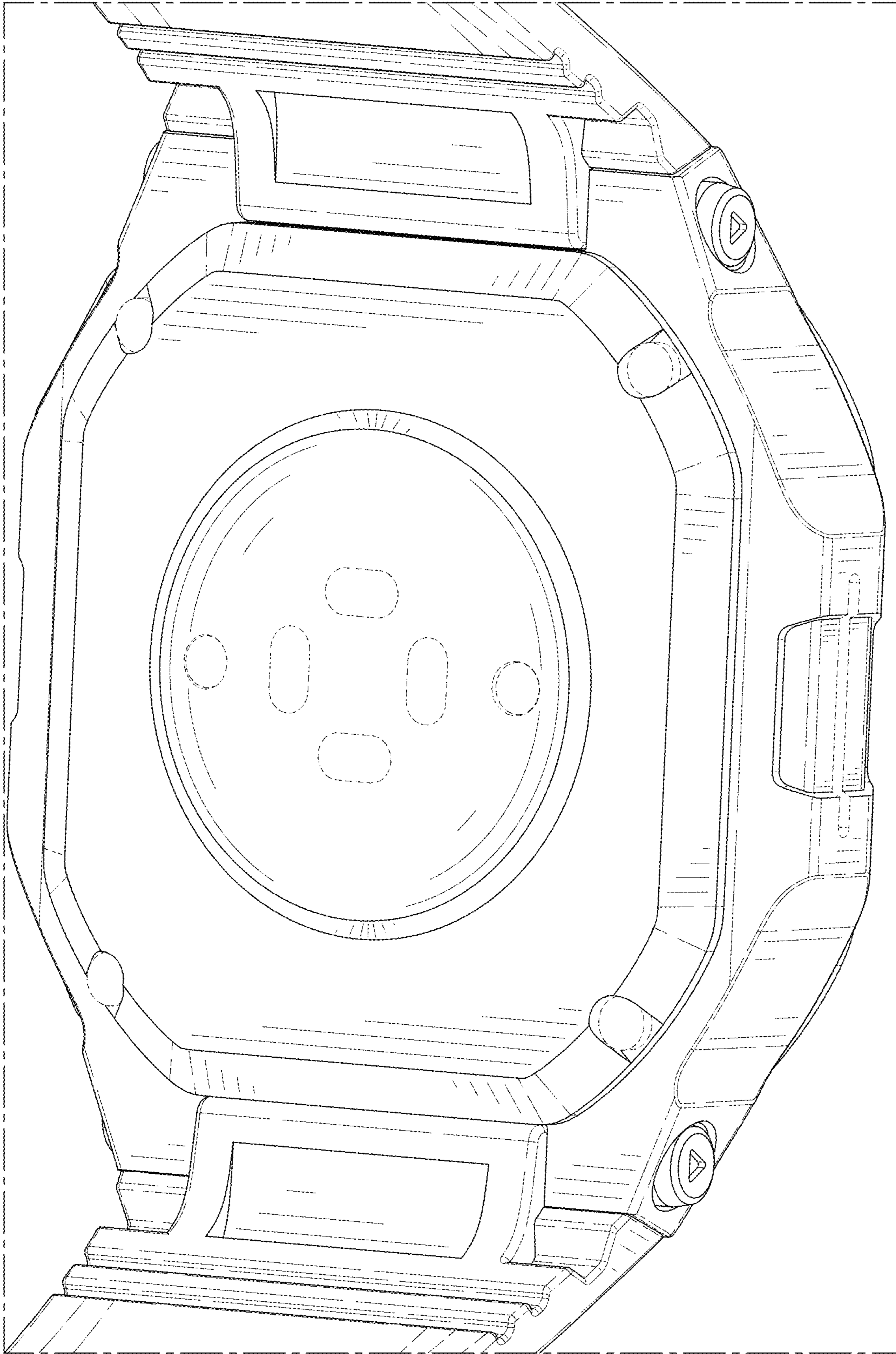


FIG. 10