



US00D974184S

(12) **United States Design Patent**  
**He et al.**

(10) **Patent No.:** **US D974,184 S**  
(45) **Date of Patent:** **\*\* Jan. 3, 2023**

(54) **WRIST WATCH**

FOREIGN PATENT DOCUMENTS

(71) Applicant: **SHENZHEN DO INTELLIGENT TECHNOLOGY CO., LTD.**,  
Guangdong (CN)

CA 202540 2/2022  
CN 305550965 1/2020

(Continued)

(72) Inventors: **An He**, Guangdong (CN); **Peng Li**,  
Guangdong (CN)

OTHER PUBLICATIONS

(73) Assignee: **Shenzhen Do Intelligent Technology Co., Ltd.**, Shenzhen (CN)

Casio Announces Metal Covered G-Shock GM2100 Watch |  
ablogtowatch.com; posted Sep. 8, 2021 [online]. © 2007-2022.  
aBlogtoWatch [retrieved Aug. 24, 2022] from Internet: <https://  
www.ablogtowatch.com/casio-announces-metal-covered-g-shock-  
gm2100-watch-series/> (Year: 2021).\*

(\*\*) Term: **15 Years**

(Continued)

(21) Appl. No.: **29/834,053**

(22) Filed: **Apr. 8, 2022**

*Primary Examiner* — Katherine Glennon

(30) **Foreign Application Priority Data**

(74) *Attorney, Agent, or Firm* — Davis Wright Tremaine  
LLP

Jan. 6, 2022 (CN) ..... 202230007148.3

(51) **LOC (14) Cl.** ..... **10-02**

(52) **U.S. Cl.**  
USPC ..... **D10/32**

(58) **Field of Classification Search**  
USPC ..... D10/30-39, 122-132; D11/3; D24/167,  
D24/186

CPC ..... A61B 5/681; A61B 5/6831; A44C 5/0007;  
A44C 5/147; G04B 37/00; G04B  
37/0058; G04B 37/1446; G04B 37/18;  
G04B 19/00; G04B 19/02; G04B 19/025;  
G04B 19/04; G04B 19/042; G04B 19/06;  
G04B 19/065; G04B 19/08; G04B  
19/085; G04B 19/087; G04B 45/0046;  
G04B 45/0069; G04B 45/0076; G04G  
17/00; G04G 17/08; G04G 17/083

See application file for complete search history.

(56) **References Cited**

U.S. PATENT DOCUMENTS

D497,109 S \* 10/2004 Itsubo ..... D10/30  
D539,674 S \* 4/2007 Vaptzarof ..... D10/38  
D576,054 S 9/2008 Vaptzarof

(Continued)

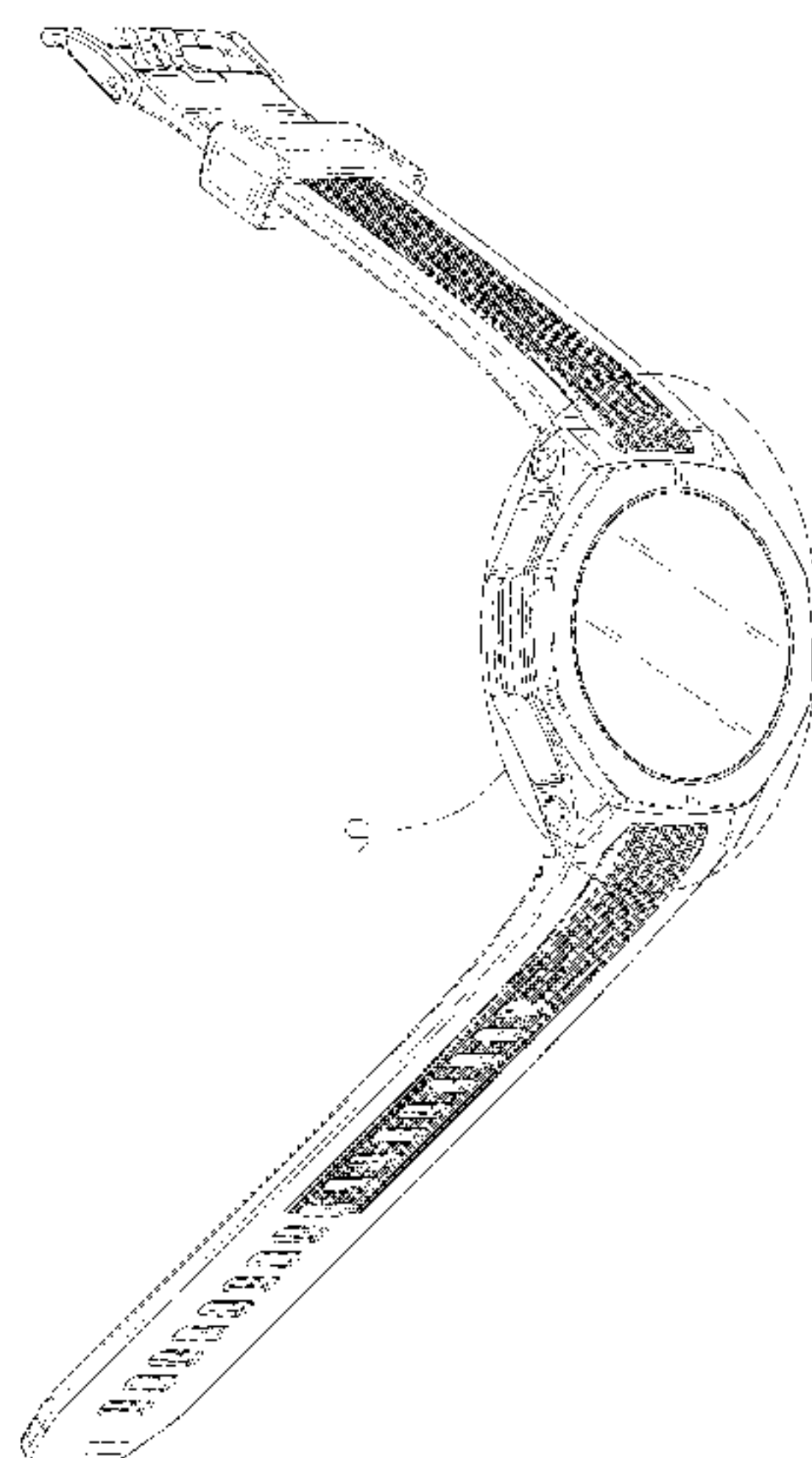
(57) **CLAIM**

The ornamental design for a wrist watch, as shown and  
described.

**DESCRIPTION**

FIG. 1 is a front and left side perspective view of a wrist  
watch showing our new design;  
FIG. 2 is a rear and right side perspective view thereof;  
FIG. 3 is a front elevation view thereof;  
FIG. 4 is a rear elevation view thereof;  
FIG. 5 is a left side elevation view thereof;  
FIG. 6 is a right side elevation view thereof;  
FIG. 7 is a top plan view thereof;  
FIG. 8 is a bottom plan view thereof; and,  
FIG. 9 is a partial enlarged view of FIG. 1.  
The broken lines shown in the drawings represent portions  
of the wrist watch that form no part of the claimed design.

**1 Claim, 9 Drawing Sheets**



(56)

References Cited

U.S. PATENT DOCUMENTS

D588,944 S 3/2009 Graff  
 D635,868 S 4/2011 Vaptzarof  
 D653,128 S \* 1/2012 Vaptzarof ..... D10/39  
 D659,027 S \* 5/2012 Yurman ..... D10/32  
 D668,557 S \* 10/2012 Goto ..... D10/32  
 D705,084 S \* 5/2014 Emmenegger ..... D10/32  
 D717,181 S \* 11/2014 Vukcevic ..... D10/38  
 D757,570 S 5/2016 Wacks  
 D772,081 S 11/2016 Lee et al.  
 D781,723 S 3/2017 Seals  
 D818,467 S \* 5/2018 Son ..... D14/344  
 D832,720 S \* 11/2018 Macaluso ..... D10/39  
 D834,439 S \* 11/2018 Monachon ..... D11/3  
 D887,406 S \* 6/2020 Mao ..... D14/344  
 D887,864 S \* 6/2020 Perrenoud ..... D10/39  
 D901,492 S \* 11/2020 Gao ..... D14/344  
 D905,577 S 12/2020 Valzan  
 D917,306 S \* 4/2021 Liu ..... D10/38  
 D920,135 S \* 5/2021 Koyama ..... D10/38  
 D927,992 S 8/2021 Kojima  
 D952,475 S \* 5/2022 Amikura ..... D10/30

FOREIGN PATENT DOCUMENTS

CN 306776051 8/2021  
 CN 306990621 12/2021  
 CN 307099853 2/2022  
 EM 308555627-0001 6/2021  
 EM 308614341-0002 7/2021  
 WO DM/088156 4/2016  
 WO DM/101027 5/2018

OTHER PUBLICATIONS

How the Iconic Royal Oak is Giving Rise to Fresh Watch Design | gearpatrol.com; posted Aug. 2022 [online]. © 2022 Gear Patrol, LLC [retrieved Aug. 24, 2022] from Internet: <<https://www.gearpatrol.com/watches/a40189163/luxury-sport-watches/>> (Year: 2022).\*

Seiko Wired Reflection Octagonal Model AGAT446 | ebay.com; no posting date [online], © 1995-2022 eBay Inc [retrieved Aug. 25, 2022] from Internet: <<https://www.ebay.com/itm/284679115557>> (Year: 2022).\*

\* cited by examiner

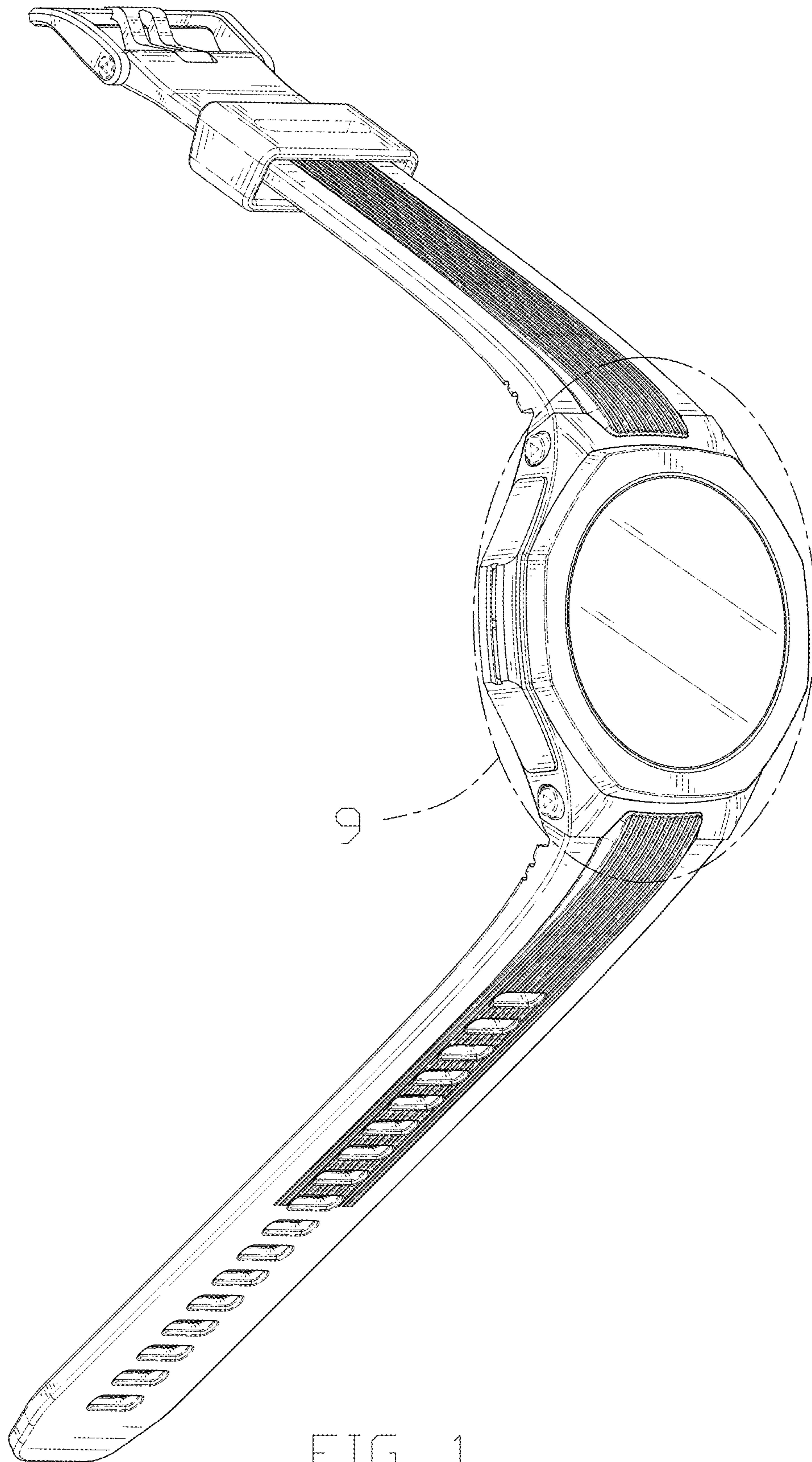


FIG. 1



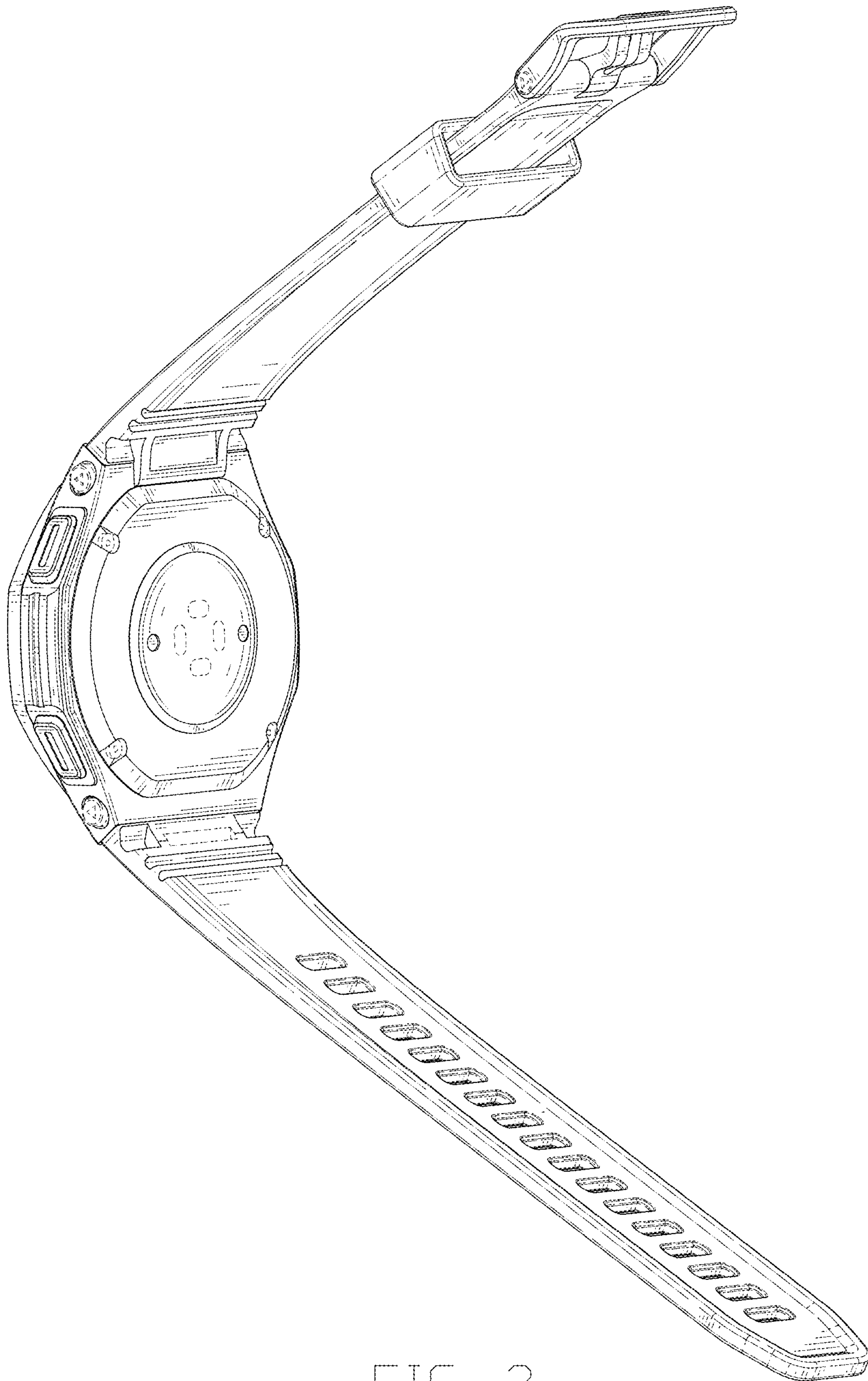


FIG. 2

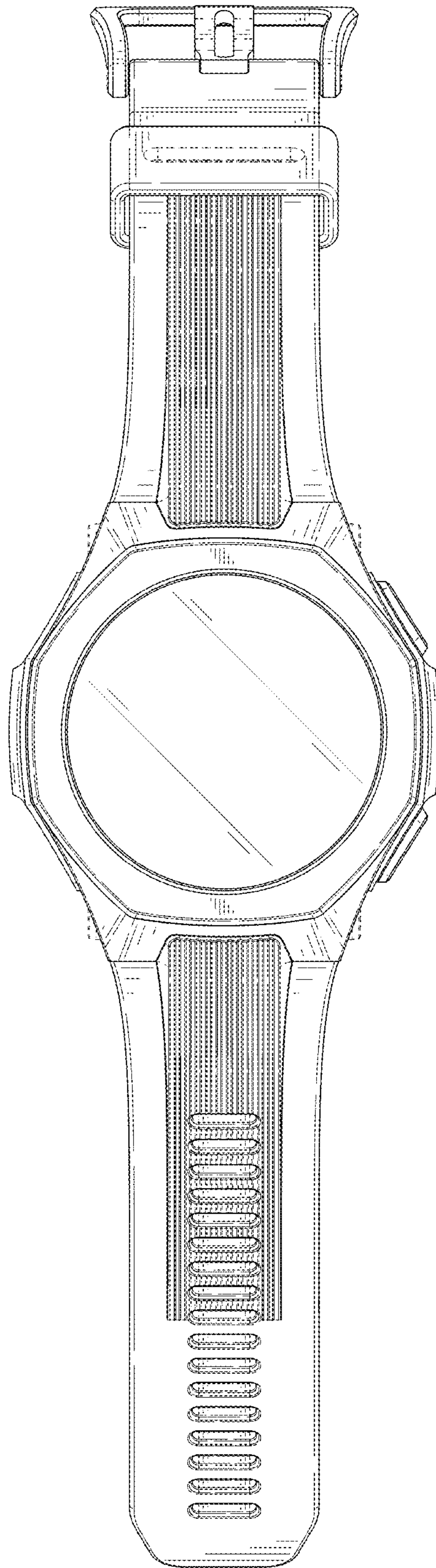


FIG. 3

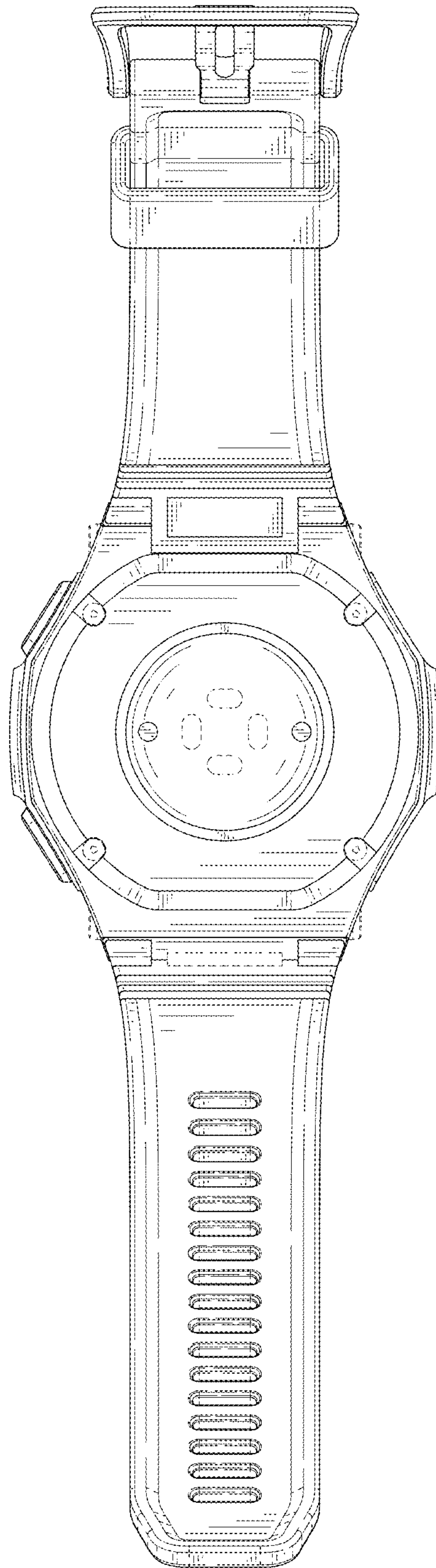


FIG. 4

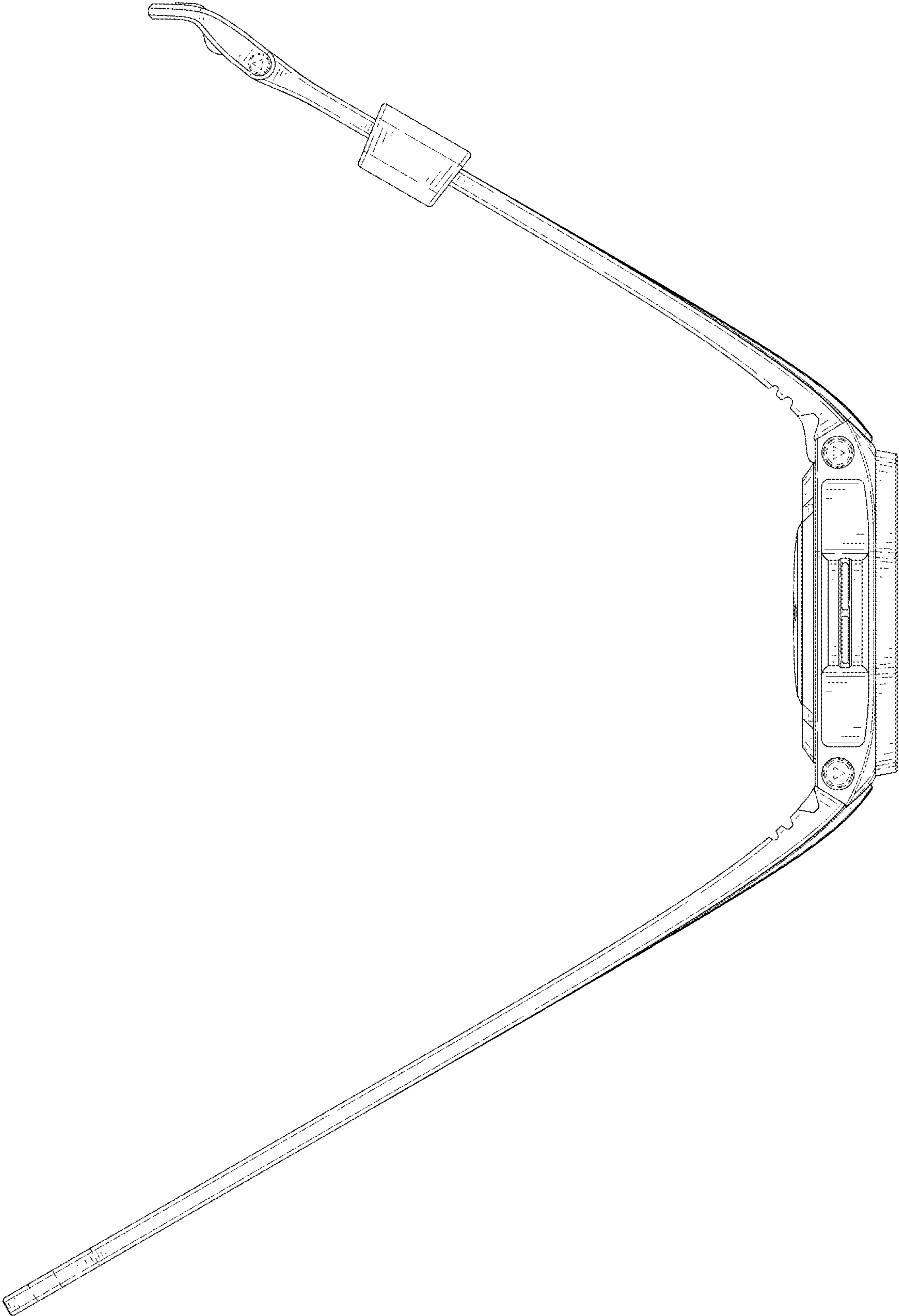


FIG. 5



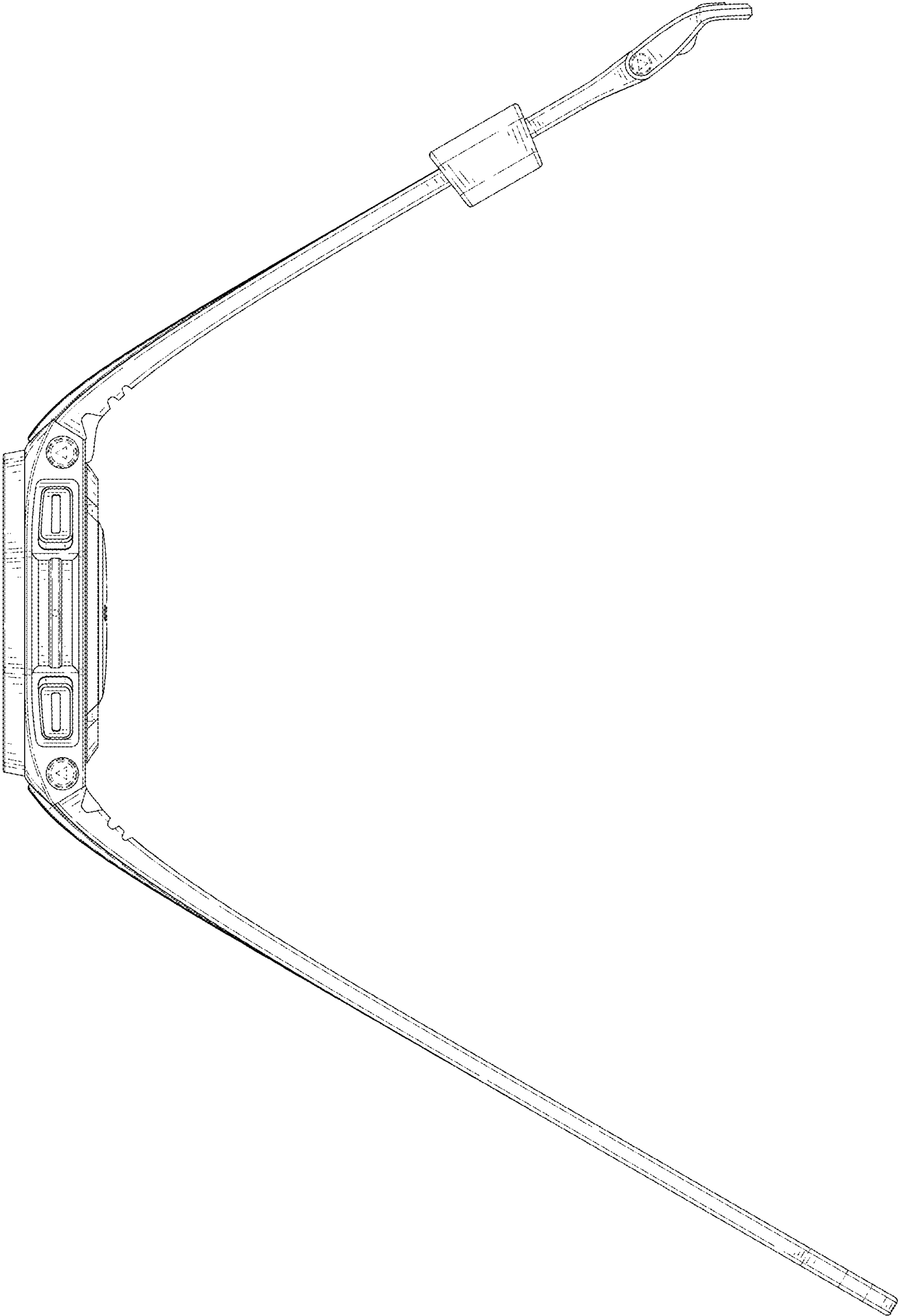


FIG. 6



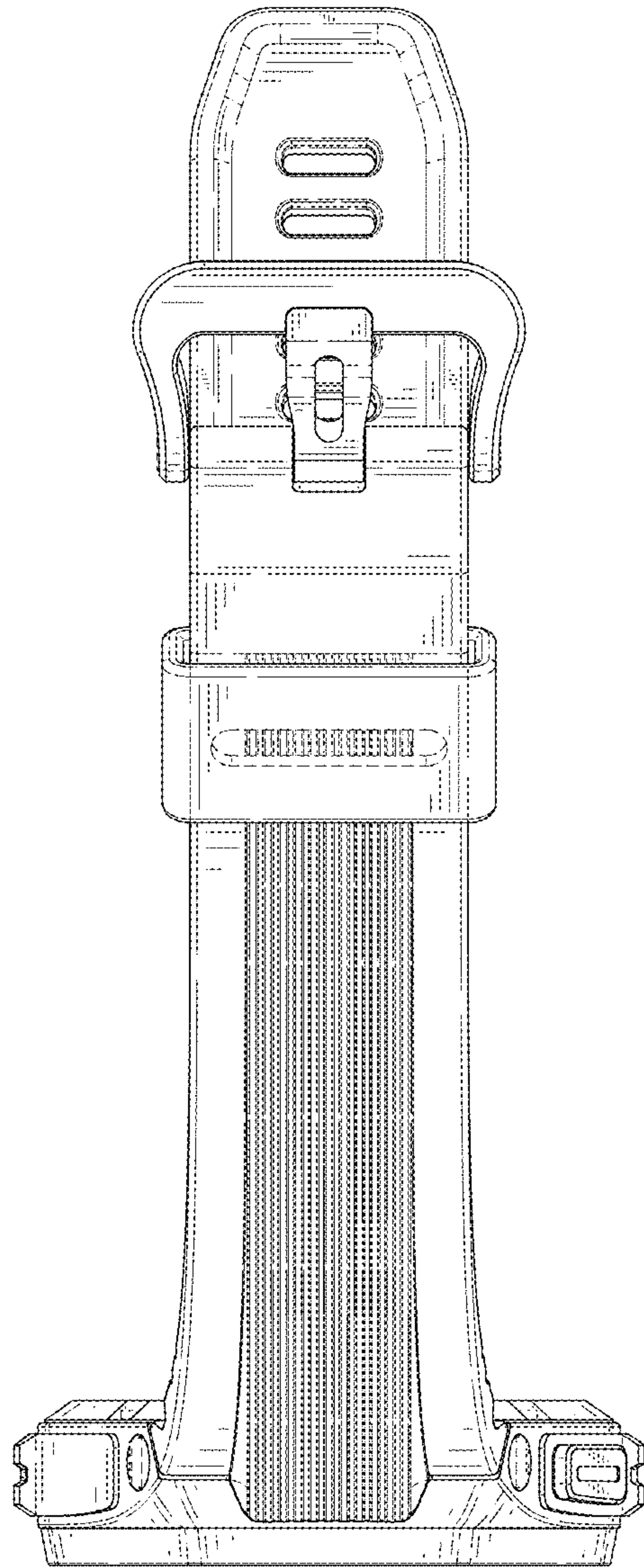


FIG. 7

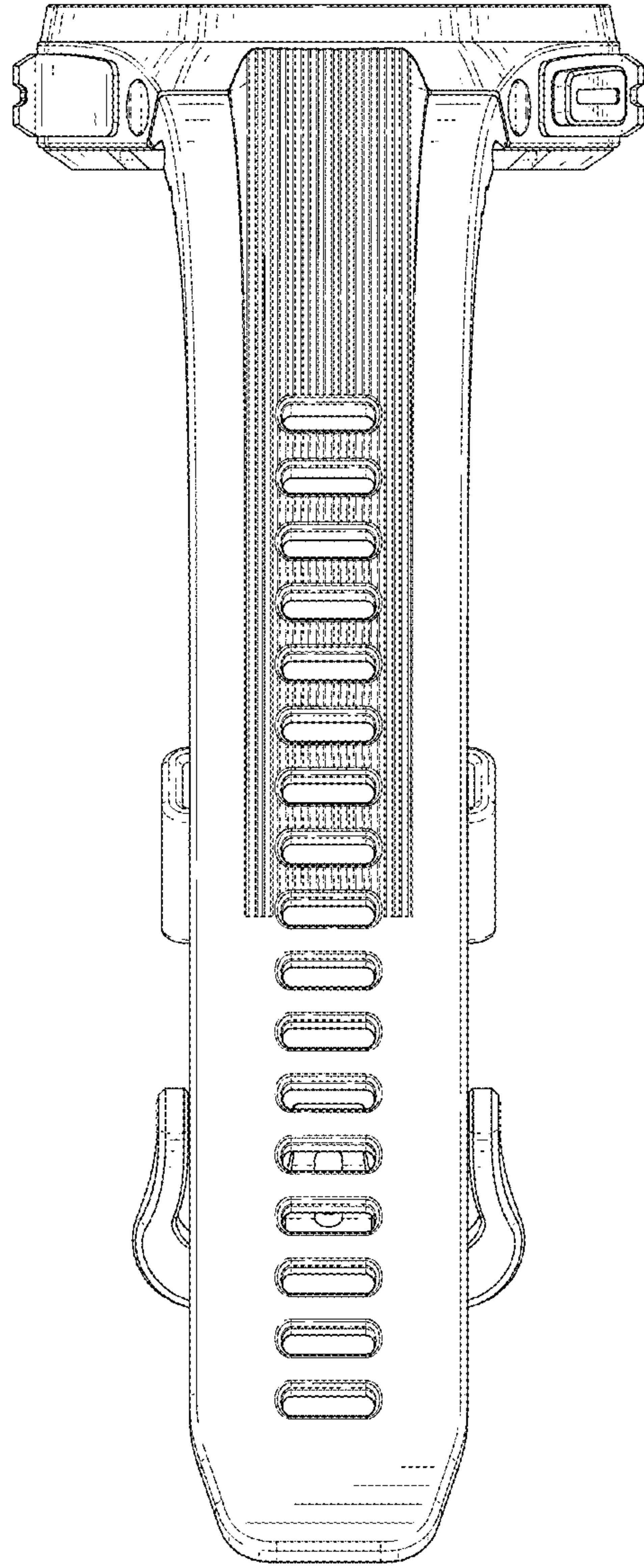


FIG. 8

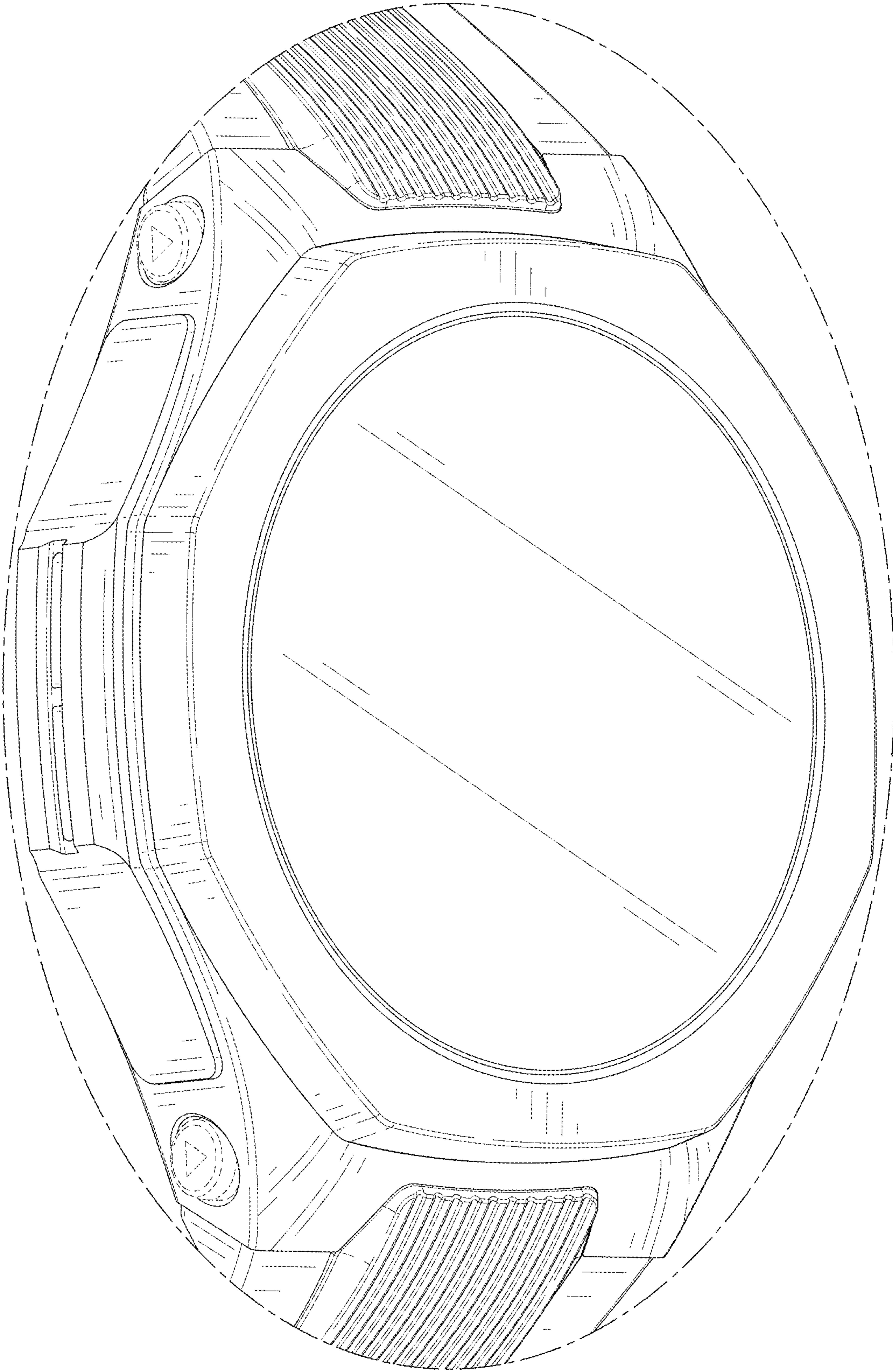


FIG. 9