



US00D974178S

(12) **United States Design Patent** (10) **Patent No.:** **US D974,178 S**
Burns (45) **Date of Patent:** **** Jan. 3, 2023**

(54) **CONTAINER**
(71) Applicant: **Lifetime Brands, Inc.**, Garden City, NY (US)
(72) Inventor: **Clay Allen Burns**, New York, NY (US)
(73) Assignee: **Lifetime Brands, Inc.**, Garden City, NY (US)
(**) Term: **15 Years**

D332,897 S * 2/1993 Bucher D7/629
D333,758 S 3/1993 Lillelund
D335,428 S 5/1993 Picozza et al.
D350,843 S 9/1994 VanValkenburg et al.
5,356,026 A 10/1994 Andress et al.
D352,210 S 11/1994 Cousins et al.
D358,302 S 5/1995 VanValkenburg et al.
D358,531 S 5/1995 Cousins et al.
5,586,656 A 12/1996 Abrums
5,769,229 A 6/1998 Andress et al.
5,799,792 A 9/1998 Abrums
(Continued)

(21) Appl. No.: **29/774,488**
(22) Filed: **Mar. 17, 2021**
(51) **LOC (14) Cl.** **09-01**
(52) **U.S. Cl.**
USPC **D9/549**
(58) **Field of Classification Search**
USPC D9/414, 428, 434, 435, 445, 449, 451, D9/454, 500, 501, 502, 503, 504, 505, D9/516, 537, 549, 715, 772; D7/554.2, D7/601, 602, 605, 612; D28/4, 7, 8, 73, D28/76, 77, 78, 79, 80, 81, 82, 83, 84, D28/88, 90, 91.1, 99
CPC A45D 33/00; A45D 33/003; A45D 33/006; A45D 33/16; A45D 33/18; A45D 33/20; A45D 33/22; A45D 34/00; A45D 40/00; A45D 40/0068; A45D 40/0075; A45D 40/222; A61K 8/00; B65D 1/00; B65D 1/10; B65D 43/163; Y10S 206/823
See application file for complete search history.

(56) **References Cited**
U.S. PATENT DOCUMENTS
2,575,770 A 11/1951 Roop
D216,552 S * 2/1970 Curry D9/503
D217,438 S * 5/1970 Ballbach D9/504
D249,998 S 10/1978 Gobleck, Jr.
D276,684 S 12/1984 Sublett

OTHER PUBLICATIONS

White Metal Steel Tin Container, posted at Amazon.com on Mar. 8, 2016, [site visited May 19, 2022]. Available from internet, URL: <<https://www.amazon.com/dp/B01CPX4BOA/>> (Year: 2016).*

Primary Examiner — Andrew Kerr
Assistant Examiner — Chariton Alexakis
(74) *Attorney, Agent, or Firm* — Tutunjian & Bitetto, P.C.

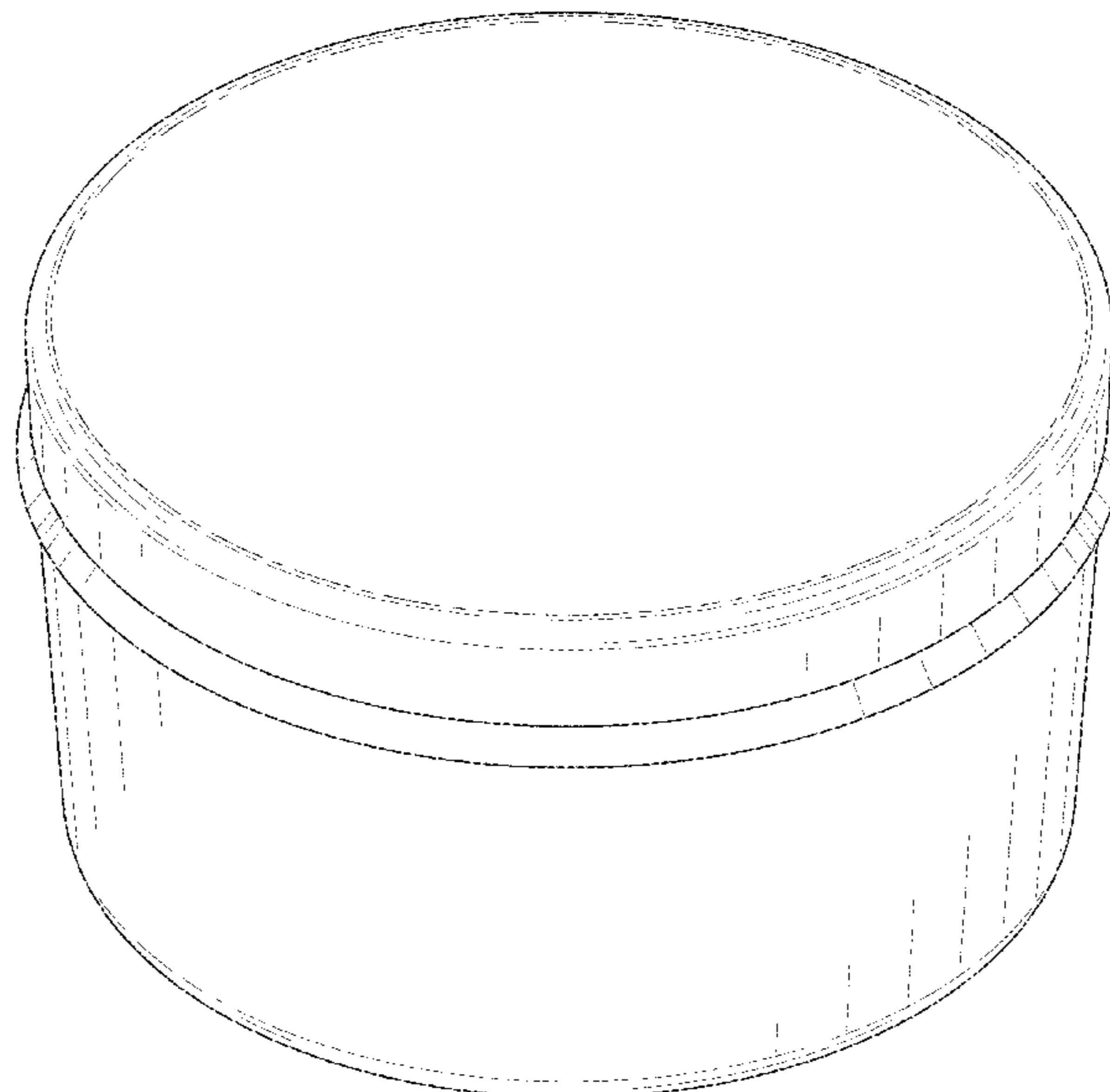
(57) **CLAIM**

The ornamental design for a container, as shown and described.

DESCRIPTION

FIG. 1 is a top perspective view of a container, showing my new design.
FIG. 2 is a front elevation view of the container of FIG. 1.
FIG. 3 is a right side elevation view of the container of FIG. 1.
FIG. 4 is left side elevation view of the container of FIG. 1.
FIG. 5 is a rear elevation view of the container of FIG. 1.
FIG. 6 is a top plan view of the container of FIG. 1; and, FIG. 7 is a bottom plan view of the container of FIG. 1.
The long dash-short dash broken lines in FIGS. 1, 6 and 7, designating the boundary of the claimed design, form no part of the claim design.

1 Claim, 5 Drawing Sheets



(56)

References Cited

U.S. PATENT DOCUMENTS

D400,787 S * 11/1998 Keener D9/504
 D467,363 S * 12/2002 West D26/10
 D476,233 S * 6/2003 Versace D9/504
 6,729,472 B2 5/2004 Stucke et al.
 6,796,430 B2 9/2004 Mercier et al.
 D504,799 S 5/2005 Lawson et al.
 6,886,694 B2 5/2005 McNeeley et al.
 D511,074 S 11/2005 Claypool et al.
 D512,604 S 12/2005 Panepinto
 D518,336 S 4/2006 Hirani
 D518,728 S * 4/2006 Frantz D9/504
 D539,093 S 3/2007 Robinson
 D547,119 S 7/2007 Robinson
 D572,087 S 7/2008 Kim
 D579,726 S 11/2008 Eisenberg
 7,451,875 B1 11/2008 Norris
 D593,858 S * 6/2009 Kubicek D9/454
 D596,905 S * 7/2009 Sherrard D8/2
 D622,554 S * 8/2010 Carreno D7/629
 D626,791 S 11/2010 Sierra
 D629,657 S 12/2010 Carreno
 D657,249 S * 4/2012 Bakic D9/503

D659,478 S 5/2012 Cossu
 8,381,909 B2 2/2013 Hernandez et al.
 D682,615 S 5/2013 Holding et al.
 D701,088 S 3/2014 Hone
 D715,145 S * 10/2014 Yamagishi D23/262
 D718,138 S * 11/2014 Komai D9/503
 D723,339 S 3/2015 Maxwell et al.
 D723,340 S 3/2015 Maxwell et al.
 D730,127 S 5/2015 Maxwell et al.
 D744,293 S * 12/2015 Linder D7/629
 D779,326 S * 2/2017 Lee D9/454
 D807,748 S * 1/2018 Bauchwitz A45D 33/00
 D9/503
 D835,996 S * 12/2018 Otani B65D 51/20
 D28/82
 D869,245 S 12/2019 Jacobsen
 D869,246 S 12/2019 Jacobsen
 D879,564 S 3/2020 Adams, Jr. et al.
 D904,132 S 12/2020 Holding et al.
 2006/0070907 A1 4/2006 O'Shea
 2012/0318697 A1 12/2012 Stern
 2013/0140211 A1 6/2013 Robbins, III et al.
 2017/0107027 A1 * 4/2017 Sangiovanni B65D 51/20
 2019/0322418 A1 10/2019 Henriques et al.

* cited by examiner

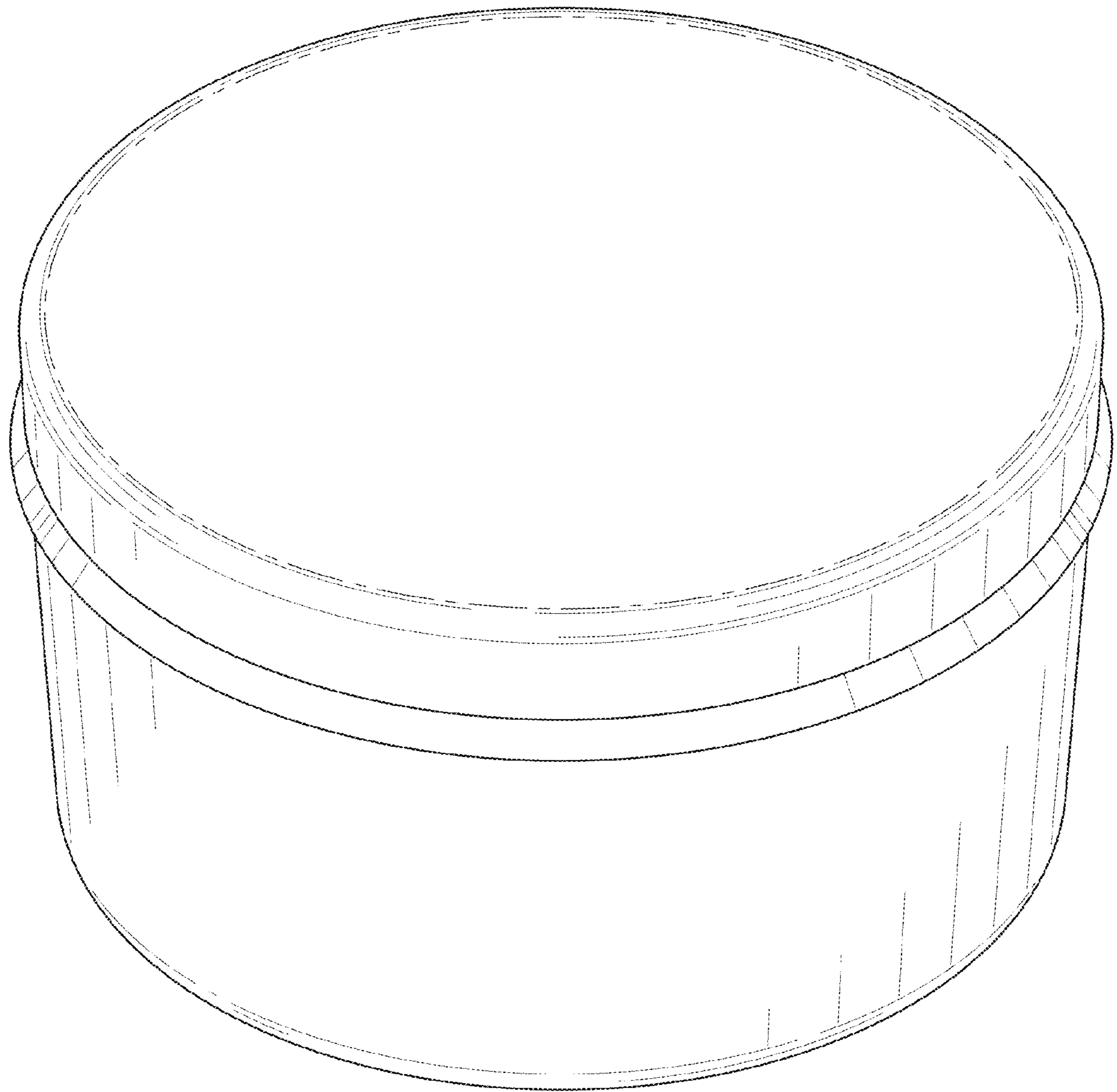


FIG. 1

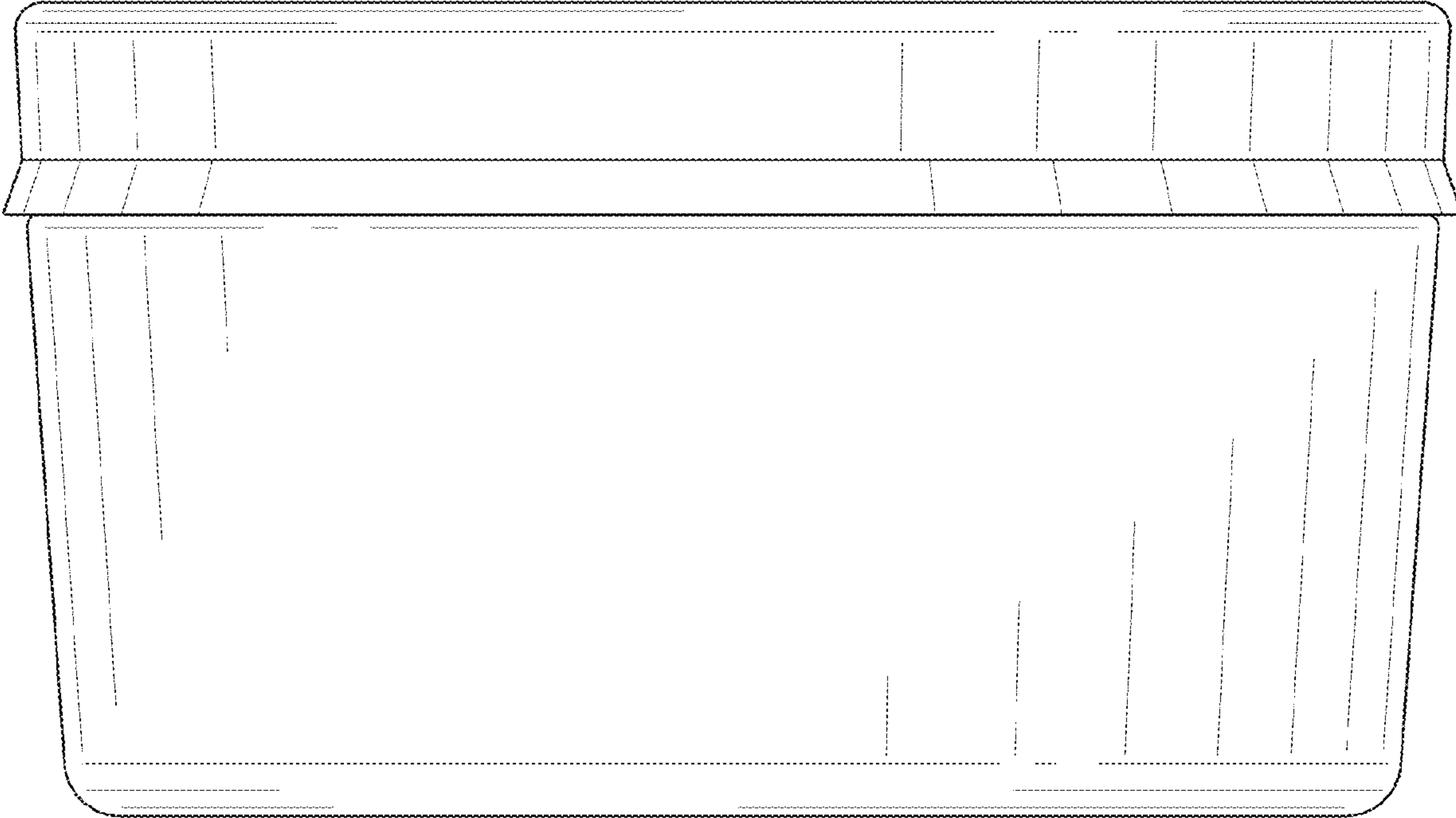


FIG. 2

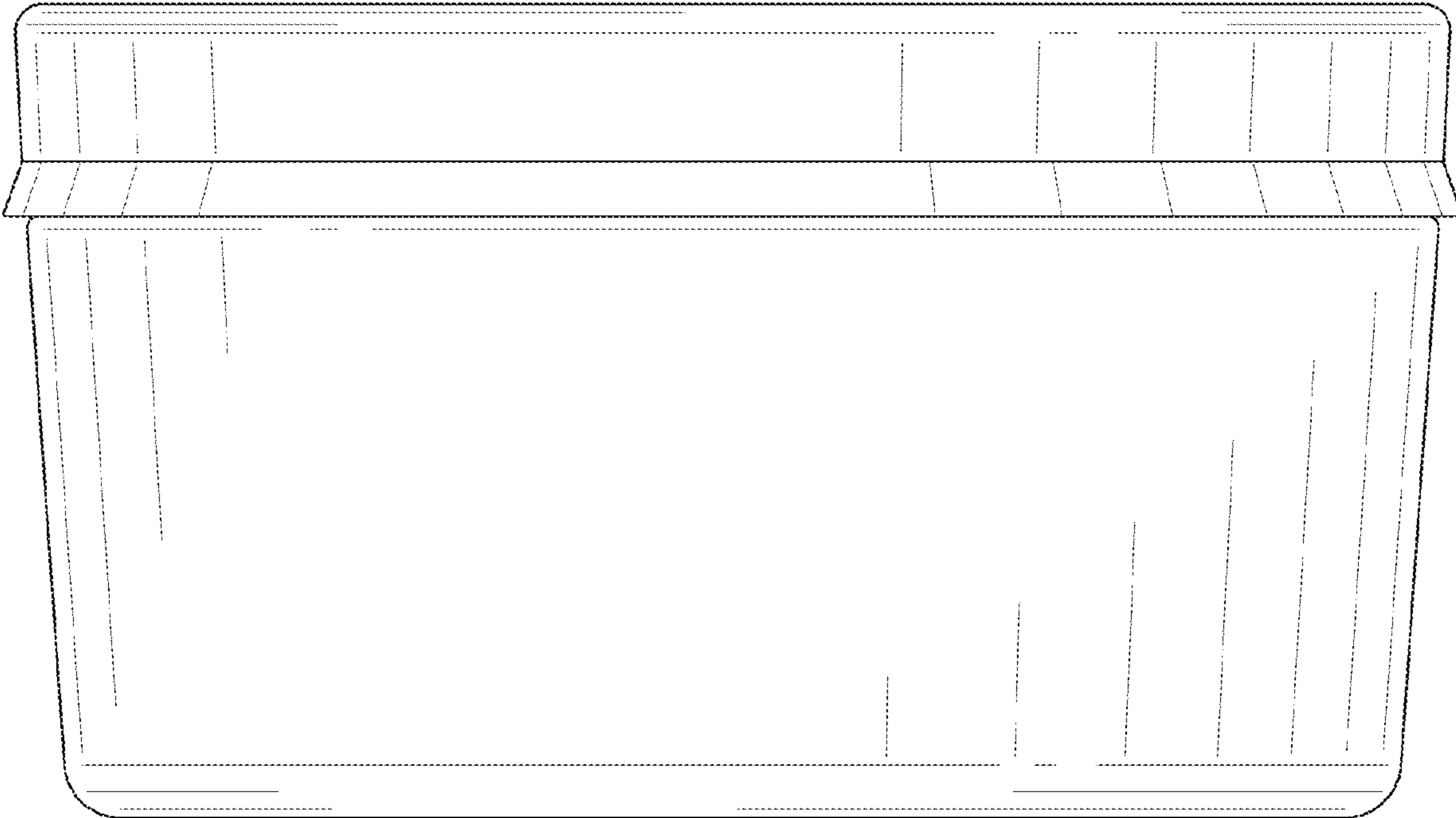


FIG. 3

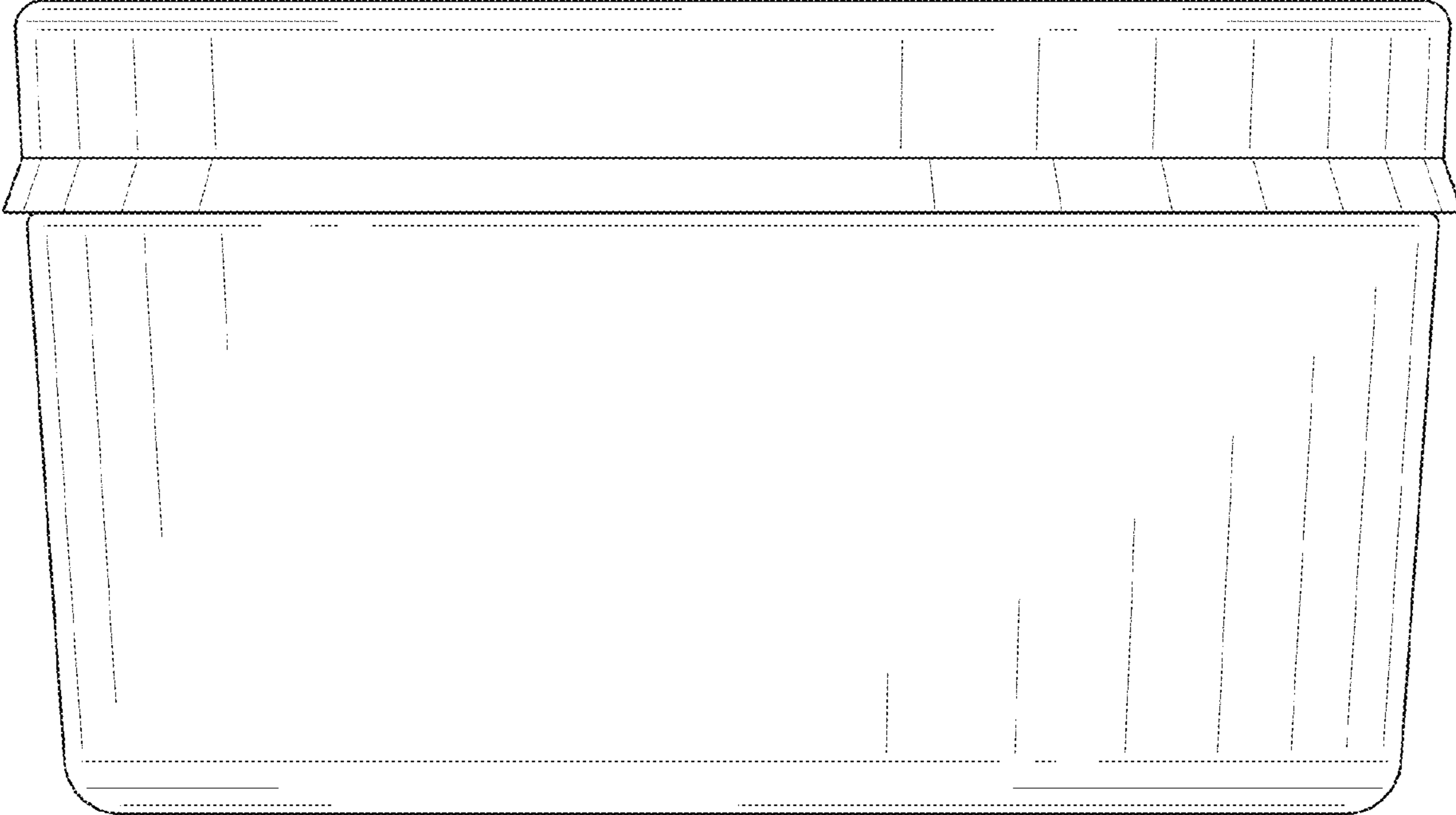


FIG. 4

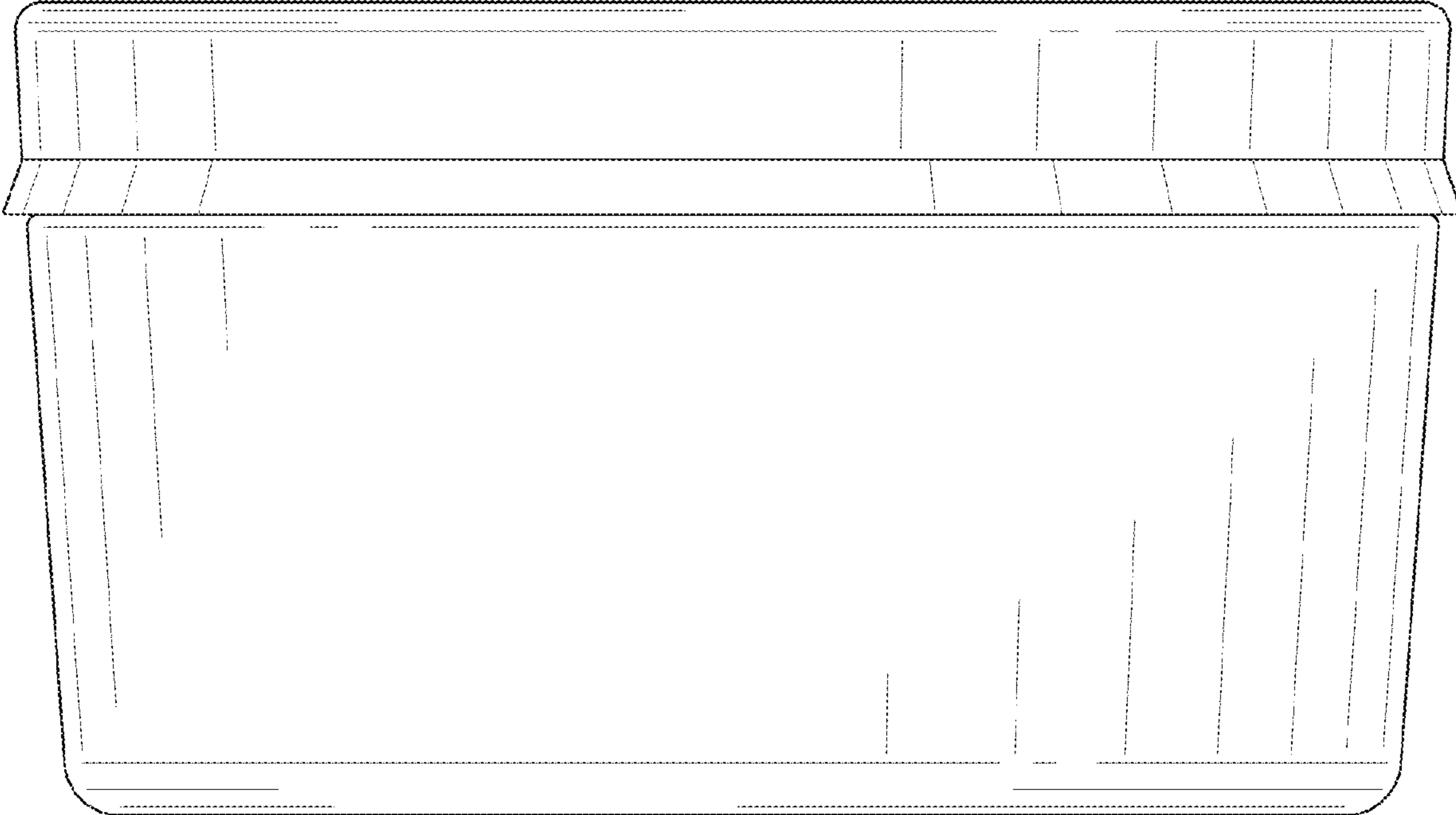


FIG. 5

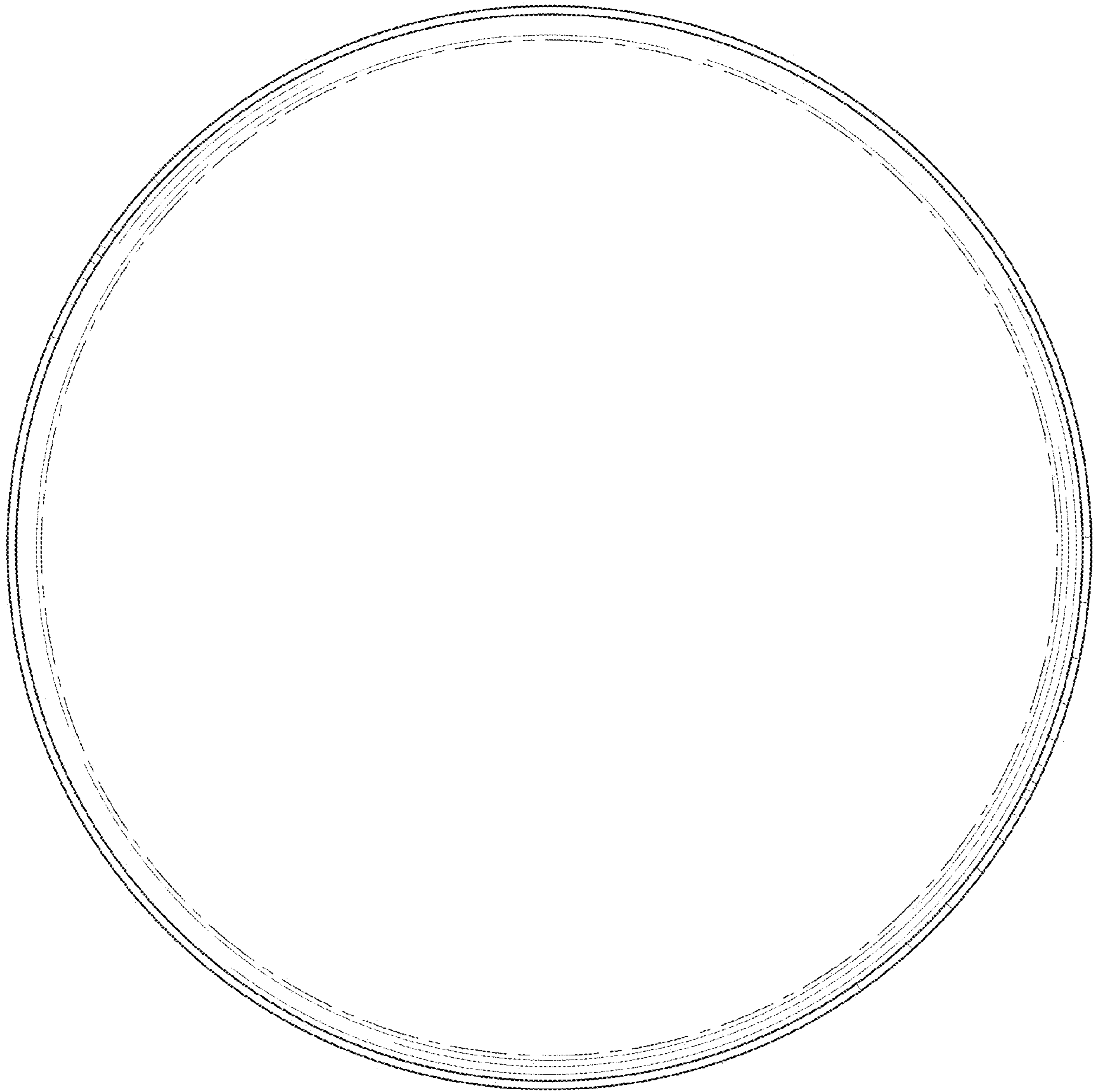


FIG. 6

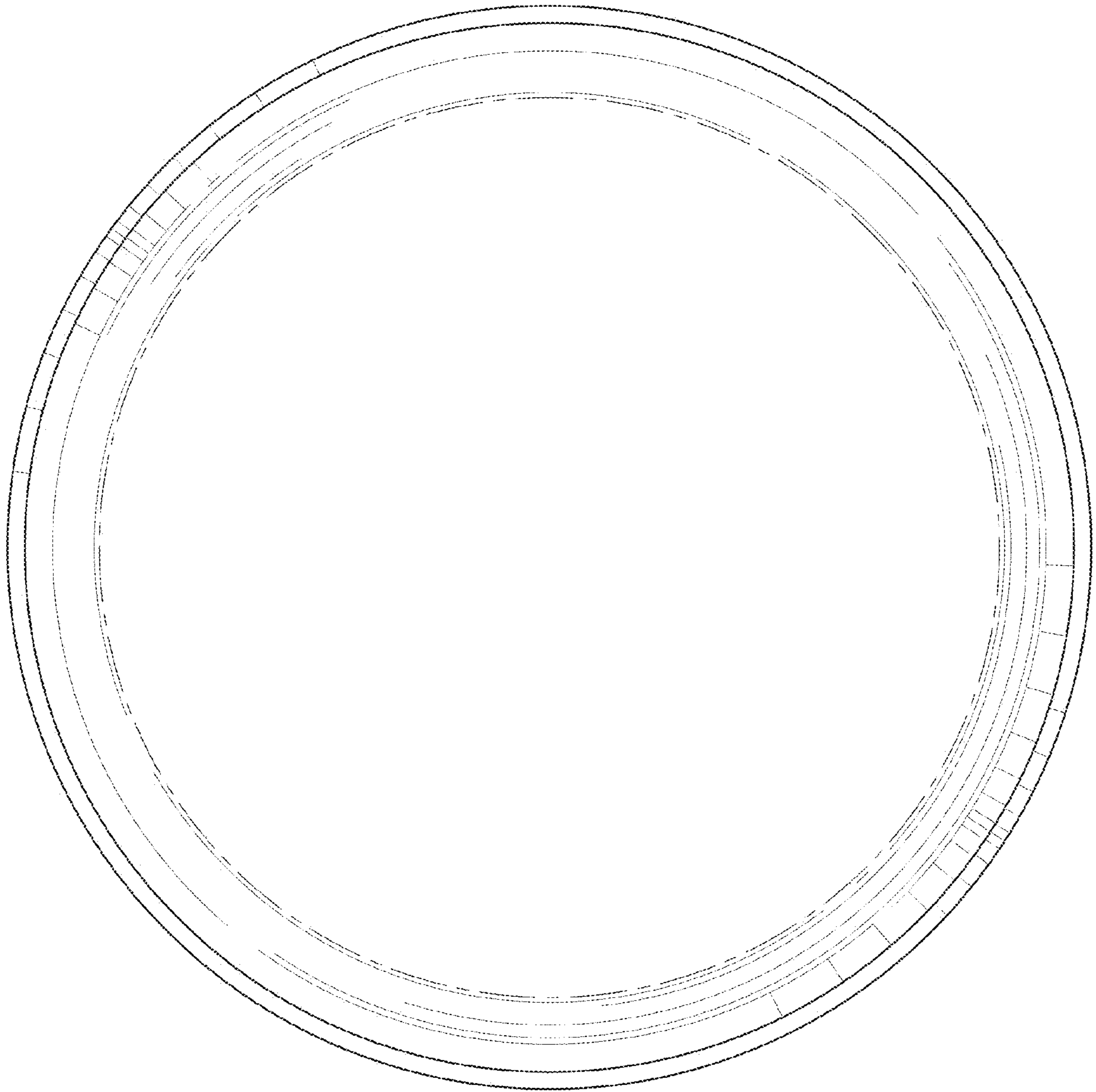


FIG. 7