



US00D974175S

(12) **United States Design Patent**
Berroa García

(10) **Patent No.:** **US D974,175 S**

(45) **Date of Patent:** **** Jan. 3, 2023**

(54) **CAP FOR BOTTLES**

(71) Applicant: **BETAPACK, S.A.U.**, Irun (ES)

(72) Inventor: **Francisco Javier Berroa García**, Irun (ES)

(73) Assignee: **BETAPACK, S.A.U.**, Irun (ES)

(**) Term: **15 Years**

(21) Appl. No.: **29/753,626**

(22) Filed: **Oct. 1, 2020**

(30) **Foreign Application Priority Data**

Apr. 30, 2020 (EM) 007847413

(51) **LOC (14) Cl.** **09-07**

(52) **U.S. Cl.**
USPC **D9/453; D9/454**

(58) **Field of Classification Search**
USPC D7/392.1, 396.2; D9/440, 443, 447, 449,
D9/452-454, 499, 434-436, 452-456
CPC B65D 41/34; B65D 41/0457; B65D
41/3428; B65D 55/16
See application file for complete search history.

(56) **References Cited**

U.S. PATENT DOCUMENTS

D57,048 S *	2/1921	Ingram	D9/452
D237,689 S *	11/1975	Davis	D7/392.1
D304,424 S *	11/1989	Dawson	D9/453
5,673,809 A *	10/1997	Ohmi	B65D 41/045
				215/343
D407,978 S *	4/1999	Petro	D9/453
D453,473 S *	2/2002	Del Bianco	D9/453
D513,181 S *	12/2005	Bloom	D9/453
D513,587 S *	1/2006	Forte	D9/454
D535,189 S *	1/2007	Pitman	D9/452
D573,022 S *	7/2008	Berman	D9/453
D586,213 S *	2/2009	Wells	D9/453

D592,954 S *	5/2009	Capretta	D9/453
D598,752 S *	8/2009	Wilson	D9/449
D606,864 S *	12/2009	Robinson	D9/453
D687,299 S *	8/2013	Peykoff	D9/453
D762,115 S *	7/2016	Corvaglia	D9/443
D795,006 S *	8/2017	Heiberger	D7/392.1
D836,442 S *	12/2018	Wood	D9/453
D863,963 S *	10/2019	Berroa García	D9/453

(Continued)

OTHER PUBLICATIONS

Betapack. Extra Tall. No date specified. <https://www.betapack.com/en/site/caps/37/extra-tall> (Year: 0).*

(Continued)

Primary Examiner — Darcey E Gottschalk

(74) *Attorney, Agent, or Firm* — Cantor Colburn LLP

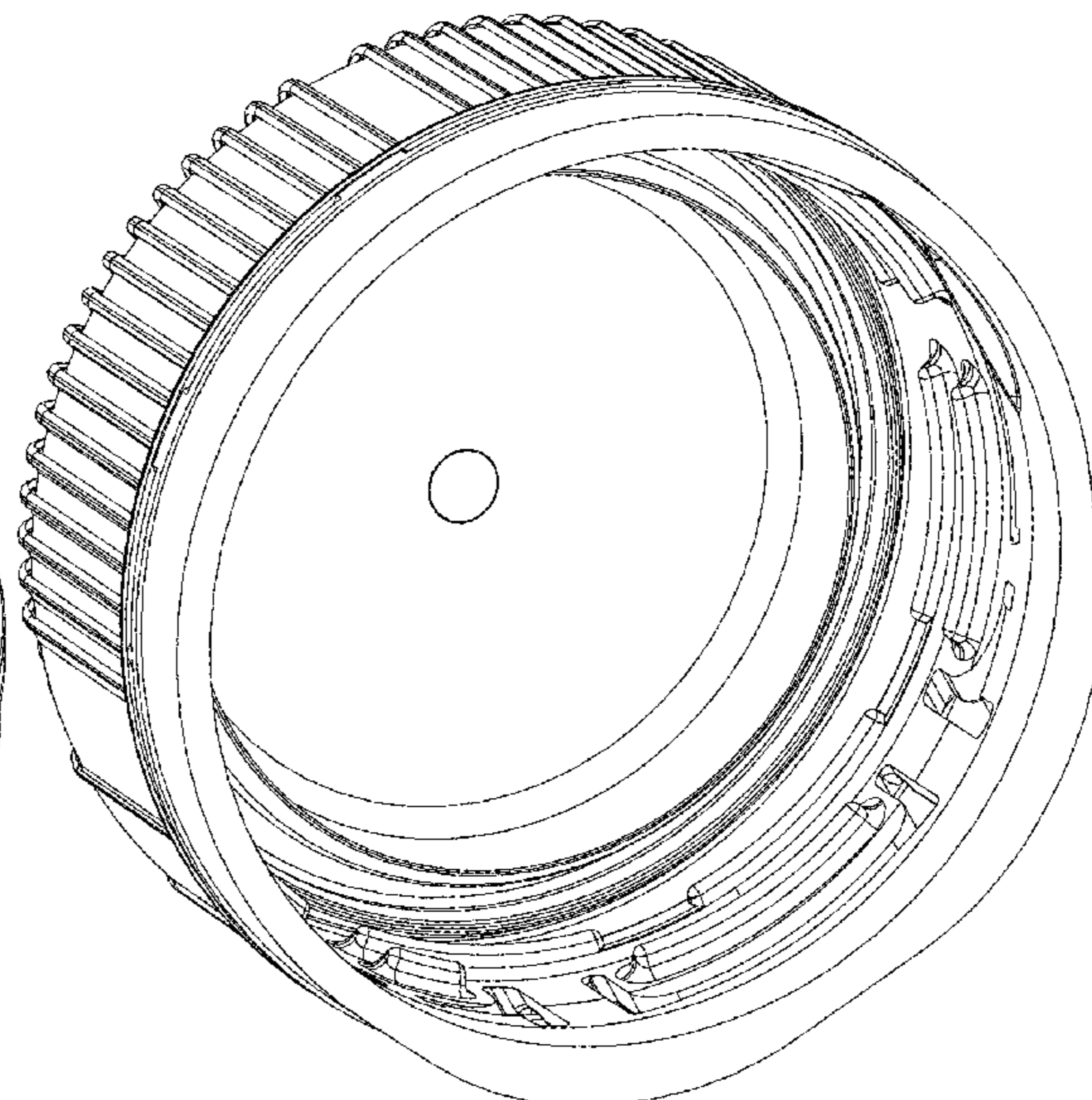
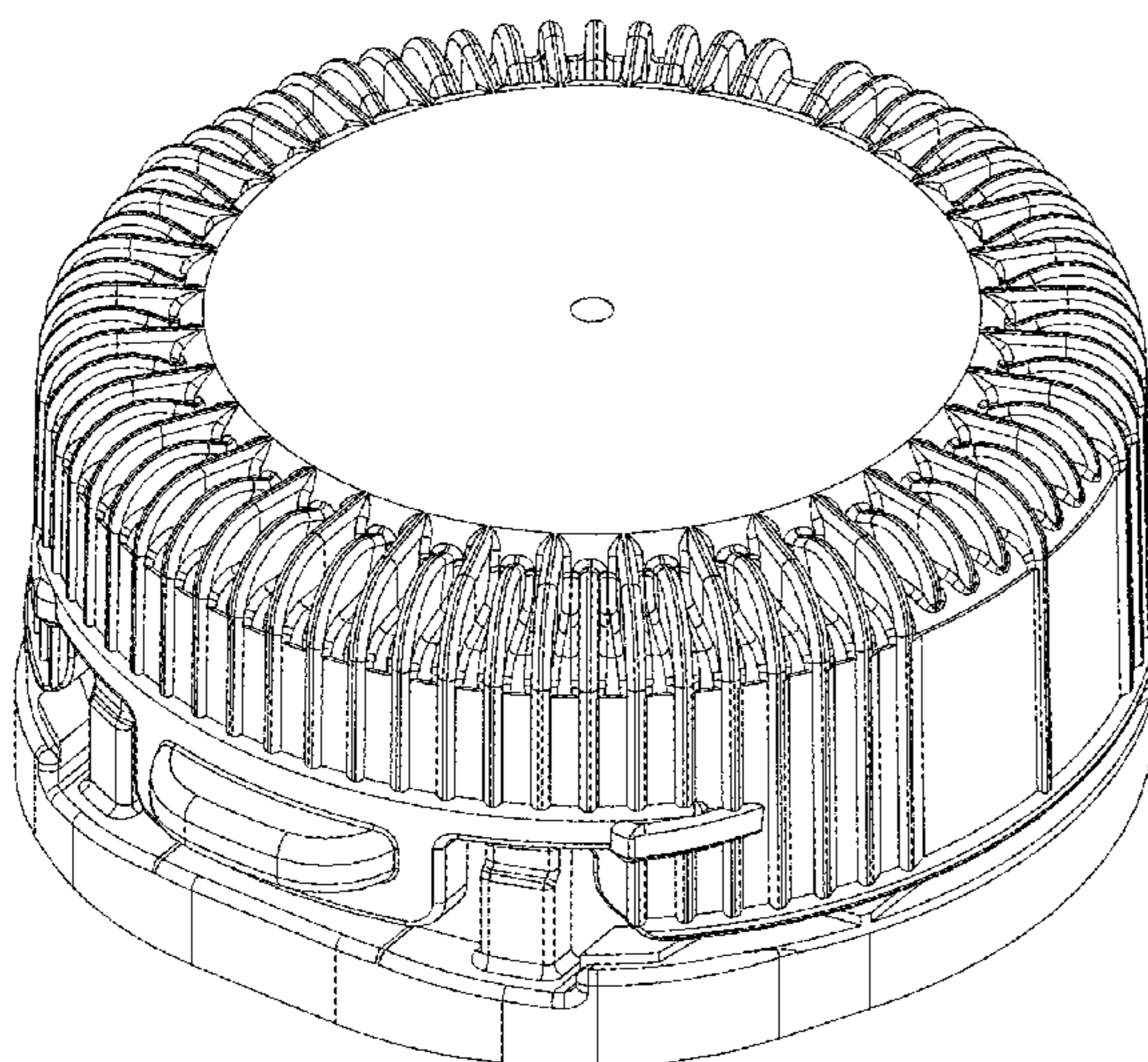
(57) **CLAIM**

I claim, the ornamental design for a cap for bottles, as shown and described.

DESCRIPTION

FIG. 1 is a perspective view of a cap for bottles, showing my new design;
 FIG. 2 is a front view thereof;
 FIG. 3 is a top view thereof;
 FIG. 4 is a side view thereof;
 FIG. 5 is a rear view thereof;
 FIG. 6 is a bottom view thereof;
 FIG. 7 is a side view thereof opposite from that of FIG. 4;
 FIG. 8 is another perspective view thereof;
 FIG. 9 is an enlarged partial view of FIG. 8;
 FIG. 10 is another perspective view thereof;
 FIG. 11 is an enlarged partial view of FIG. 10;
 FIG. 12 is another enlarged partial view of FIG. 10;
 FIG. 13 is a bottom perspective view thereof; and,
 FIG. 14 is another bottom perspective view thereof.

1 Claim, 14 Drawing Sheets



(56)

References Cited

U.S. PATENT DOCUMENTS

D885,899	S *	6/2020	Edie	D9/452
D885,900	S *	6/2020	Edie	D9/452
D885,902	S *	6/2020	Berroa Garcia	D9/452
10,836,549	B2 *	11/2020	Maguire	B65D 41/3447
D908,497	S *	1/2021	Delfanti	D9/453
2004/0074861	A1 *	4/2004	Chuang	B65D 41/3428
				215/252
2011/0114593	A1 *	5/2011	Ishii	B65D 55/16
				215/253
2015/0027976	A1 *	1/2015	de St. Jeor	B65D 41/3423
				215/316
2016/0176586	A1 *	6/2016	Mélan-Moutet ...	B65D 41/0414
				215/252
2018/0118418	A1 *	5/2018	Nakamura	B65D 41/3428
2020/0399036	A1 *	12/2020	Dai	B65D 41/325
2021/0094734	A1 *	4/2021	Danks	B65D 47/0838
2021/0229873	A1 *	7/2021	Berroa García	B65D 55/16
2021/0300648	A1 *	9/2021	Bassi	B65D 55/16

OTHER PUBLICATIONS

Amazon. 28mm Sneak Alcohol Caps Reseal Your Water Bottle Perfectly (12) | Leak Free, Fits Fiji Perfectly | Bootleg, Smuggle, Hide, Sneak Liquor Anywhere for Concerts, Sports & Festivals | 12 Blue Screw Caps. Dec. 6, 2019. <https://amzn.to/3KysDQB> (Year: 2019).*

* cited by examiner

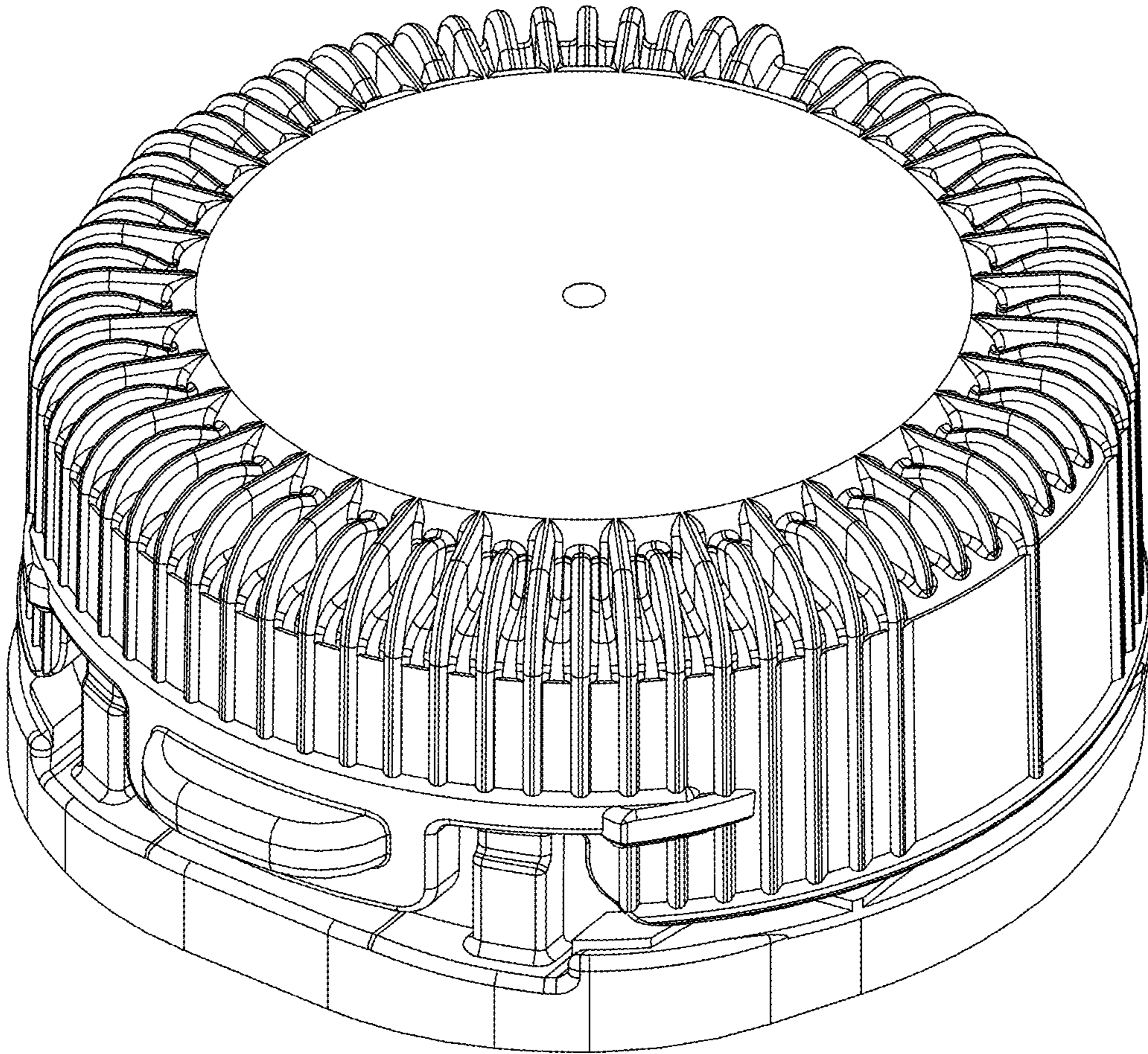


FIG. 1

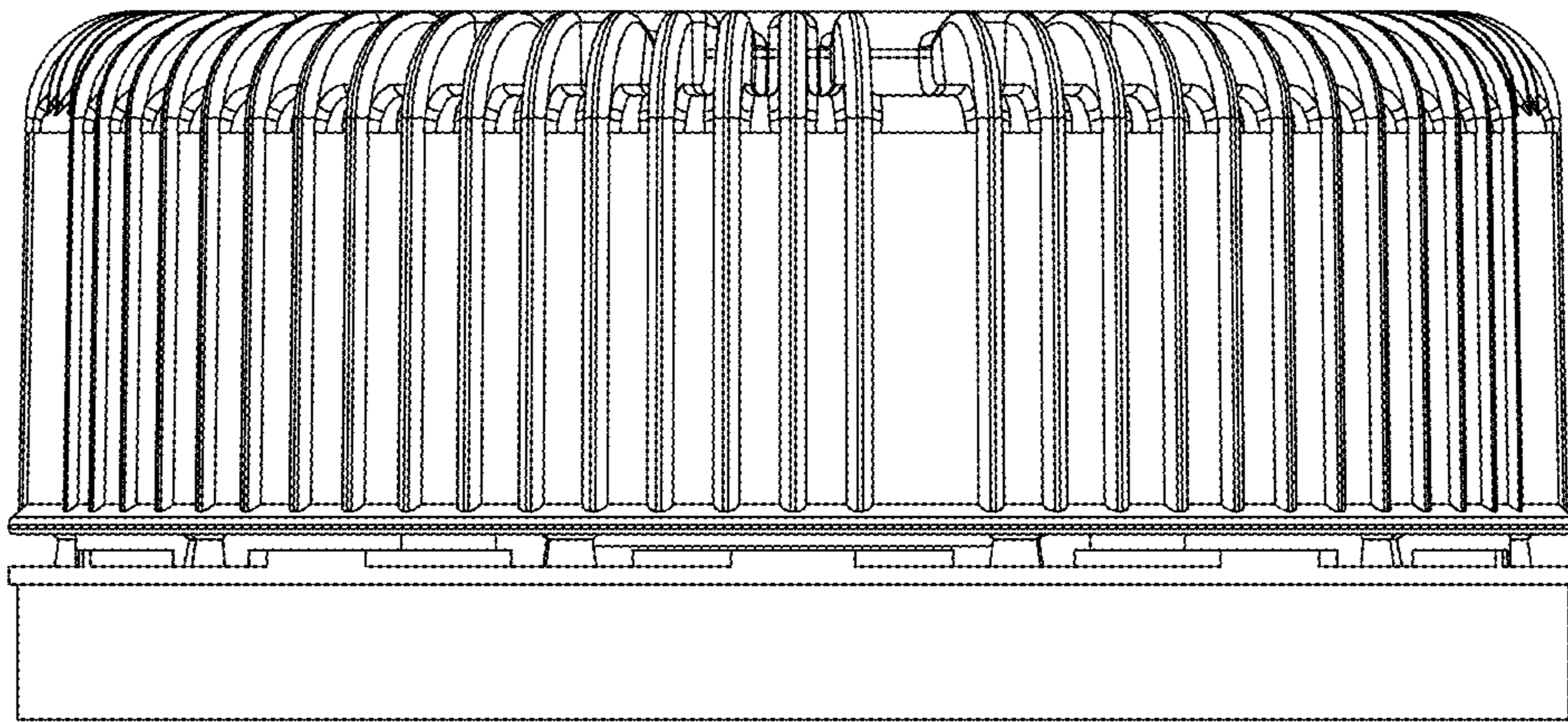


FIG. 2

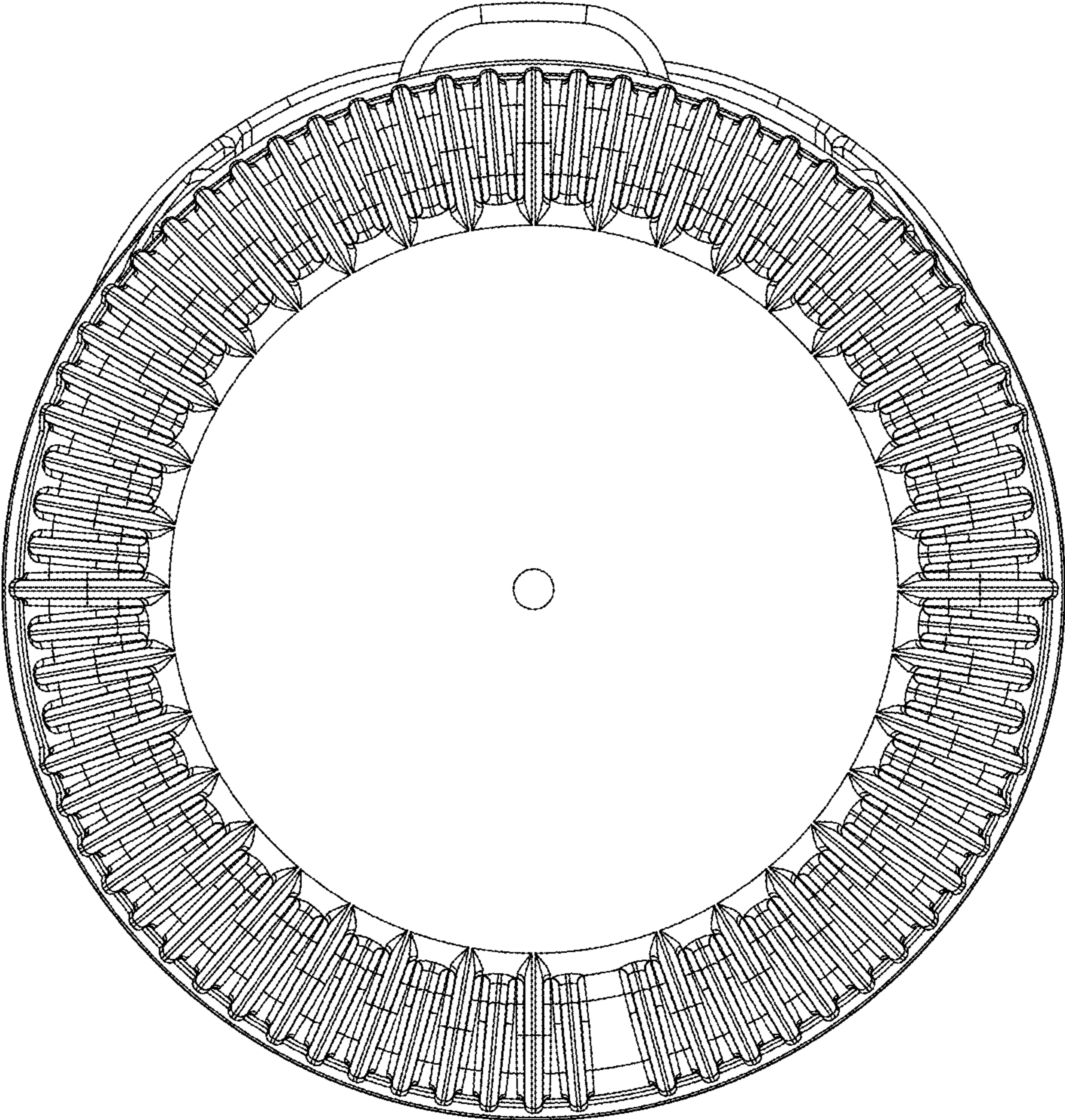


FIG. 3

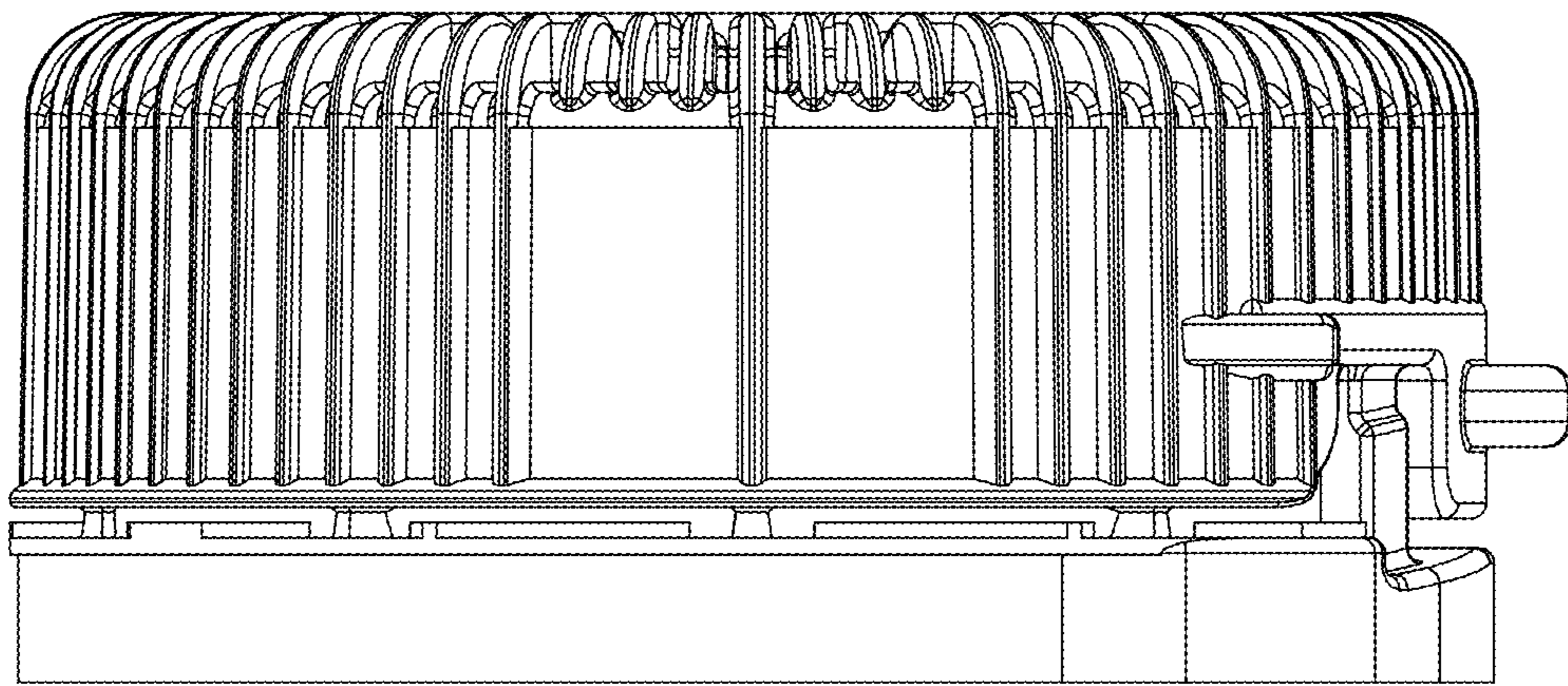


FIG. 4

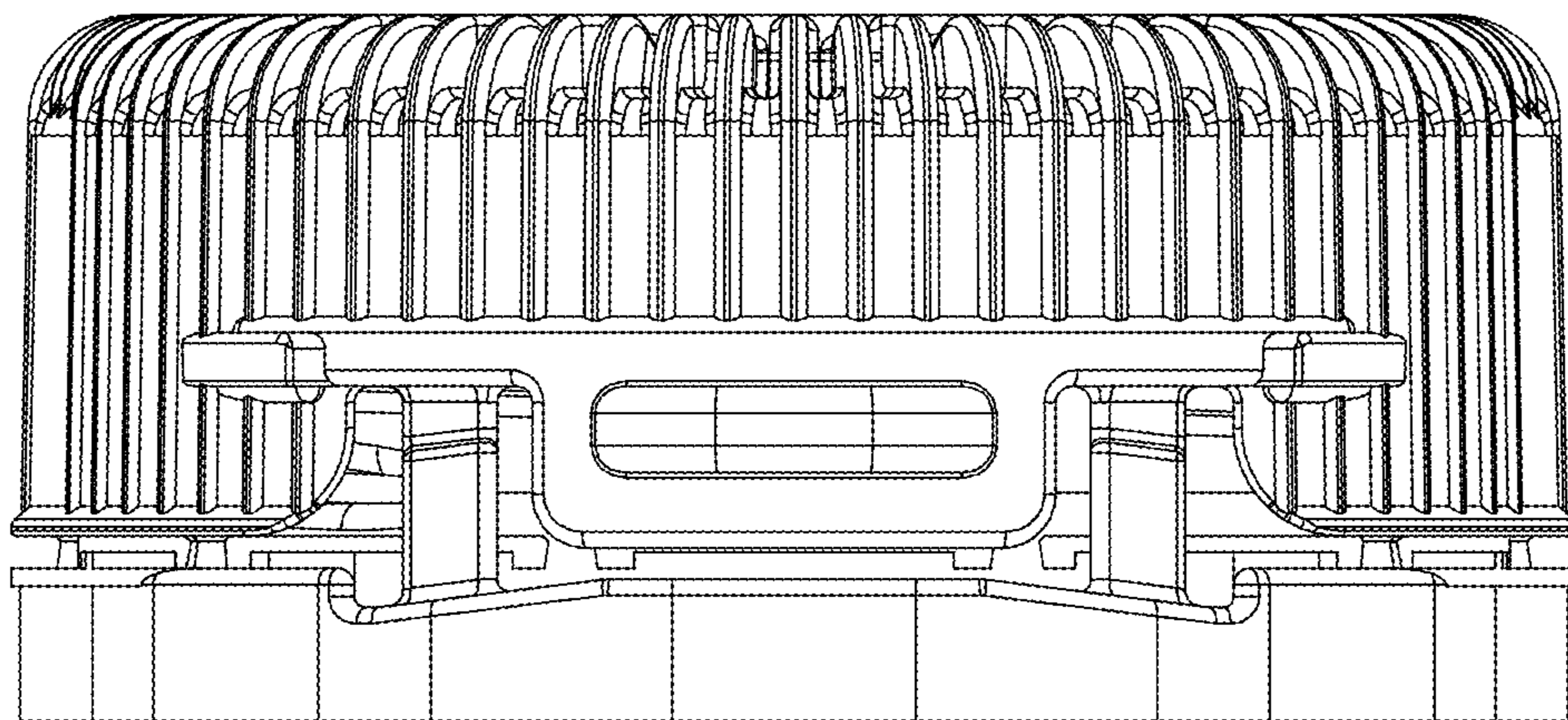


FIG. 5

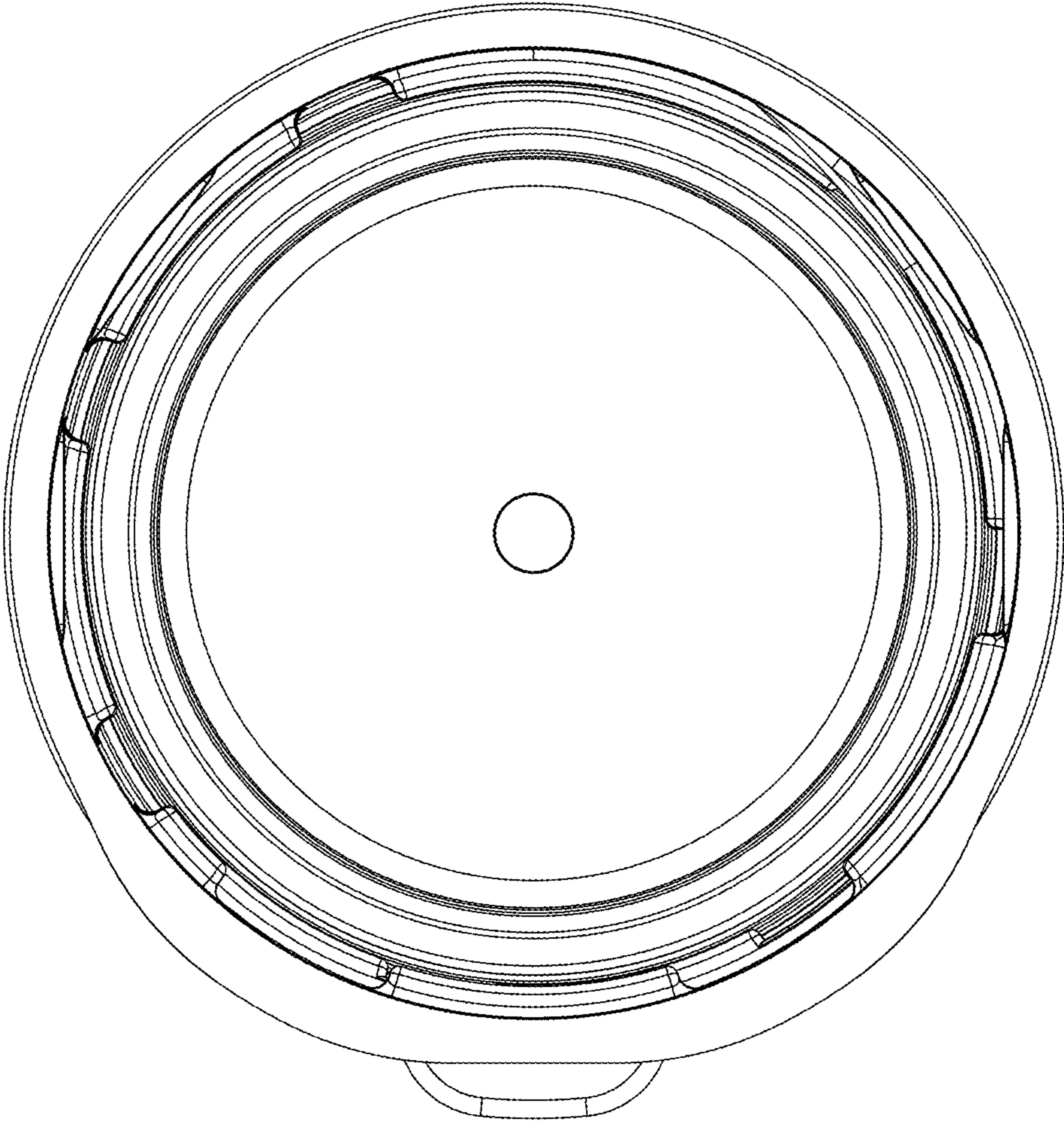


FIG. 6

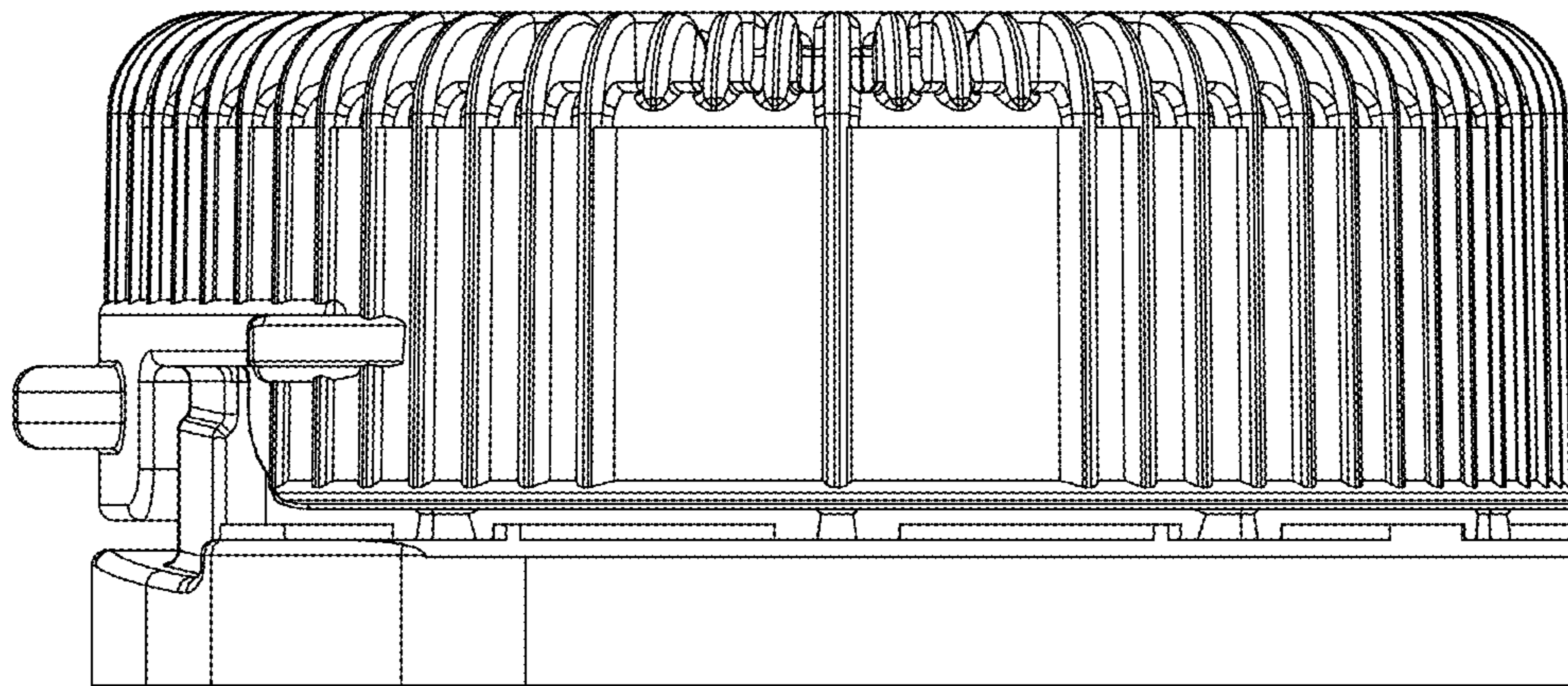


FIG. 7

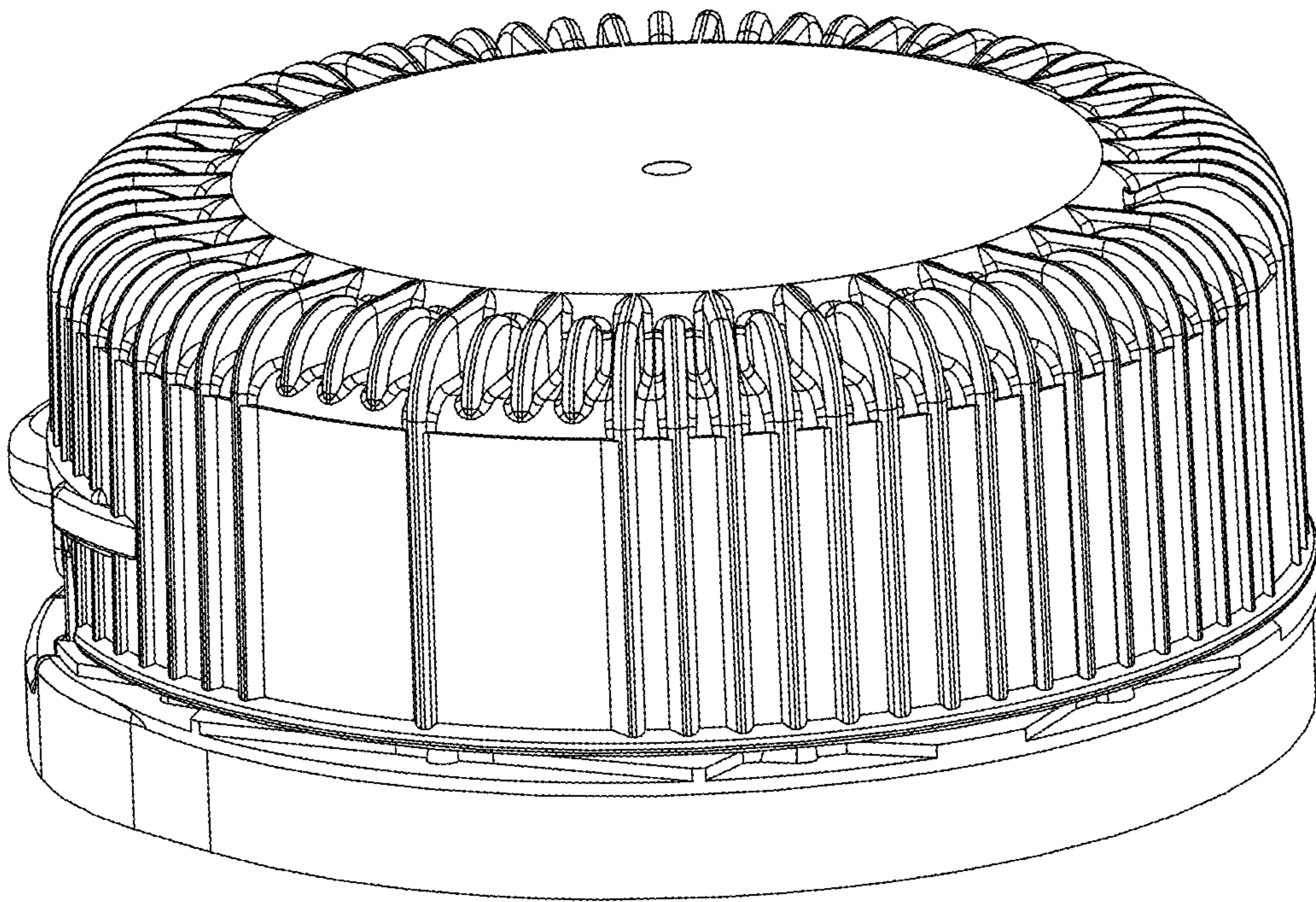


FIG. 8

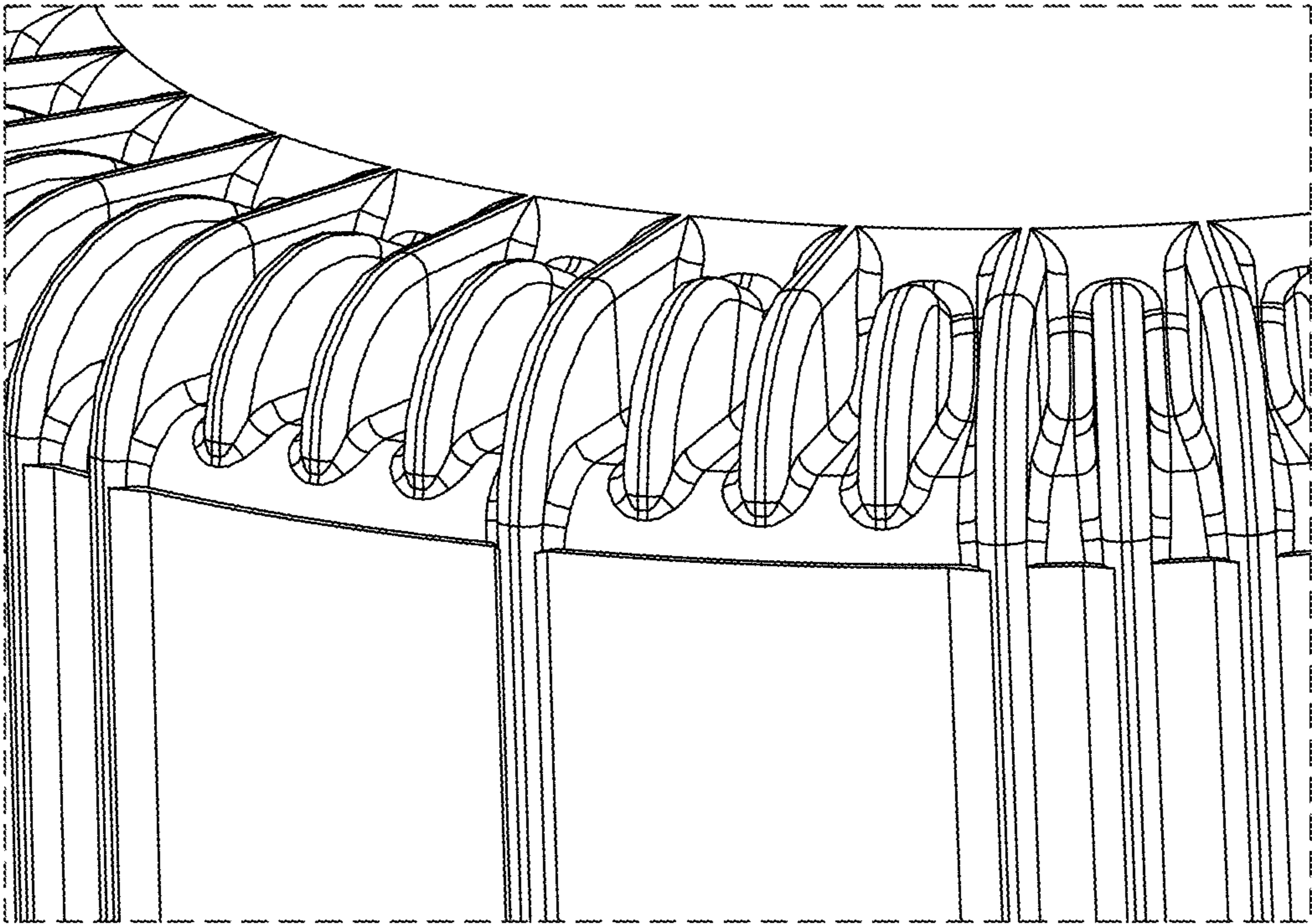


FIG. 9

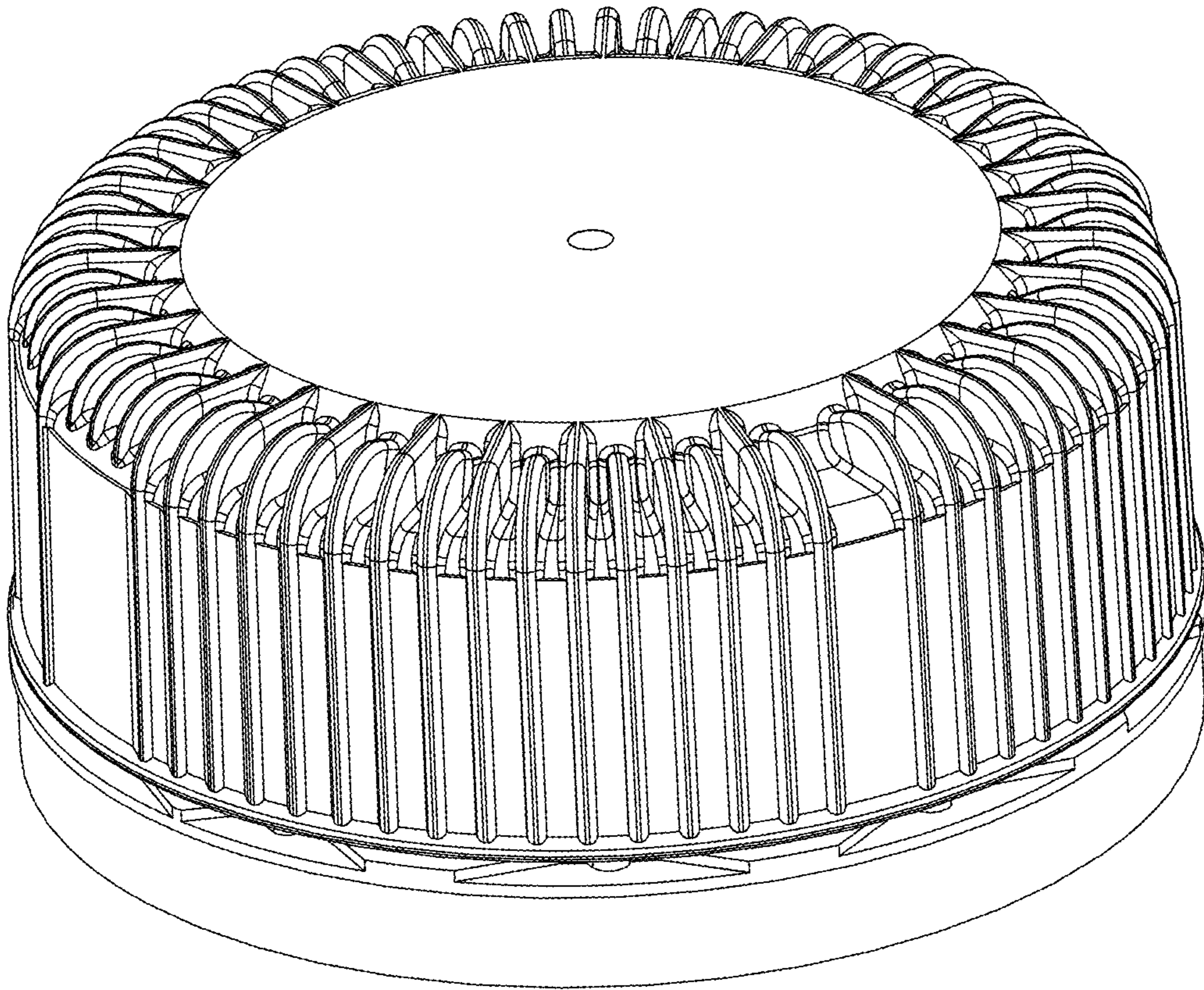


FIG. 10

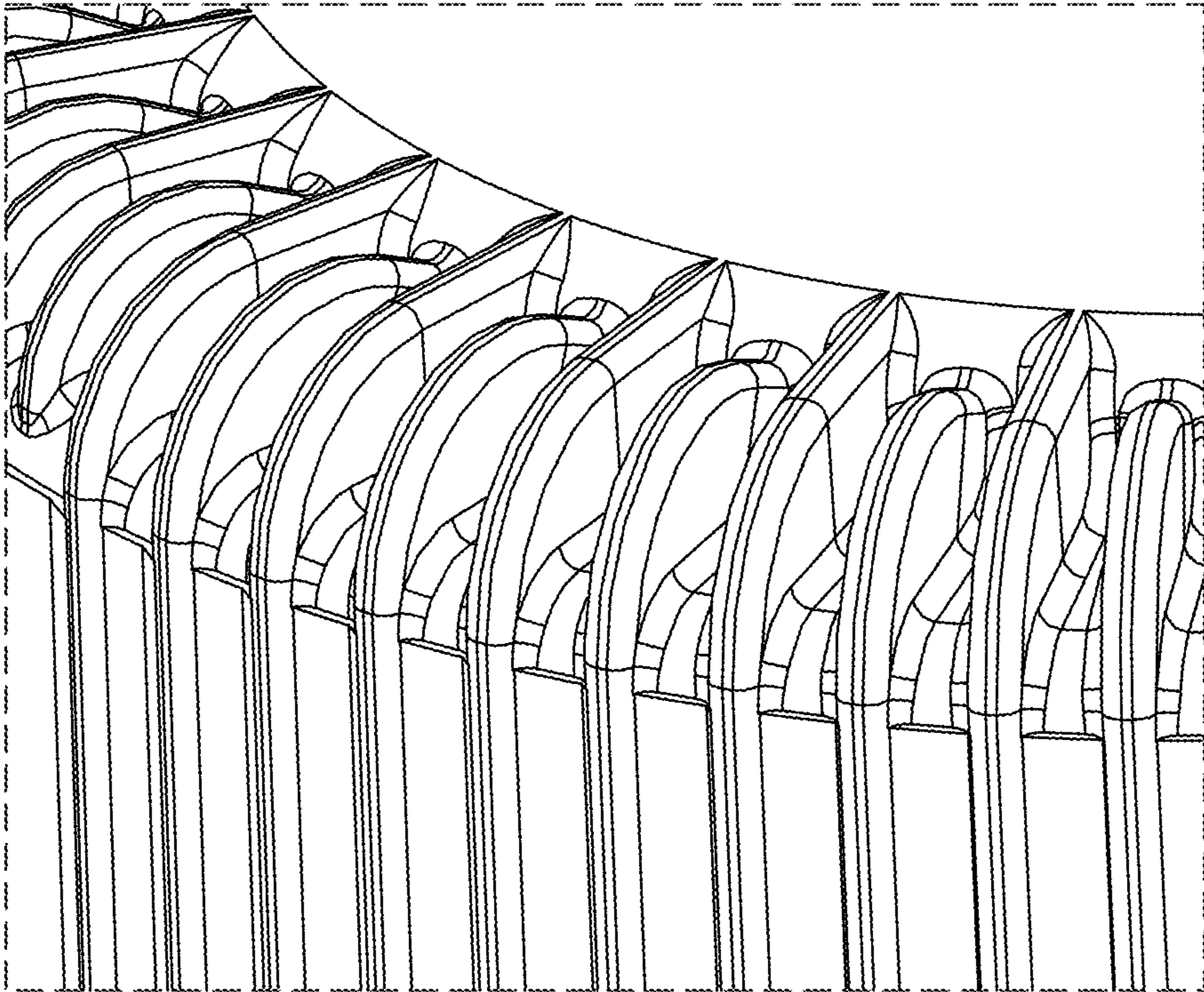


FIG. 11

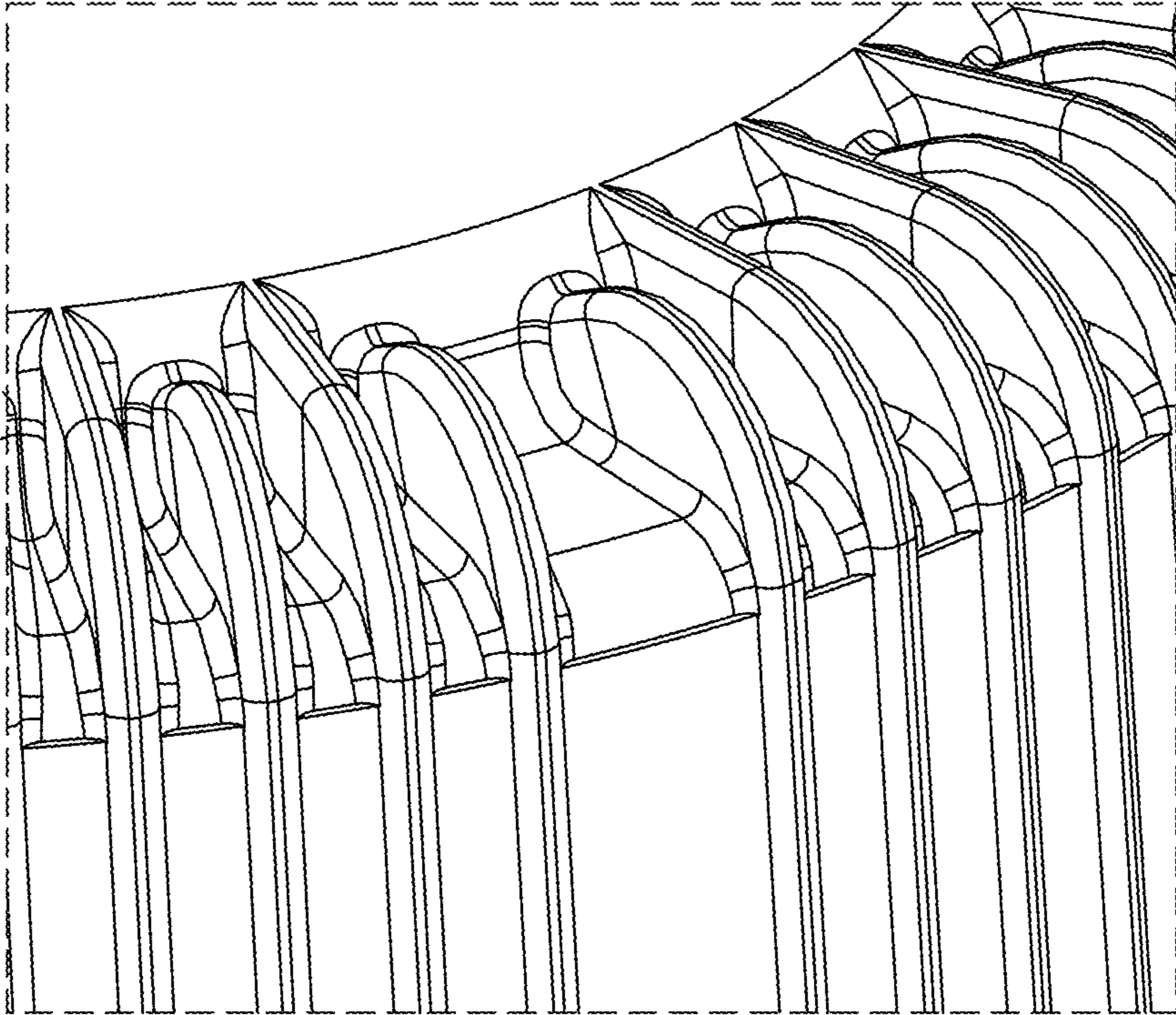


FIG. 12

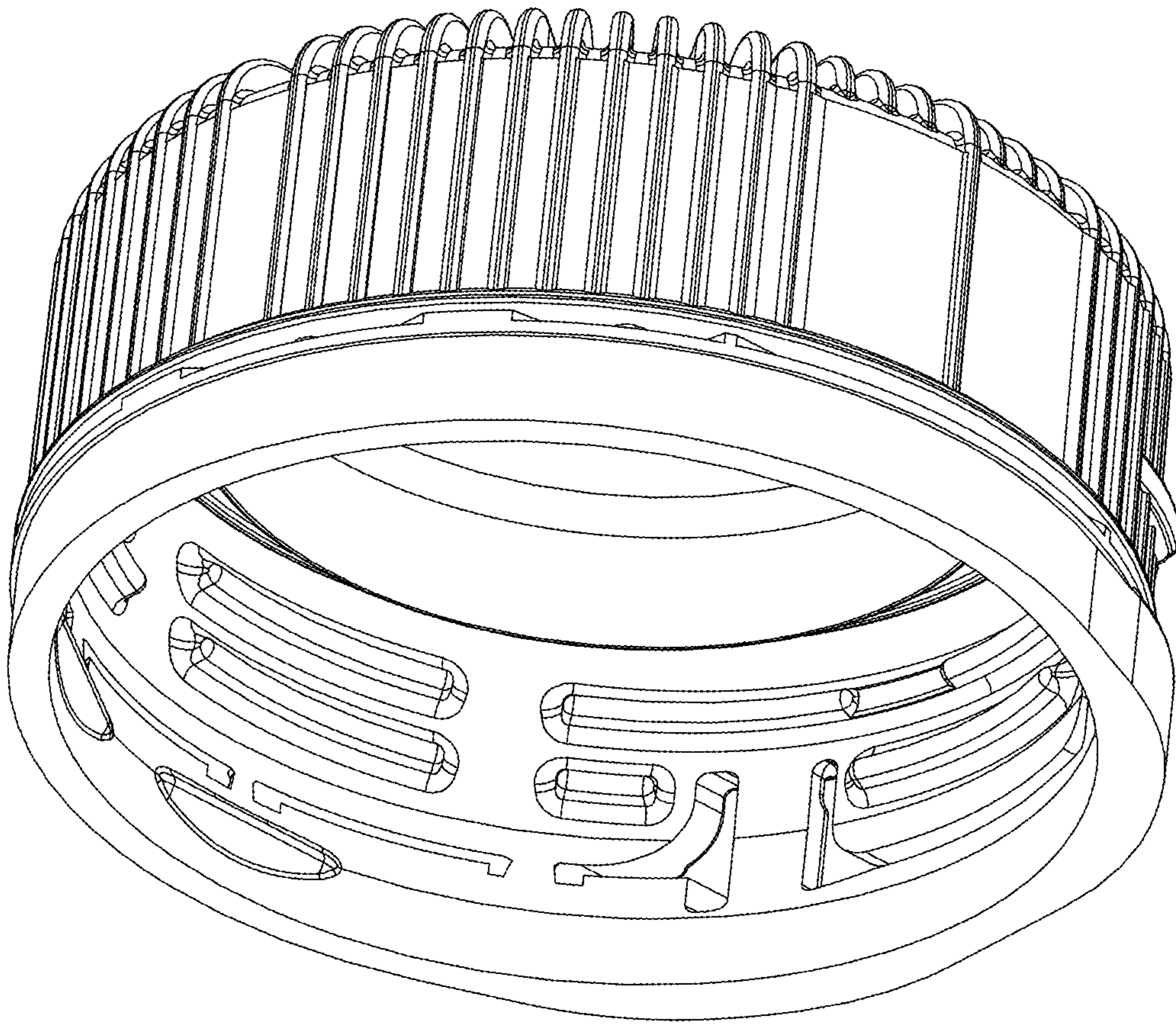


FIG. 13

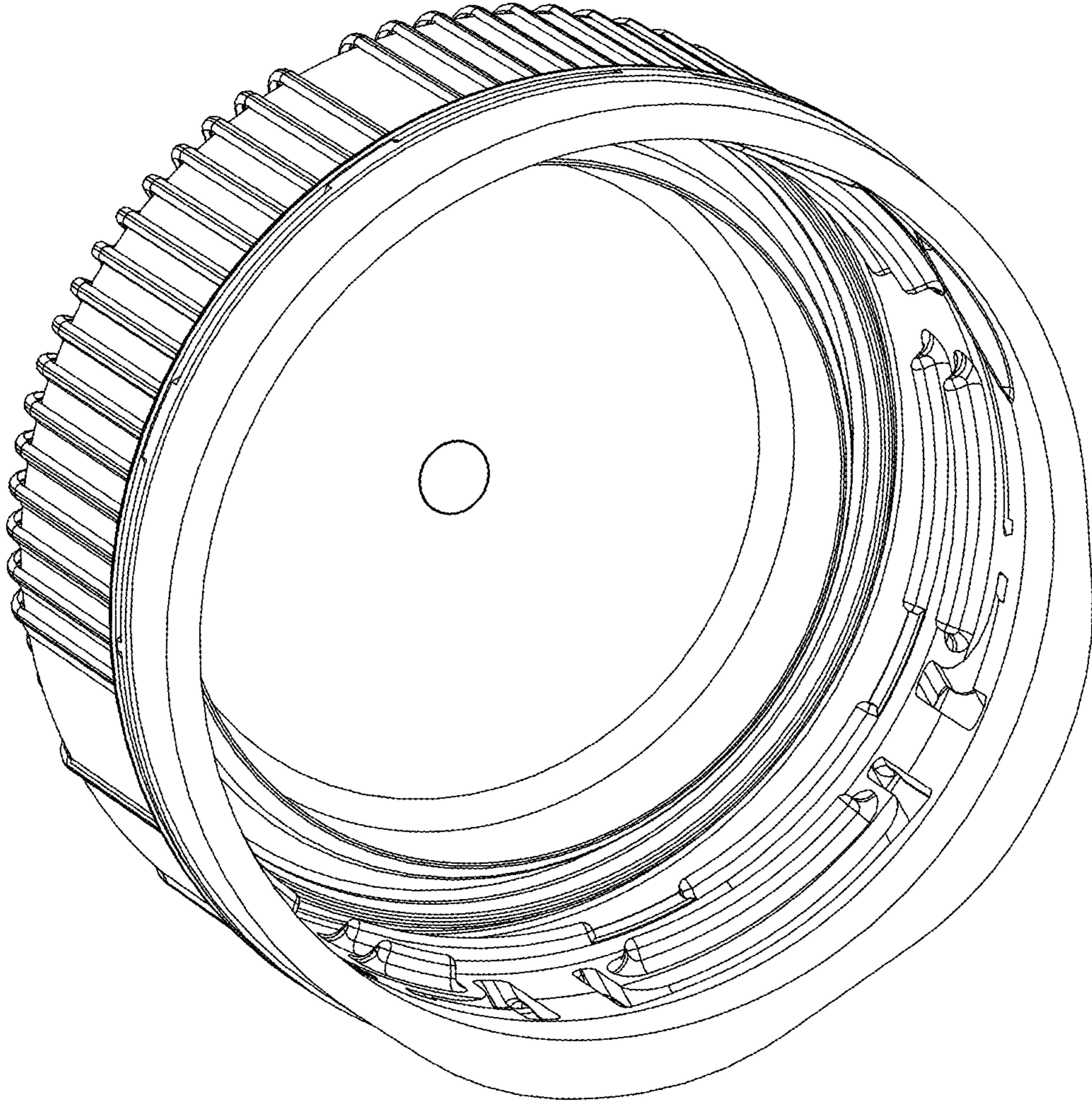


FIG. 14