



US00D974174S

(12) **United States Design Patent** (10) **Patent No.:** **US D974,174 S**  
**Vivas** (45) **Date of Patent:** **\*\* Jan. 3, 2023**

(54) **PERFUME BOTTLE**  
(71) Applicant: **Penhaligon's Limited**, London (GB)  
(72) Inventor: **Josep Vivas**, Barcelona (ES)  
(73) Assignee: **PENHALIGON'S LIMITED**, London (GB)

D869,949 S \* 12/2019 Vivas ..... D9/608  
D872,585 S \* 1/2020 Vivas ..... D9/451  
D872,588 S \* 1/2020 Vivas ..... D9/451  
D872,589 S \* 1/2020 Vivas ..... D9/451  
D872,590 S \* 1/2020 Vivas ..... D9/451

(\*\*) Term: **15 Years**  
(21) Appl. No.: **29/730,541**  
(22) Filed: **Apr. 6, 2020**

(30) **Foreign Application Priority Data**  
Oct. 7, 2019 (EM) ..... 006988663  
(51) **LOC (14) Cl.** ..... **09-07**  
(52) **U.S. Cl.**  
USPC ..... **D9/451**  
(58) **Field of Classification Search**  
USPC ..... D9/600, 601, 607, 434, 435, 439-441,  
D9/447-451; D11/143, 146, 152, 154,  
D11/156  
CPC .... B65D 5/42; B65D 5/4258; B65D 2203/00;  
B65D 2203/02; B65D 1/02  
See application file for complete search history.

**OTHER PUBLICATIONS**

Ebay Avon Rams Head Decanter Wild Country After Shave. [Online] 3 pages. Published on: Dec. 31, 2021. Retrieved Jun. 30, 2022 from URL: <https://www.ebay.com/itm/143593344861?chn=ps&\_trkparms=ispr%3D1&amdata=enc%3A1LPB5RLIVSHujlINVXUFAUKg62&norover=1&mkevt=1&m%E2%80%A6> (Year: 2021).\*

(Continued)

*Primary Examiner* — Shawn T Gingrich  
(74) *Attorney, Agent, or Firm* — FisherBroyles, LLP;  
Jason M. Pass

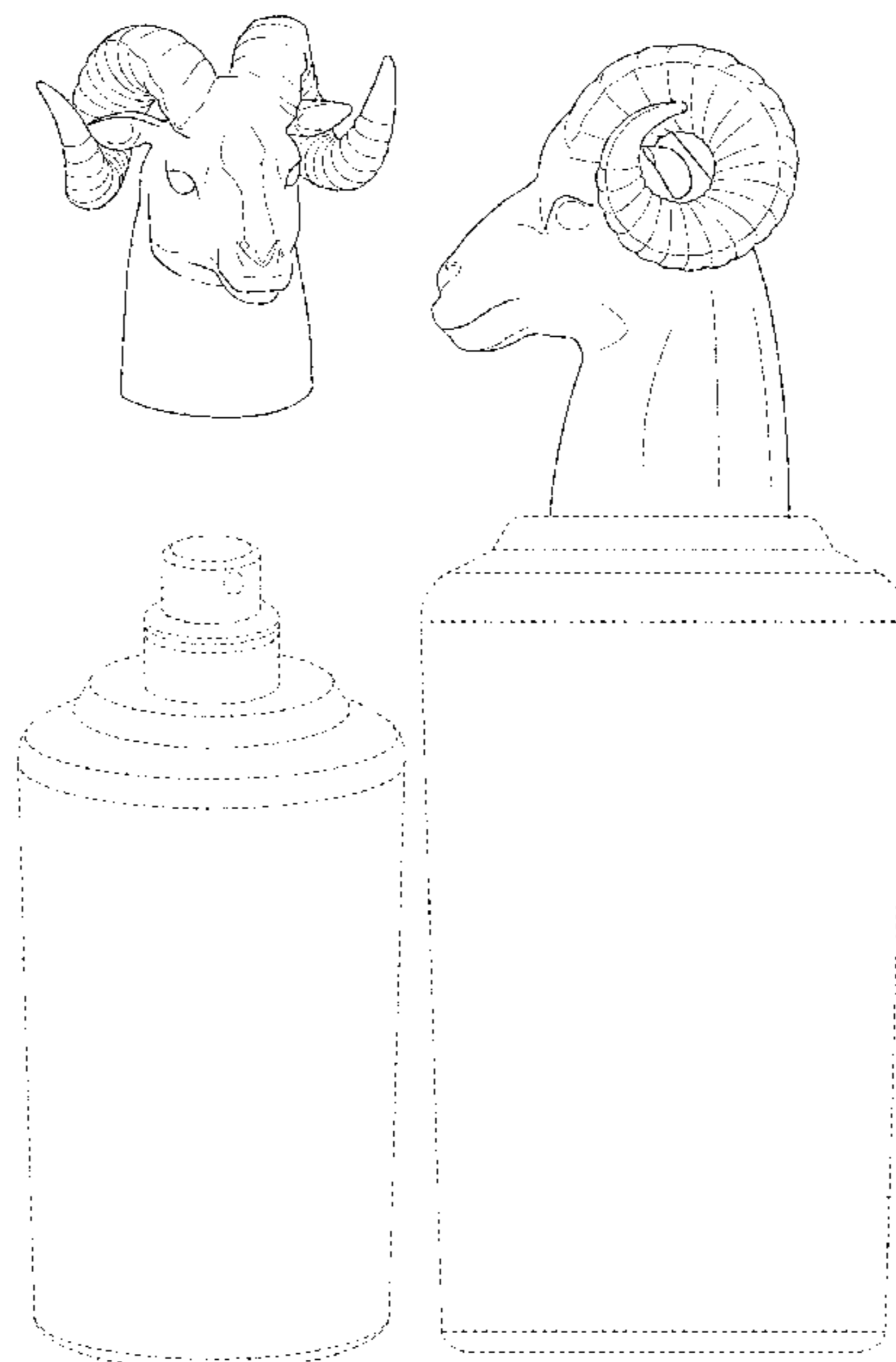
(56) **References Cited**  
U.S. PATENT DOCUMENTS  
D259,624 S \* 6/1981 Sztuden ..... D9/558  
D328,707 S \* 8/1992 Isaak ..... D9/451  
D795,699 S \* 8/2017 Vivas ..... D9/563  
D798,150 S \* 9/2017 Vivas ..... D9/503  
D798,151 S \* 9/2017 Vivas ..... D9/503  
D798,152 S \* 9/2017 Vivas ..... D9/503  
D798,153 S \* 9/2017 Vivas ..... D9/503  
D834,415 S \* 11/2018 Luther ..... D9/451  
D834,418 S \* 11/2018 Luther ..... D9/451

(57) **CLAIM**  
I claim the ornamental design for a perfume bottle, as shown and described.

**DESCRIPTION**

FIG. 1 is an exploded front perspective view of a perfume bottle with the cap removed from the bottle, according to my design;  
FIG. 2 is a front view of the perfume bottle of FIG. 1, shown with the cap situated on the bottle;  
FIG. 3 is a right side view thereof;  
FIG. 4 is a left side view thereof;  
FIG. 5 is a rear view thereof; and,  
FIG. 6 is a top view thereof.  
The broken lines shown in the drawings illustrate portions of the perfume bottle that form no part of the claimed design.

**1 Claim, 6 Drawing Sheets**



(56)

**References Cited**

OTHER PUBLICATIONS

Ebay Gothic Silvertone Goat Ram Head Bottle Stopper. [Online] 3 pages. Published on: May 29, 2022. Retrieved Jun. 30, 2022 from URL: <<https://www.ebay.com/itm/175272278161?chn=ps&norover=1&mkevt=1&mkrid=711-117182-37290-0&mkcid=2&itemid=175272278161&targetid=1263%E2%80%A6>> (Year: 2022).\*

Poshmark Vintage Gold Ram Perfume Bottle Pendant. [Online] 4 pages. First available 1970. Retrieved Jun. 30, 2022 from URL: <<https://poshmark.com/listing/Vintage-Gold-Ram-Perfume-Bottle-Pendant-5a735ae0b7f72b447b21f420>> (Year: 1970).\*

\* cited by examiner

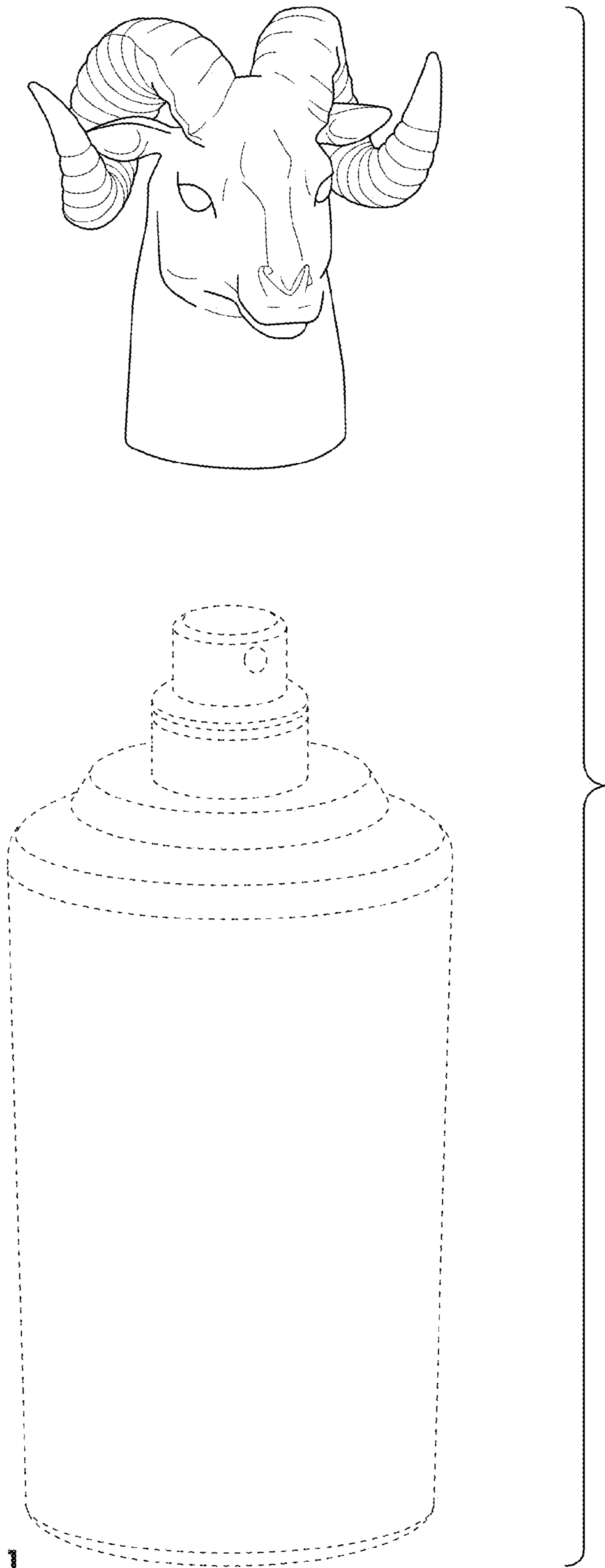


FIG. 1

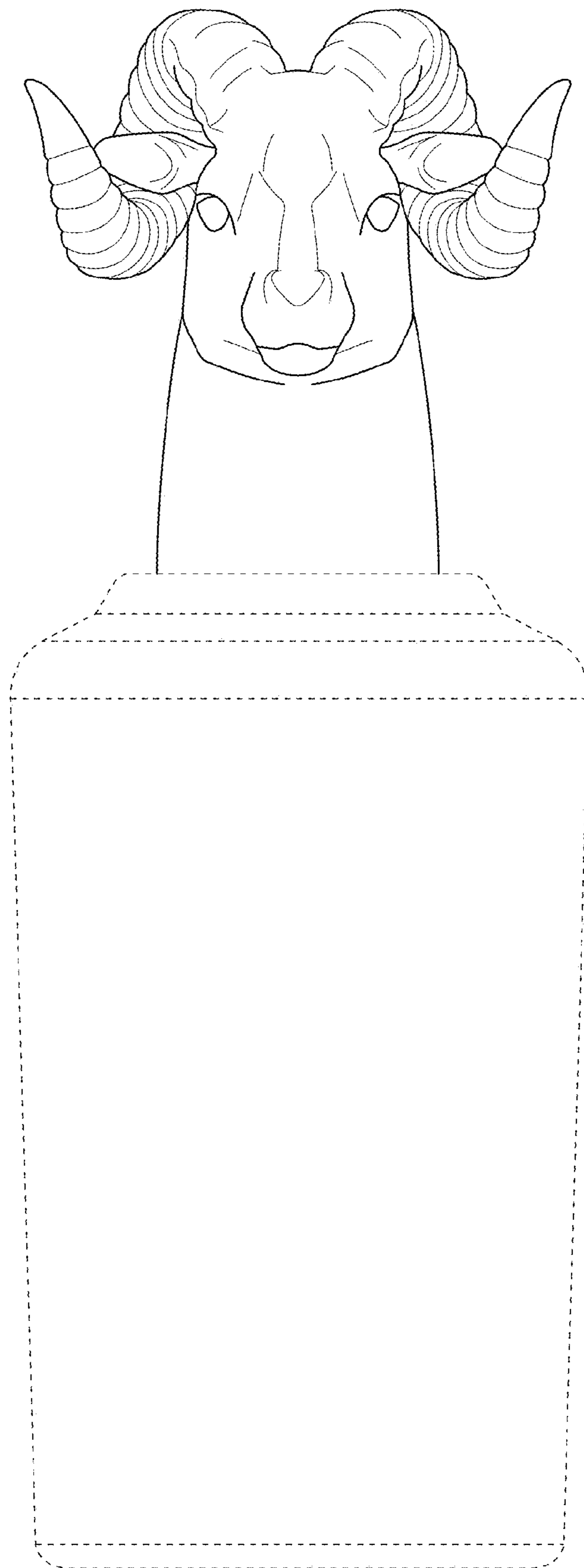


FIG. 2

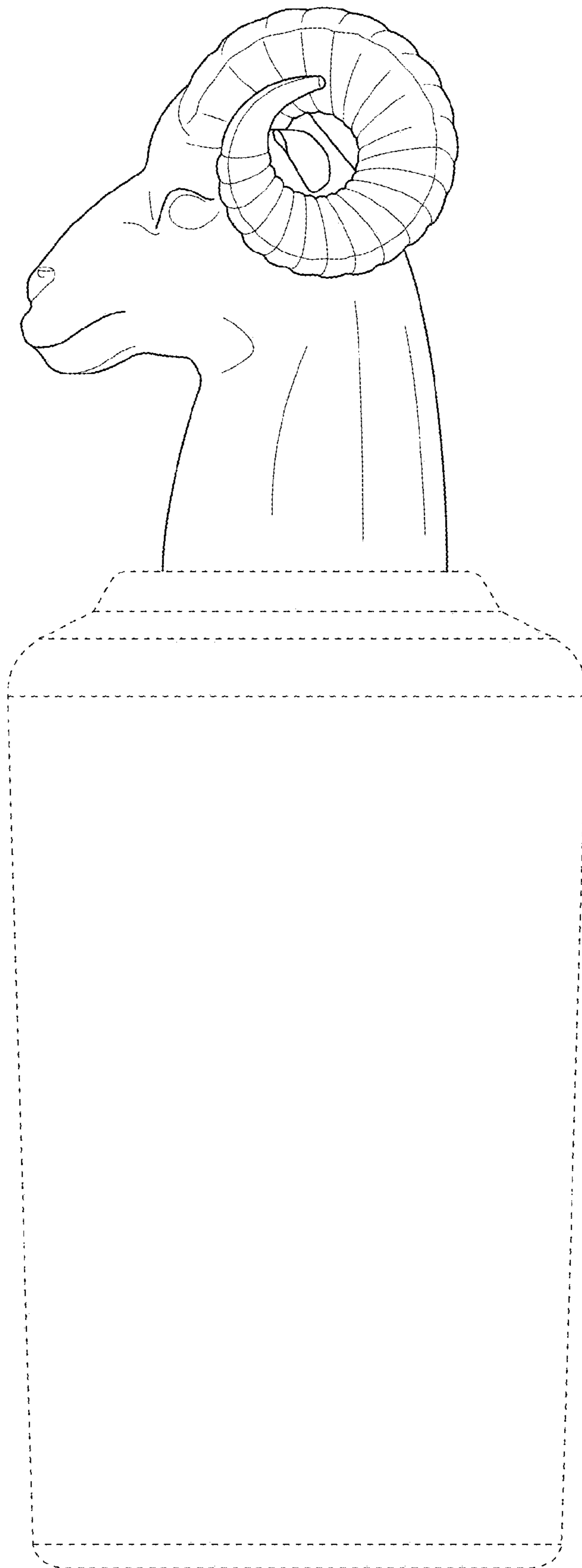


FIG. 3

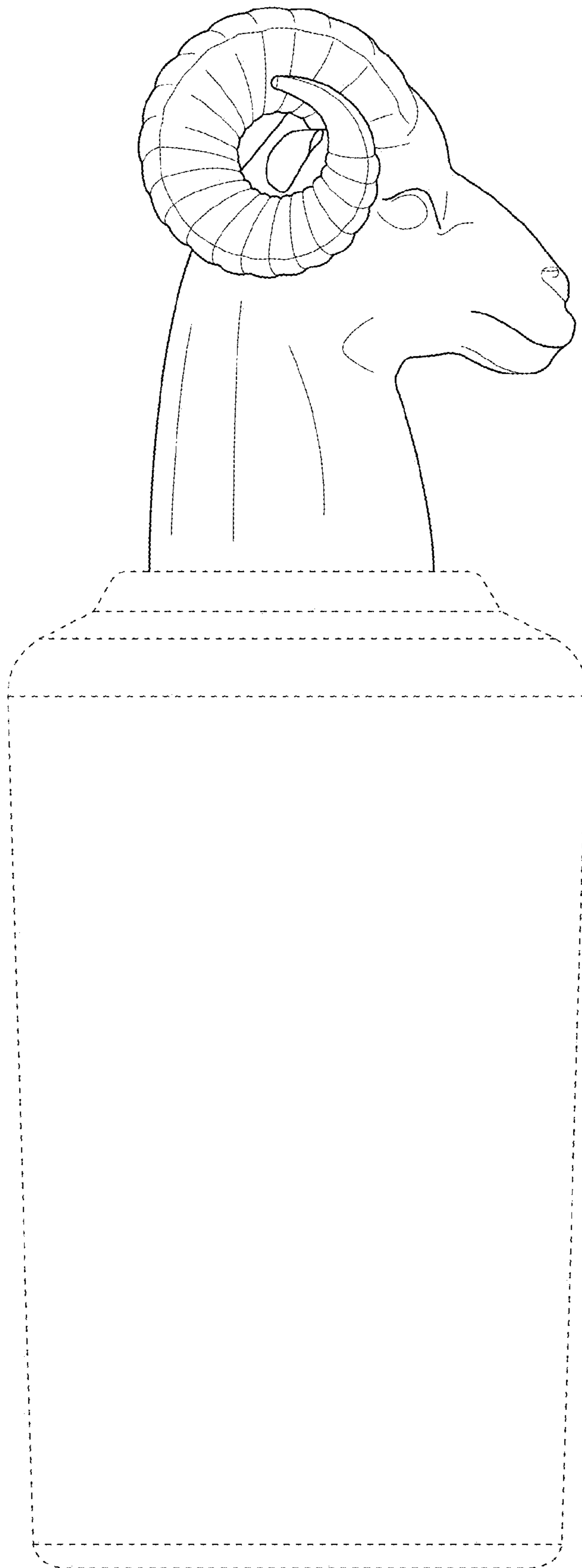


FIG. 4

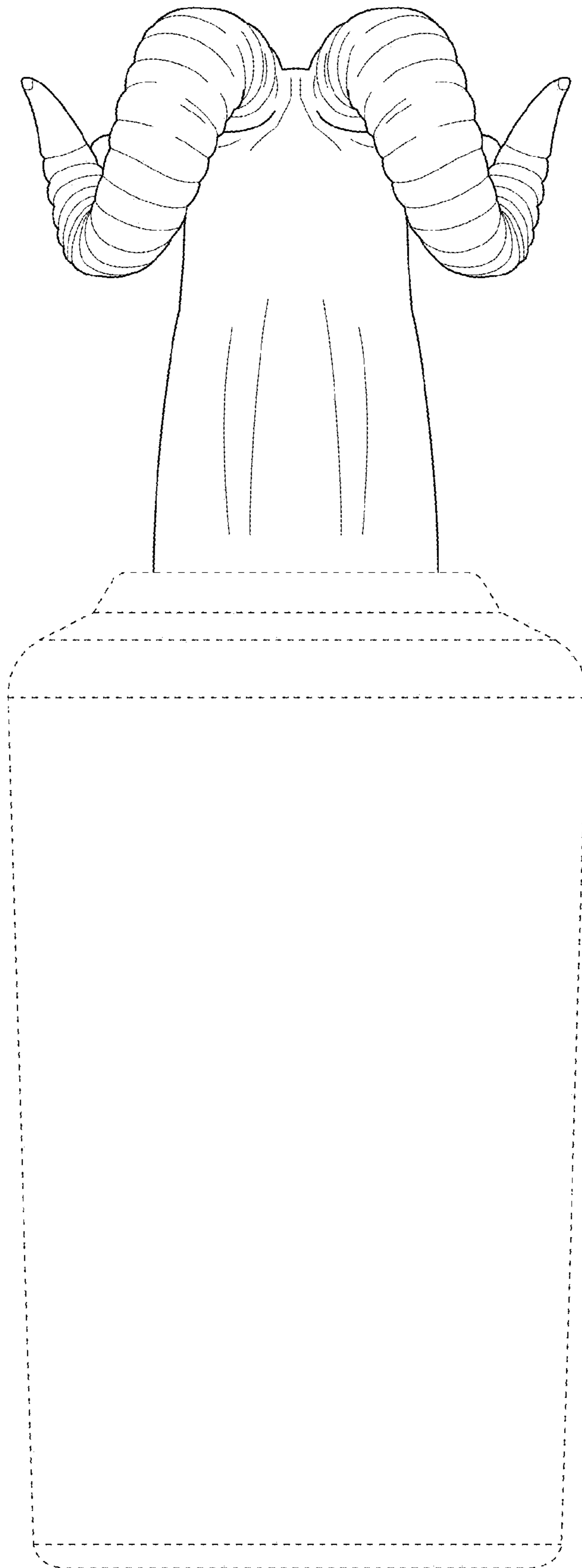


FIG. 5

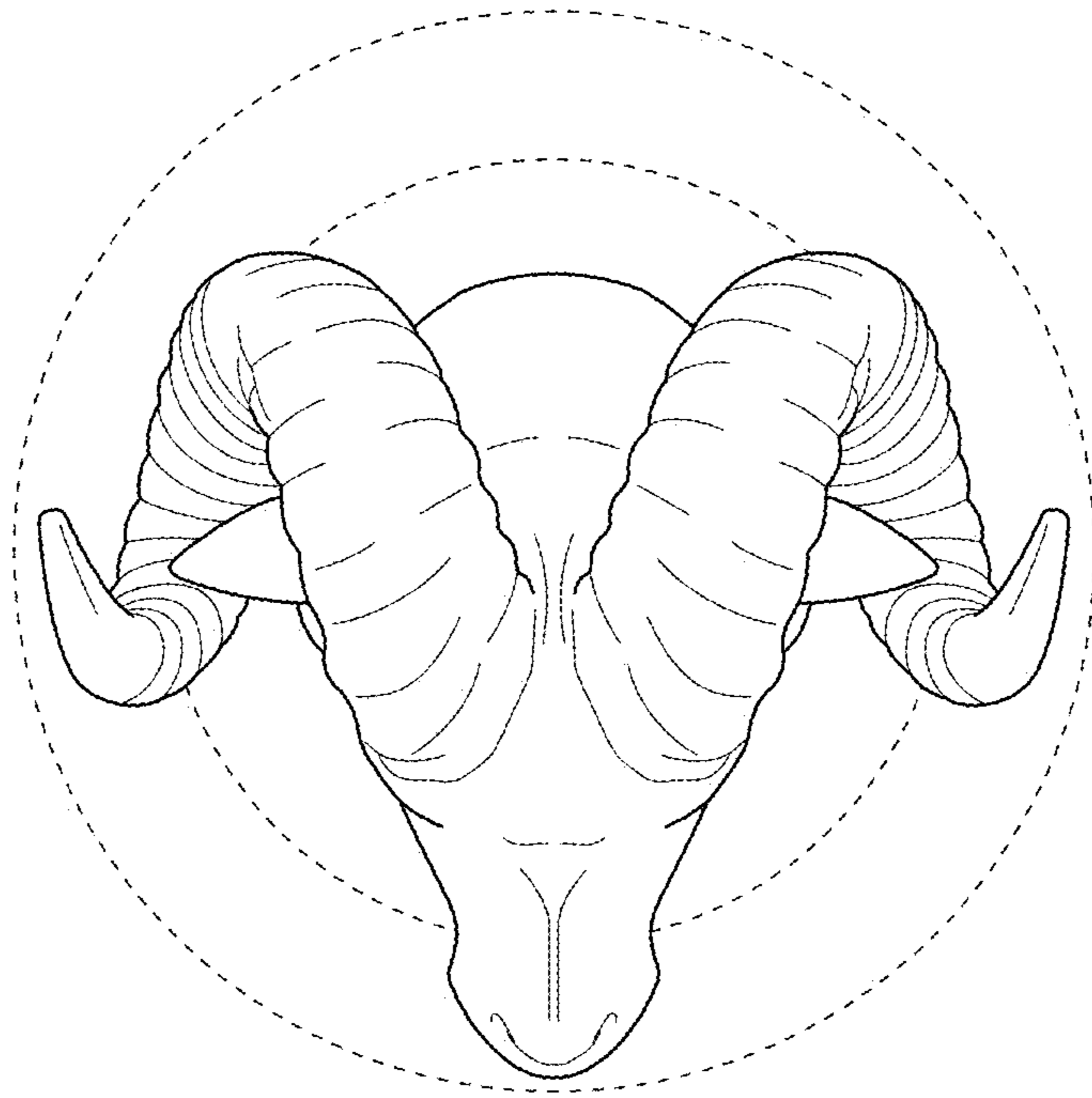


FIG. 6