



US00D974173S

(12) **United States Design Patent**
Tidwell et al.

(10) **Patent No.:** **US D974,173 S**
(45) **Date of Patent:** **** Jan. 3, 2023**

(54) **LID**
(71) Applicant: **PWS Packaging Services, Inc.**, La Jolla, CA (US)
(72) Inventors: **Justin Tidwell**, Brea, CA (US); **William Tidwell**, Brea, CA (US)
(**) Term: **15 Years**
(21) Appl. No.: **29/764,694**
(22) Filed: **Dec. 31, 2020**

D869,273 S * 12/2019 Kim D9/449
D876,232 S * 2/2020 Sibley D9/443
D877,558 S * 3/2020 Dorfmueller D7/392.1
D885,182 S * 5/2020 Van De Klippe D9/443
(Continued)

FOREIGN PATENT DOCUMENTS

CN 305623477 * 2/2020
GB 9007043112-0007 * 10/2019
IN 301375-0001 * 2/2019

OTHER PUBLICATIONS

www.cleverpack.com, Dec. 22, 2018, Child Resistant Cap CP 1.1, URL: [https://web.archive.org/web/20181222014021/http://www.cleverpack.com.br/en/p_standard_a_01.html#!prettyPhoto\[pp_gal\]/4/](https://web.archive.org/web/20181222014021/http://www.cleverpack.com.br/en/p_standard_a_01.html#!prettyPhoto[pp_gal]/4/), (Year: 2018).*

Primary Examiner — Brett Miller
Assistant Examiner — Rani J Abdallah
(74) *Attorney, Agent, or Firm* — Buche & Associates, P.C.; John K. Buche; Bryce A. Johnson

Related U.S. Application Data

(63) Continuation of application No. 17/070,669, filed on Oct. 14, 2020, now abandoned.
(51) **LOC (14) Cl.** **09-07**
(52) **U.S. Cl.**
USPC **D9/449**; D9/454
(58) **Field of Classification Search**
USPC D9/435, 439, 440, 442-449, 450, 454, D9/531, 682-694, 723, 575; D7/321, D7/391, 392, 392.1, 396.2, 507, 509-511, D7/523, 608, 900; D6/515
CPC B65D 83/205; B65D 83/206; B65D 83/40; B65D 2543/00046; A47G 19/2272
See application file for complete search history.

(57) **CLAIM**

We claim the ornamental design for a “lid,” as shown and described.

DESCRIPTION

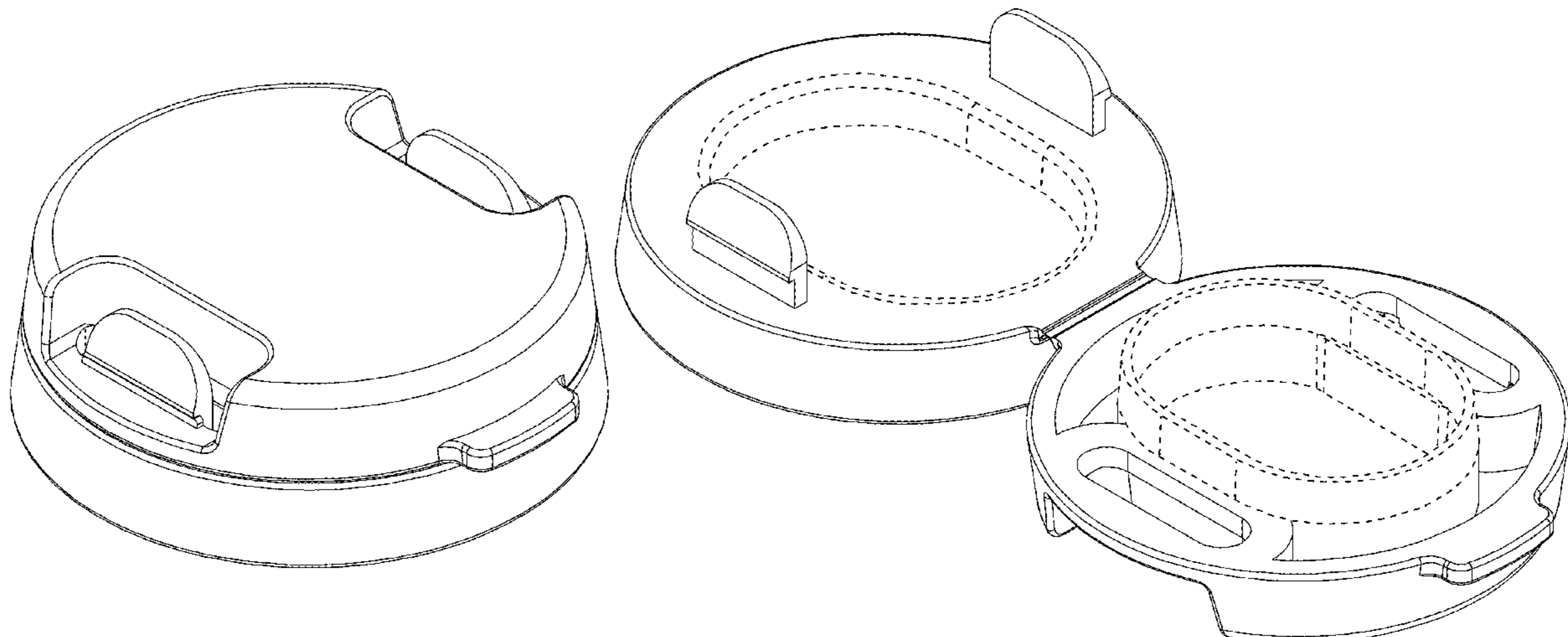
FIG. 1 is a perspective view of a lid;
FIG. 2 is a front view of the lid of FIG. 1;
FIG. 3 is a back view of the lid of FIG. 1;
FIG. 4 is a right side view of the lid of FIG. 1;
FIG. 5 is a left side view of the lid of FIG. 1;
FIG. 6 is a top view of the lid of FIG. 1;
FIG. 7 is a top perspective view of the lid of FIG. 1; and,
FIG. 8 is a top perspective view of the lid of FIG.1 in an open configuration.
Broken lines depict portions of the lid and form no part of the claimed design.

1 Claim, 8 Drawing Sheets

(56) **References Cited**

U.S. PATENT DOCUMENTS

5,011,032 A * 4/1991 Rollman A61J 7/04 116/321
D412,970 S * 8/1999 Whyte D23/260
D628,886 S * 12/2010 Gonzalez Sanchez D9/449
D690,200 S * 9/2013 Arand D9/449
D706,909 S * 6/2014 van de Klippe D23/269
D742,229 S * 11/2015 Wisniewski D9/449
D784,808 S * 4/2017 Berroa Garcia D9/435
D794,458 S * 8/2017 Lloyd D9/449
D835,939 S * 12/2018 Yee D7/392.1
D867,882 S * 11/2019 Arminak B65D 51/245 D9/449



(56)

References Cited

U.S. PATENT DOCUMENTS

D890,565	S *	7/2020	Doucet	D7/392.1
D891,924	S *	8/2020	Mitchell	D9/454
D892,614	S *	8/2020	Boeijen	D9/446
D898,572	S *	10/2020	Faulkner	D9/449
D900,606	S *	11/2020	Tse	D9/449
D906,808	S *	1/2021	Obara	D9/449
D908,486	S *	1/2021	Marantis	D9/439
D916,591	S *	4/2021	Horn	B65D 25/20 D9/449
D920,115	S *	5/2021	Lee	D9/454
D927,302	S *	8/2021	Defois	D9/449
D933,478	S *	10/2021	Berroa	D9/449
D933,479	S *	10/2021	Berroa	D9/449
2006/0191933	A1 *	8/2006	Hicks	B65D 47/0804 220/254.3
2009/0014457	A1 *	1/2009	Bennett	B65D 43/163 220/834
2015/0368002	A1 *	12/2015	Stevens	B65D 43/22 220/315
2018/0319556	A1 *	11/2018	Straughan	B65D 50/061
2019/0231984	A1 *	8/2019	Mahmoodian	A61M 5/3137
2020/0031540	A1 *	1/2020	Dzurik	B65D 50/061

* cited by examiner

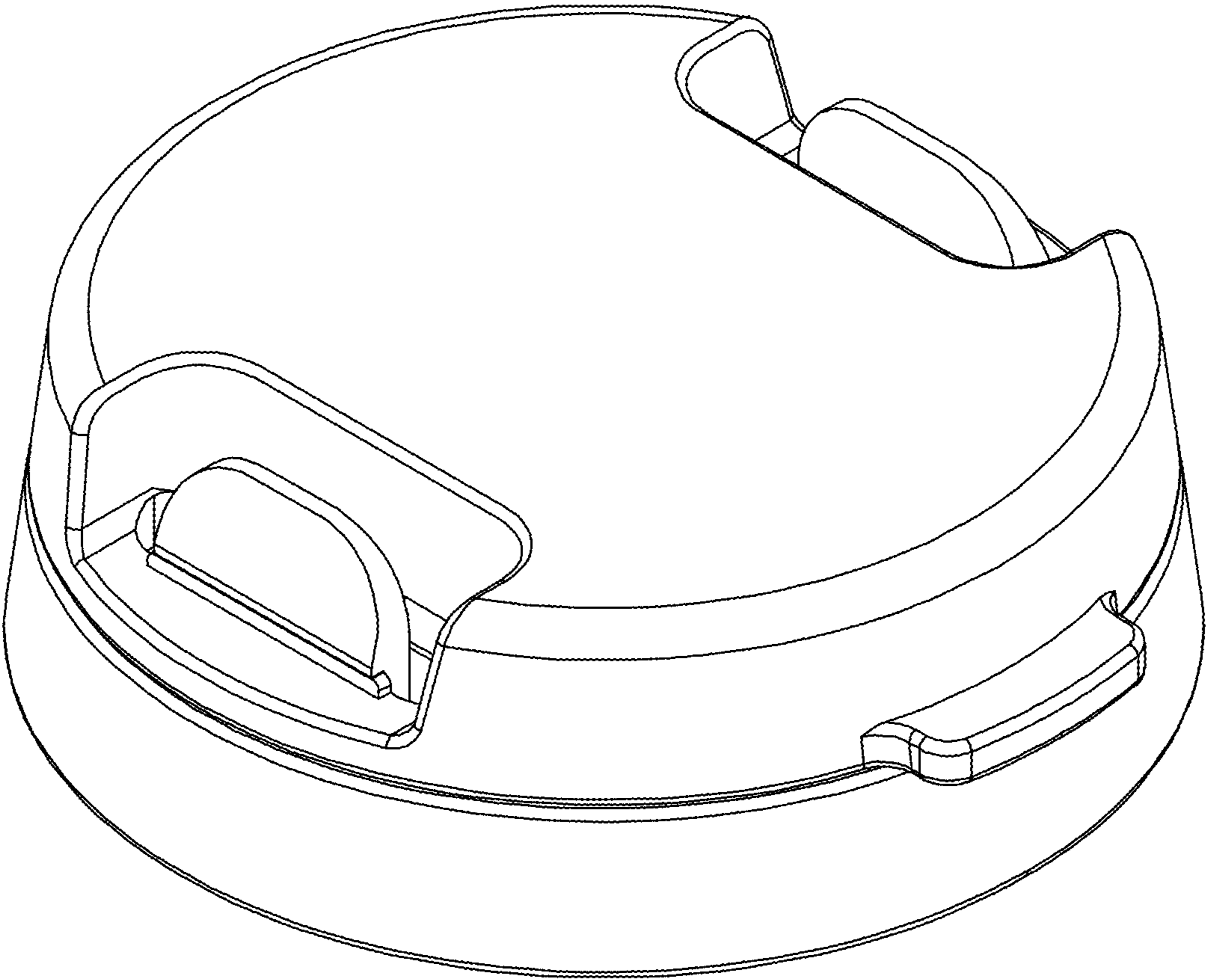


FIG. 1

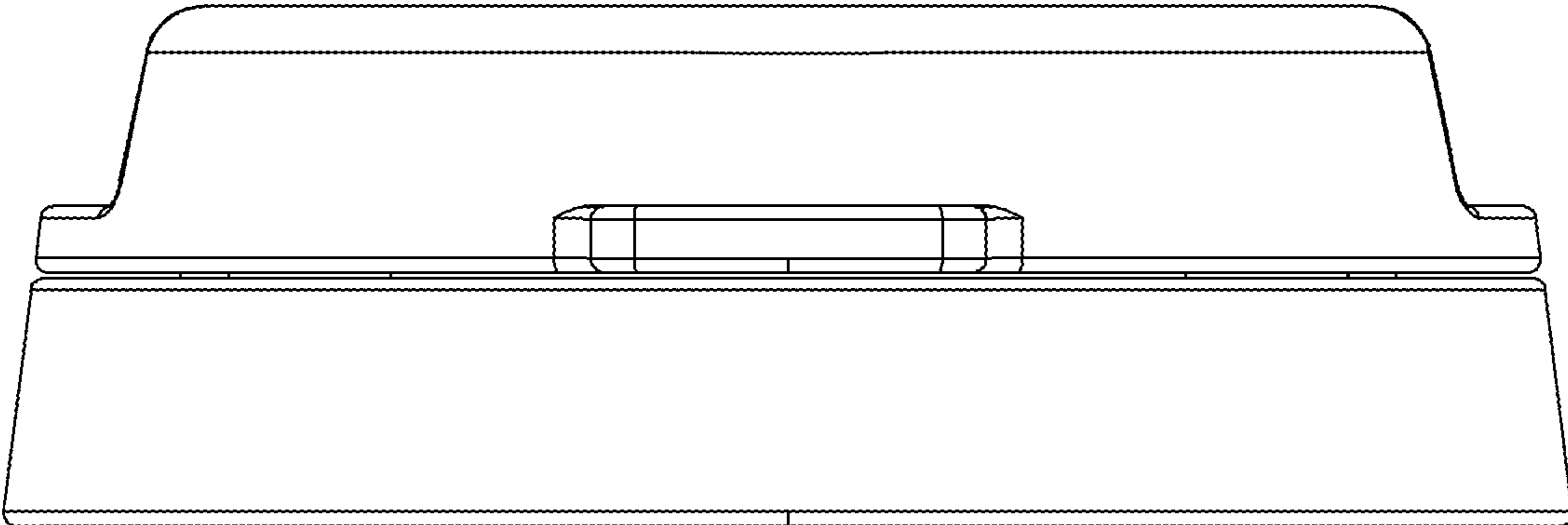


FIG. 2

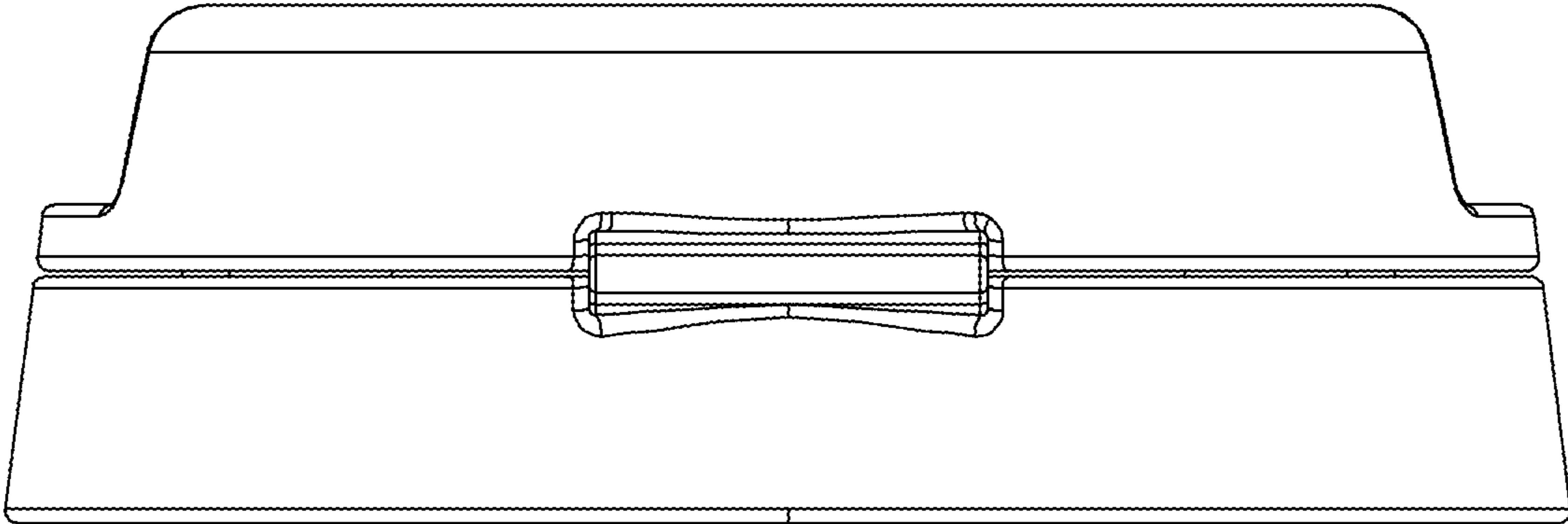


FIG. 3

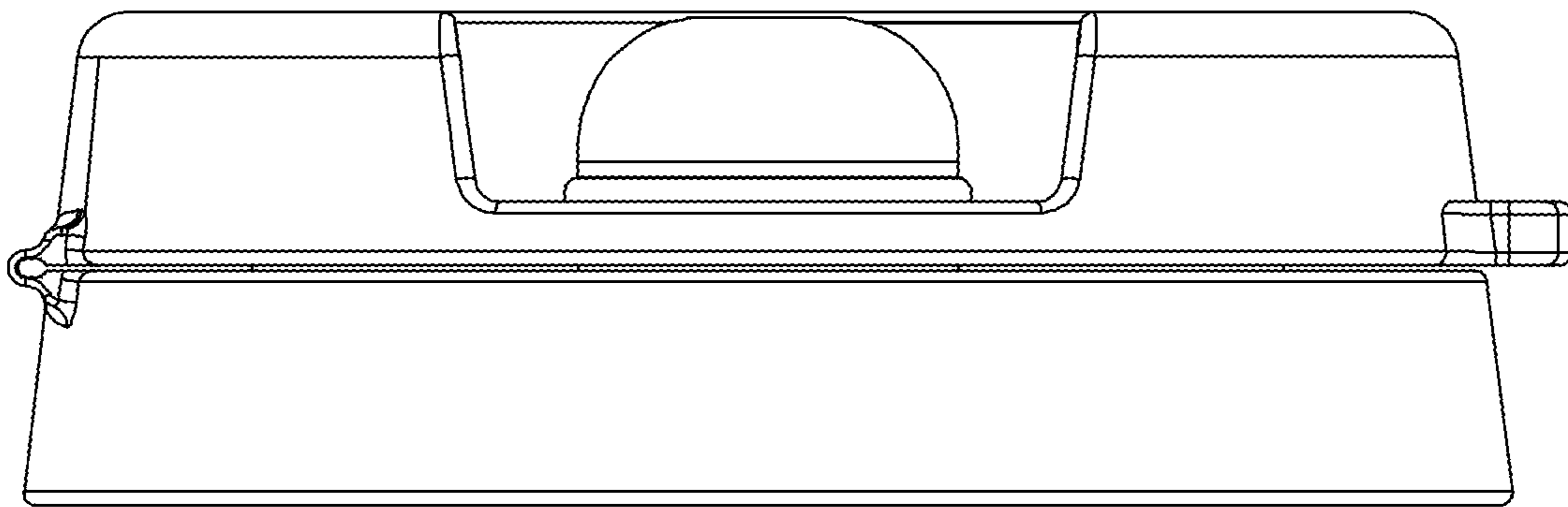


FIG. 4

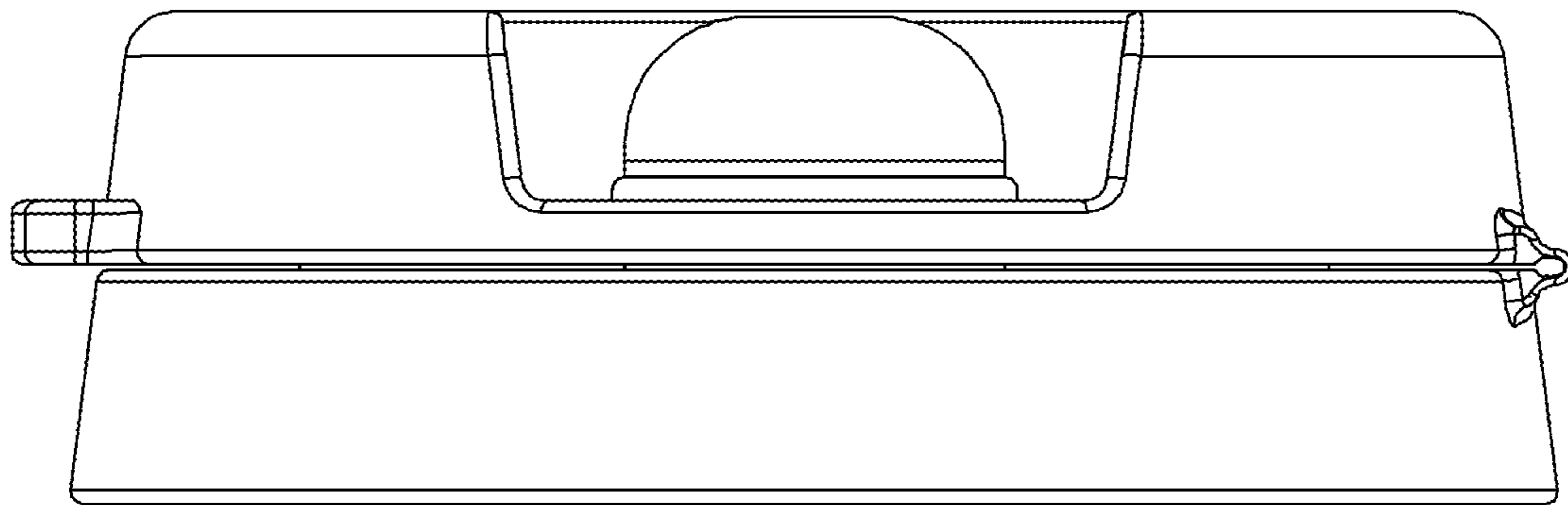


FIG. 5

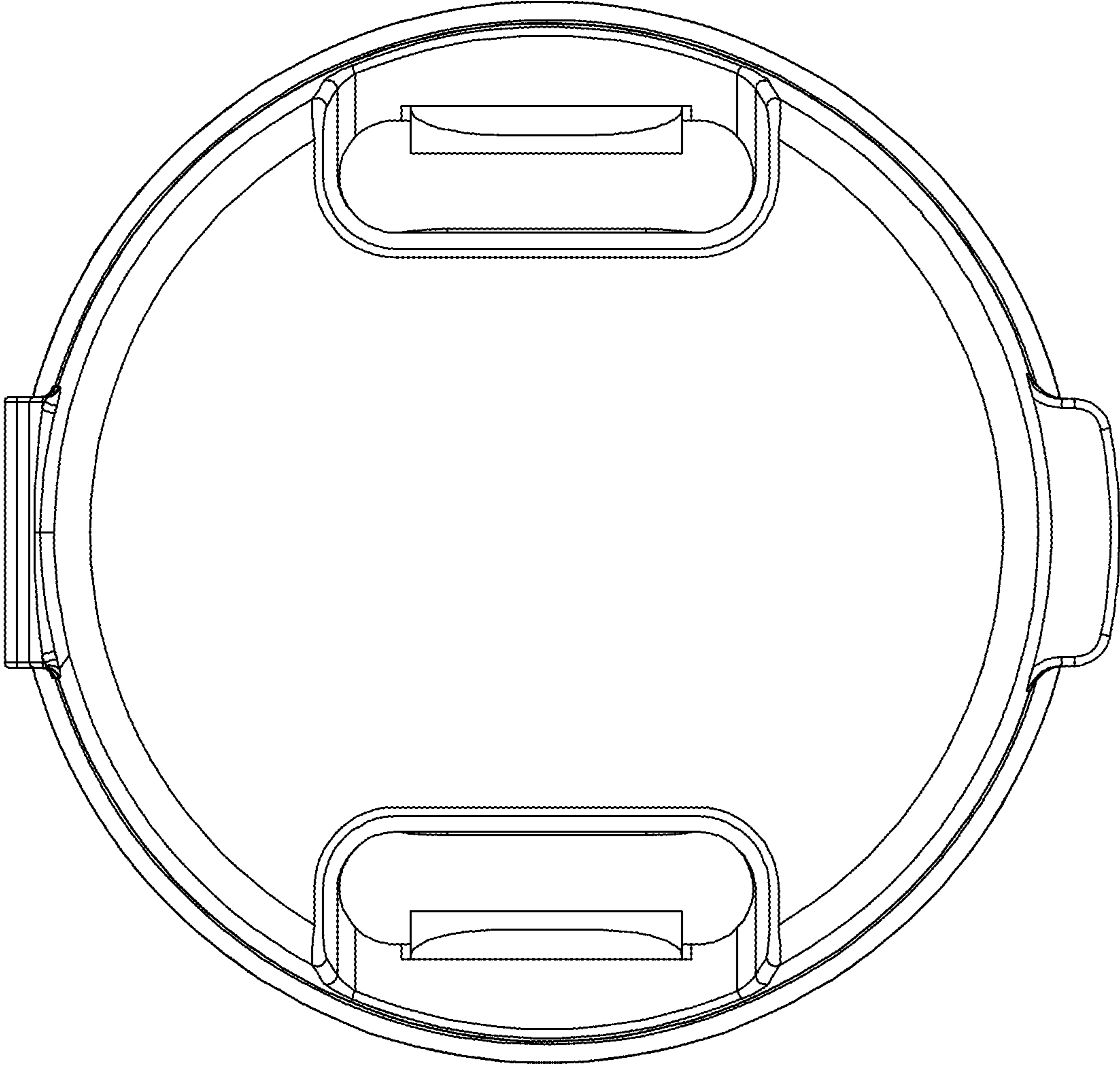


FIG. 6

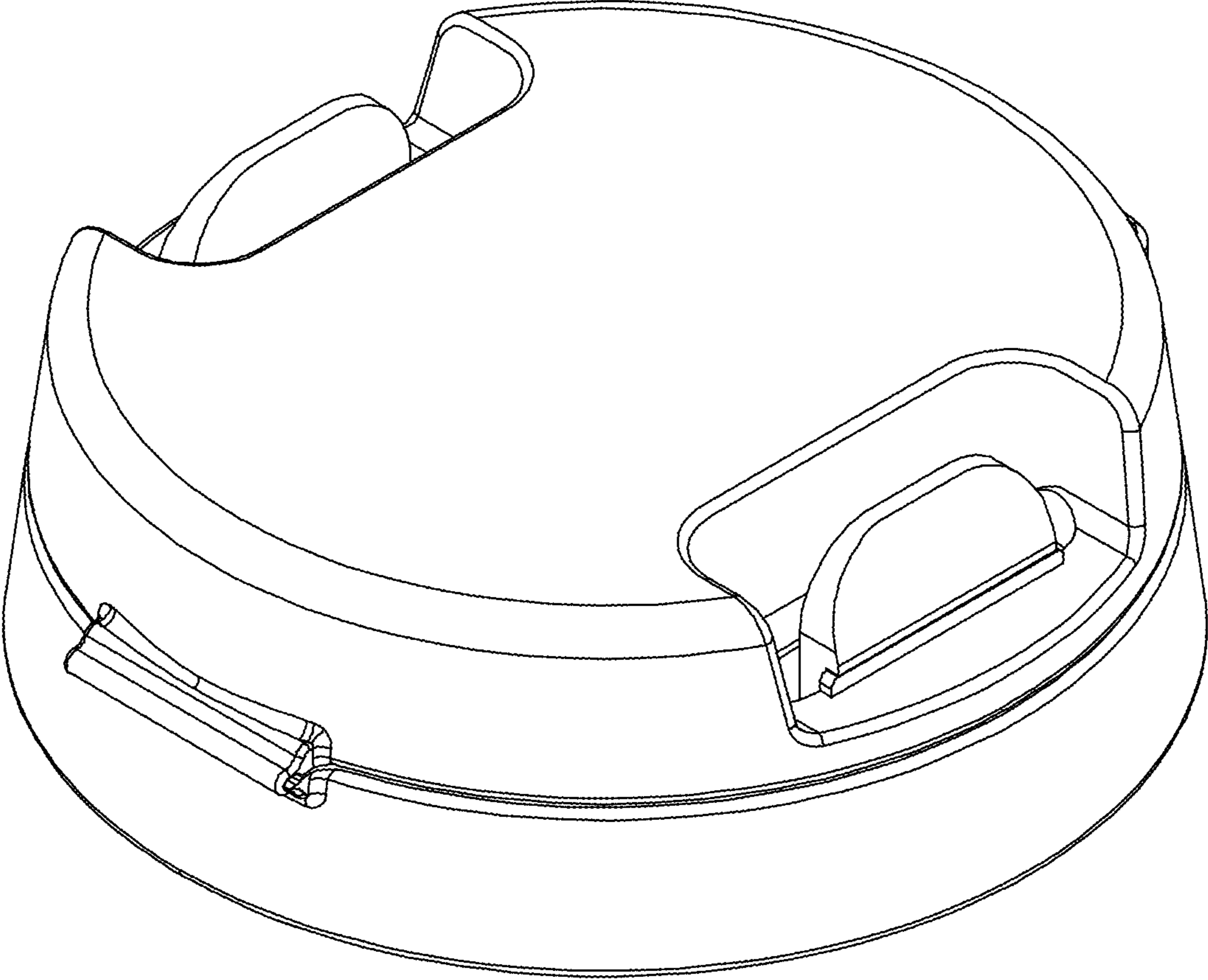


FIG. 7

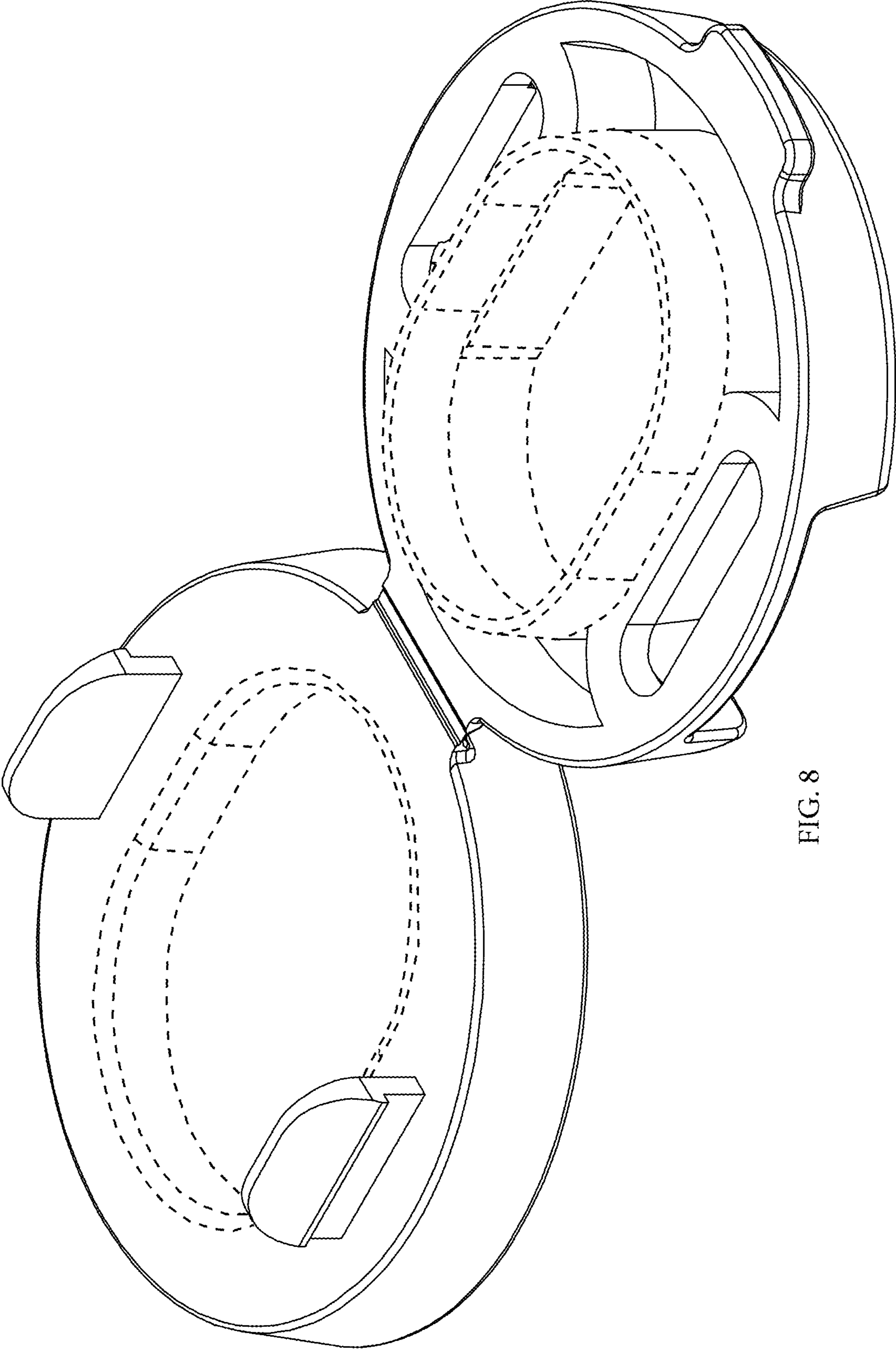


FIG. 8