



US00D974172S

(12) **United States Design Patent** (10) **Patent No.:** **US D974,172 S**
Sirdeshmukh et al. (45) **Date of Patent:** **** Jan. 3, 2023**

- (54) **CAP FOR A MEDICATION CONTAINER**
- (71) Applicant: **Sensal Health, LLC**, Chapel Hill, NC (US)
- (72) Inventors: **Deepak Sirdeshmukh**, Chapel Hill, NC (US); **Nestorius Wiegandt**, Perth (CA)
- (73) Assignee: **Sensal Health, LLC**
- (**) Term: **15 Years**
- (21) Appl. No.: **29/739,583**
- (22) Filed: **Jun. 26, 2020**

D396,007 S *	7/1998	Palestrant	D9/447
D399,423 S *	10/1998	Palestrant	D9/447
D447,410 S *	9/2001	Malmborg	D9/434
D476,890 S *	7/2003	Hirose	D24/229
D542,134 S *	5/2007	Chadfield	D9/445
D567,021 S *	4/2008	Bach	D7/387
D604,612 S *	11/2009	Germann	D9/447
D627,595 S *	11/2010	Jennings	D7/392.1
D642,468 S *	8/2011	Maxwell	D9/500
D643,288 S *	8/2011	Taylor	D9/453
D673,046 S *	12/2012	Clark	D9/452
D676,552 S *	2/2013	McLoughlin	D24/130
D681,462 S *	5/2013	Taylor	D9/453
D688,554 S *	8/2013	Fracasso	D9/449

(Continued)

Related U.S. Application Data

- (63) Continuation of application No. 16/796,015, filed on Feb. 20, 2020, now Pat. No. 10,888,502.
- (51) **LOC (14) Cl.** **09-07**
- (52) **U.S. Cl.**
USPC **D9/443; D9/452**
- (58) **Field of Classification Search**
USPC D9/414–426, 428–435, 500, 503, 504, D9/439, 442, 452, 502, 695, 696, 723, D9/724, 737, 739, 741, 742, 747, 755, D9/756, 746, 436, 437, 440, 443, 447, D9/453, 454, 499, 434; D8/374; D3/203.1–203.8
CPC A61J 7/0481; A61J 1/03; A61J 1/1412; A61J 1/1418
See application file for complete search history.

References Cited

U.S. PATENT DOCUMENTS

D19,835 S *	5/1890	Hahn	D9/454
D143,289 S *	12/1945	Eslas	D9/447
D270,043 S *	8/1983	Horsley	D9/436
D291,868 S *	9/1987	Hindle	D9/453
D295,024 S *	4/1988	Trick	D9/436

OTHER PUBLICATIONS

Sensal Health. Our Solutions. Publication date unavailable. Visited Dec. 20, 2021. <https://www.sensalhealth.com/solutions> (Year: 0).*

(Continued)

Primary Examiner — Darcey E Gottschalk
Assistant Examiner — Vanessa M. Pursley
(74) *Attorney, Agent, or Firm* — The Belles Group, P.C.

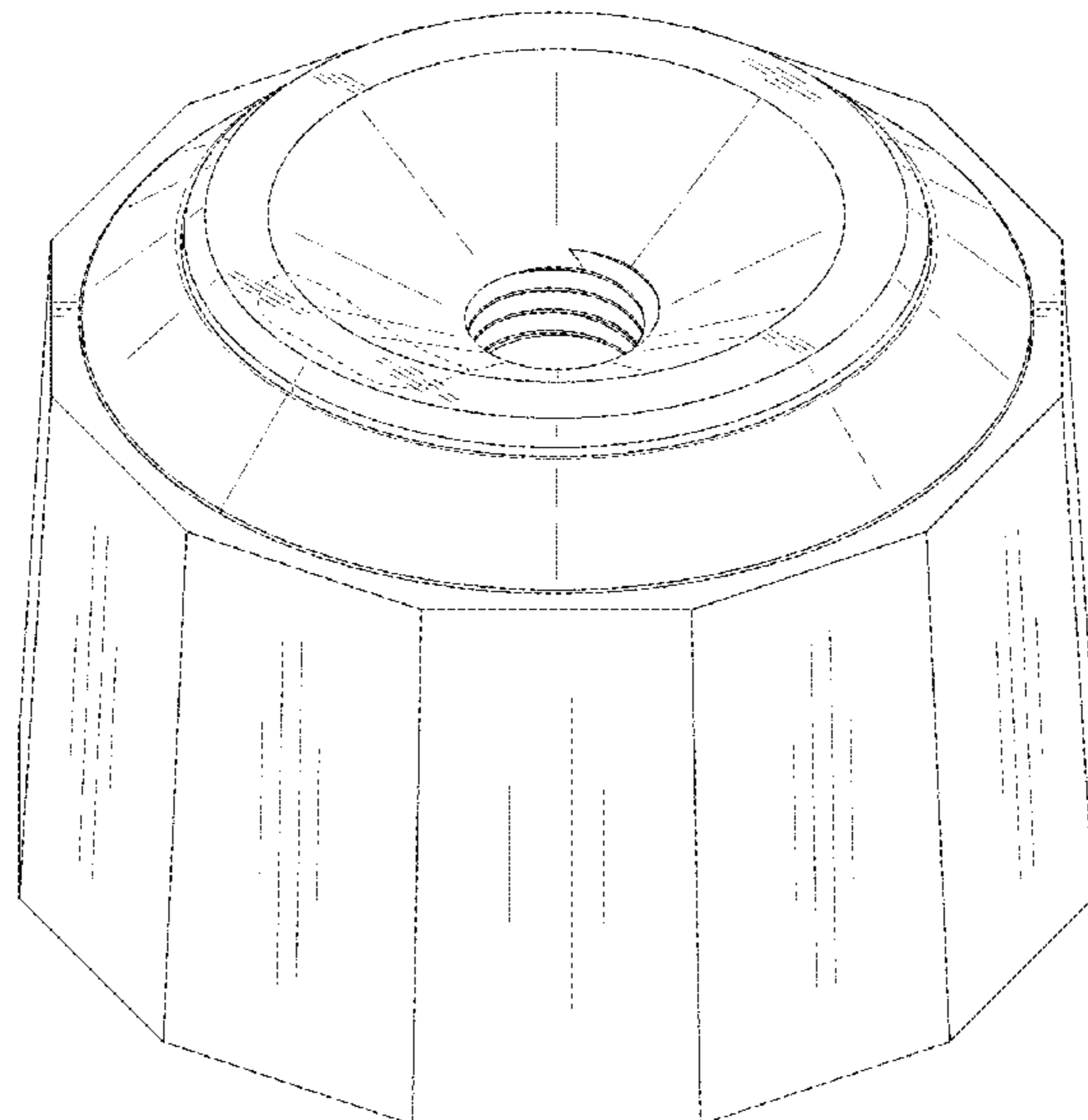
(57) **CLAIM**

The ornamental design for a cap for a medication container, as shown and described.

DESCRIPTION

FIG. 1 is a top perspective view of a cap for a medication container in accordance with our new design; FIG. 2 is a left side view thereof; FIG. 3 is a right side view thereof; FIG. 4 is a top view thereof; and, FIG. 5 is a bottom view thereof. The broken lines in the drawings illustrate portions of the cap for a medication container that form no part of the claimed design.

1 Claim, 5 Drawing Sheets



(56)

References Cited

U.S. PATENT DOCUMENTS

D697,301 S * 1/2014 Barbour, Jr. D3/203.1
 D709,368 S * 7/2014 van de Klippe D9/440
 D733,558 S * 7/2015 Wyne D9/436
 D752,976 S * 4/2016 Koffel D9/447
 D775,950 S * 1/2017 Rognard D9/449
 D778,725 S * 2/2017 Sorensen D9/447
 D790,966 S * 7/2017 Roberts D9/453
 D797,503 S * 9/2017 Robotti D7/400
 D815,925 S * 4/2018 Rapparini D9/500
 D842,105 S * 3/2019 Willemstyn D9/436
 D846,987 S * 4/2019 Neputy D9/453
 D855,393 S * 8/2019 Johnston D7/401.1
 D855,707 S * 8/2019 Ross D21/487
 D860,777 S * 9/2019 Giovanni D9/416
 D867,884 S * 11/2019 Byron D9/454
 D881,641 S * 4/2020 Baron D7/392.1
 D884,475 S * 5/2020 Rapparini D9/500
 D889,961 S * 7/2020 Swart D9/447
 D890,598 S * 7/2020 Chase D8/374
 D891,186 S * 7/2020 Ballard D7/532
 D895,737 S * 9/2020 Russell D21/573
 D903,493 S * 12/2020 Tian D9/453
 D907,998 S * 1/2021 Michel D9/436
 10,888,502 B2 * 1/2021 Sirdeshmukh G06F 21/6218
 D909,545 S * 2/2021 Westcott-Pocock D23/262
 D917,291 S * 4/2021 Lerman D9/500

D920,788 S * 6/2021 Jeans D9/447
 D925,356 S * 7/2021 Suh D9/436
 D929,231 S * 8/2021 Saltz D9/500
 D936,961 S * 11/2021 Northern D3/203.1
 D937,674 S * 12/2021 Griffin D9/434
 D946,404 S * 3/2022 Neputy D9/452
 D955,808 S * 6/2022 Campbell D7/392.1
 D957,254 S * 7/2022 Neputy D9/452
 D957,940 S * 7/2022 Borg D9/452
 2017/0100574 A1 * 4/2017 Wei A61J 1/1418
 2017/0107028 A1 * 4/2017 Frosio B65D 41/26
 2021/0206546 A1 * 7/2021 Concari B65D 51/245

OTHER PUBLICATIONS

Thomas Scientific. Omnifit® T-Series Solvent Waste Caps with Vent. Publication date unavailable. Visited Dec. 20, 2021. https://www.thomassci.com/Laboratory-Supplies/HPLC-Instrument-Parts-And-Supplies/_/Omnifit-T-Series-Solvent-Waste-Caps-with-Vent (Year: 0).*

Thomas Scientific. Search Results for Solvent Cap. Publication Date Unavailable. Visited Dec. 20, 2021. <https://www.thomassci.com/search/go?AccountWelcomeMessage=&CartItemCount=&LoggedIn=&ThomasDomain=www.thomassci.com&UVA=&w=Solvent%20Cap> (Year: 0).*

* cited by examiner

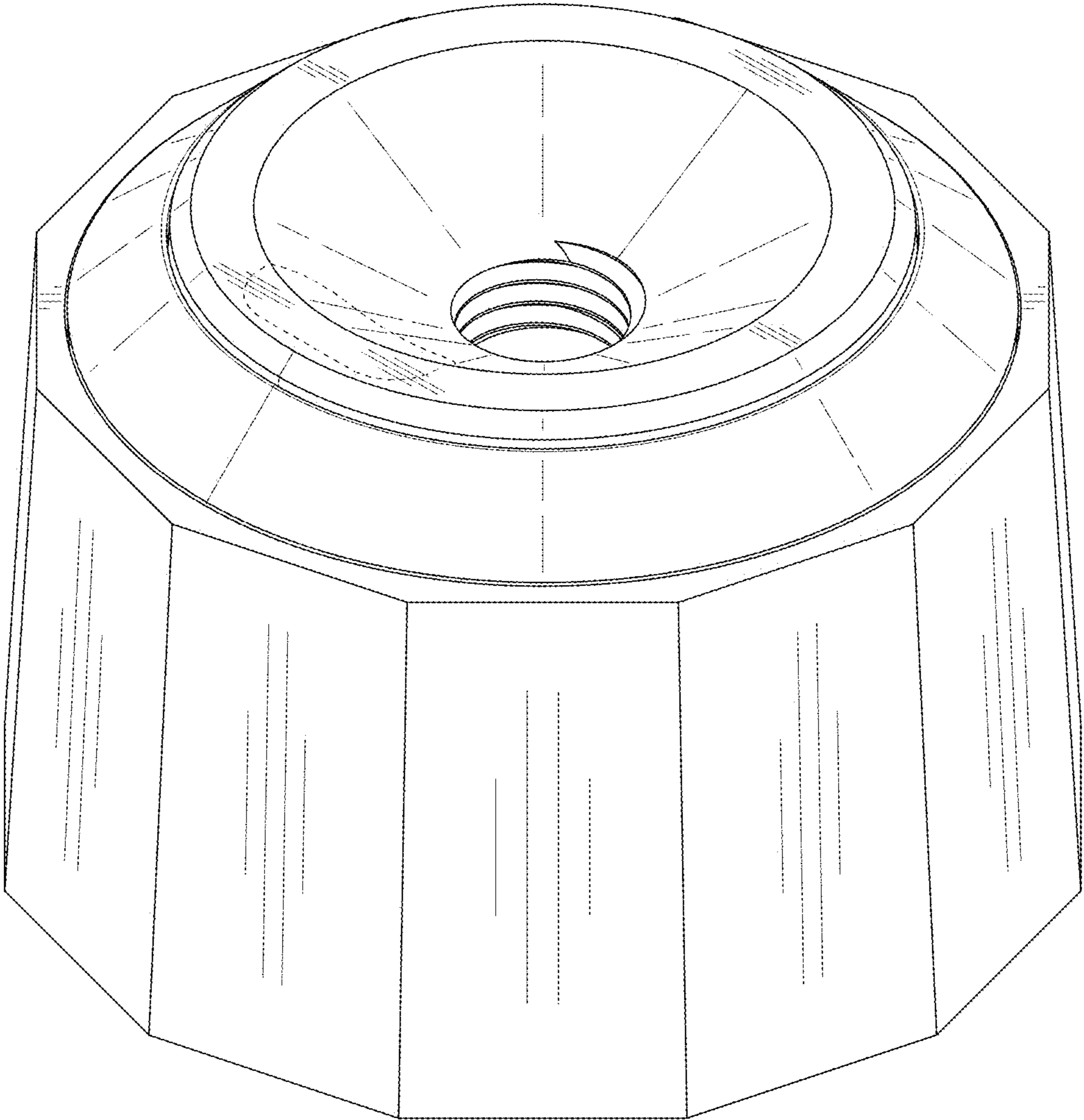


FIG. 1

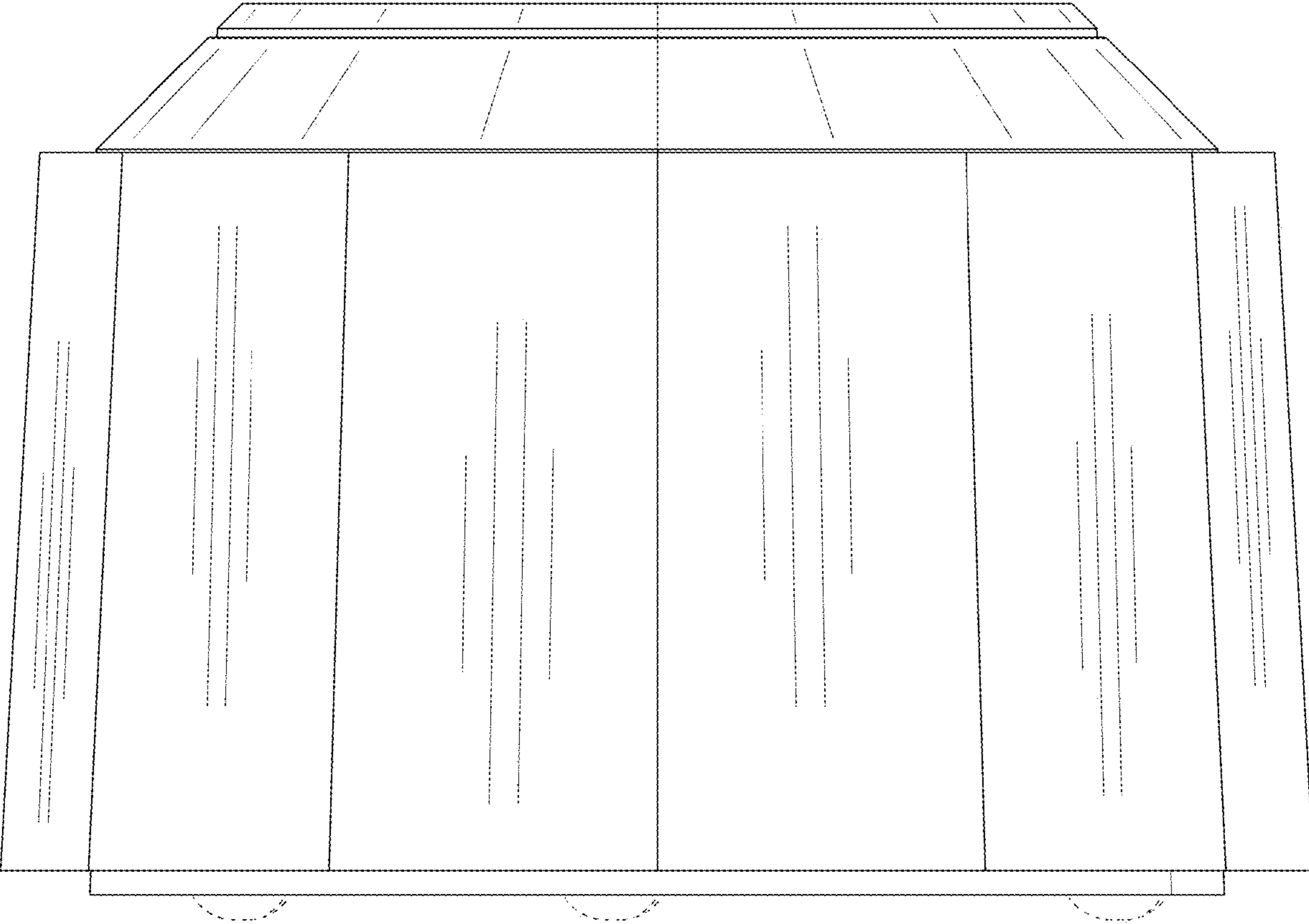


FIG. 2

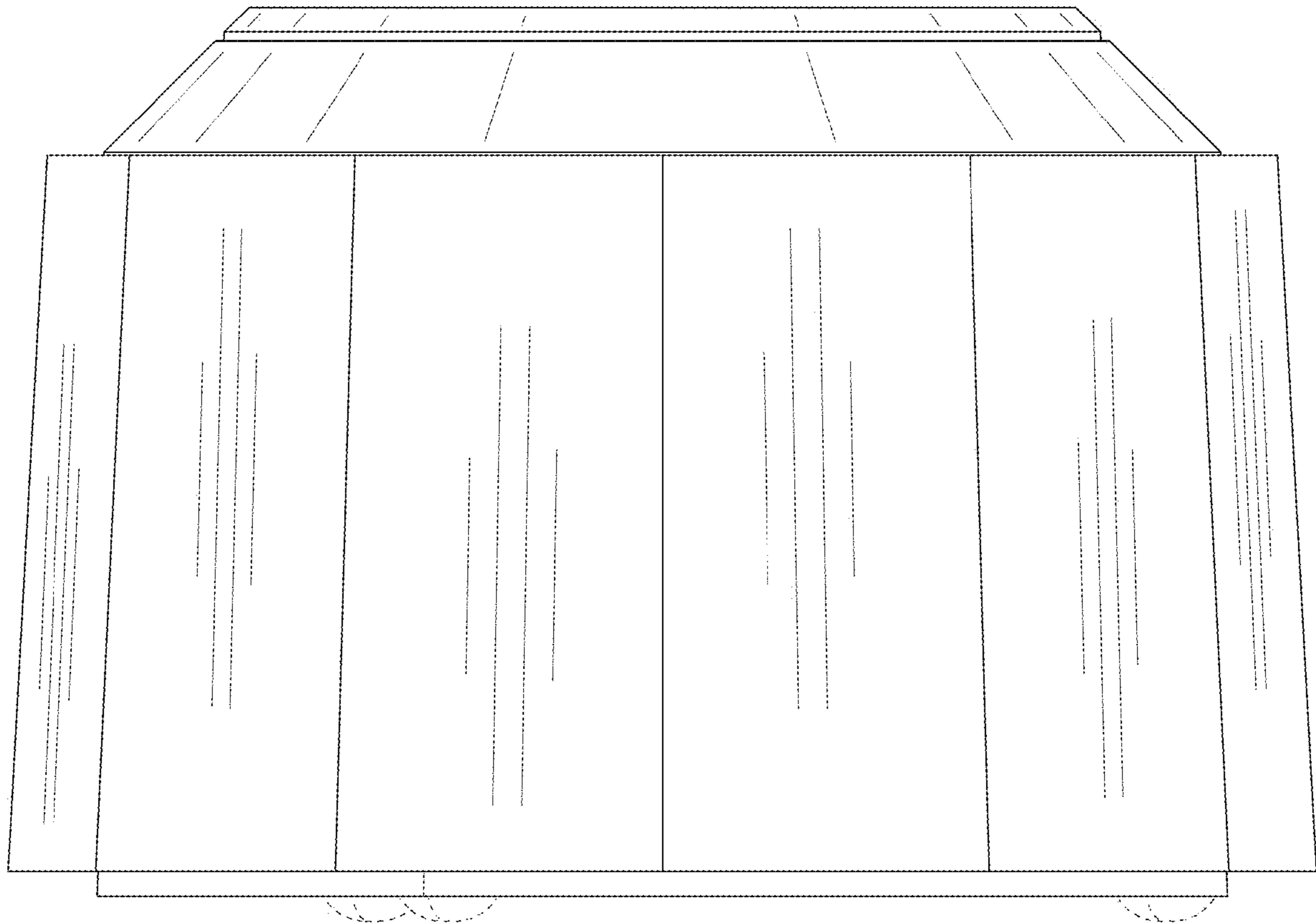


FIG. 3

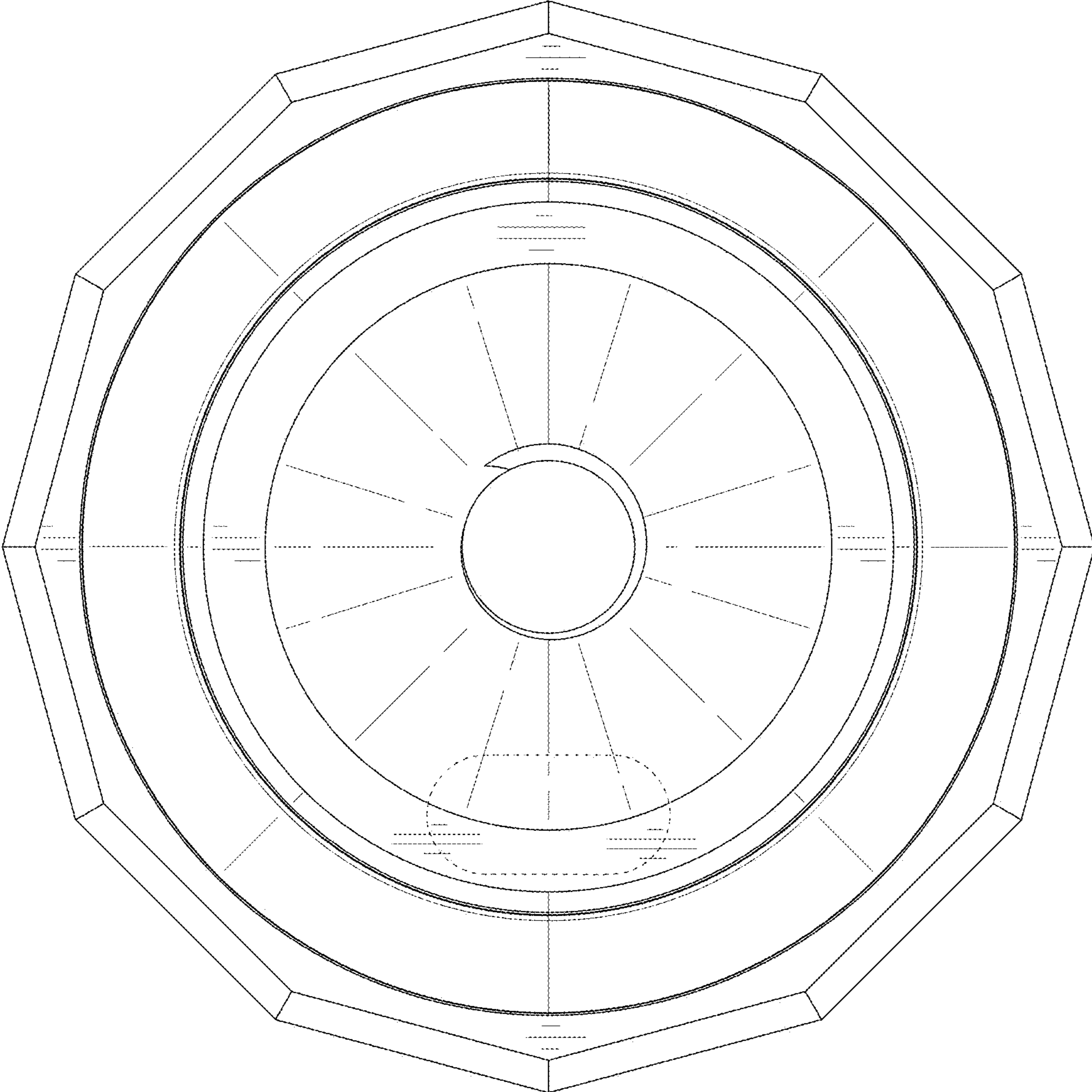


FIG. 4

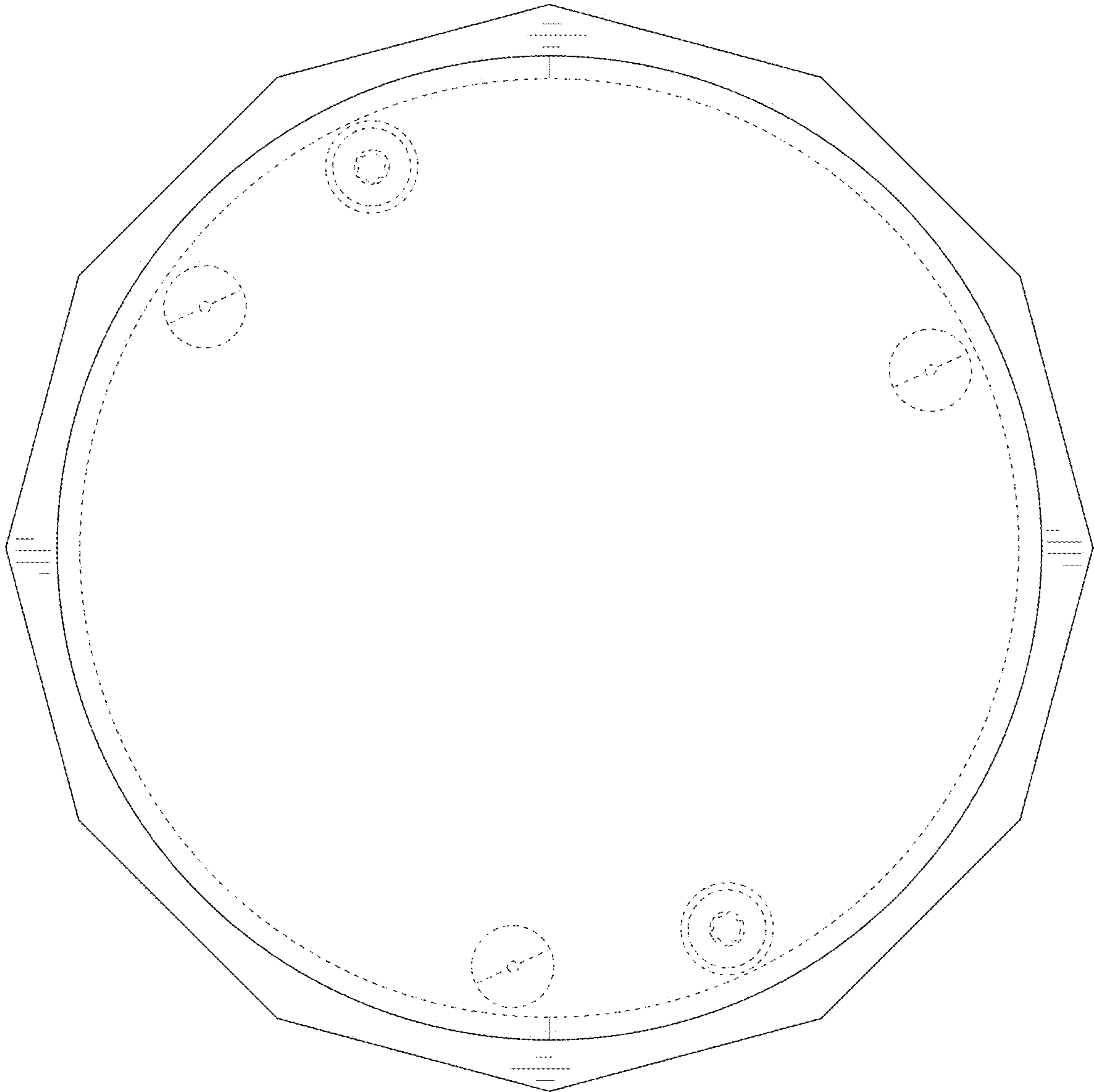


FIG. 5