



US00D974169S

(12) **United States Design Patent**
Duncan

(10) **Patent No.:** **US D974,169 S**
(45) **Date of Patent:** **** Jan. 3, 2023**

(54) **HEXAGONAL PRODUCT PACKAGING**

(71) Applicant: **CVB Inc.**, Logan, UT (US)

(72) Inventor: **Cullen Duncan**, Logan, UT (US)

(**) Term: **15 Years**

(21) Appl. No.: **29/701,342**

(22) Filed: **Aug. 10, 2019**

(51) **LOC (14) Cl.** **09-03**

(52) **U.S. Cl.**
USPC **D9/430**

(58) **Field of Classification Search**
USPC D9/414-423, 430-433, 434, 456, 457,
D9/711, 713, 721-722, 732, 737, 756,
D9/758, 759, 760
CPC ... B65D 5/00; B65D 5/02; B65D 5/18; B65D
5/20

See application file for complete search history.

(56) **References Cited**

U.S. PATENT DOCUMENTS

2,319,974	A *	5/1943	Buttery	B65D 5/2033 229/162.1
2,372,312	A *	3/1945	Buttery	B65D 5/4204 229/122
D307,417	S *	4/1990	Doyel	D13/183
D385,186	S *	10/1997	Fildan	D9/430
D429,429	S *	8/2000	Murphy	D6/678
D495,598	S *	9/2004	Smith	D9/430
D582,266	S *	12/2008	Helms, Jr.	D9/430
D672,645	S *	12/2012	Giannini	D9/430
D719,824	S *	12/2014	Wagner	D9/430
D764,278	S *	8/2016	Tulin	D9/433
D764,909	S *	8/2016	Tulin	D9/433

D772,055	S *	11/2016	O'Dowd	D9/430
D849,530	S *	5/2019	Fremgen	D9/737
2006/0261060	A1 *	11/2006	Baez	B65D 85/60 220/4.21

OTHER PUBLICATIONS

2016 New Simplicity Hexagon Box. [online] Retrieved Aug. 14, 2020 from URL: <https://gzyhpackaging.en.made-in-china.com/product/LvZxpNaKEBcz/China-2016-New-Simplicity-Hexagon-Box-Columnar-Paper-Box-Gift-Packaging-Box.html>.
Custom Hexagon Lid Off Boxes. [online] Retrieved Mar. 9, 2022 from URL: <https://clipnbox.com/product/hexagon-lid-off-boxes/>.

* cited by examiner

Primary Examiner — Vy N Koenig

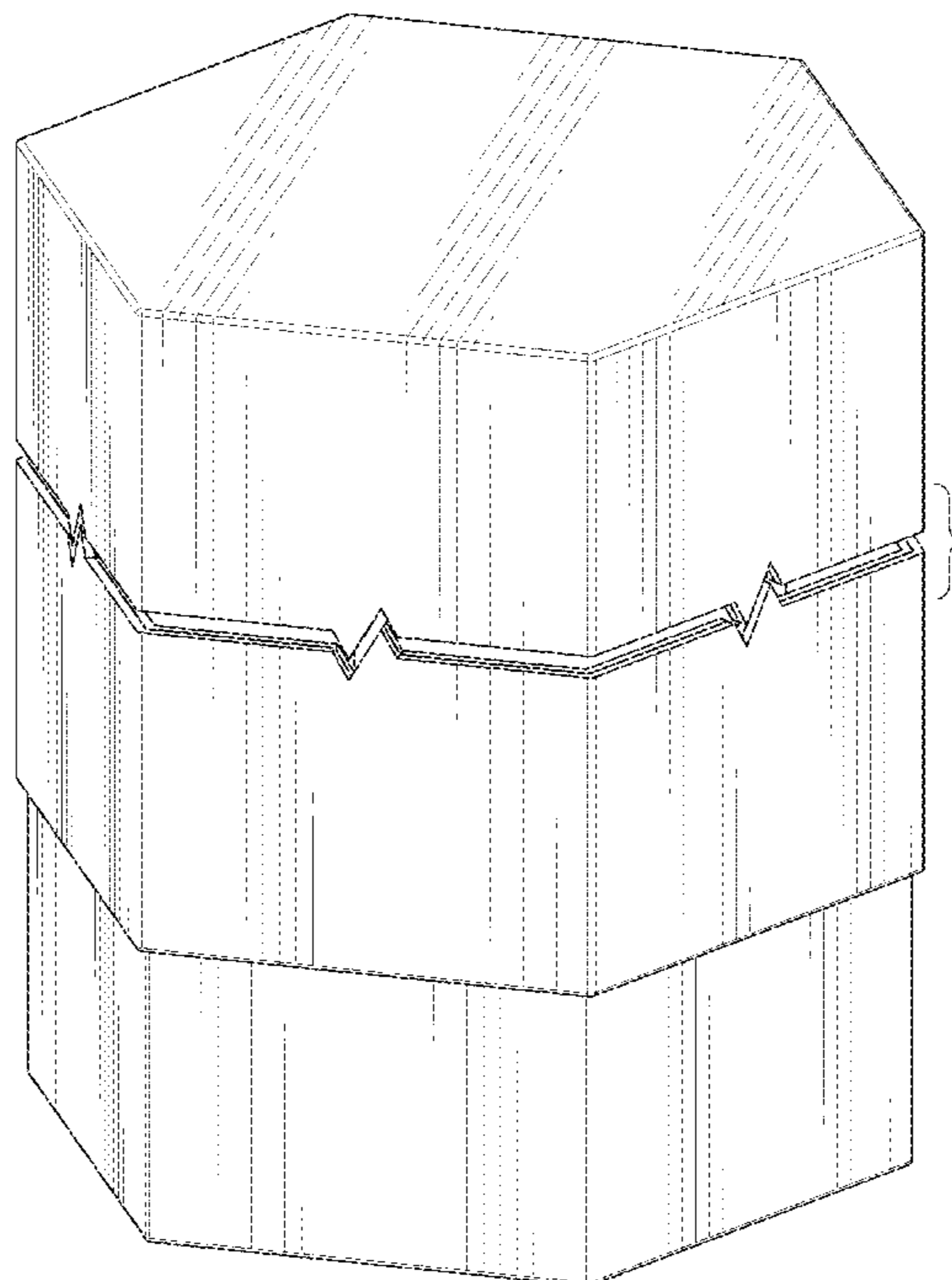
(57) **CLAIM**

The ornamental design for a hexagonal product packaging, as shown and described.

DESCRIPTION

FIG. 1 is an exploded perspective view of a hexagonal product packaging showing the new design; FIG. 2 is a perspective view of the packaging of FIG. 1 in a closed configuration; FIG. 3 is a first side view thereof, the opposite side being a mirror image thereof; FIG. 4 is a second side view thereof, the opposite side being a mirror image thereof; FIG. 5 is a top view thereof; and, FIG. 6 is a bottom view thereof. The solid jagged lines running horizontally through the lid and body of the packaging depict jagged cuts in the package that form part of the claimed design.

1 Claim, 6 Drawing Sheets



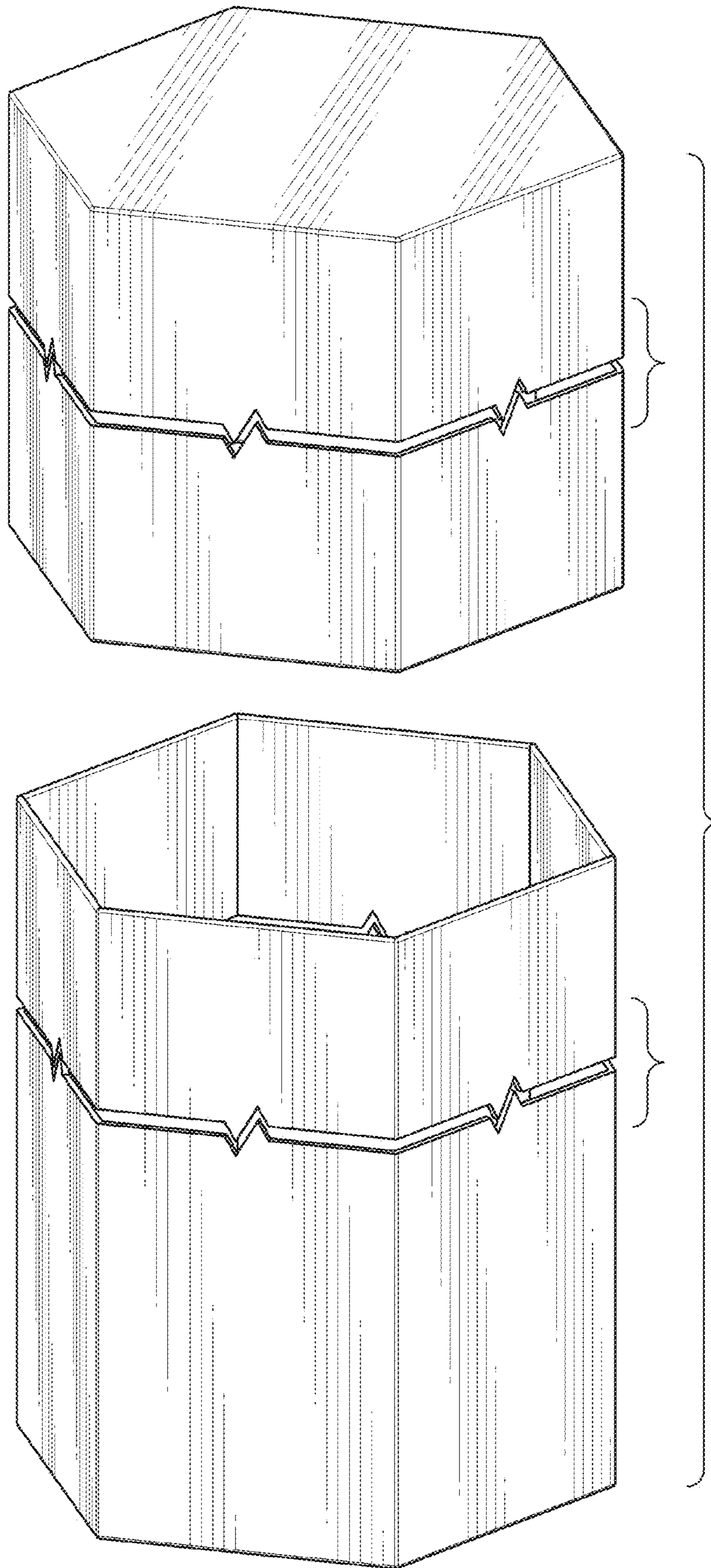


FIG. 1

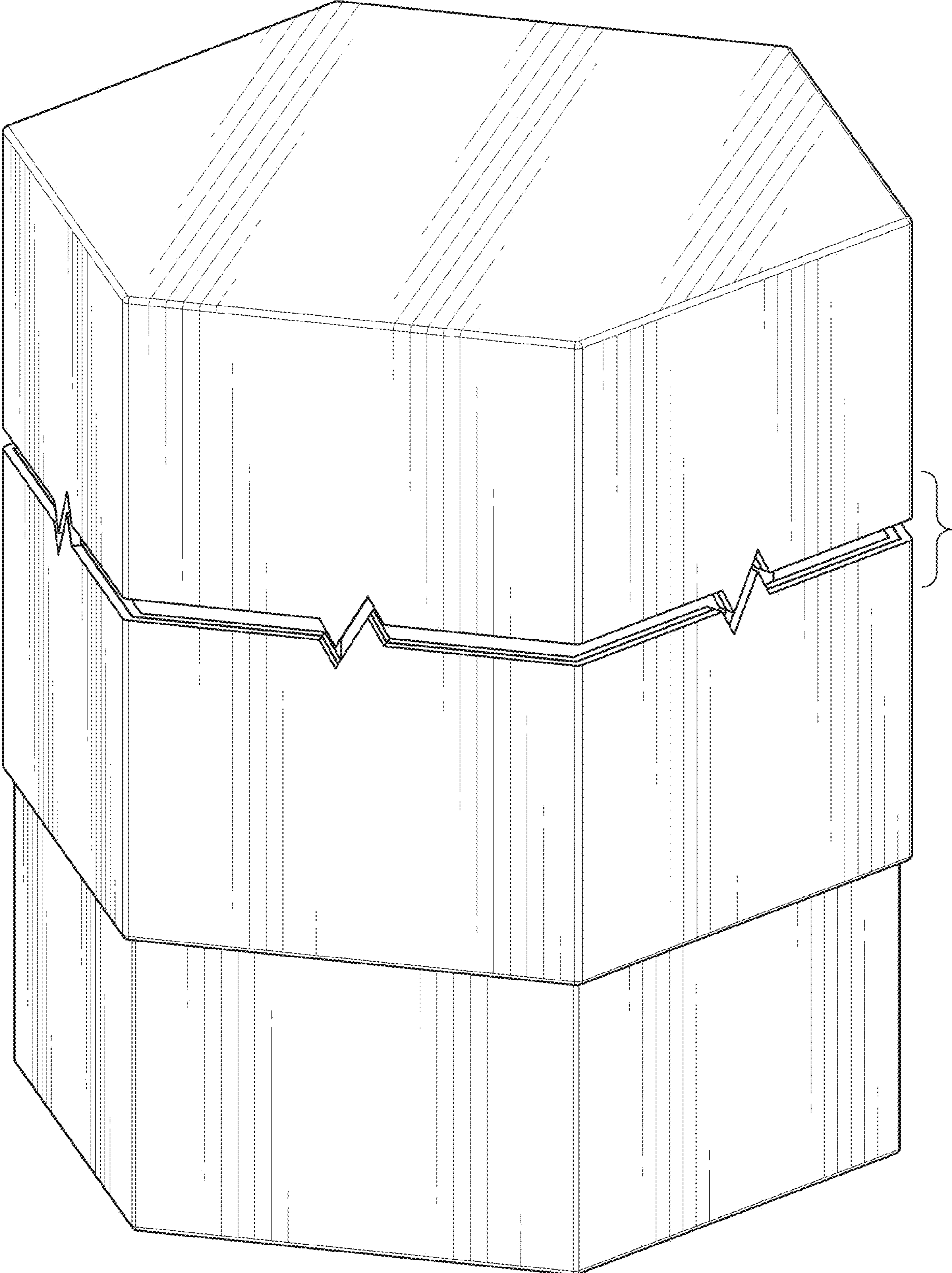


FIG. 2

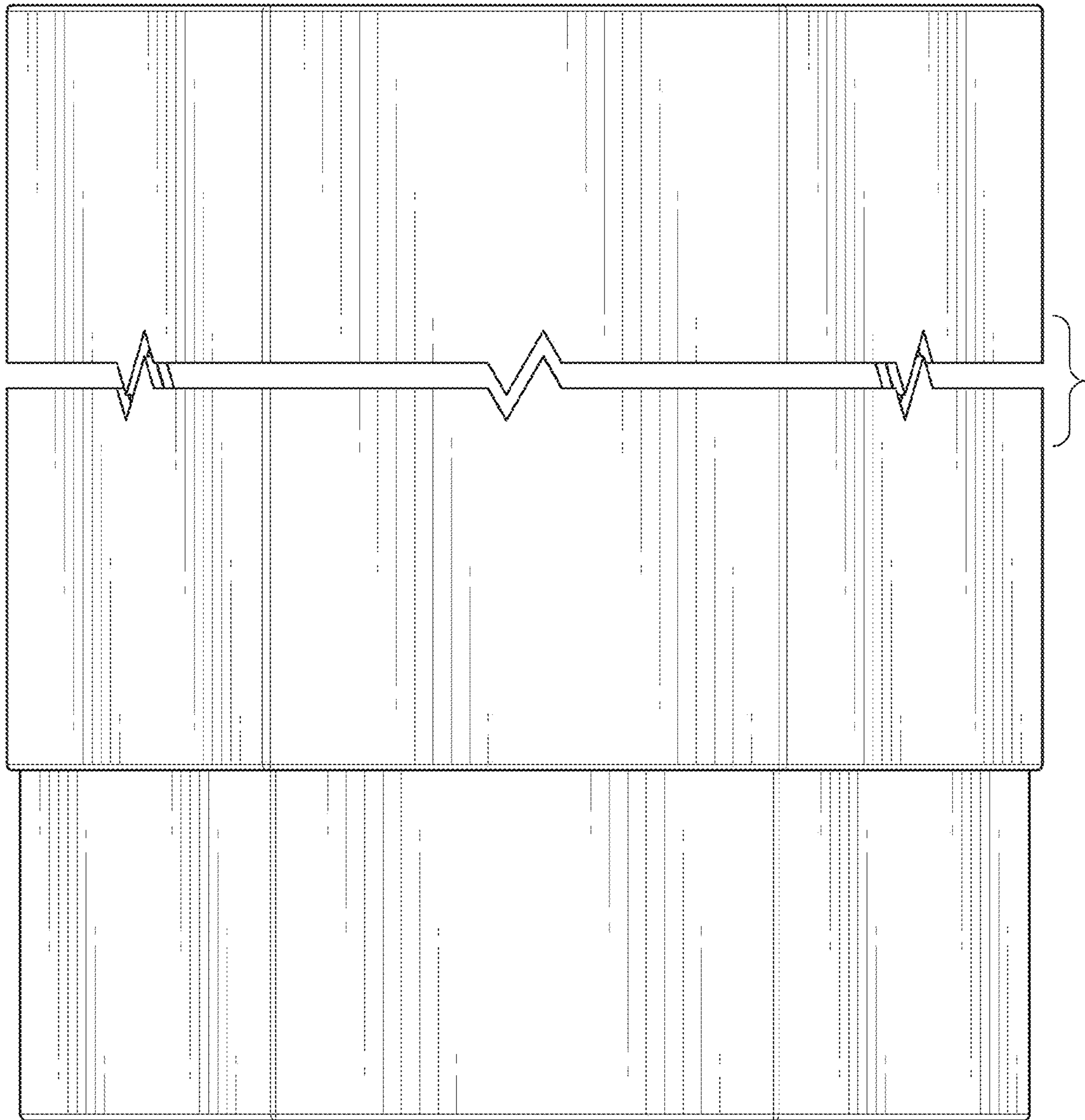


FIG. 3

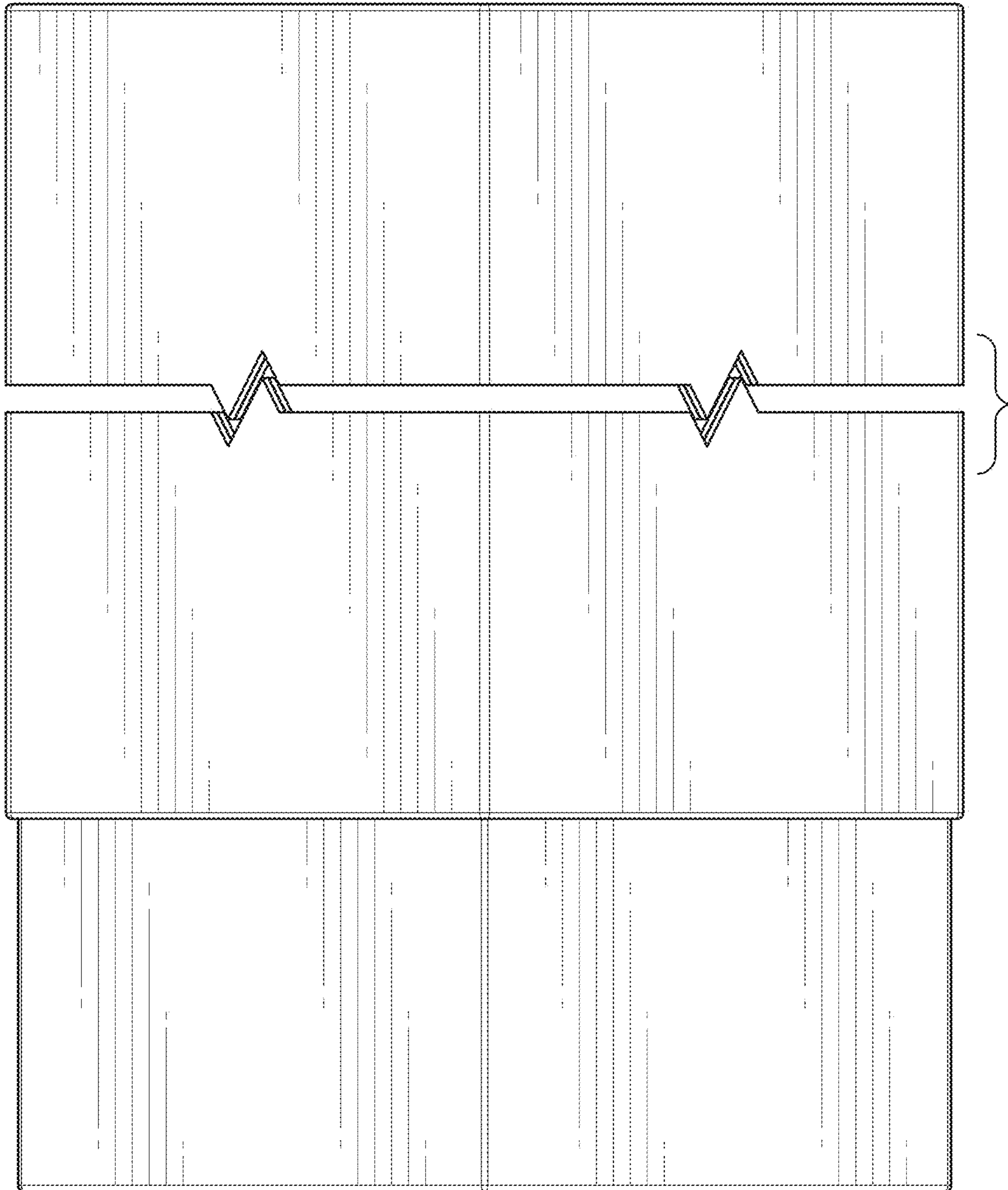


FIG. 4

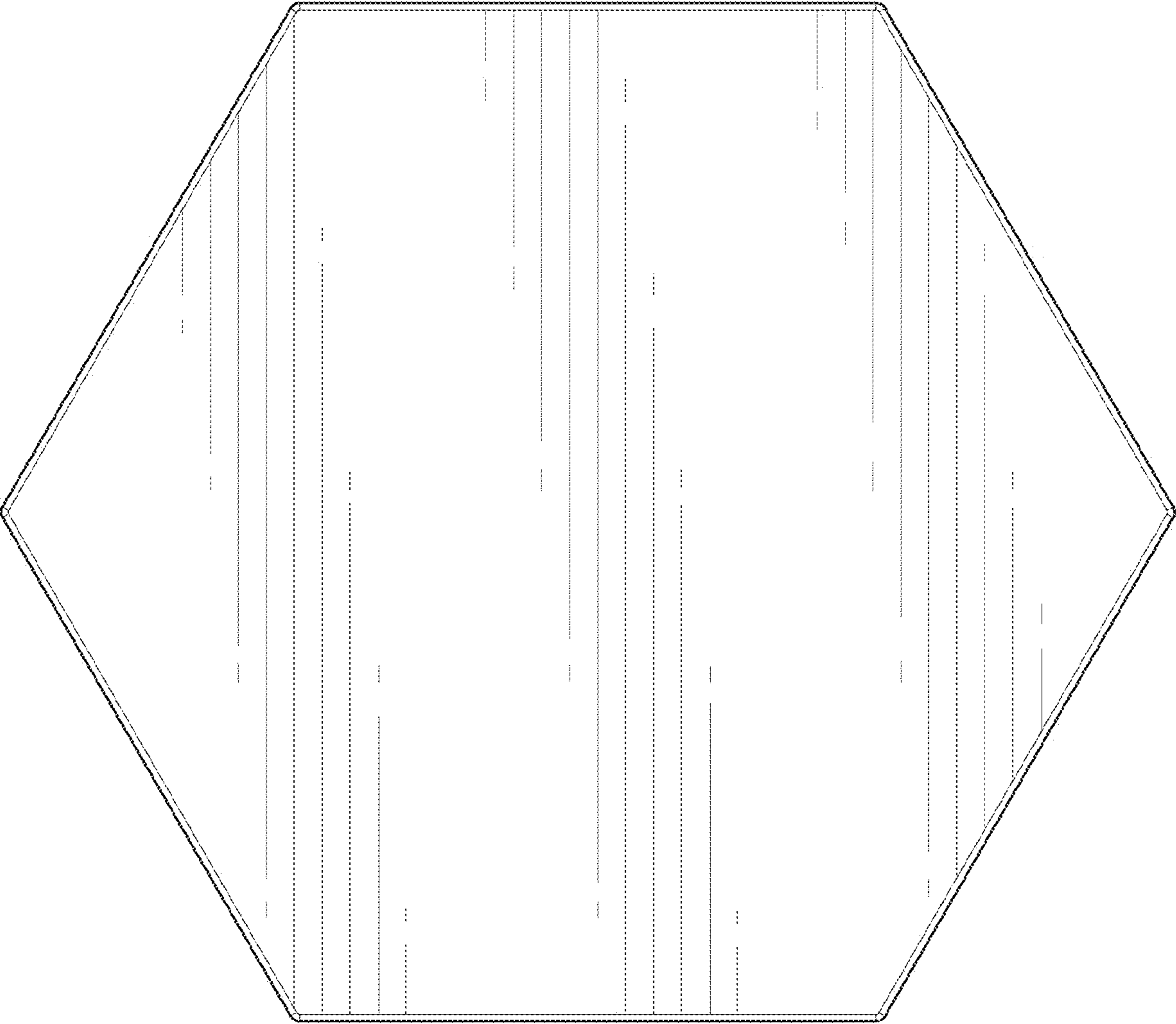


FIG. 5

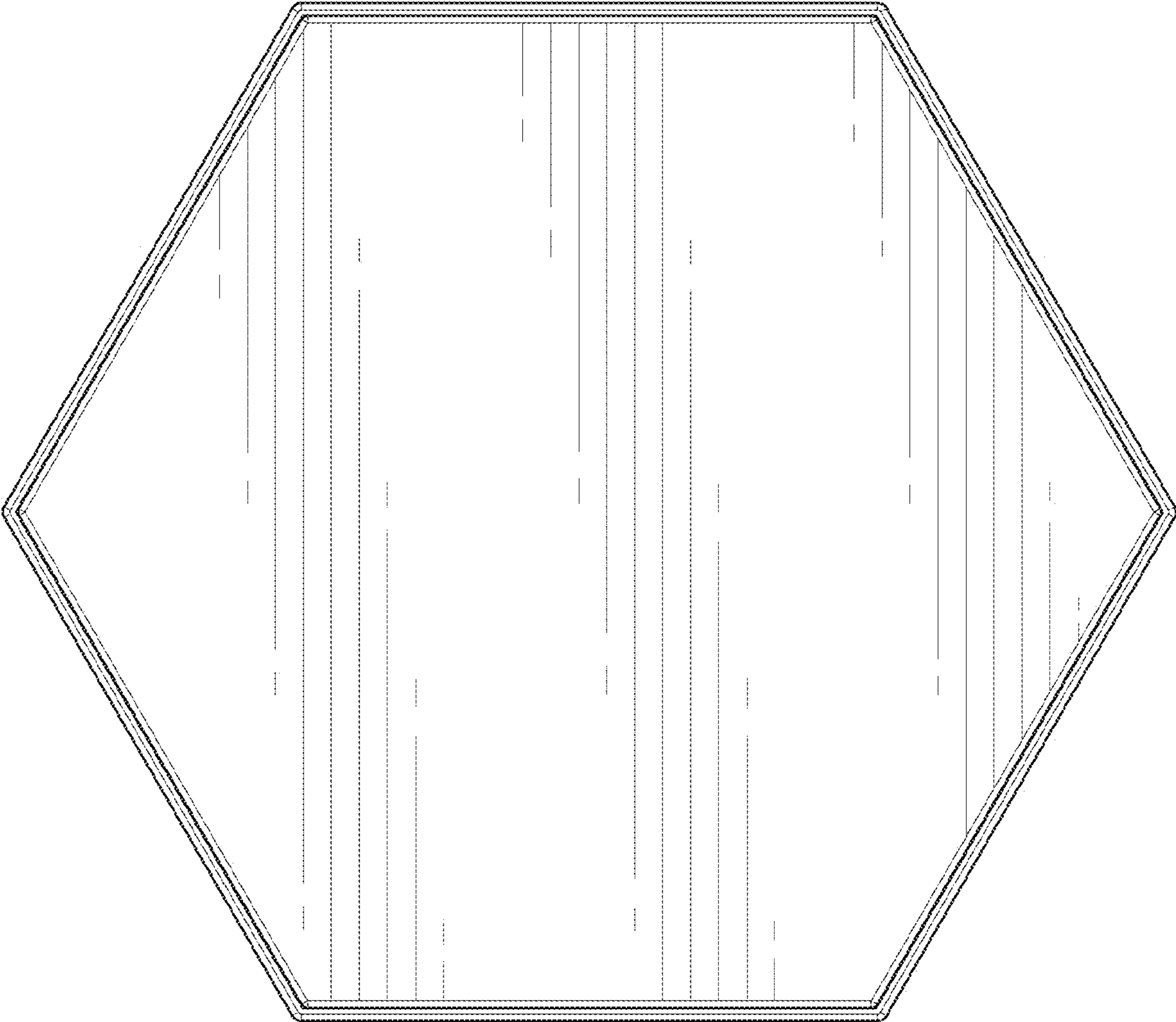


FIG. 6