



US00D974168S

(12) **United States Design Patent**
Sousa, Jr. et al.

(10) **Patent No.:** **US D974,168 S**
(45) **Date of Patent:** **** Jan. 3, 2023**

(54) **STANDING CLAMSHELL PACKAGING**

(71) Applicant: **Mariani Packing Co., Inc.**, Vacaville, CA (US)

(72) Inventors: **George Ignatius Sousa, Jr.**, El Macero, CA (US); **Stephen Sousa**, Davis, CA (US); **Christopher Allan Mariani**, Winters, CA (US); **Michael Andrew Mariani**, Winters, CA (US); **Joseph Steele Mariani**, Winters, CA (US)

(73) Assignee: **Mariani Packing Co., Inc.**, Vacaville, CA (US)

(**) Term: **15 Years**

(21) Appl. No.: **29/744,832**

(22) Filed: **Jul. 31, 2020**

(51) **LOC (14) Cl.** **09-03**

(52) **U.S. Cl.**
USPC **D9/429; D9/420**

(58) **Field of Classification Search**
USPC D9/414, 415, 420, 423, 425, 426, 430, D9/431, 434, 499, 418, 424, 429, 432,
(Continued)

(56) **References Cited**

U.S. PATENT DOCUMENTS

2,918,379 A * 12/1959 Lurie B65D 81/262
220/675
D216,251 S * 12/1969 Offray D9/415
(Continued)

OTHER PUBLICATIONS

Webstaurant Store. Plastic Clamshell Container. Publication date unavailable. Visited Aug. 18, 2022. <https://www.webstaurantstore.com/search/plastic-clamshell-container.html> (Year: 0).*

(Continued)

Primary Examiner — Darcey E Gottschalk

Assistant Examiner — Vanessa M. Pursley

(74) *Attorney, Agent, or Firm* — Heisler & Associates

(57) **CLAIM**

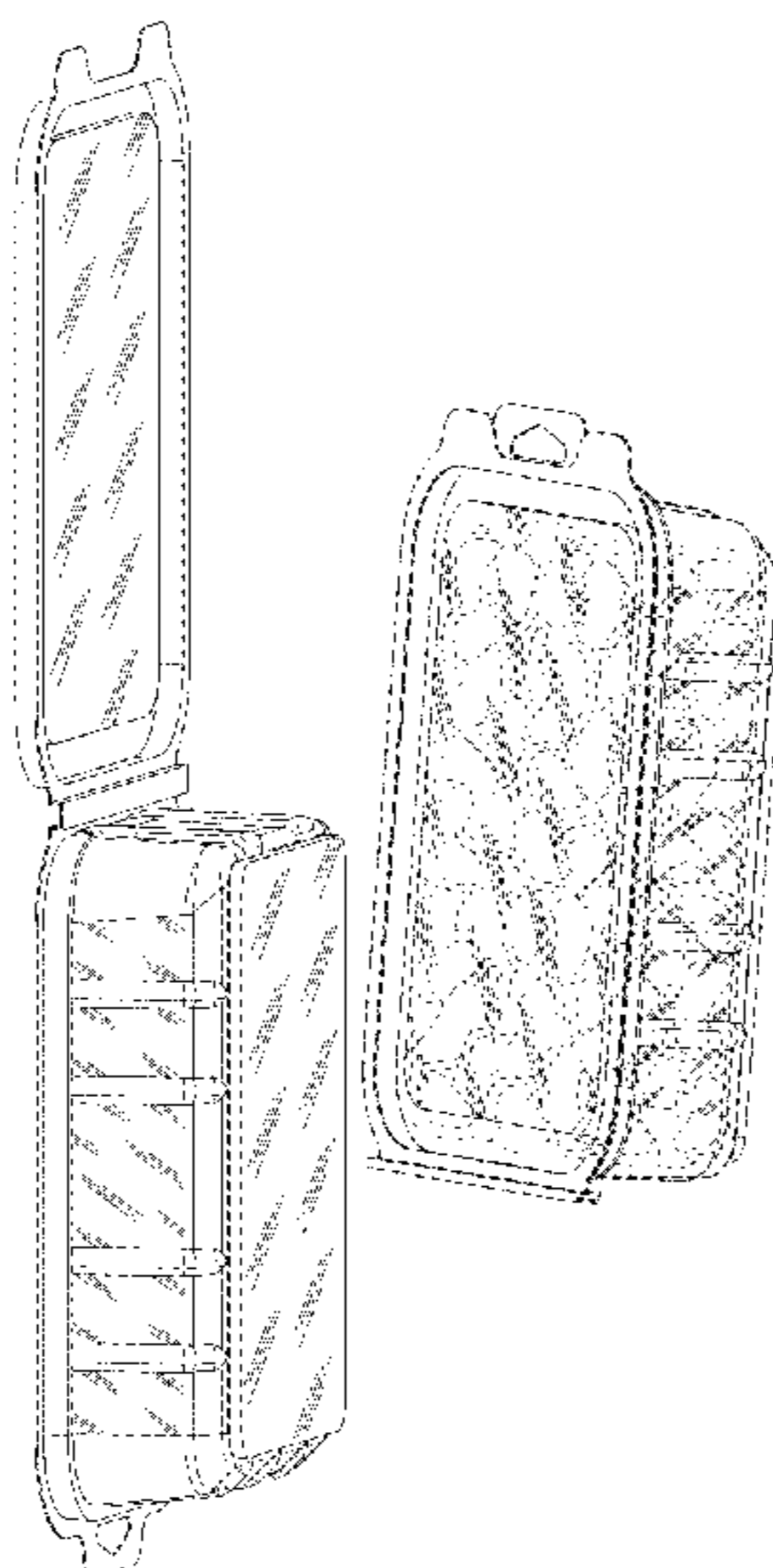
The ornamental design for a standing clamshell packaging, as shown and described.

DESCRIPTION

FIG. 1 is an isometric perspective view of the standing clamshell packaging in an open orientation; FIG. 2 is a side elevation view of the invention in an open orientation; FIG. 3 is a top plan view of the invention in an open orientation; FIG. 4 is a bottom plan view of the invention in an open orientation; FIG. 5 is a first end elevation view of the invention in an open orientation; FIG. 6 is a second end elevation view of the invention in an open orientation; FIG. 7 is a standing front isometric perspective view of the invention in a closed orientation; FIG. 8 is a standing rear isometric perspective view of the invention in a closed orientation; FIG. 9 is a standing side elevation view of the invention in a closed orientation; FIG. 10 is a bottom plan view of the invention in a closed orientation; FIG. 11 is a second end elevation view of the invention in a closed orientation; FIG. 12 is a side elevation view of the invention in a closed orientation; FIG. 13 is a first end elevation view of the invention in a closed orientation; and, FIG. 14 is a top plan view of the invention in a closed orientation.

The broken lines in the drawings represent unclaimed environmental subject matter and form no part of the claim.

1 Claim, 4 Drawing Sheets



(58) **Field of Classification Search**
USPC D9/455, 456; D3/201, 272, 294;
D7/601, 602
CPC B65D 45/16; B65D 21/02; B65D 81/26
See application file for complete search history.

(56) **References Cited**

U.S. PATENT DOCUMENTS

D249,236 S *	9/1978	Limon	D9/425
D251,153 S *	2/1979	Thompson	D3/904
D275,453 S *	9/1984	Bankier	D9/415
D330,830 S *	11/1992	Baranyai	D7/629
D331,011 S *	11/1992	Karita	D9/425
D341,057 S *	11/1993	Lundberg	D7/354
5,423,453 A *	6/1995	Fritz	B65D 81/3453 426/243
D382,795 S *	8/1997	Abayhan	D9/425
D451,382 S *	12/2001	Adkins	D9/415
D455,651 S *	4/2002	Ma	D9/418
6,619,501 B2 *	9/2003	Hayes	B65D 1/34 220/675
D522,355 S *	6/2006	Castellanos	D9/429
D569,243 S *	5/2008	Kidd	B65D 43/162 D9/425
D579,767 S *	11/2008	Wallach	D9/425
D588,450 S *	3/2009	Snedden	D9/424
D606,392 S *	12/2009	Prevost	D9/425
D628,472 S *	12/2010	Strange	D9/425
D643,713 S *	8/2011	Lawrence	D9/431
D673,847 S *	1/2013	Barbier	D9/420
D675,919 S *	2/2013	Krueger	D9/432
D677,150 S *	3/2013	Barbier	D9/424
D682,673 S *	5/2013	Miller	D9/424
D688,551 S *	8/2013	Wahl	D9/426
D693,671 S *	11/2013	Bontrager	D9/425
D701,386 S *	3/2014	Tangen	D3/273
D701,387 S *	3/2014	Tangen	D3/273
D739,231 S *	9/2015	Snedden	D9/425

D741,705 S *	10/2015	Astorga	D9/425
D742,218 S *	11/2015	Astorga	D9/425
D746,675 S *	1/2016	Astorga	D9/425
D749,412 S *	2/2016	Hu	D9/426
D762,467 S *	8/2016	Bordieri	D9/421
D837,646 S *	1/2019	Mazzuca	D9/418
D843,831 S *	3/2019	Poorman	D9/431
D907,995 S *	1/2021	Krueger	D9/425
D910,436 S *	2/2021	Krueger	D9/425
D962,051 S *	8/2022	Pessagno	D9/425
D963,474 S *	9/2022	Peterson	D9/425
D964,161 S *	9/2022	Peterson	D9/425
2005/0247709 A1 *	11/2005	Atkins	B65D 1/36 220/4.23
2009/0134179 A1 *	5/2009	Kidd	B65D 81/263 220/834
2012/0031921 A1 *	2/2012	Cadiente	B65D 43/162 220/788
2013/0068654 A1 *	3/2013	MacDonald	B65D 47/043 220/268

OTHER PUBLICATIONS

Facebook. Mariani Packing Co. Published Jun. 10, 2020. Visited Aug. 18, 2022. <https://www.facebook.com/MarianiFamily/photos/3304279499631647/> (Year: 2020).*

Facebook. Mariani Packing Co. Published Mar. 3, 2021. Visited Aug. 18, 2022. <https://www.facebook.com/MarianiFamily/photos/4073916429334613/> (Year: 2021).*

Facebook. Mariani Packing Co. Published Jun. 15, 2020. Visited Aug. 18, 2022. <https://www.facebook.com/MarianiFamily/photos/3317808504945413/> (Year: 2020).*

Plastech Group. Clamshell Packs. Publication date unavailable. Visited Aug. 18, 2022. <https://www.plastechgroup.com/clamshells/clamshell-packs> (Year: 0).*

Dreamstime. Clamshell Packaging Plastic Stock Photos. Publication date unavailable. Visited Aug. 18, 2022. <https://www.dreamstime.com/photos-images/clamshell-packaging-plastic.html> (Year: 0).*

* cited by examiner

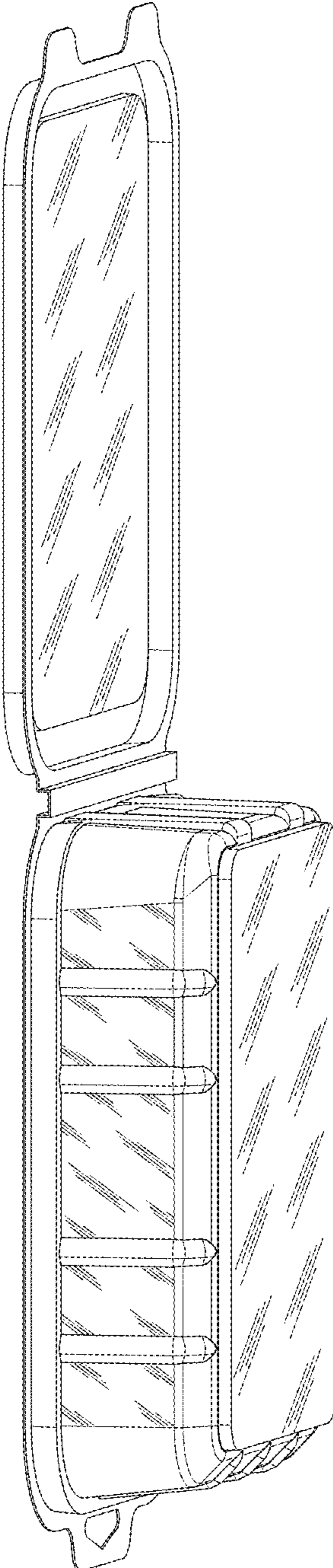


Fig.1

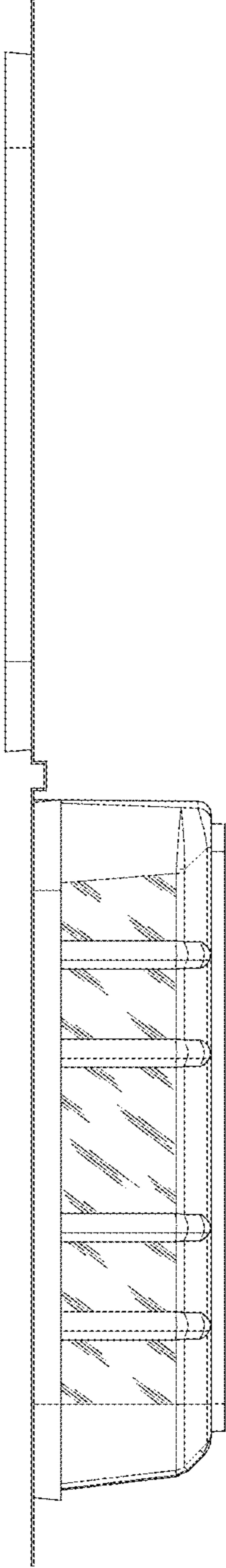


Fig.2

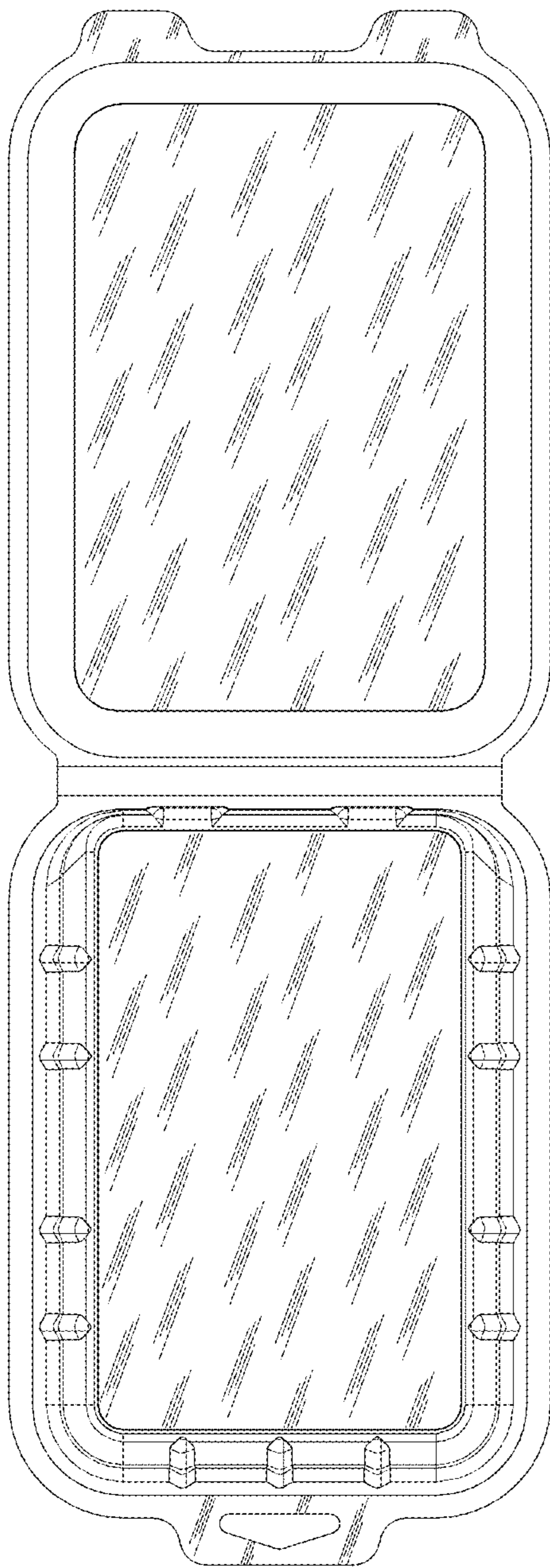


Fig.3

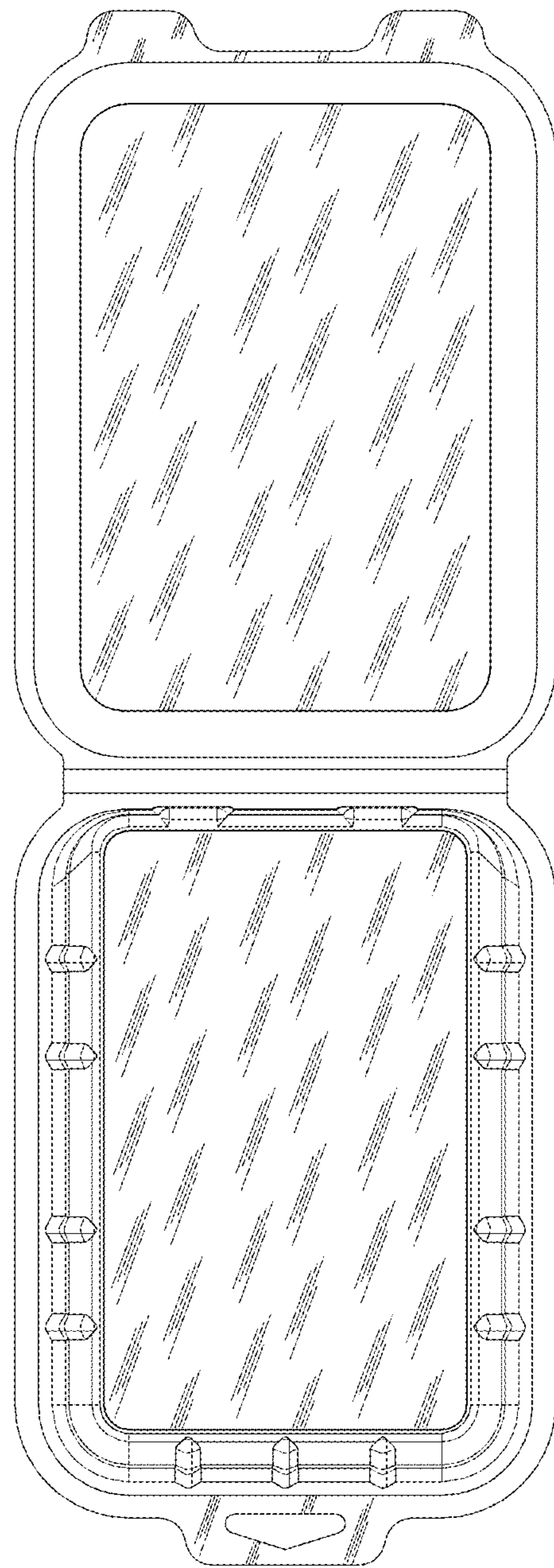


Fig.4

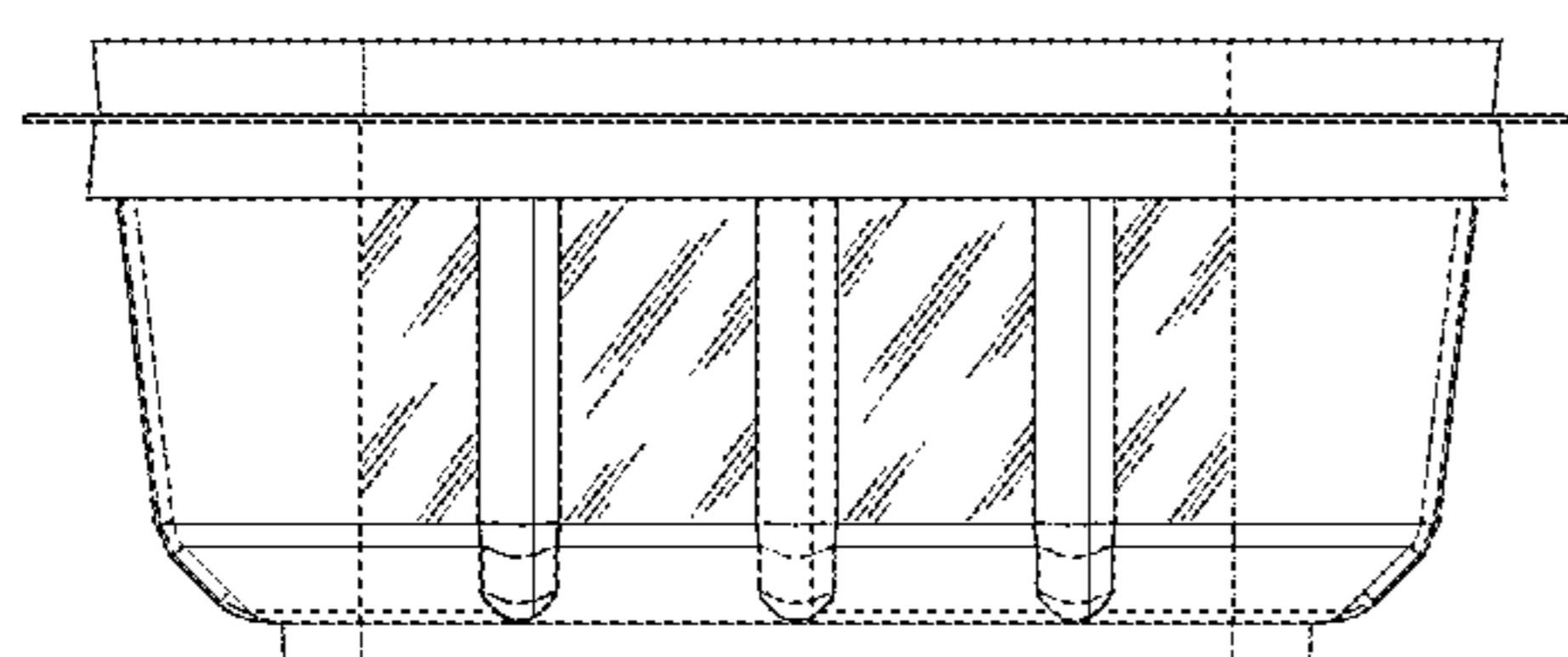


Fig.5

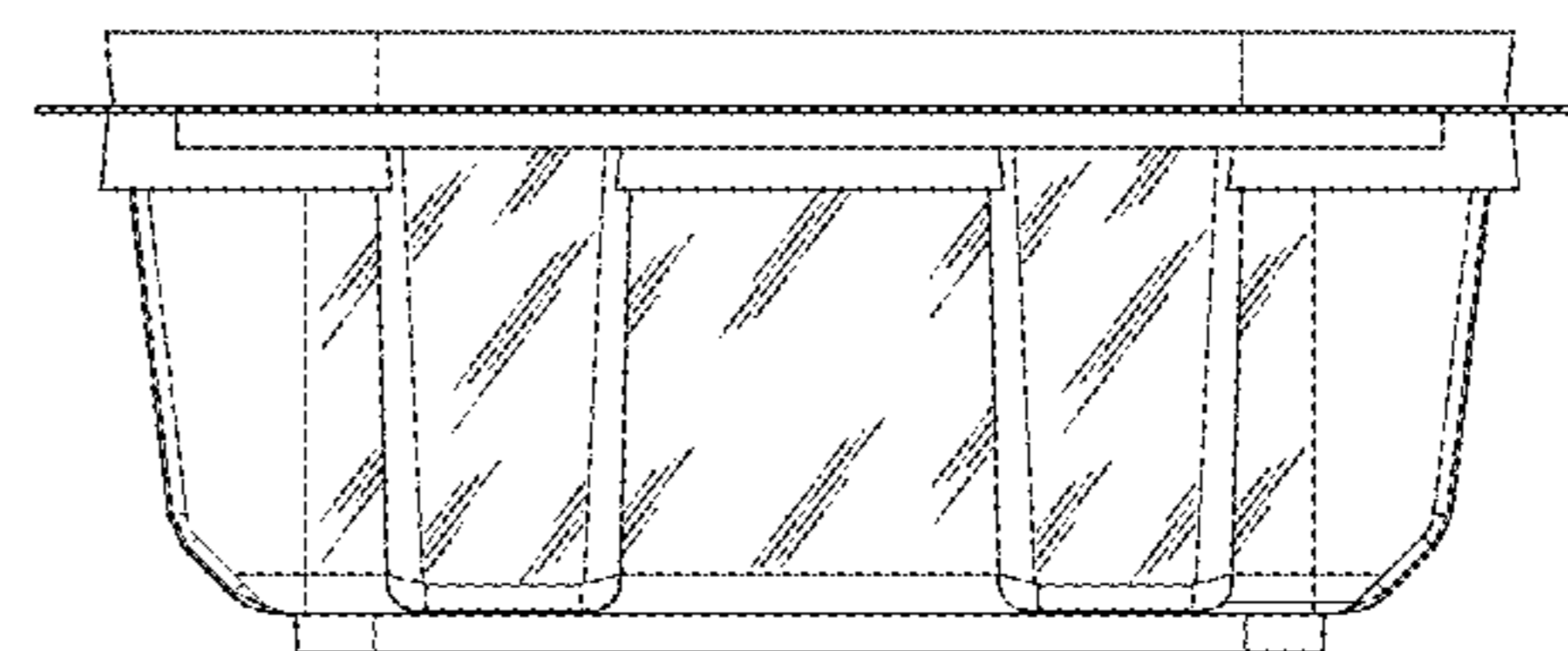


Fig.6

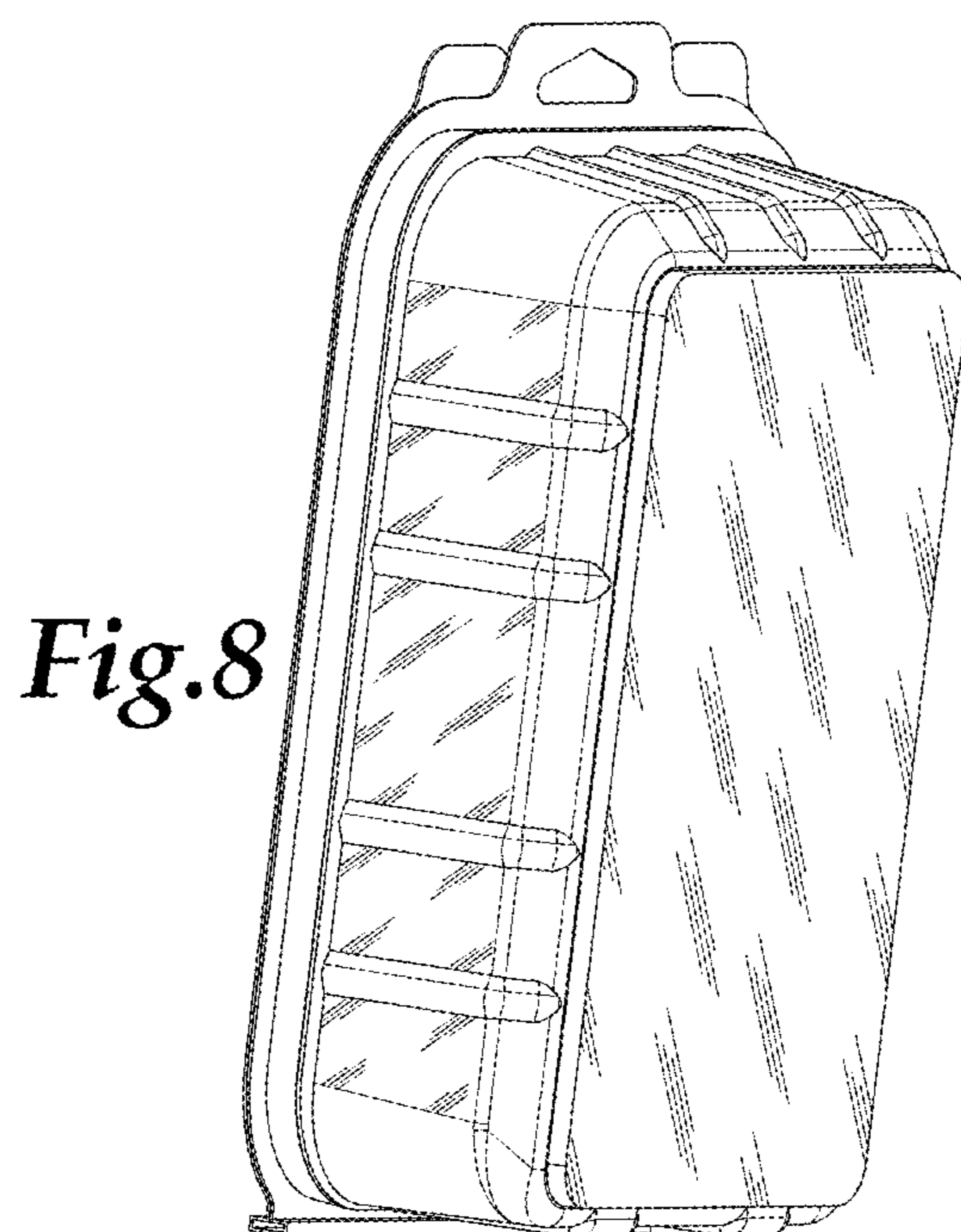
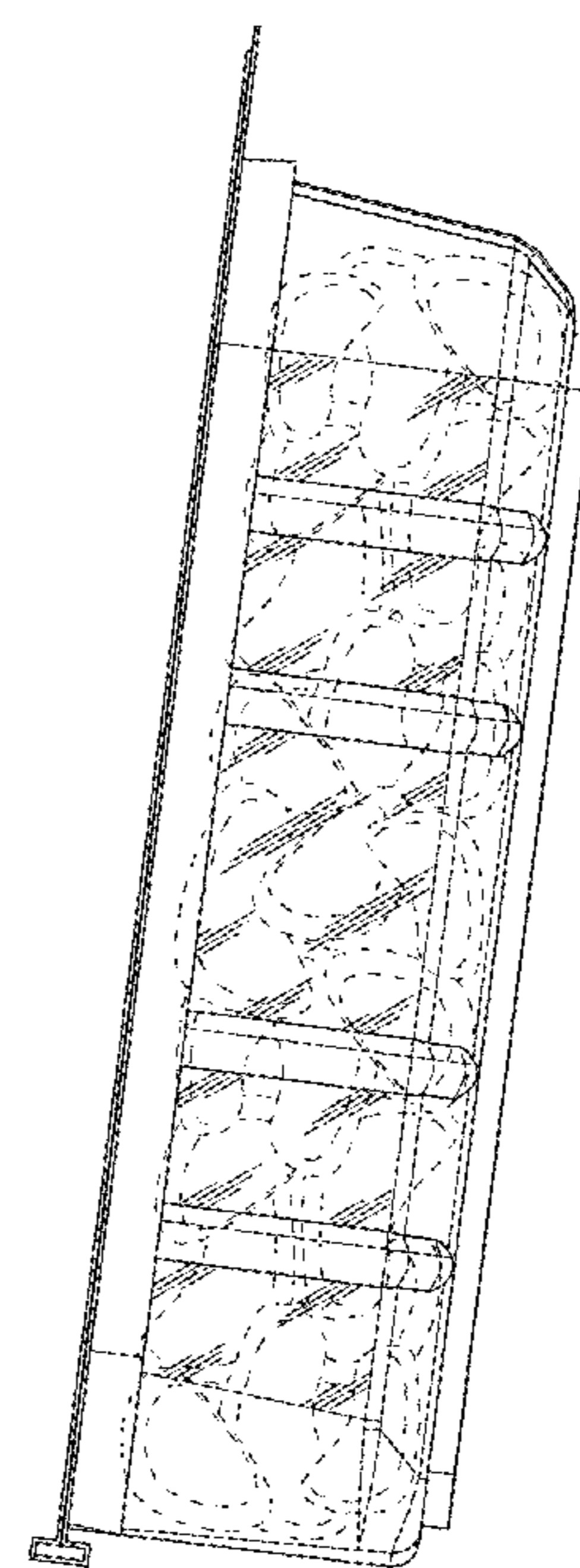
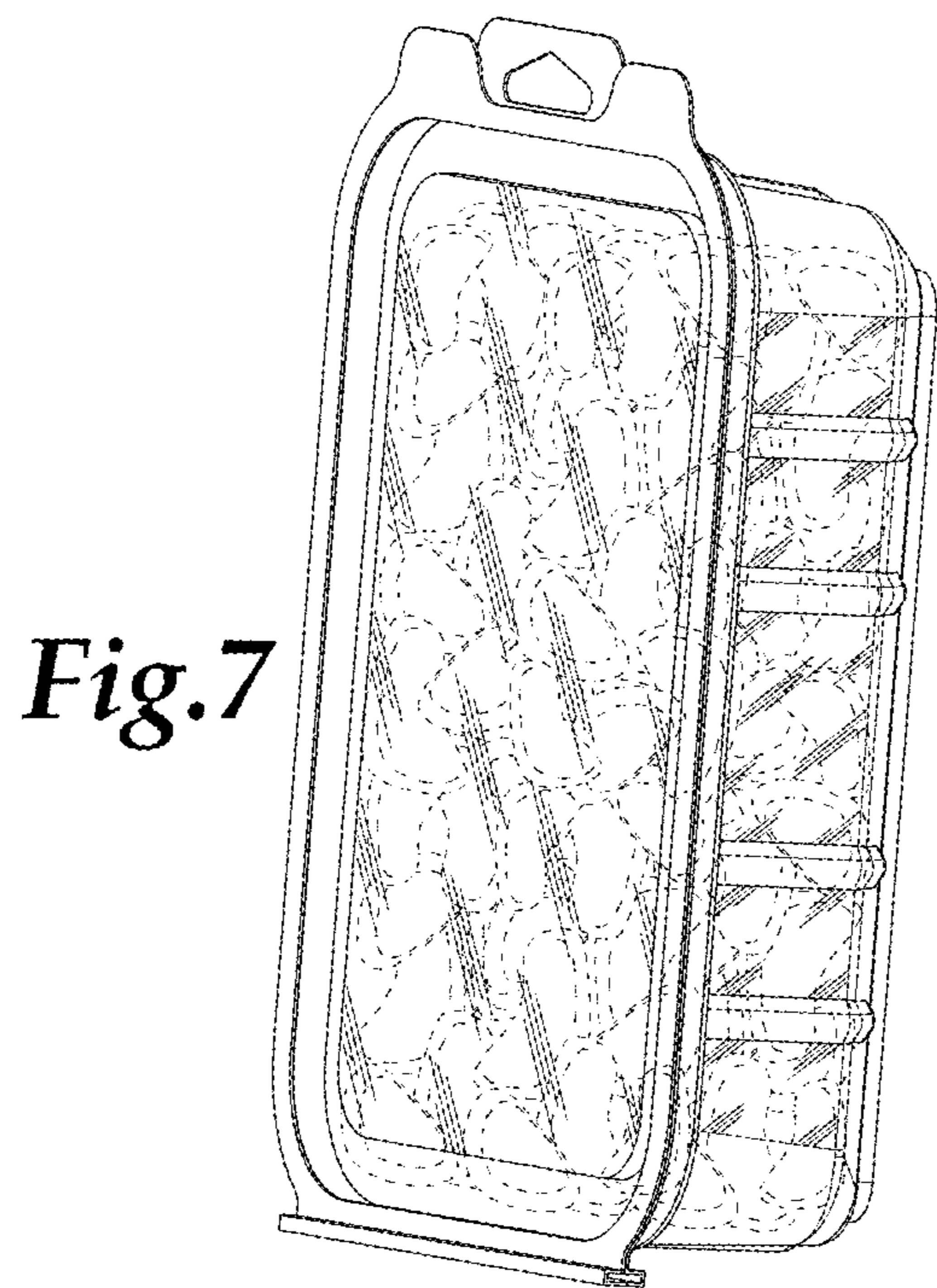


Fig.9

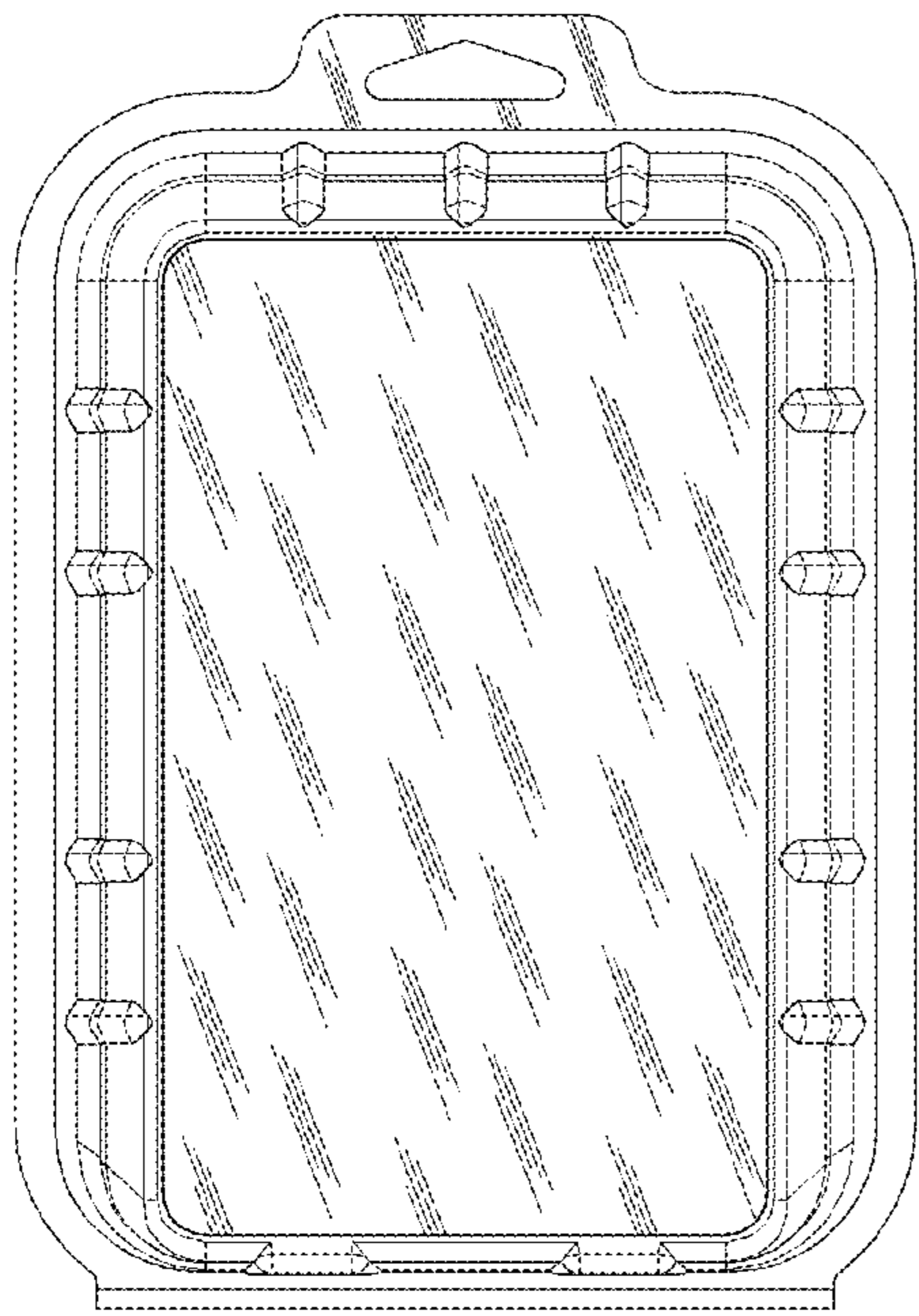


Fig. 10

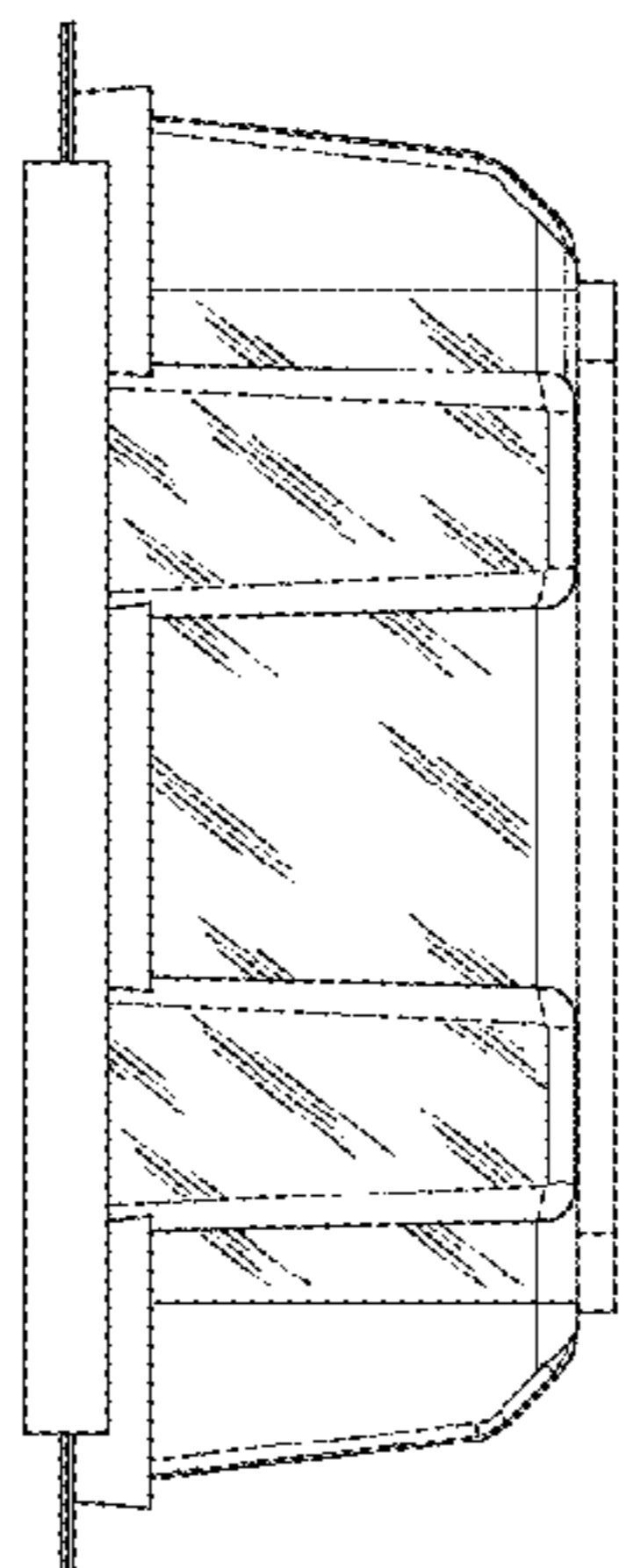


Fig. 11

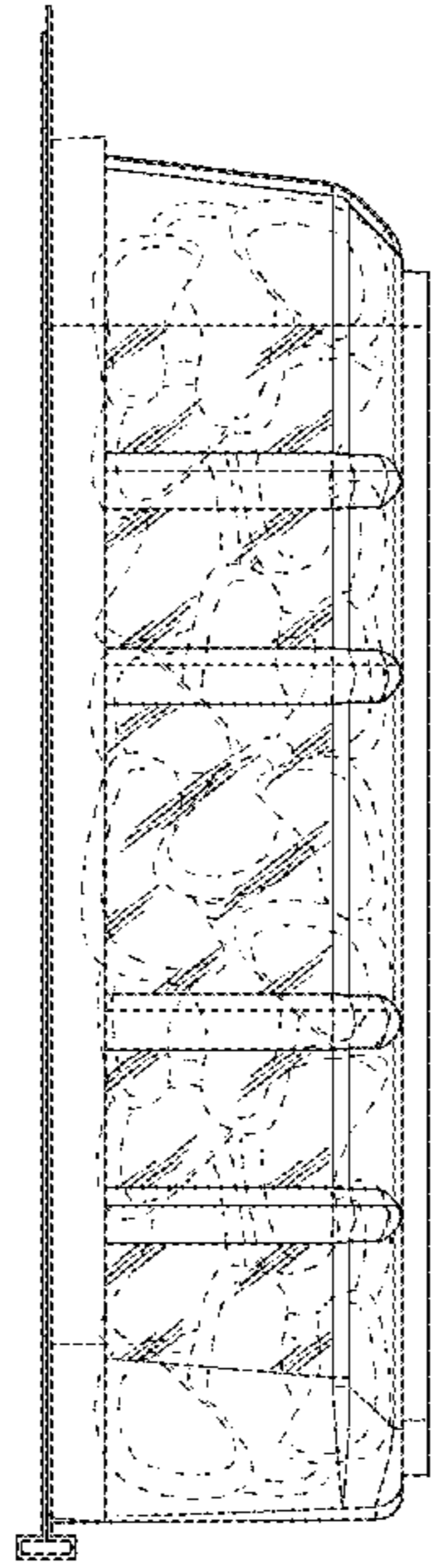


Fig. 12

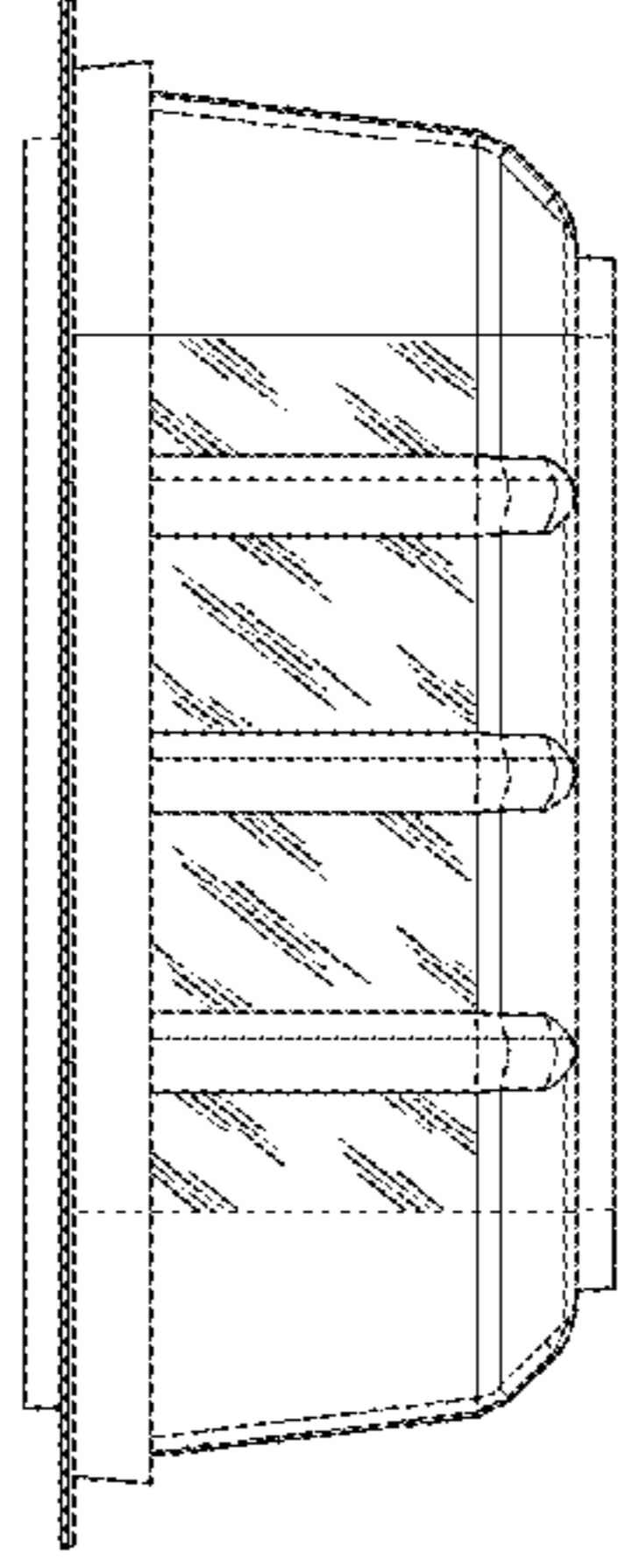


Fig. 13



Fig. 14