



US00D974167S

(12) **United States Design Patent** (10) **Patent No.:** **US D974,167 S**
Leruste et al. (45) **Date of Patent:** **** Jan. 3, 2023**

(54) **COMBINED FOOD PACKAGING WITH STEPS**
(71) Applicant: **Mowi ASA**, Bergen (NO)
(72) Inventors: **Bruno Leruste**, Paris (FR); **Javier Sánchez Lamelas**, Barcelona (ES); **Philippe De Bie**, Bruges (BE); **Emilia Schomburg**, Gdansk (PL); **Alexandre Savet**, Boulogne-sur-mer (FR); **Michal Sturtz**, Paris (FR); **Pedro Mir**, Barcelona (ES); **Tomasz Trela**, Warsaw (PL); **Jean Deterre**, Saragossa (ES); **Gabriel Chabert**, Boulogne-sur-mer (FR); **Ludo Aldelhof**, Bruges (BE)

(73) Assignee: **Mowi ASA**, Bergen (NO)
(**) Term: **15 Years**

(21) Appl. No.: **29/847,422**
(22) Filed: **Jul. 25, 2022**

Related U.S. Application Data

(63) Continuation of application No. 29/688,444, filed on Apr. 22, 2019, now Pat. No. Des. 958,646.

(30) **Foreign Application Priority Data**

Oct. 22, 2018 (EM) EM005803996-001
Oct. 22, 2018 (EM) EM005803996-002
(Continued)

(51) **LOC (14) Cl.** **09-03**
(52) **U.S. Cl.**
USPC **D9/418**

(58) **Field of Classification Search**
USPC D9/414-418, 426, 756, 425, 758, 707;
D20/8; D14/440; D1/121; D7/553
(Continued)

(56) **References Cited**
U.S. PATENT DOCUMENTS
3,168,192 A * 2/1965 Nicholson B65D 5/5206
206/45.24
D237,779 S * 11/1975 Lucas D9/426
(Continued)

Primary Examiner — Rhea Shields
(74) *Attorney, Agent, or Firm* — Cooley LLP

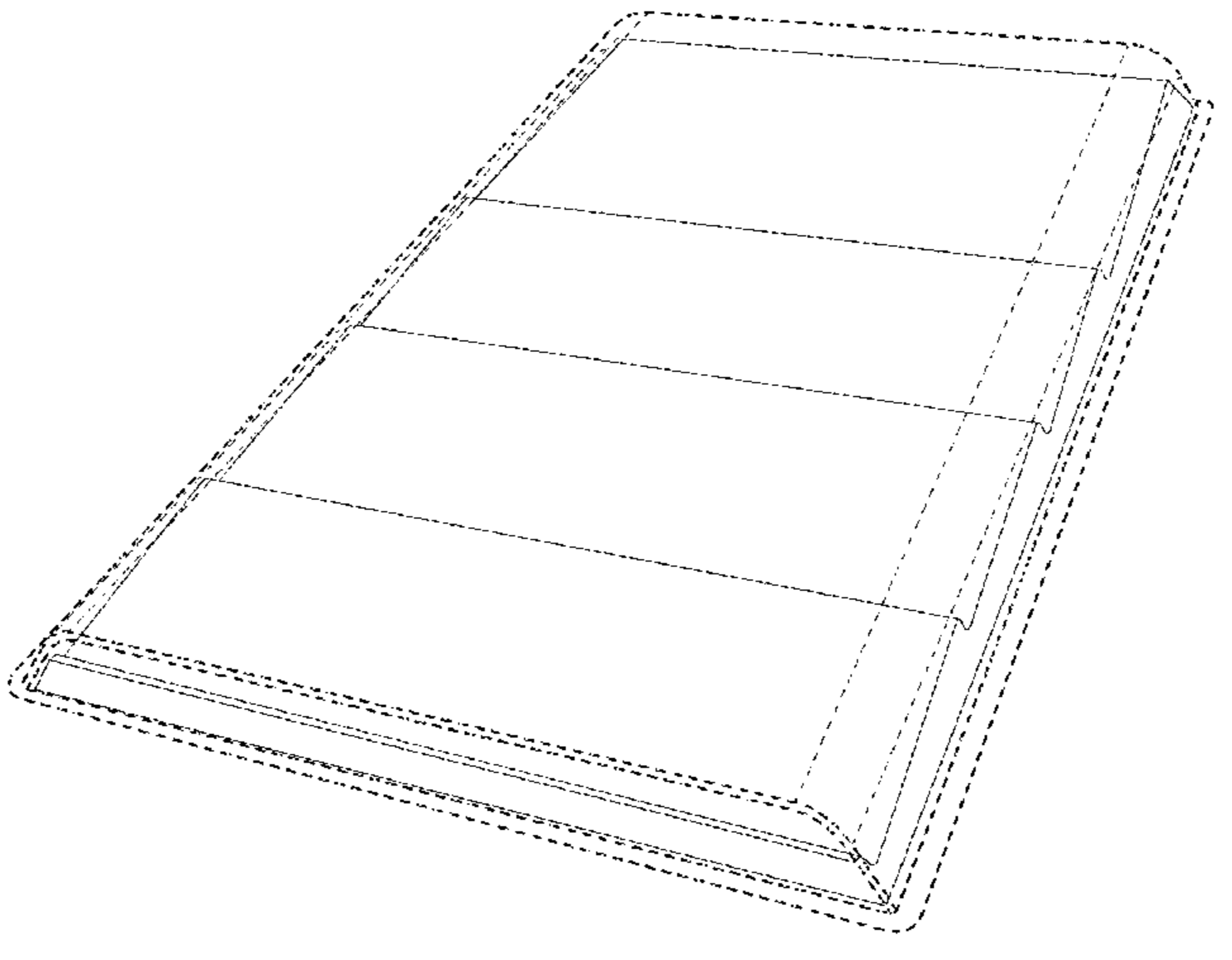
(57) **CLAIM**

The ornamental design for combined food package with steps, as shown and described.

DESCRIPTION

FIG. 1 is a perspective view of a first embodiment of a new design for combined food package with steps;
FIG. 2 is a top view thereof;
FIG. 3 is an end view thereof;
FIG. 4 is a left side view thereof, the right side being substantially a mirror thereof;
FIG. 5 is a bottom view thereof;
FIG. 6 is a perspective view thereof, showing an environment;
FIG. 7 is a top view thereof;
FIG. 8 is an end view thereof;
FIG. 9 is a left side view thereof, the right side being substantially a mirror thereof;
FIG. 10 is a perspective view of a second embodiment of the new design for combined food packaging with steps;
FIG. 11 is a perspective view of a third embodiment of the new design for combined food packaging with steps; and
FIG. 12 is a perspective view of a fourth embodiment of the new design for combined food packaging with steps.
In FIGS. 10, 11, and 12, the combined food package with steps is shown with a symbolic break in its width and length, rendered using dash-dot-dash lines. The appearance of any portion of the article beyond the break line forms no part of

(Continued)



the claimed design. The dash-dash broken lines in FIGS. 6-9 represent environment only and form no part of the claimed design.

1 Claim, 8 Drawing Sheets

(30) **Foreign Application Priority Data**

Oct. 22, 2018 (EM) EM005803996-003
 Oct. 22, 2018 (EM) EM005803996-004
 Oct. 22, 2018 (EM) EM005803996-005
 Oct. 22, 2018 (EM) EM005803996-006
 Oct. 22, 2018 (EM) EM005803996-007
 Oct. 22, 2018 (EM) EM005803996-008
 Oct. 22, 2018 (EM) EM005803996-009
 Oct. 22, 2018 (EM) EM005803996-010
 Oct. 22, 2018 (EM) EM005803996-011
 Oct. 22, 2018 (EM) EM005803996-012
 Oct. 22, 2018 (EM) EM005803996-013
 Oct. 22, 2018 (EM) EM005803996-014

(58) **Field of Classification Search**

CPC B65D 73/0092; B65D 5/52; B65D 5/5206;
 A47B 97/00; A61B 6/4266
 See application file for complete search history.

(56)

References Cited

U.S. PATENT DOCUMENTS

4,832,208 A * 5/1989 Finnegan A47B 97/00
 211/74
 D352,454 S * 11/1994 Krupa D9/425
 D443,509 S * 6/2001 Nantel D9/425
 D536,261 S * 2/2007 Raile D9/756
 D658,188 S * 4/2012 Diebel D14/440
 D665,273 S * 8/2012 Castelletti D9/758
 D702,998 S * 4/2014 Fugere D7/409
 D741,041 S * 10/2015 Walker D1/121
 D774,595 S * 12/2016 Stolarz D20/8
 D801,193 S * 10/2017 Vorobej D9/425
 D812,476 S * 3/2018 Bergeron D9/756
 D824,269 S * 7/2018 Vorobej D9/425
 D855,478 S * 8/2019 Vorobej D9/426
 D858,203 S * 9/2019 Stevenson D7/553.2
 D869,959 S * 12/2019 Huang A61B 6/4266
 D958,646 S * 7/2022 Leruste D9/707
 D9/418

* cited by examiner

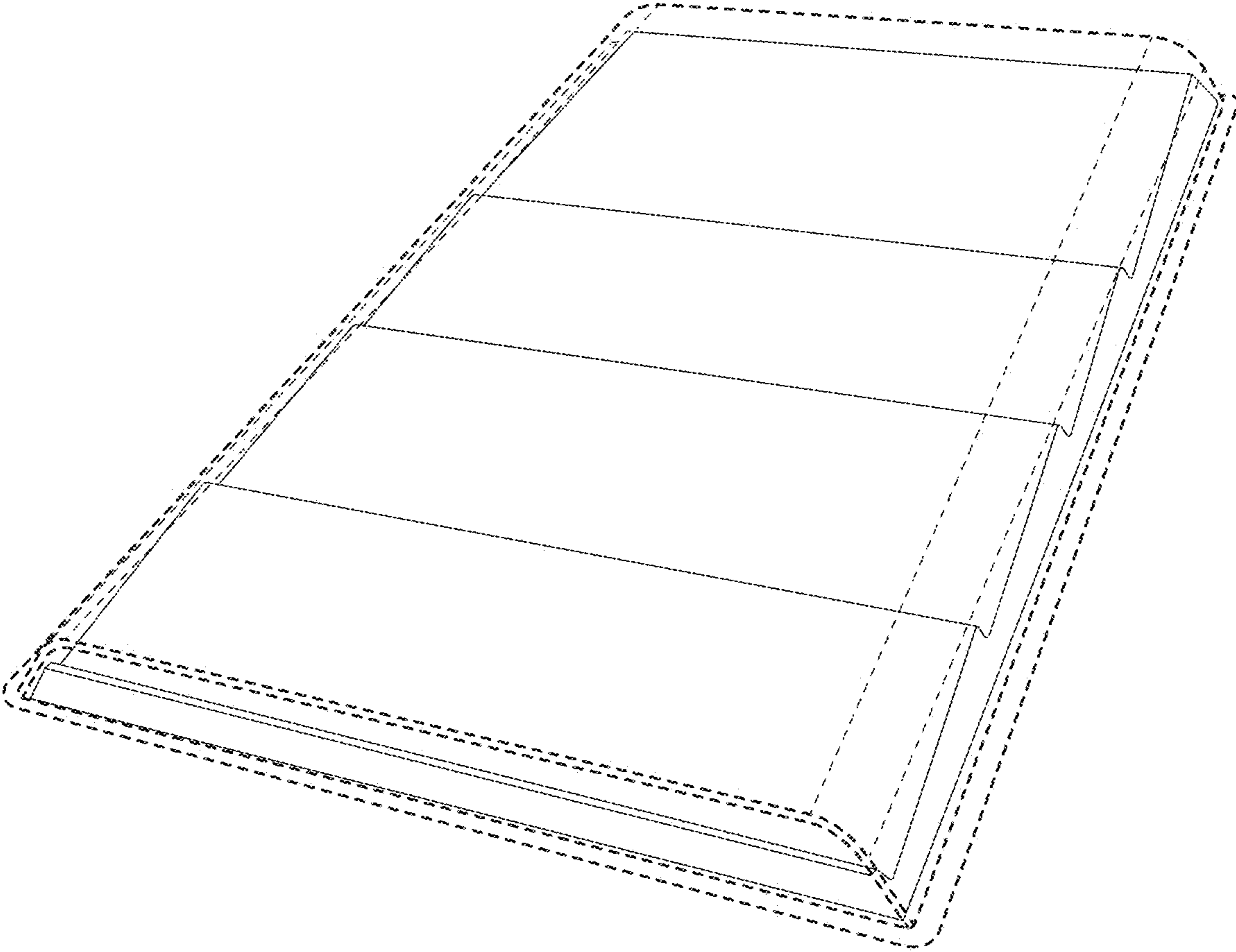


FIG. 1



FIG. 3

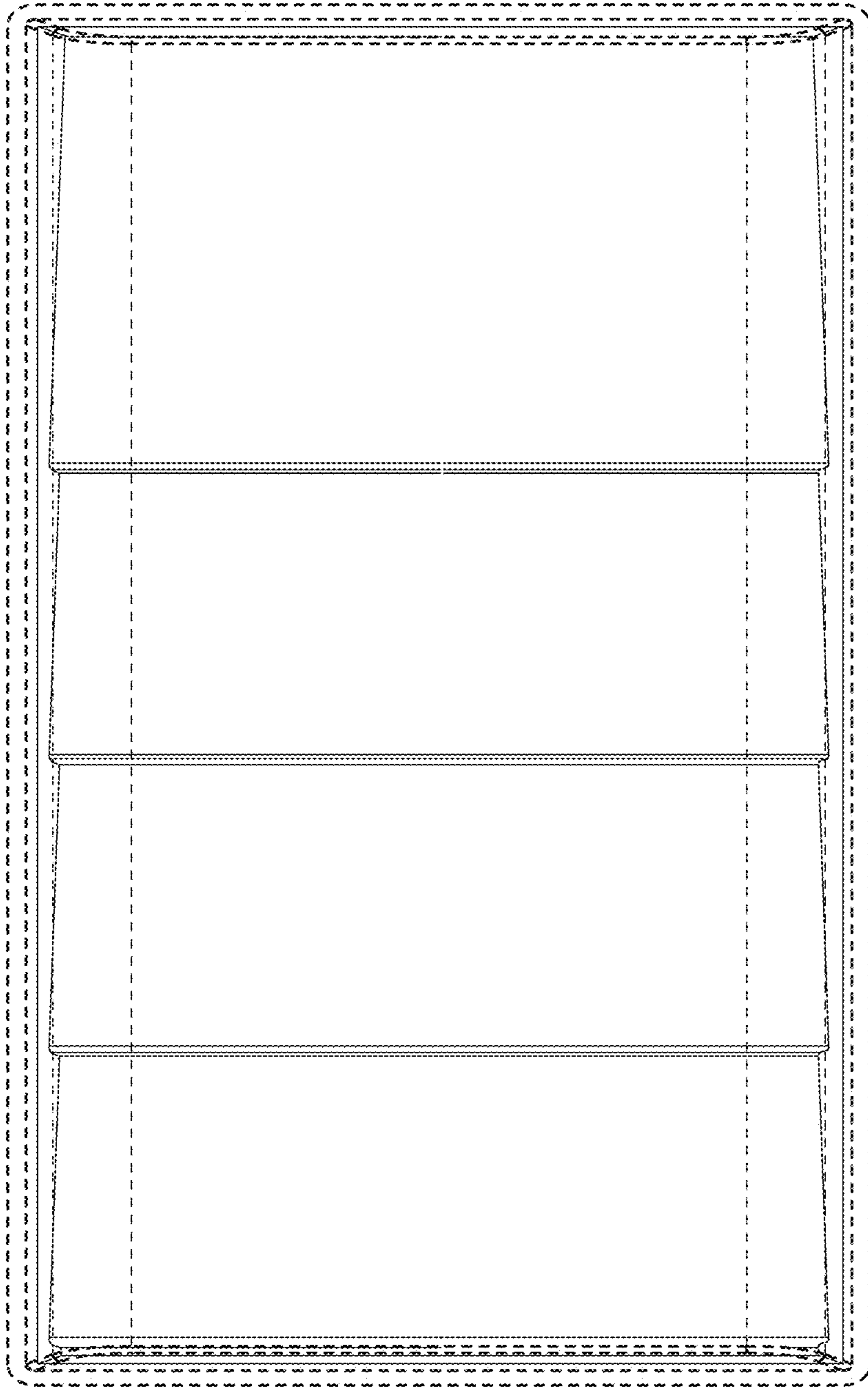


FIG. 2

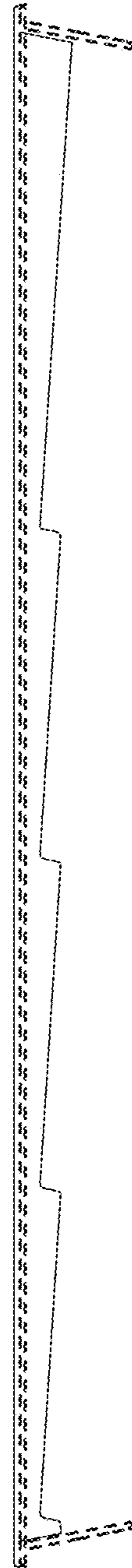


FIG. 4

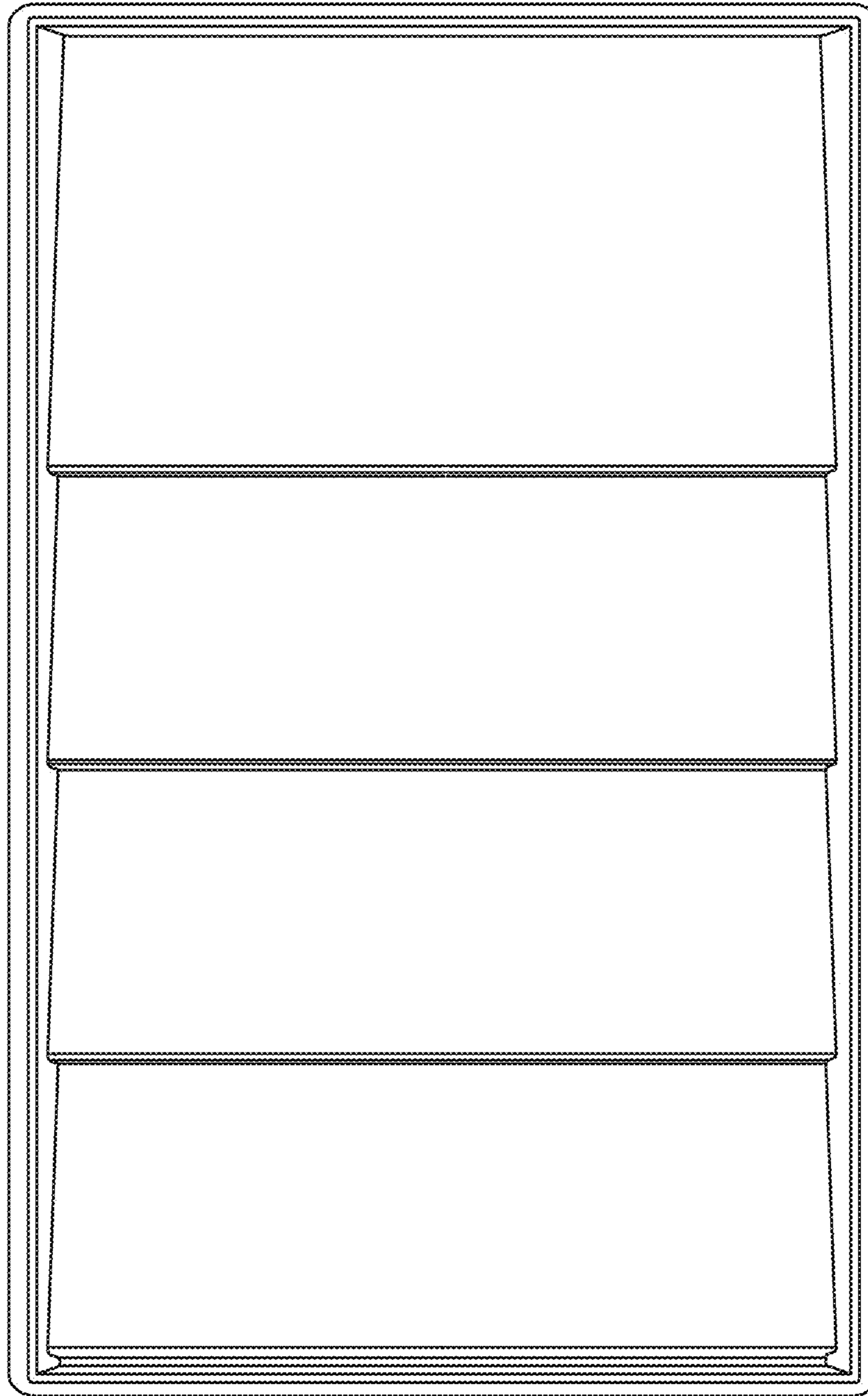


FIG. 5

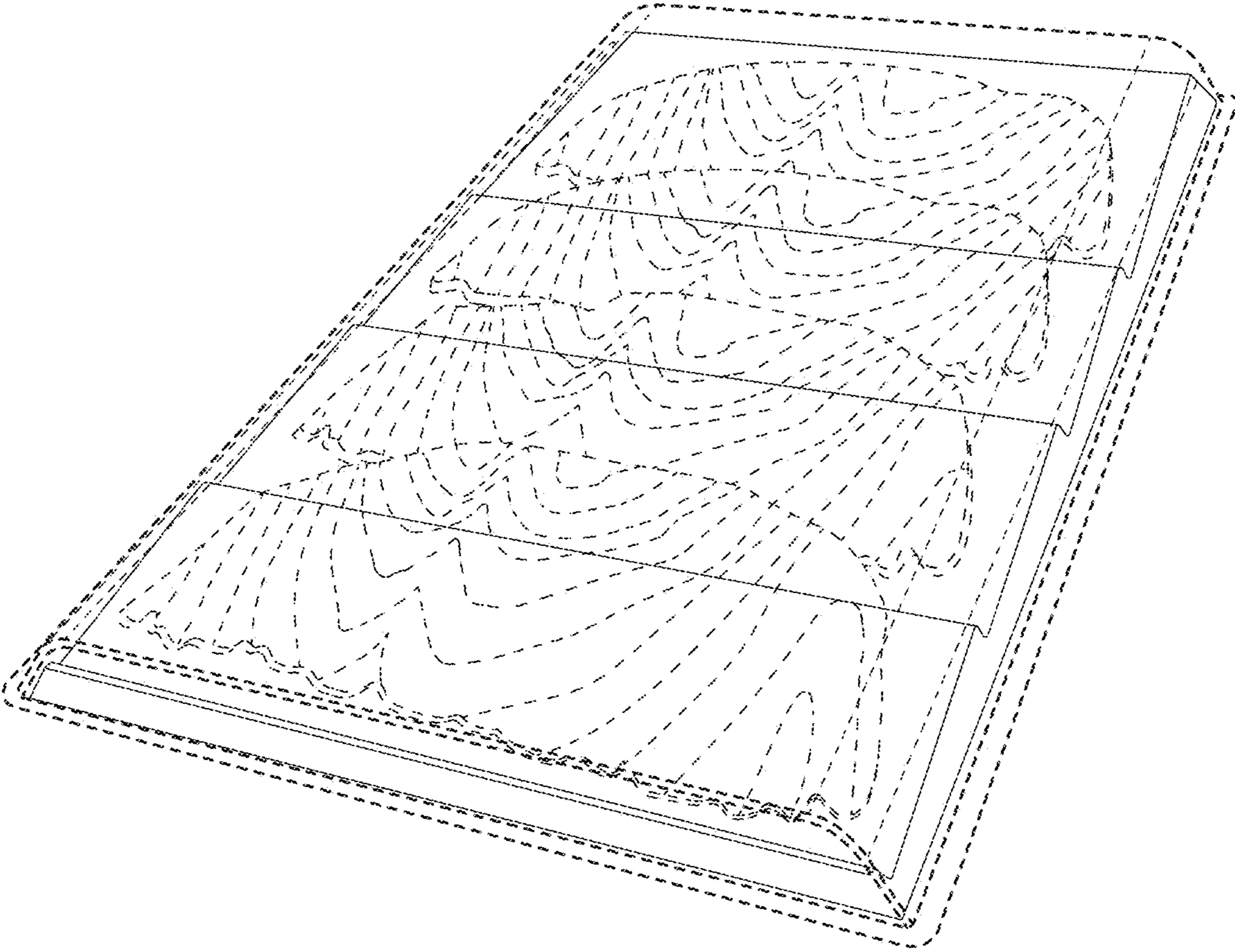


FIG. 6

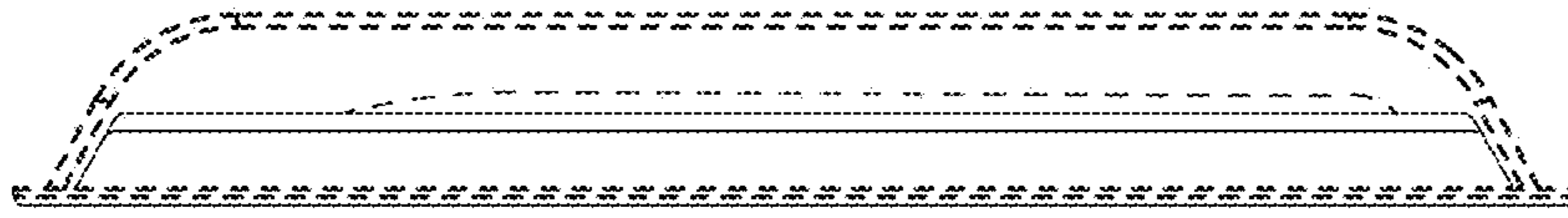


FIG. 8

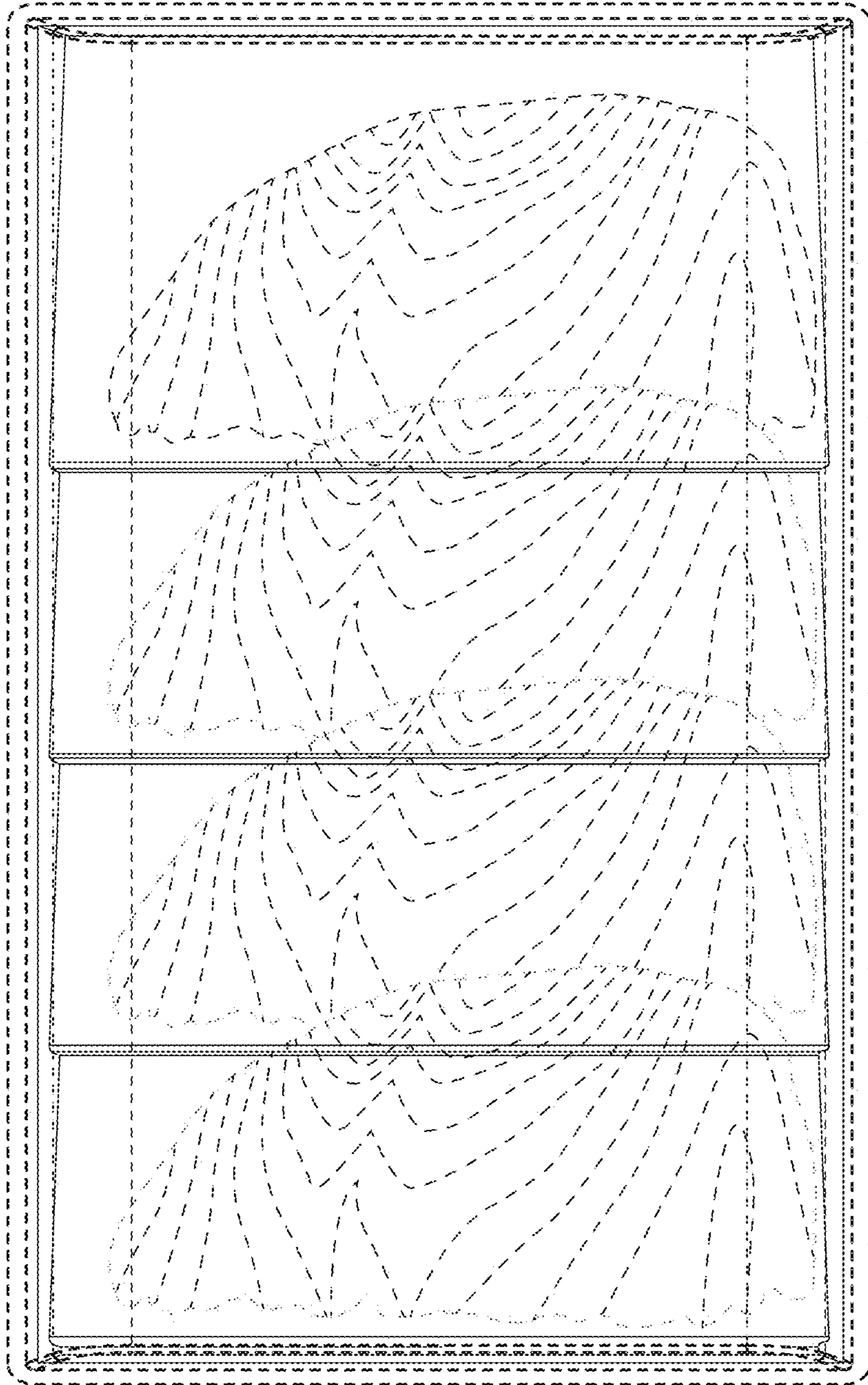


FIG. 7

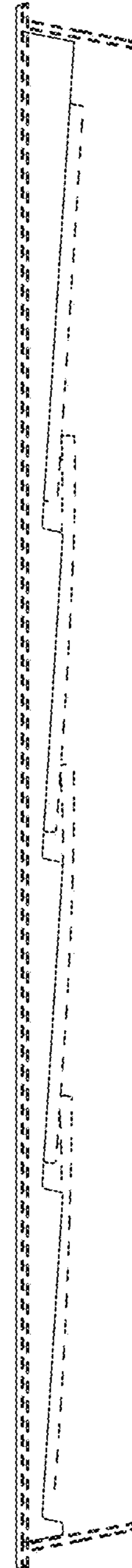


FIG. 9

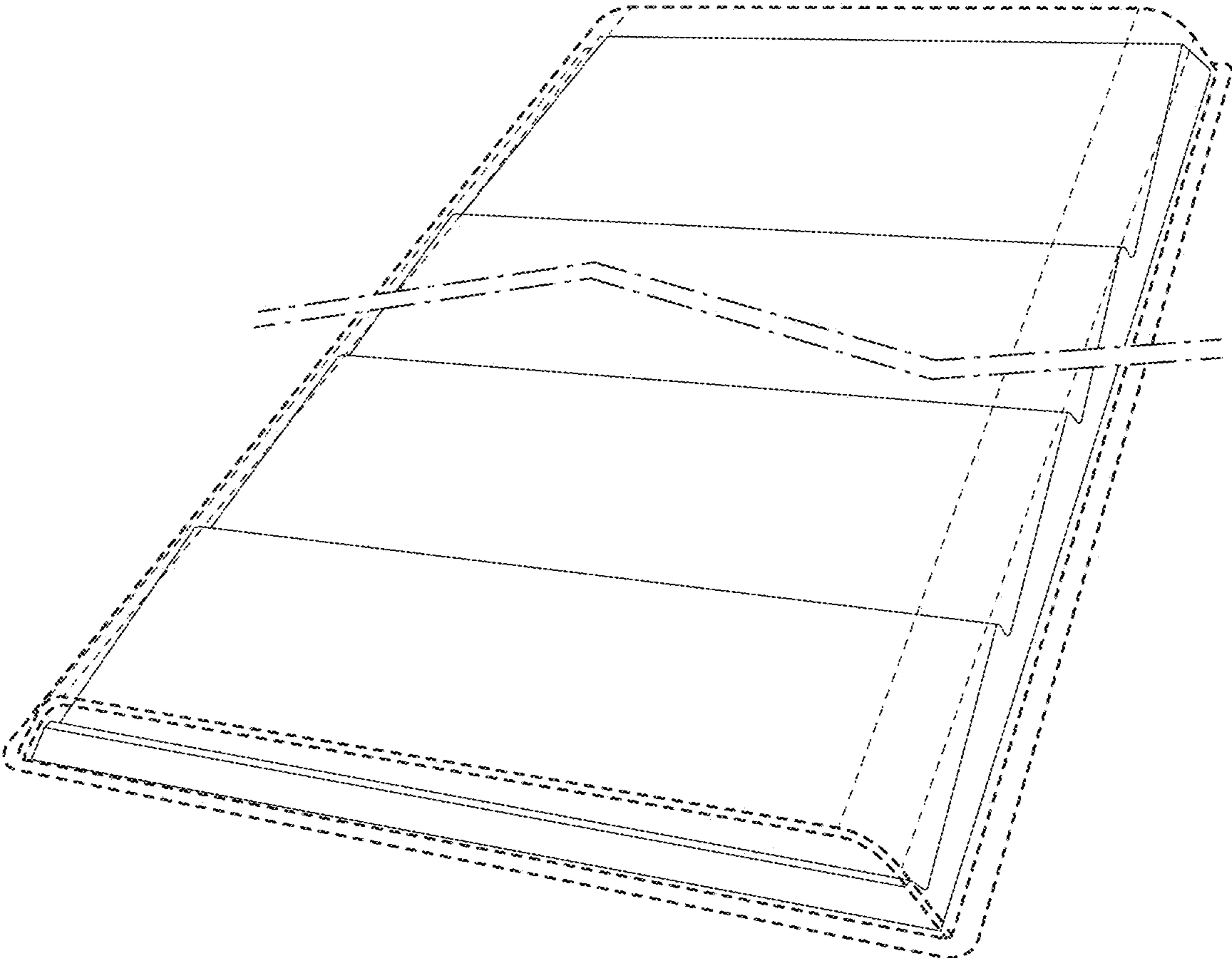


FIG. 10

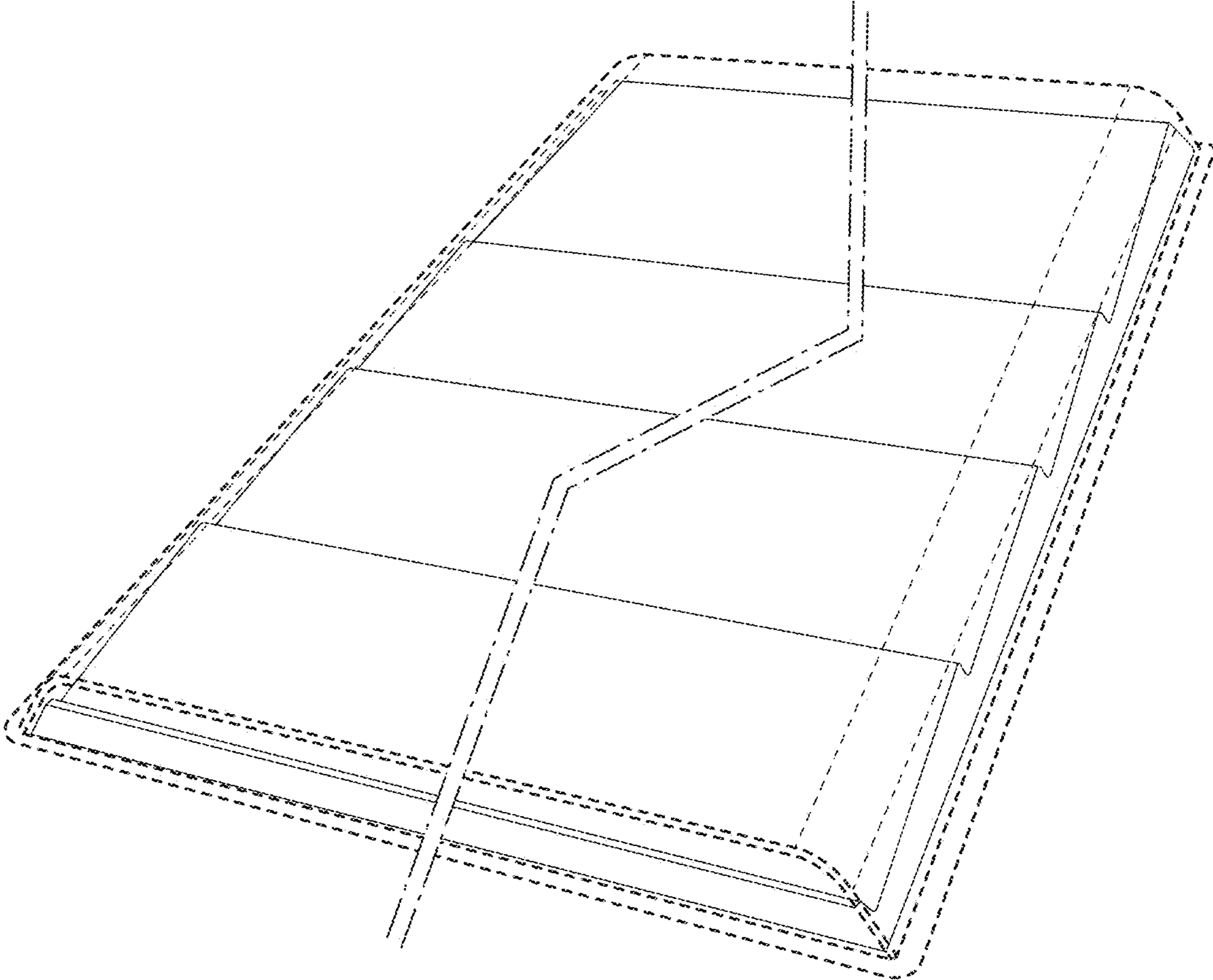


FIG. 11

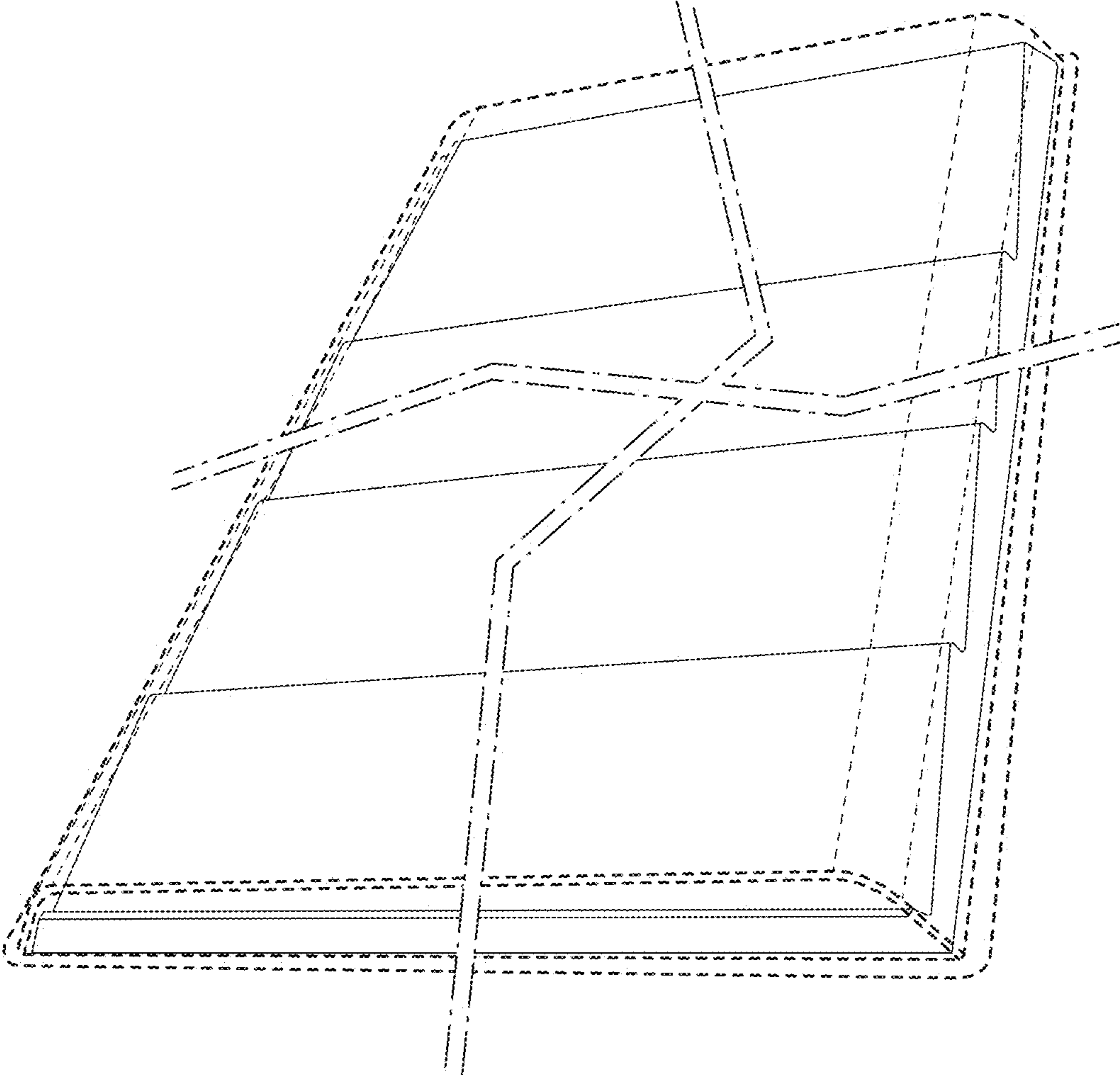


FIG. 12