



US00D974165S

(12) **United States Design Patent**
Jauhar

(10) **Patent No.:** **US D974,165 S**

(45) **Date of Patent:** **** Jan. 3, 2023**

(54) **CORD HOLDER**

(71) Applicant: **Mushtaq Jauhar**, Pasco, WA (US)

(72) Inventor: **Mushtaq Jauhar**, Pasco, WA (US)

(**) Term: **15 Years**

(21) Appl. No.: **29/712,273**

(22) Filed: **Nov. 7, 2019**

(51) **LOC (14) Cl.** **09-03**

(52) **U.S. Cl.**
USPC **D9/418**

(58) **Field of Classification Search**
USPC D13/123, 133, 139.1, 139.2, 139.4, 152,
D13/154, 155, 156, 158, 184; D8/354;
D9/415, 418, 424, 722
See application file for complete search history.

(56) **References Cited**

U.S. PATENT DOCUMENTS

D706,643 S	*	6/2014	Akana	D9/721
D722,497 S	*	2/2015	Saideh	D9/432
D740,653 S	*	10/2015	Akana	D9/418
D744,855 S	*	12/2015	Akana	D9/721
D840,218 S	*	2/2019	Thain	D9/415

D869,269 S	*	12/2019	Giwani	D9/418
D911,958 S	*	3/2021	Zeng	D13/108
D917,303 S	*	4/2021	Akana	D9/721

* cited by examiner

Primary Examiner — Jennifer O King
(74) *Attorney, Agent, or Firm* — Seattle Patent Group
LLC; James Haugen

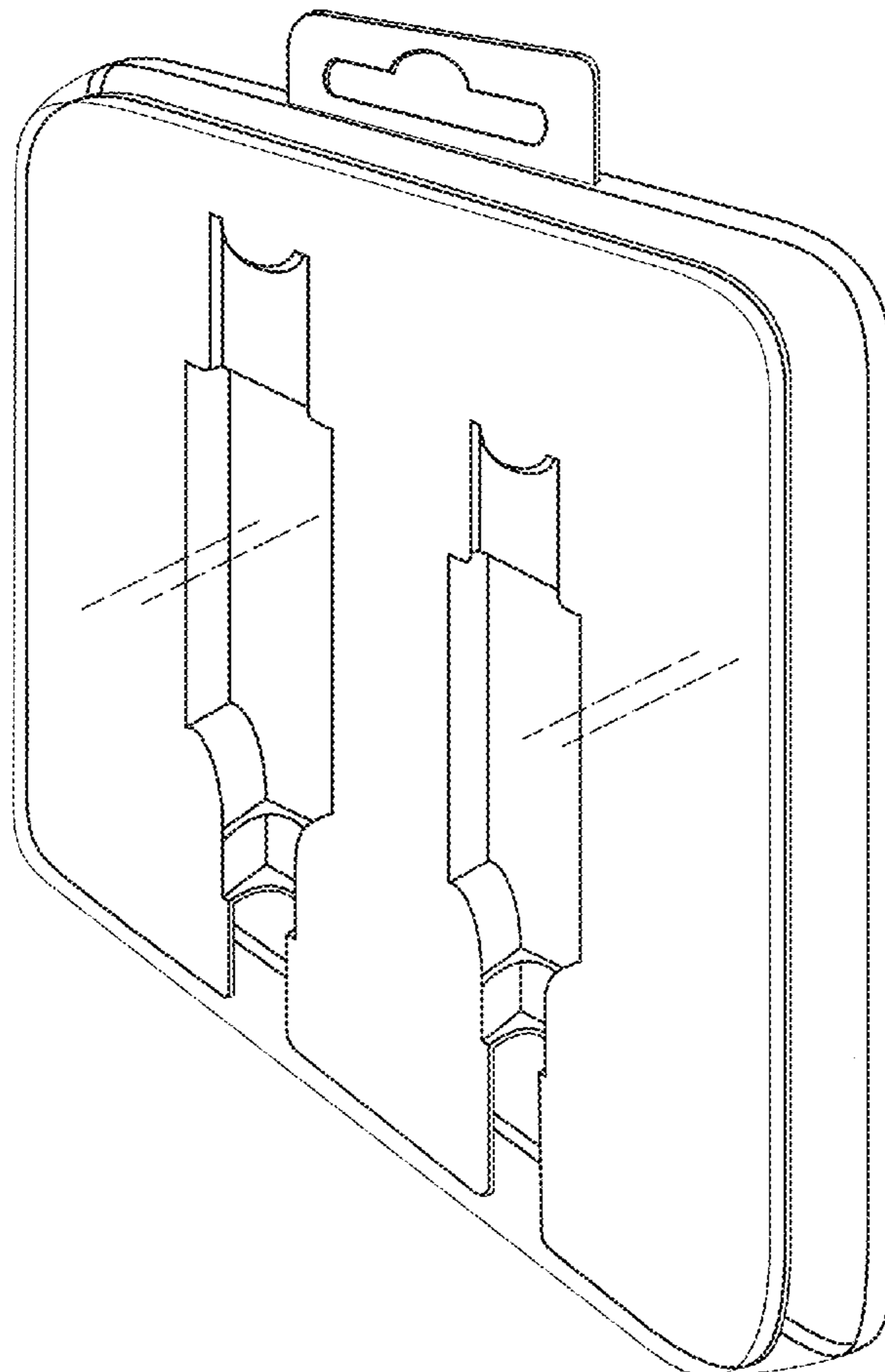
(57) **CLAIM**

I claim the ornamental design for a cord holder, as shown and described.

DESCRIPTION

FIG. 1 is a front view of a cord holder, according to the present design.
FIG. 2 is a back view thereof.
FIG. 3 is a top view thereof.
FIG. 4 is a bottom view thereof.
FIG. 5 is a partial view of internal elements thereof, shown in isolation for ease of illustration.
FIG. 6 is a partial view of internal elements thereof, shown in isolation for ease of illustration; and,
FIG. 7 is a perspective view thereof.
The broken lines shown represent portions of the cord holder that form no part of the claimed design.

1 Claim, 7 Drawing Sheets



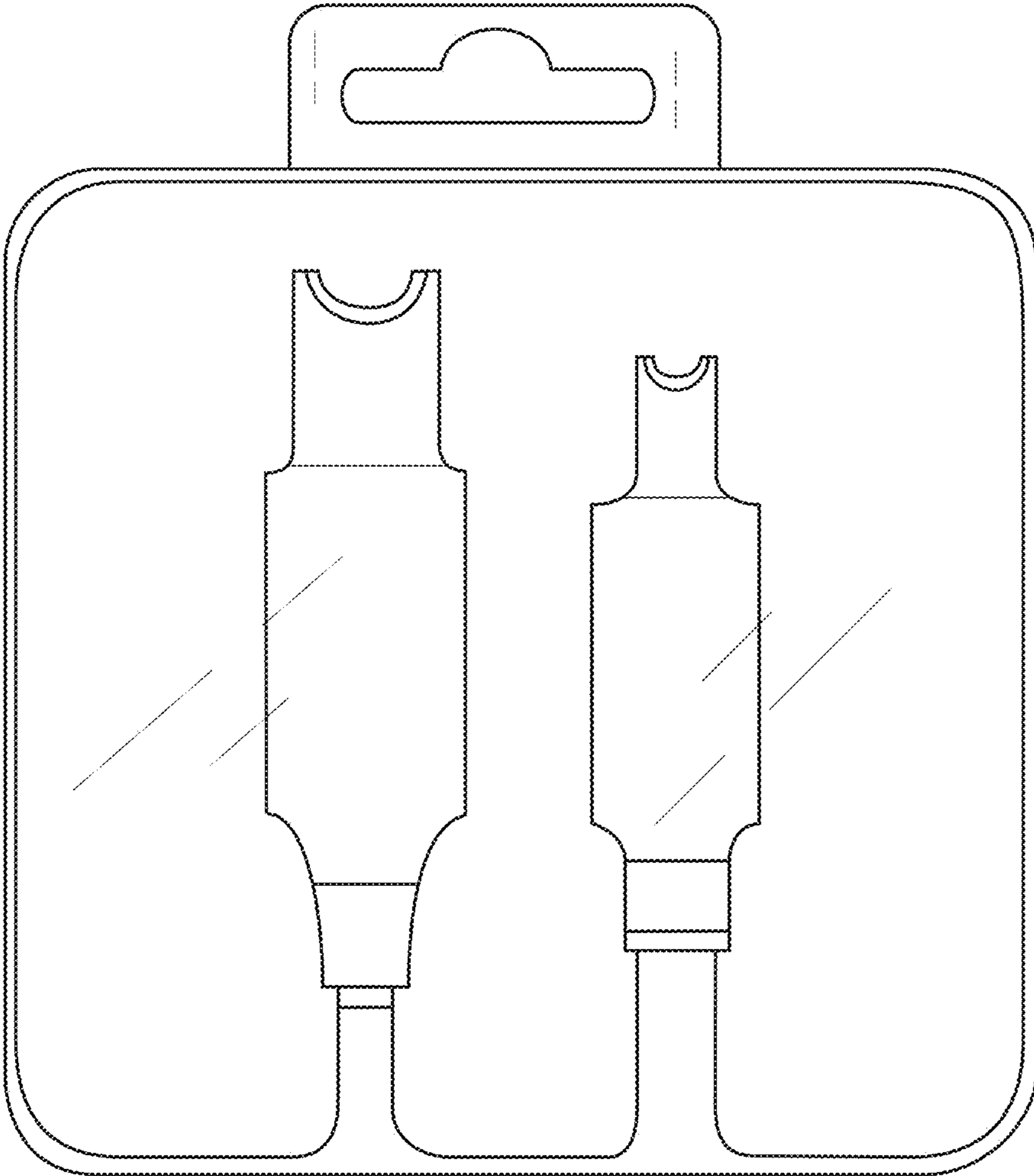


FIG. 1

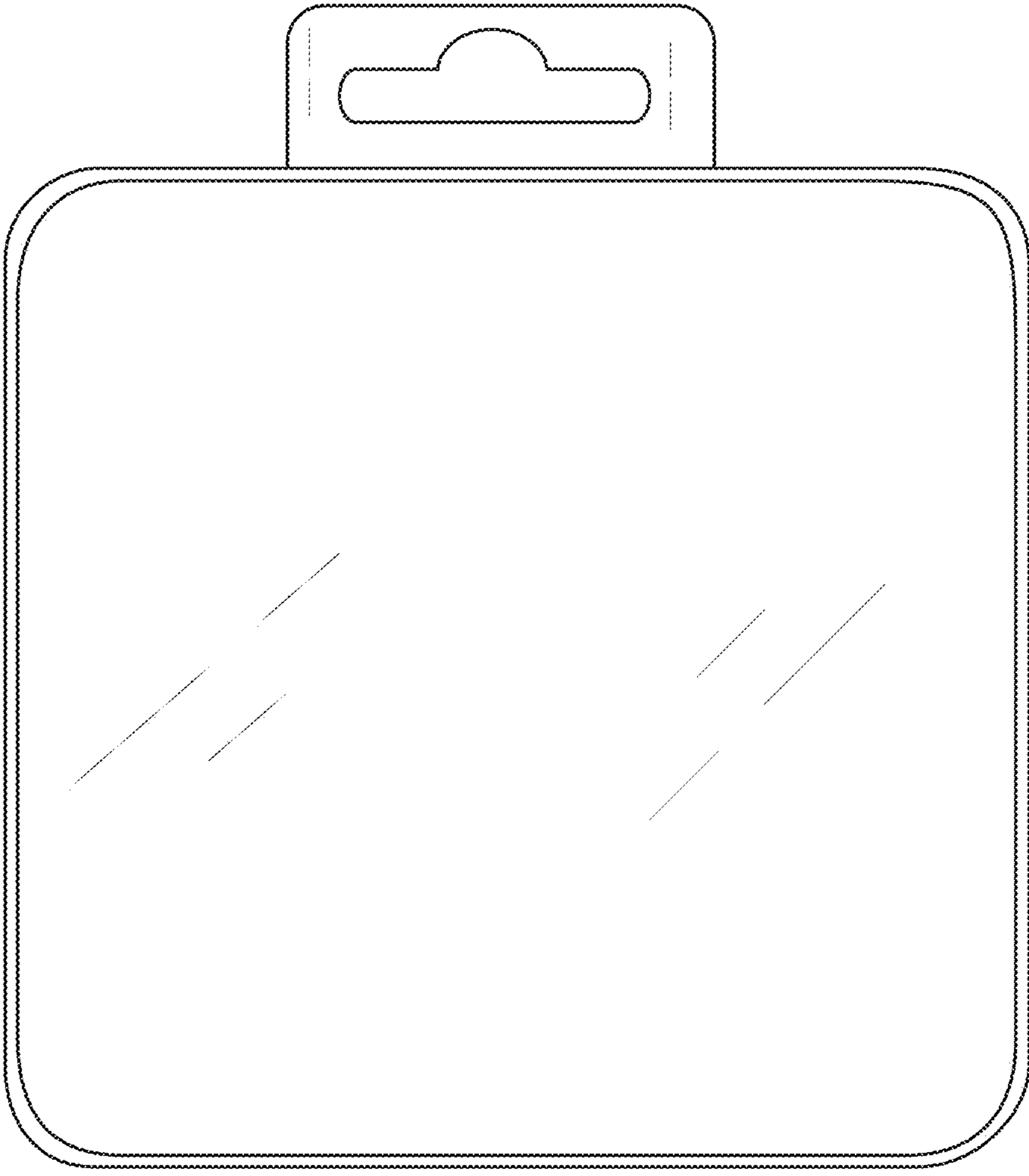


FIG. 2

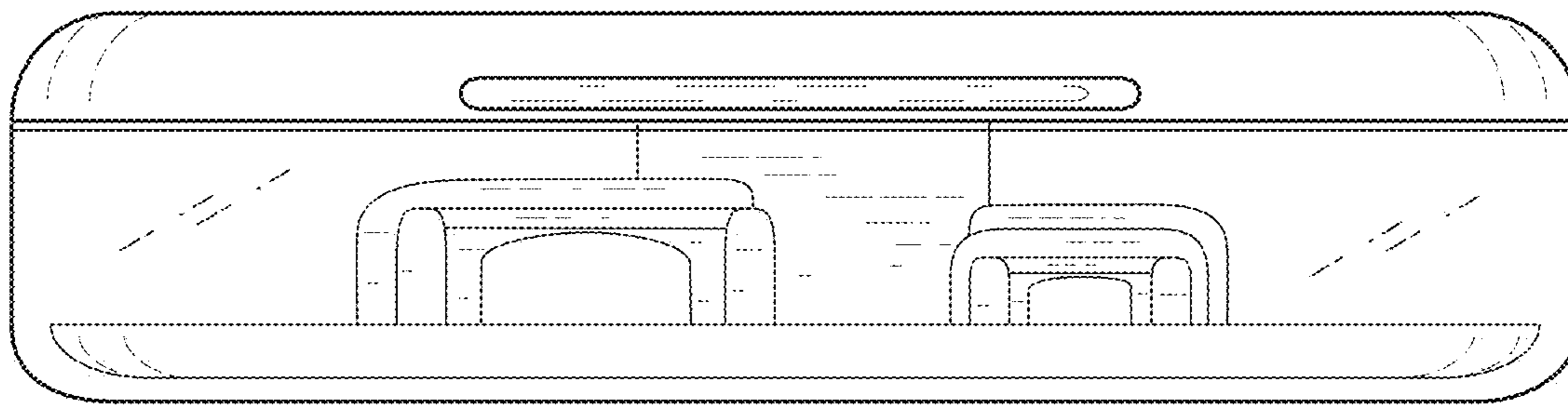


FIG. 3

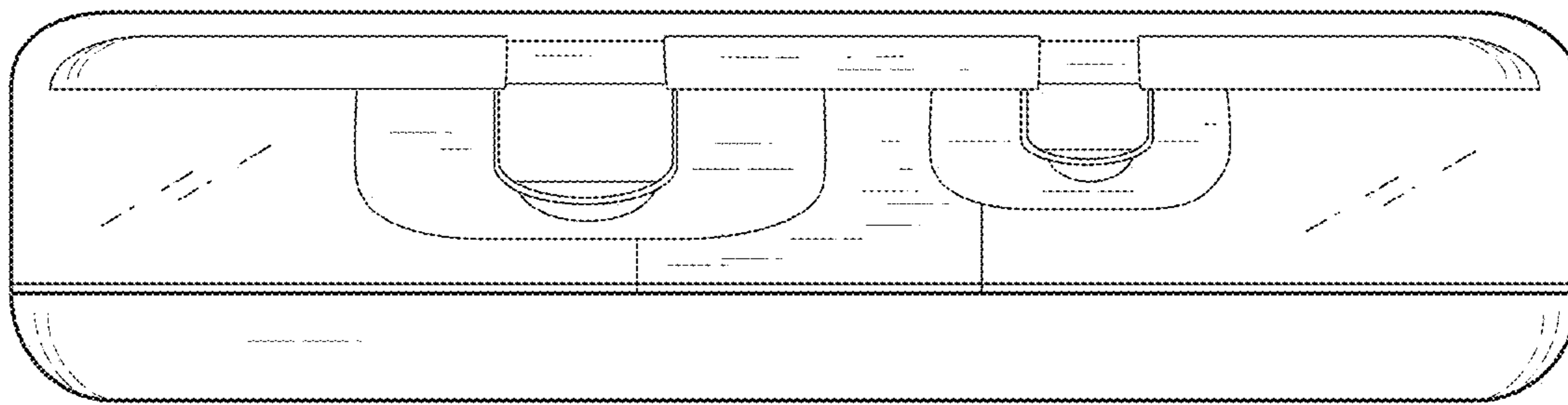


FIG. 4

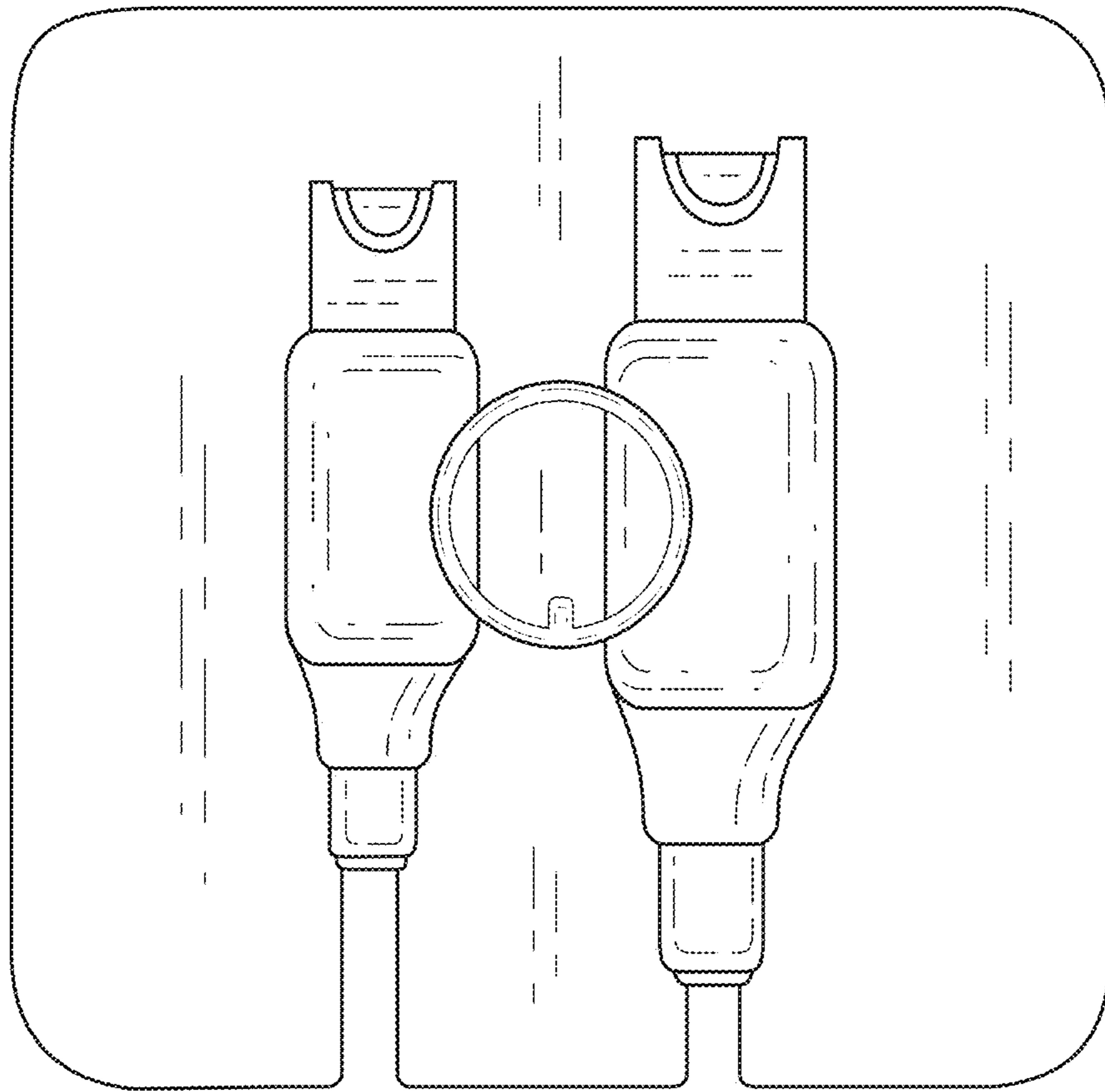


FIG. 5

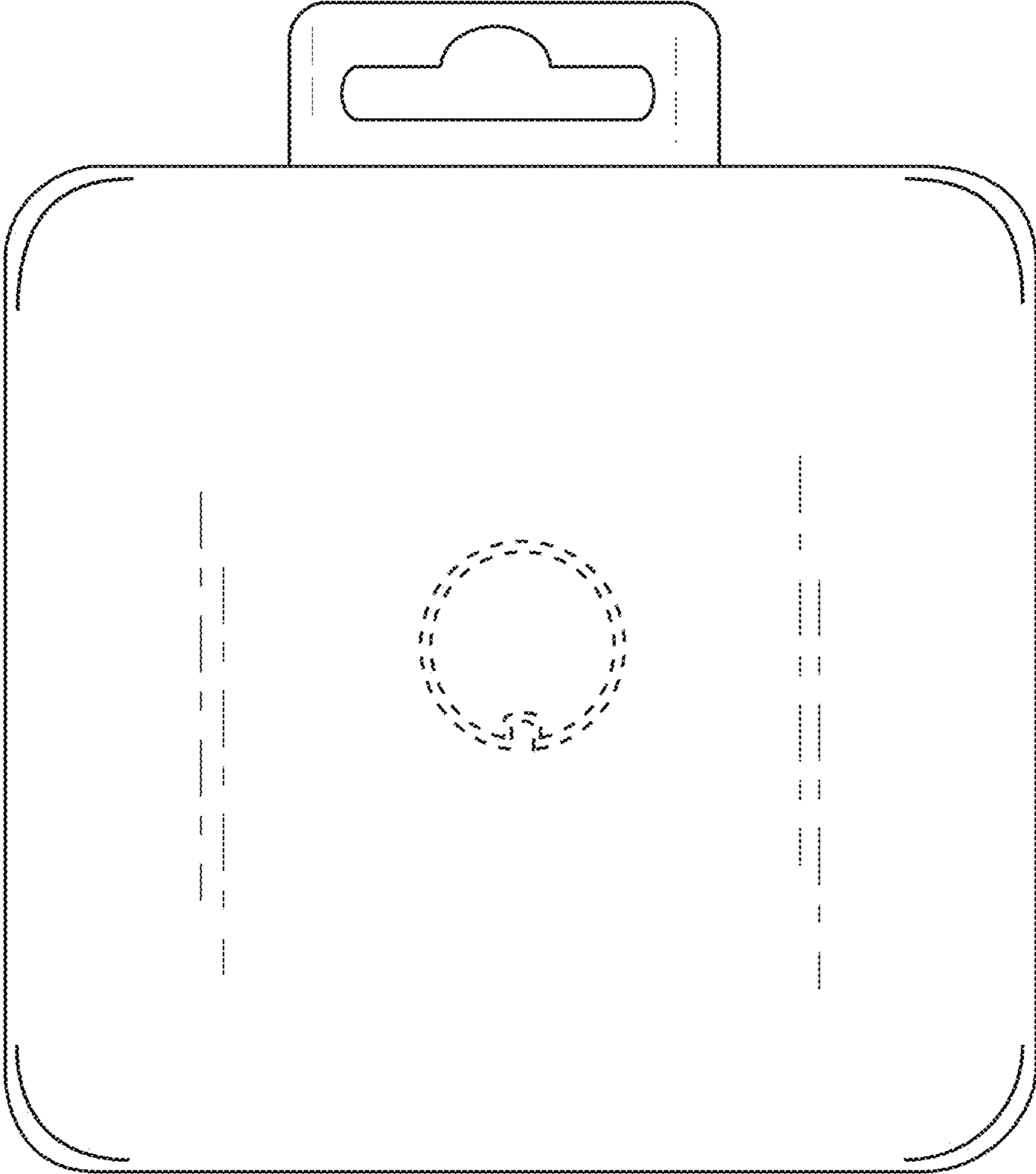


FIG. 6

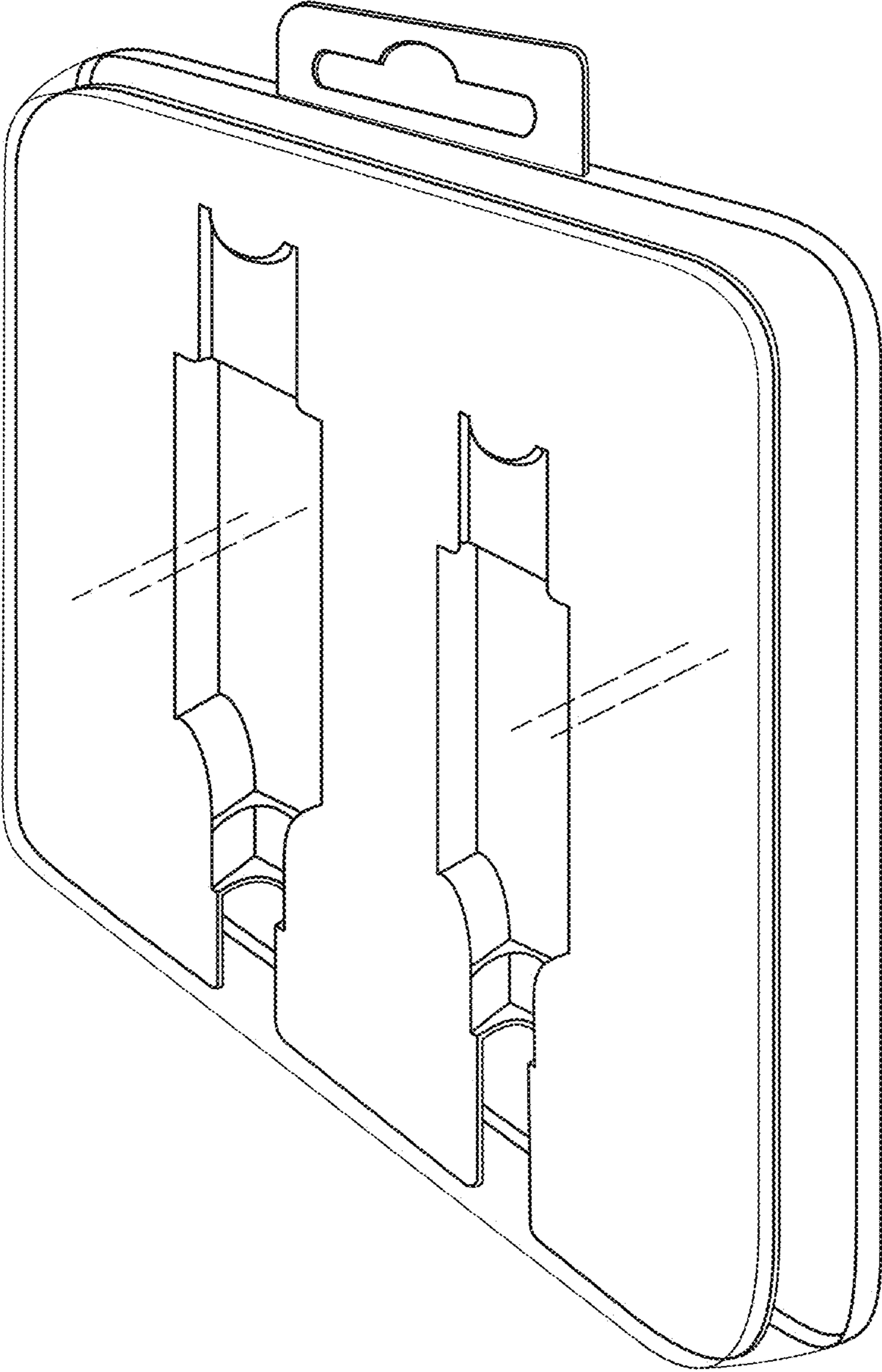


FIG. 7