



US00D974164S

(12) **United States Design Patent** (10) **Patent No.:** **US D974,164 S**  
**Horan** (45) **Date of Patent:** **\*\* Jan. 3, 2023**

(54) **PACKAGING STAND FOR FOOTWEAR**

8,915,391 B2 \* 12/2014 Radow ..... A47G 19/00  
211/144

(71) Applicant: **Matthew Horan**, Bristol (GB)

D734,100 S \* 7/2015 Miller ..... D7/610

D745,212 S \* 12/2015 Bahbah ..... D27/162

(72) Inventor: **Matthew Horan**, Bristol (GB)

D749,410 S \* 2/2016 Horan ..... D9/415

D850,859 S \* 6/2019 Chen ..... D7/558

(\*\*) Term: **15 Years**

D878,120 S \* 3/2020 Smith ..... D6/682.1

11,230,419 B2 \* 1/2022 Tilahun ..... G06Q 30/0241

(21) Appl. No.: **29/752,026**

2003/0192840 A1 \* 10/2003 Hoyle ..... A47F 7/02

2010/0105818 A1 \* 4/2010 Meyer ..... 211/85.2

(22) Filed: **Sep. 24, 2020**

2010/0105818 A1 \* 4/2010 Meyer ..... C09J 11/04

524/267

(51) **LOC (14) Cl.** ..... **09-03**

\* cited by examiner

(52) **U.S. Cl.**

*Primary Examiner* — Rhea Shields

USPC ..... **D9/415**

(74) *Attorney, Agent, or Firm* — Mitchell Law PLLC;

(58) **Field of Classification Search**

Matthew W. Mitchell

USPC ..... D9/414-418, 425, 737, 748, 732, 617;

D6/682.1, 677, 683, 680, 674, 692;

D7/610, 558; D27/162

CPC ..... B65D 73/0092; B65D 5/52; A47G 19/00;

A47F 7/02; A47F 5/04; C09J 11/04;

G06Q 30/0241; A63B 71/0045

See application file for complete search history.

(57) **CLAIM**

The ornamental design for a packaging stand for footwear, as shown and described.

**DESCRIPTION**

(56) **References Cited**

**U.S. PATENT DOCUMENTS**

3,382,970 A \* 5/1968 Sellors ..... B65D 73/0092  
206/45.24

4,015,719 A \* 4/1977 Hanopole ..... A47F 5/04  
211/133.4

D295,703 S \* 5/1988 Astrup ..... D9/617

D324,140 S \* 2/1992 Kuntz ..... D6/680

D342,843 S \* 1/1994 Kuntz ..... D6/677

D397,887 S \* 9/1998 Hawkersmith ..... D6/674

D426,403 S \* 6/2000 Chumley ..... D6/683.1

6,637,594 B1 \* 10/2003 Bucknell ..... B65D 5/52  
206/425

6,884,185 B2 \* 4/2005 Udwin ..... A63B 71/0045  
473/422

7,793,793 B1 \* 9/2010 Sykes ..... A47F 7/02  
211/85.2

D663,969 S \* 7/2012 Hundley ..... D6/692.3

FIG. 1 is a front perspective view of the packaging stand for footwear of the present invention;

FIG. 2 is a front view thereof;

FIG. 3 is a rear view thereof;

FIG. 4 is a top plan view thereof;

FIG. 5 is a bottom plan view thereof;

FIG. 6 is a left-side view thereof;

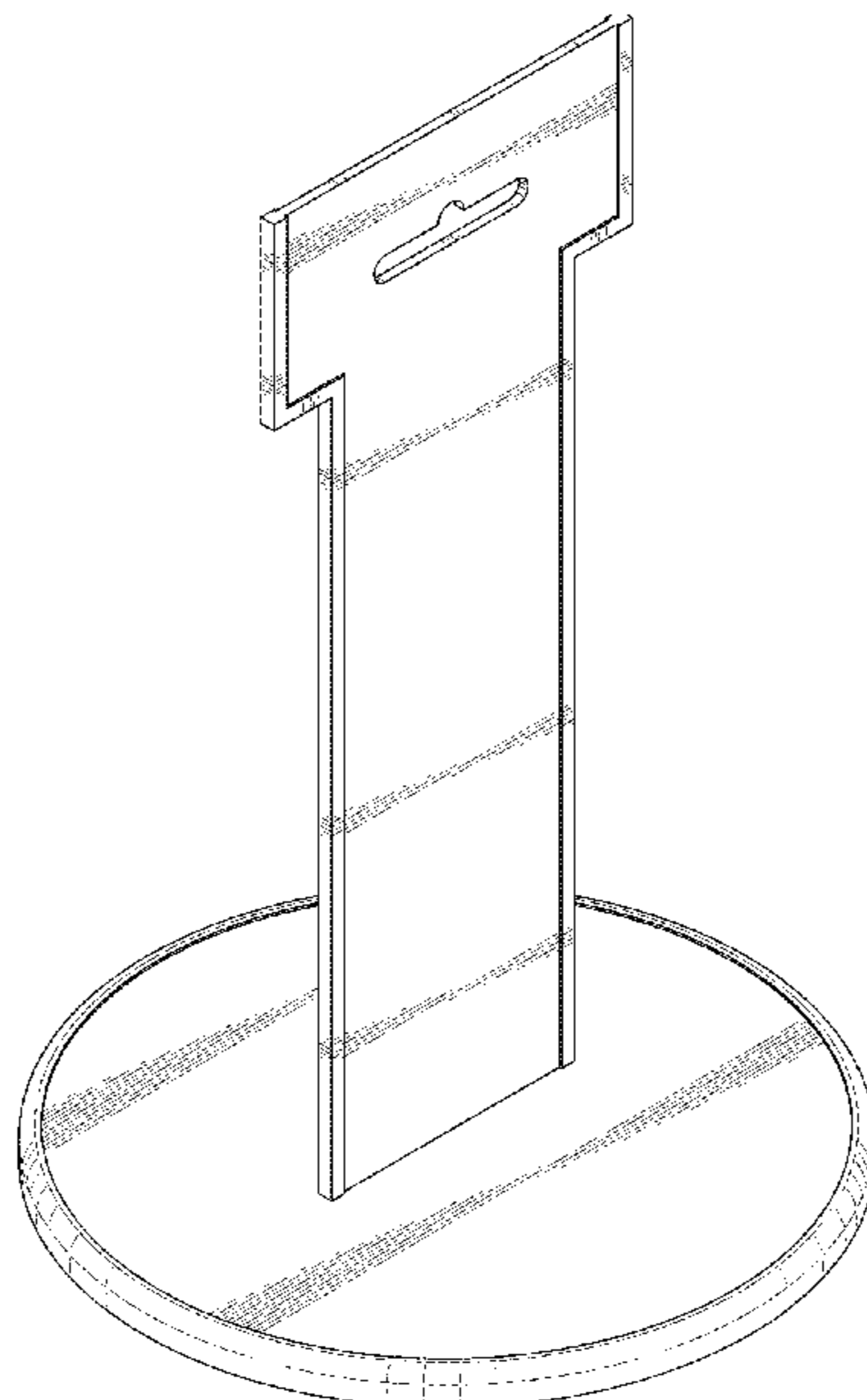
FIG. 7 is a right-side view thereof;

FIG. 8 is a front view thereof, showing an exemplary footwear package; and,

FIG. 9 is a left-side view thereof, showing the exemplary footwear package.

In FIGS. 8 and 9, the broken lines are for the purpose of illustrating environment only which forms no part of the claimed design.

**1 Claim, 9 Drawing Sheets**



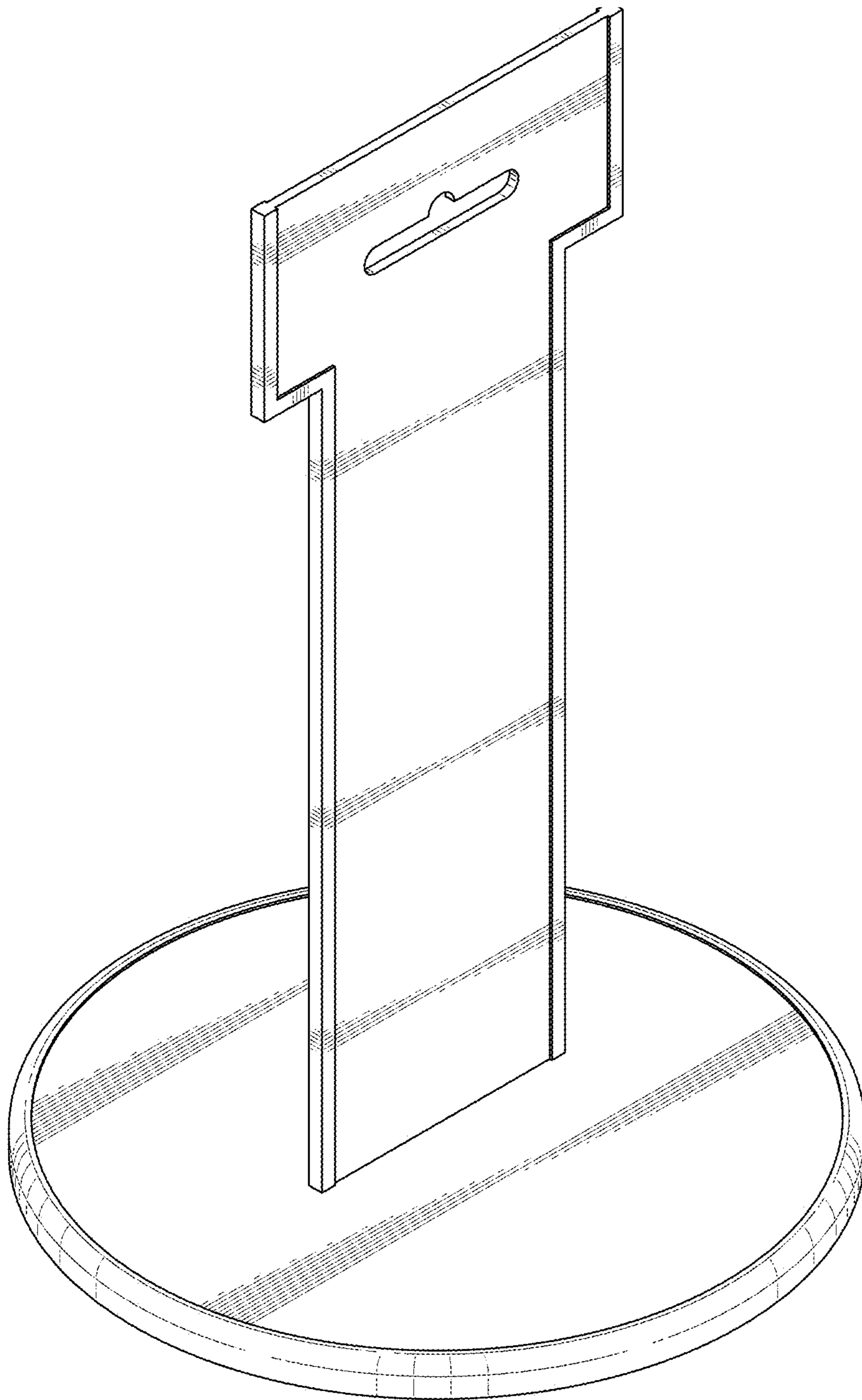


FIG. 1

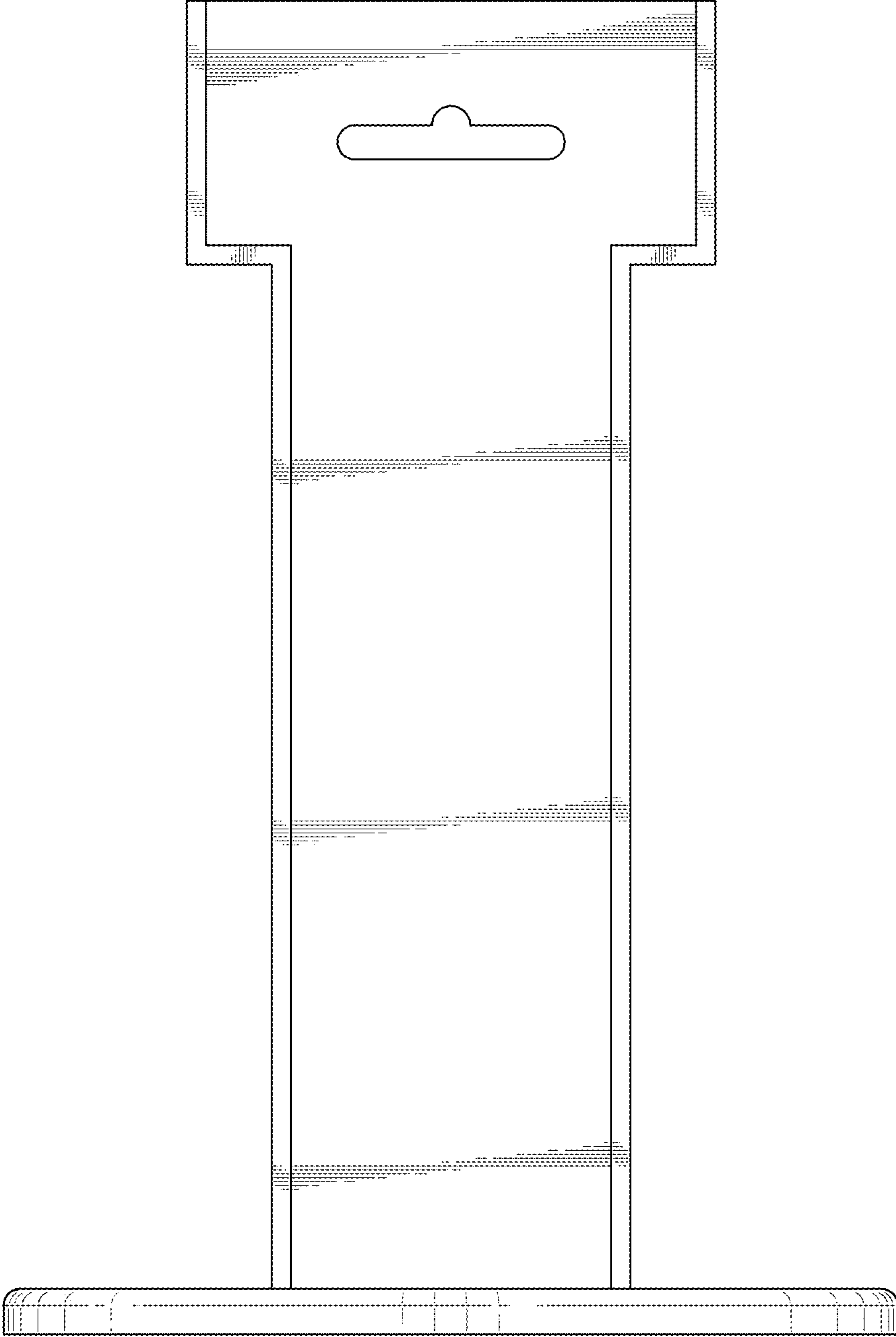


FIG. 2

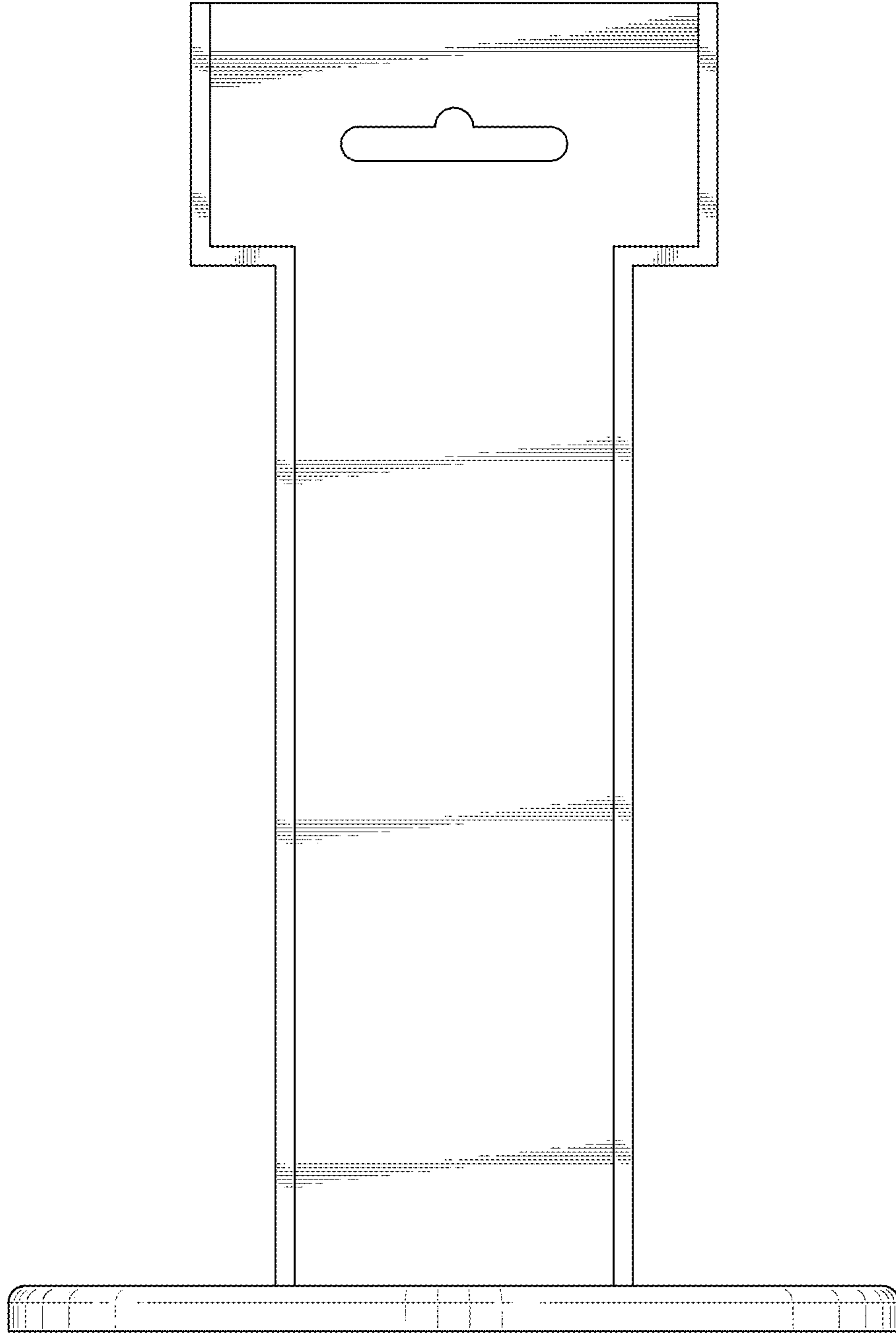


FIG. 3

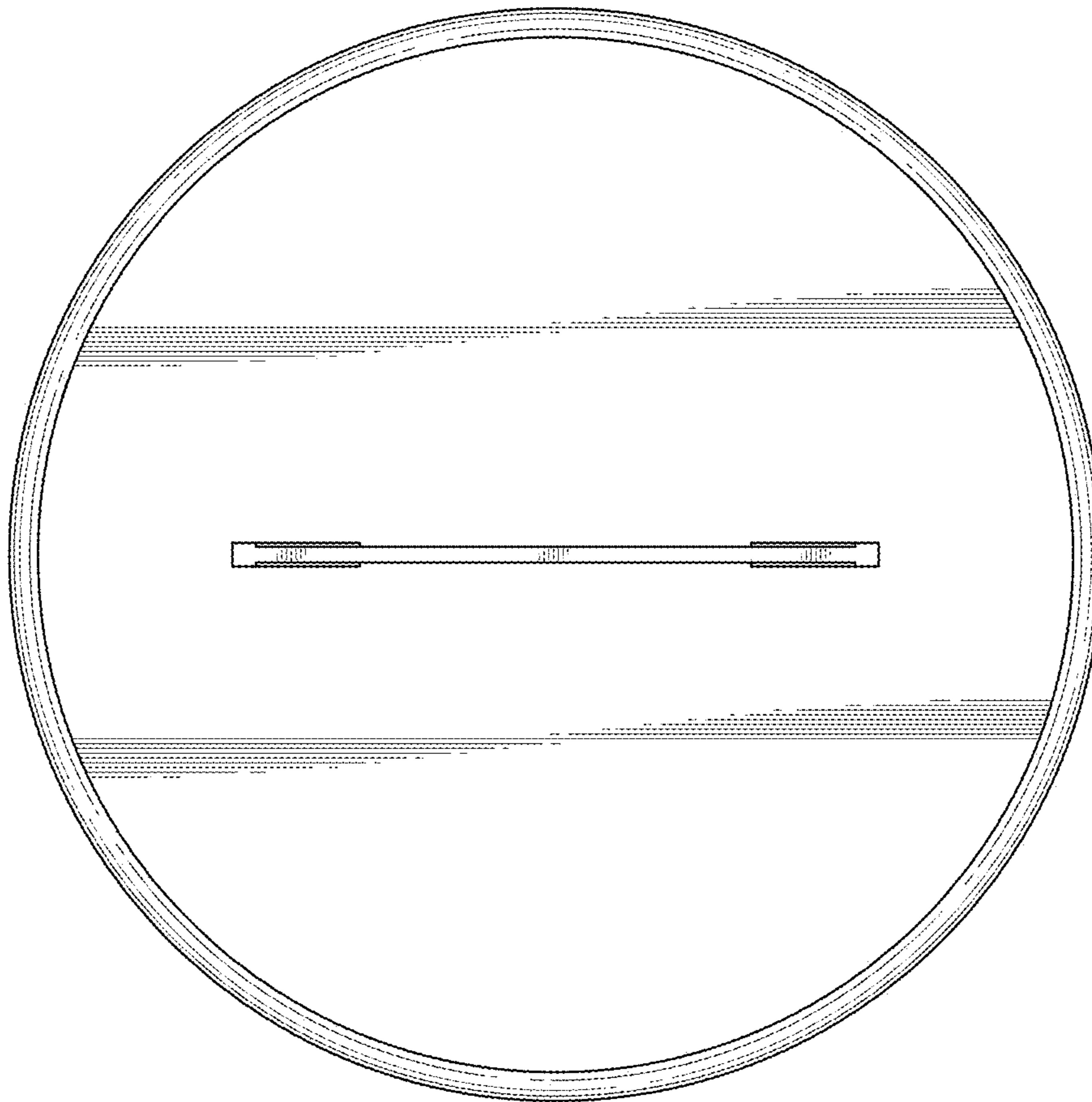


FIG. 4

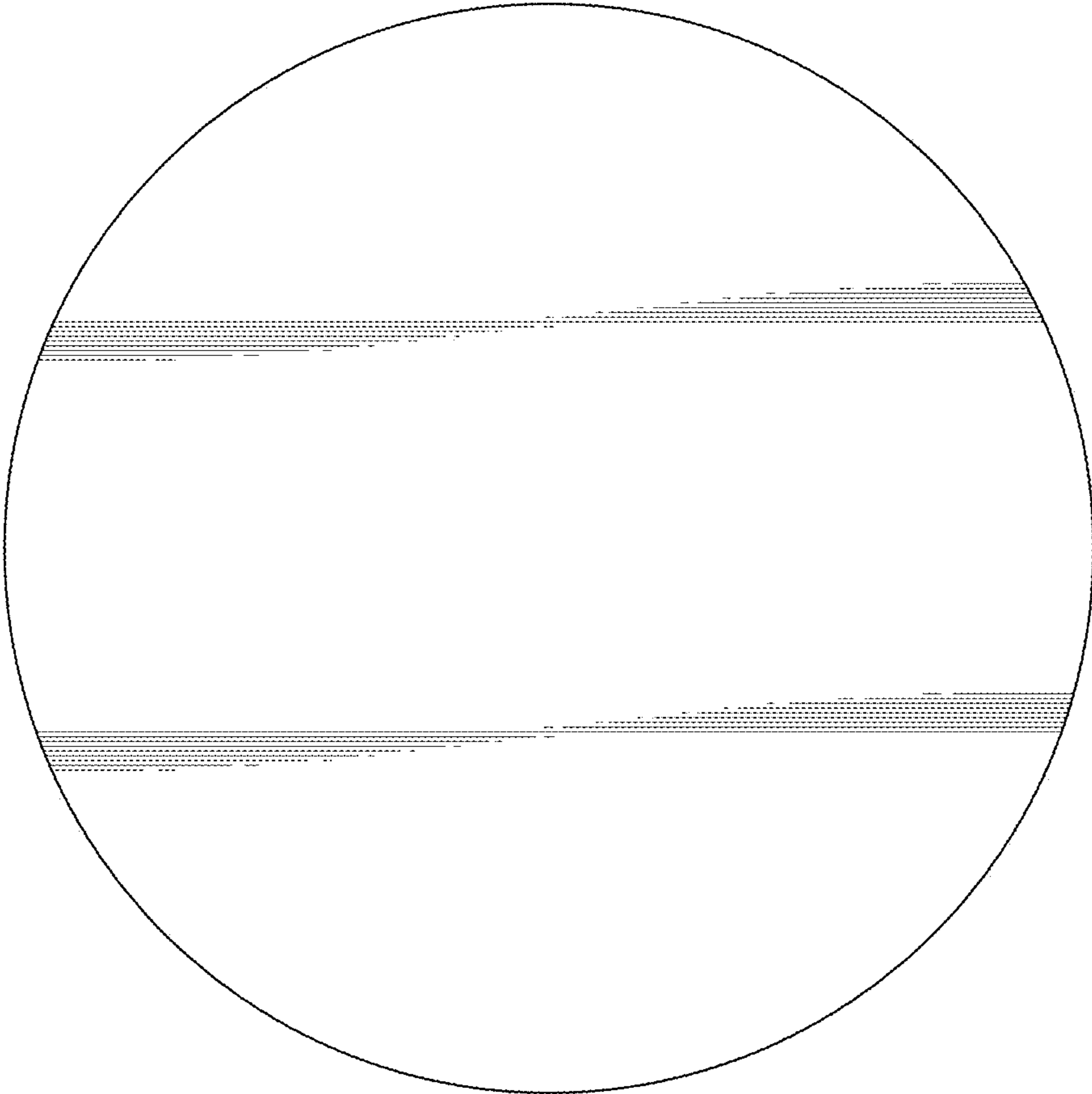


FIG. 5

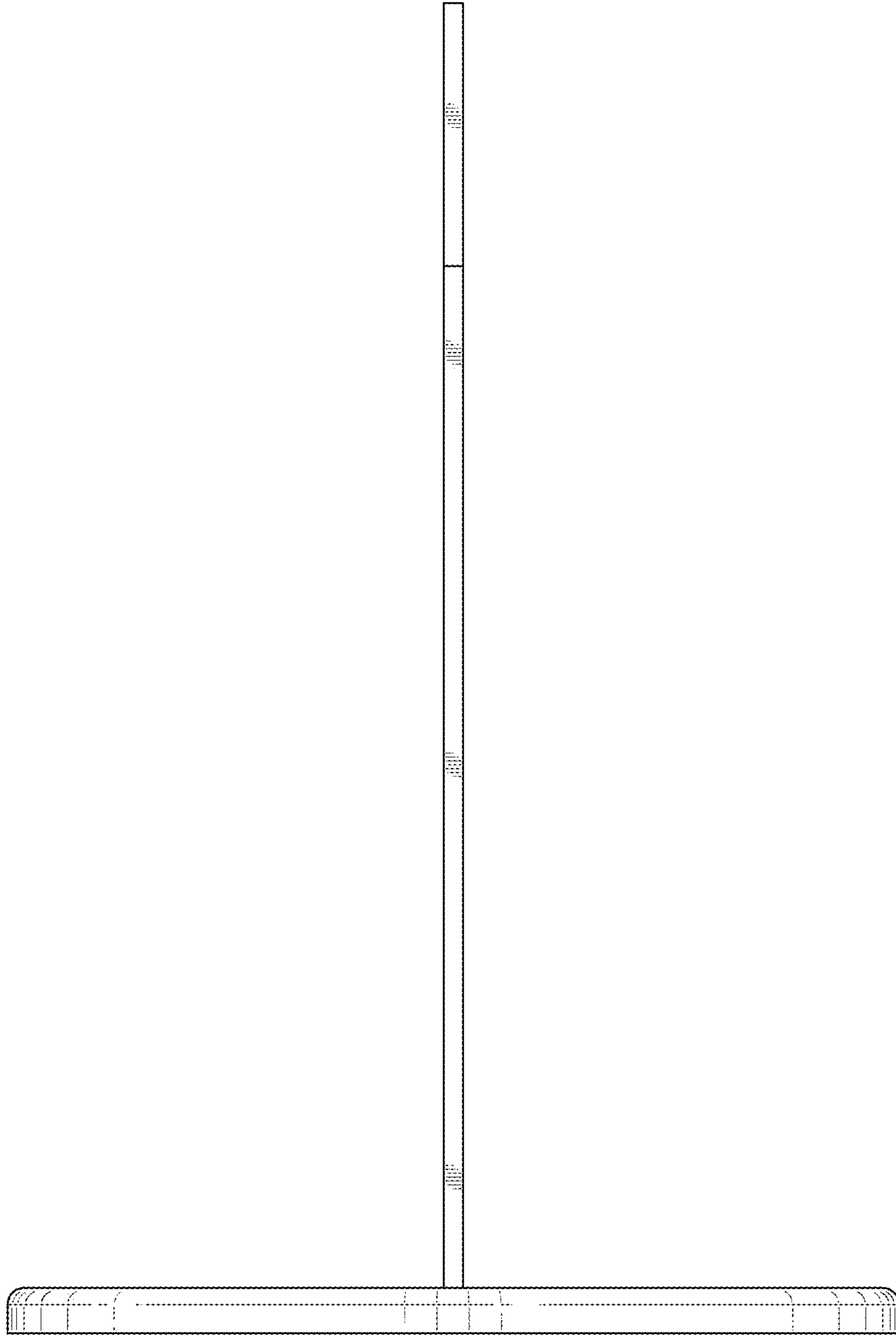


FIG. 6



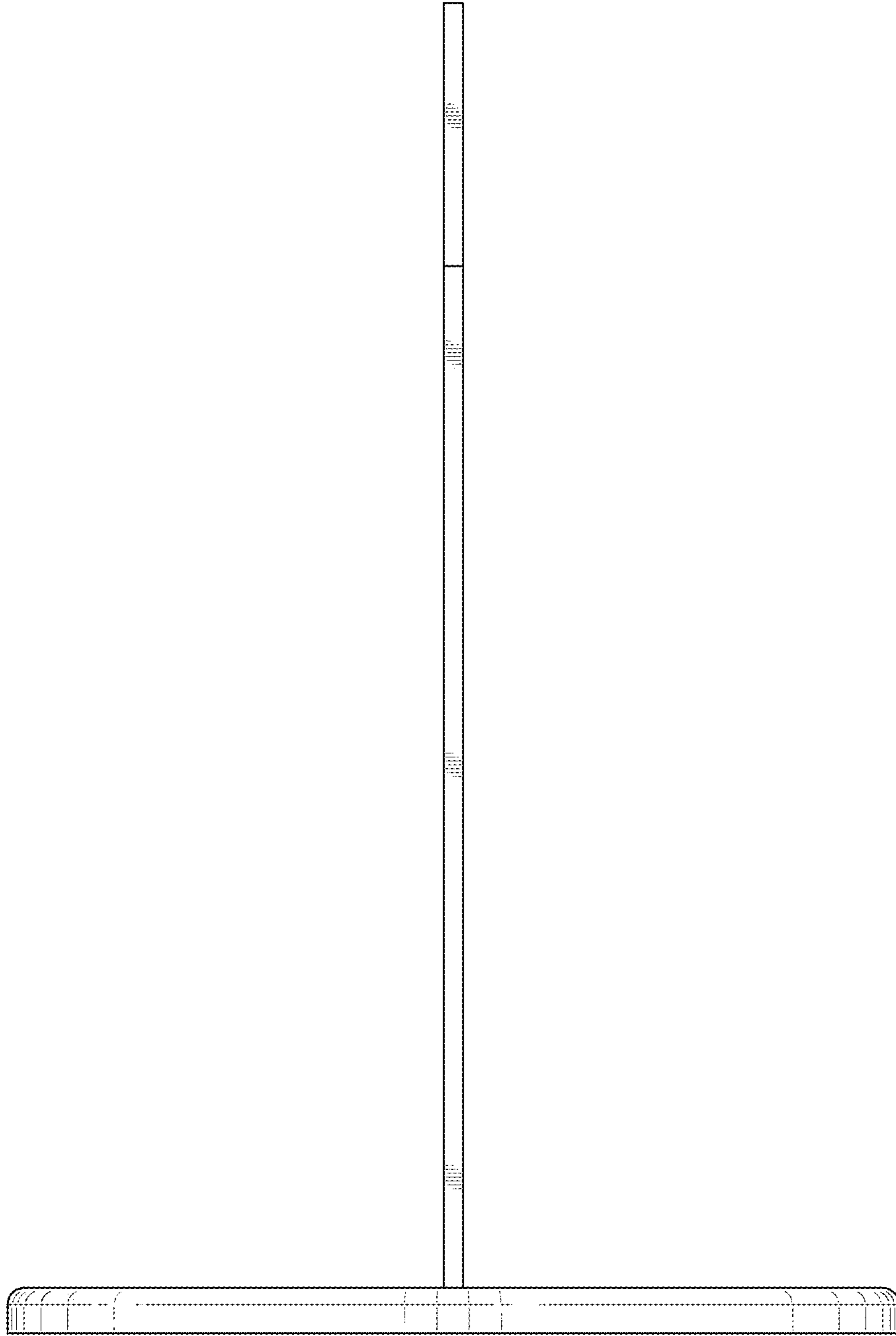


FIG. 7



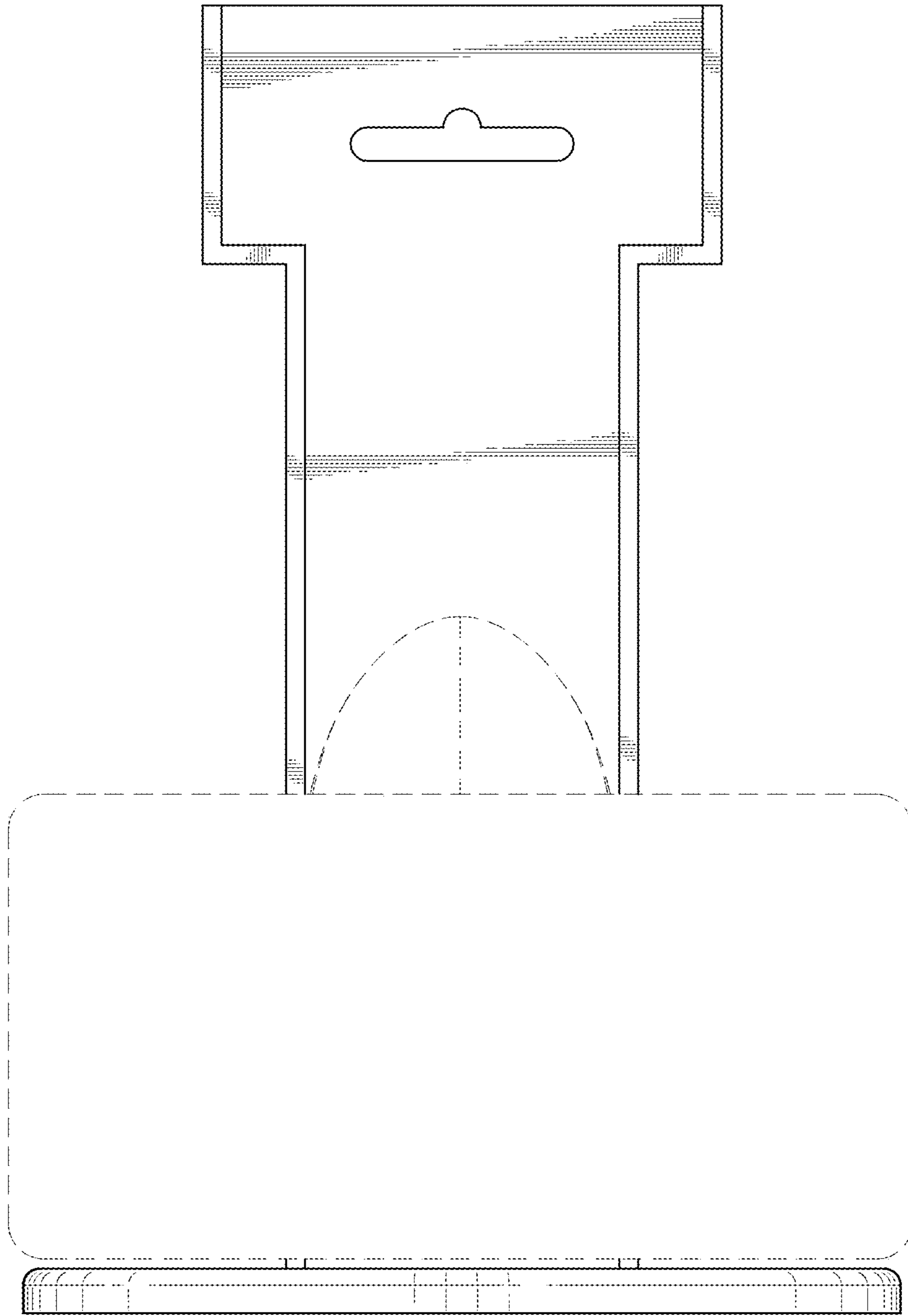


FIG. 8

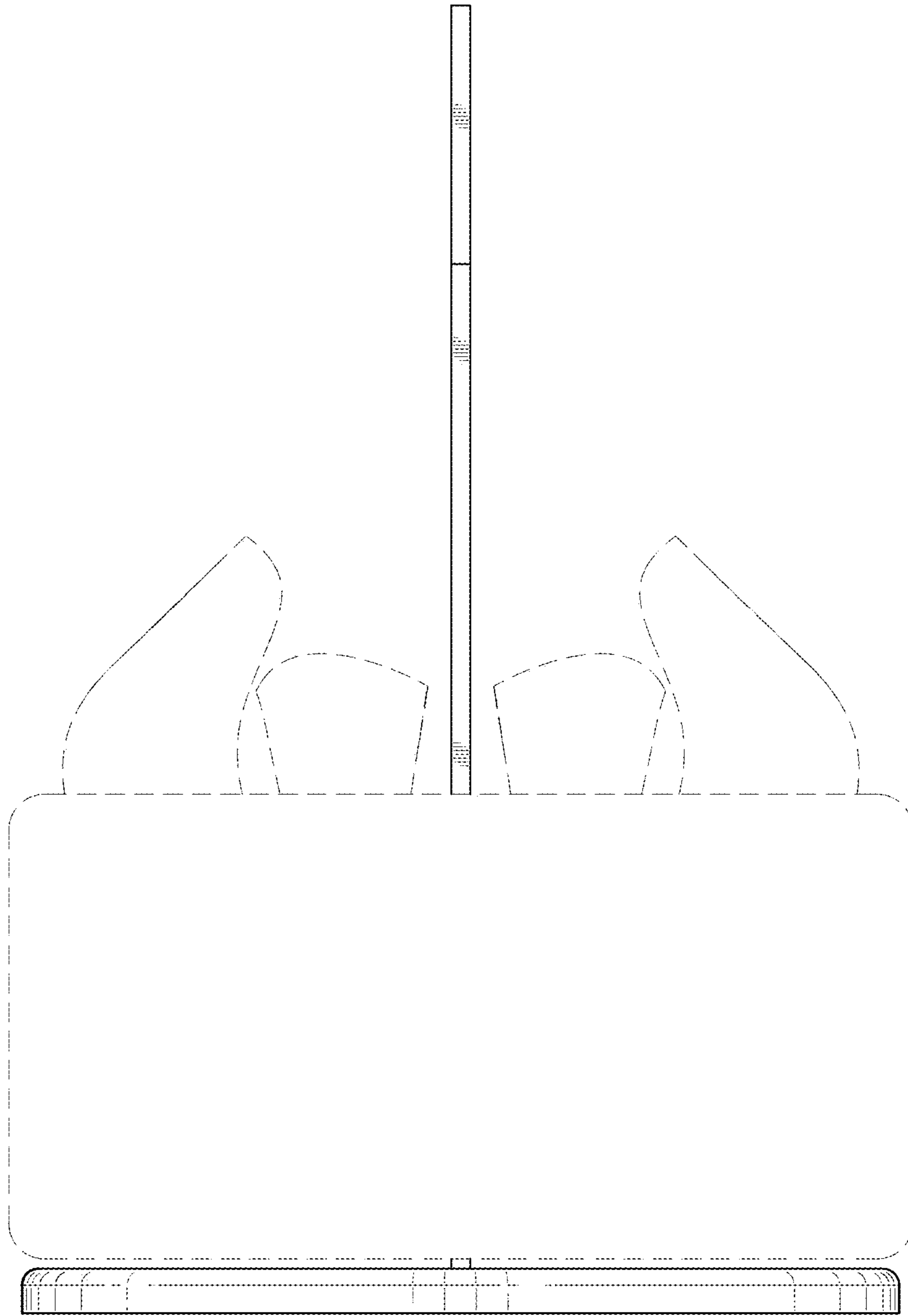


FIG. 9