

US00D974157S

(12) **United States Design Patent**
Zhang

(10) **Patent No.:** **US D974,157 S**
(45) **Date of Patent:** **** Jan. 3, 2023**

- (54) **CURTAIN ROD BRACKET**
- (71) Applicant: **Guangzhou Xuedan Trading Co., Ltd.**, Guangzhou (CN)
- (72) Inventor: **Xuebing Zhang**, Guangzhou (CN)
- (73) Assignee: **Guangzhou Xuedan Trading Co., Ltd.**, Guangzhou (CN)
- (**) Term: **15 Years**
- (21) Appl. No.: **29/852,362**
- (22) Filed: **Sep. 6, 2022**
- (51) **LOC (14) Cl.** **08-03**
- (52) **U.S. Cl.**
USPC **D8/376**
- (58) **Field of Classification Search**
USPC D8/354, 16–17, 19, 37, 47, 71, 89, 101,
D8/363, 373, 376–377, 390–391, 404,
D8/512, 524, 528, 534, 67; D6/512, 524,
D6/528, 534, 67; D25/119, 122, 123;
D12/190, 195, 678, 679, 701, 808, 803
See application file for complete search history.

- D548,577 S * 8/2007 Shiftier D8/376
- D602,770 S * 10/2009 Fernandez D8/376
- D657,233 S * 4/2012 Penney D8/376
- D859,963 S 9/2019 Hanley
- D962,043 S * 8/2022 Wu D8/356
- D962,044 S * 8/2022 Blair D8/356

* cited by examiner

Primary Examiner — Khawaja Anwar

(74) *Attorney, Agent, or Firm* — Nitin Kaushik

(57) **CLAIM**

The ornamental design for a curtain rod bracket, as shown and described.

DESCRIPTION

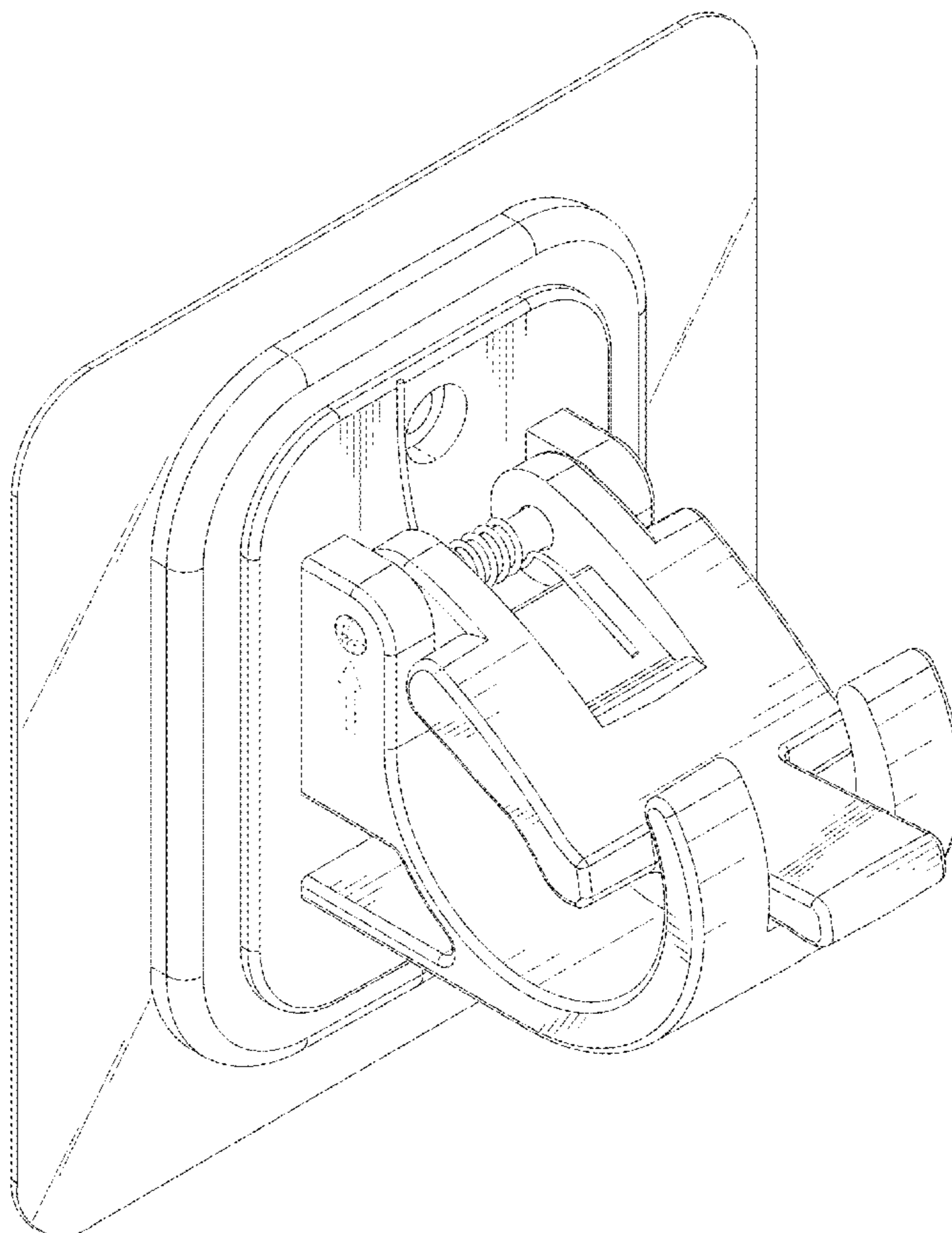
FIG. 1 is a top perspective view of a curtain rod bracket, showing my new design;
 FIG. 2 is a bottom perspective view thereof;
 FIG. 3 is a front view thereof;
 FIG. 4 is a rear view thereof;
 FIG. 5 is a left side view thereof;
 FIG. 6 is a right side view thereof;
 FIG. 7 is a top view thereof; and,
 FIG. 8 is a bottom view thereof.
 The broken lines in the drawings illustrate the portions of the curtain rod bracket, which form no part of the claimed design.

(56) **References Cited**

U.S. PATENT DOCUMENTS

- D358,982 S * 6/1995 Bosgoed D8/376
- D468,623 S * 1/2003 Ohm D8/367

1 Claim, 8 Drawing Sheets



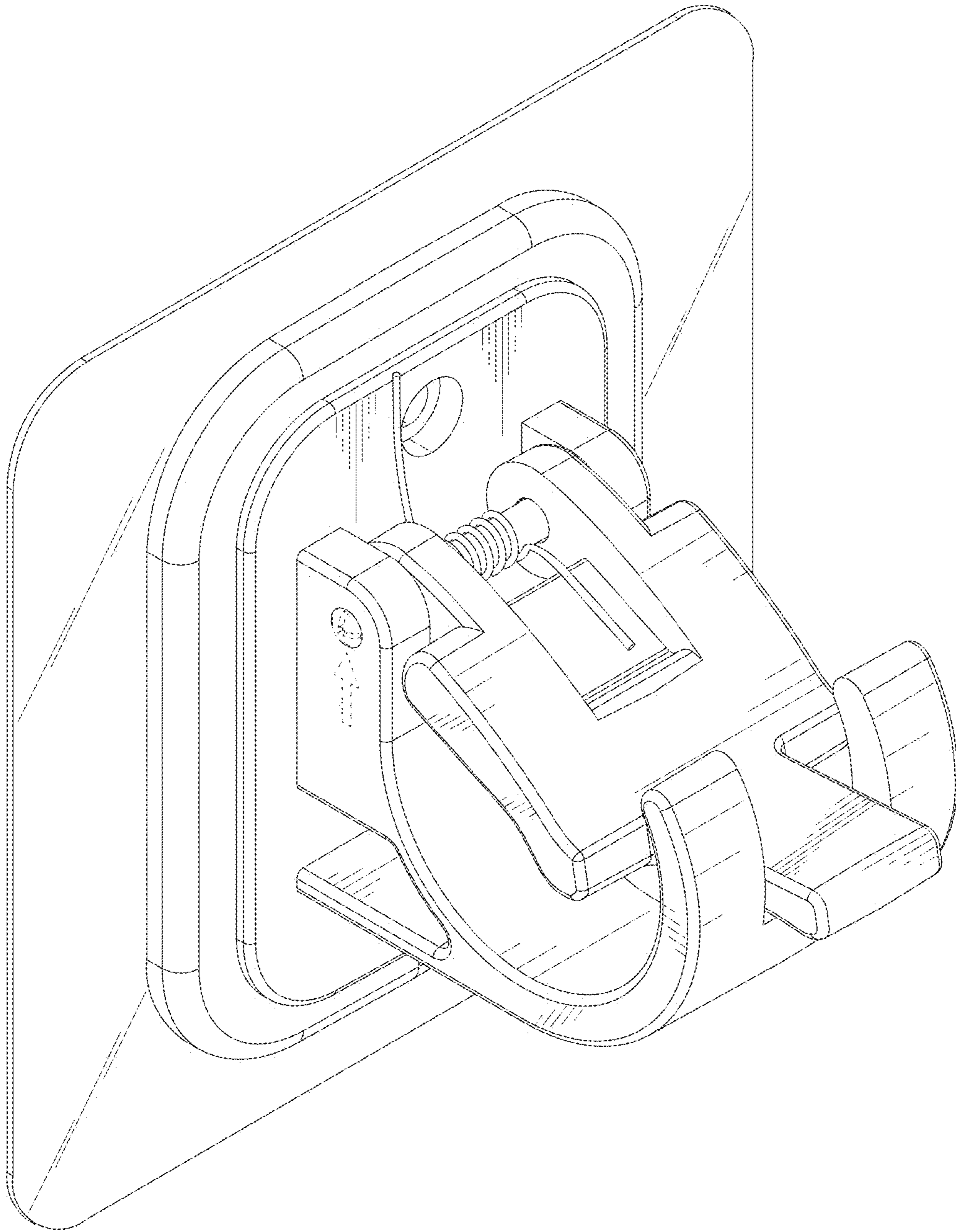


FIG. 1

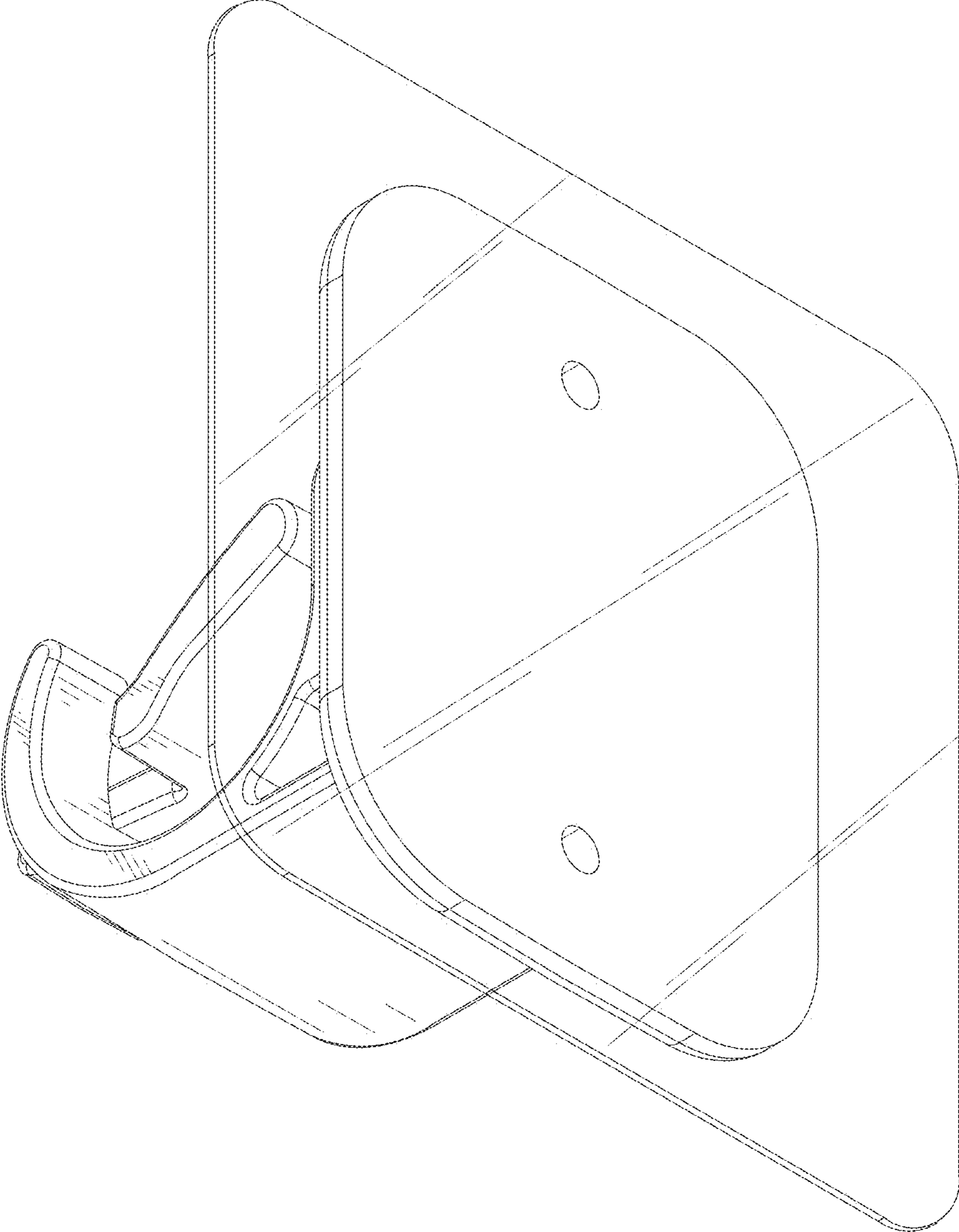


FIG. 2

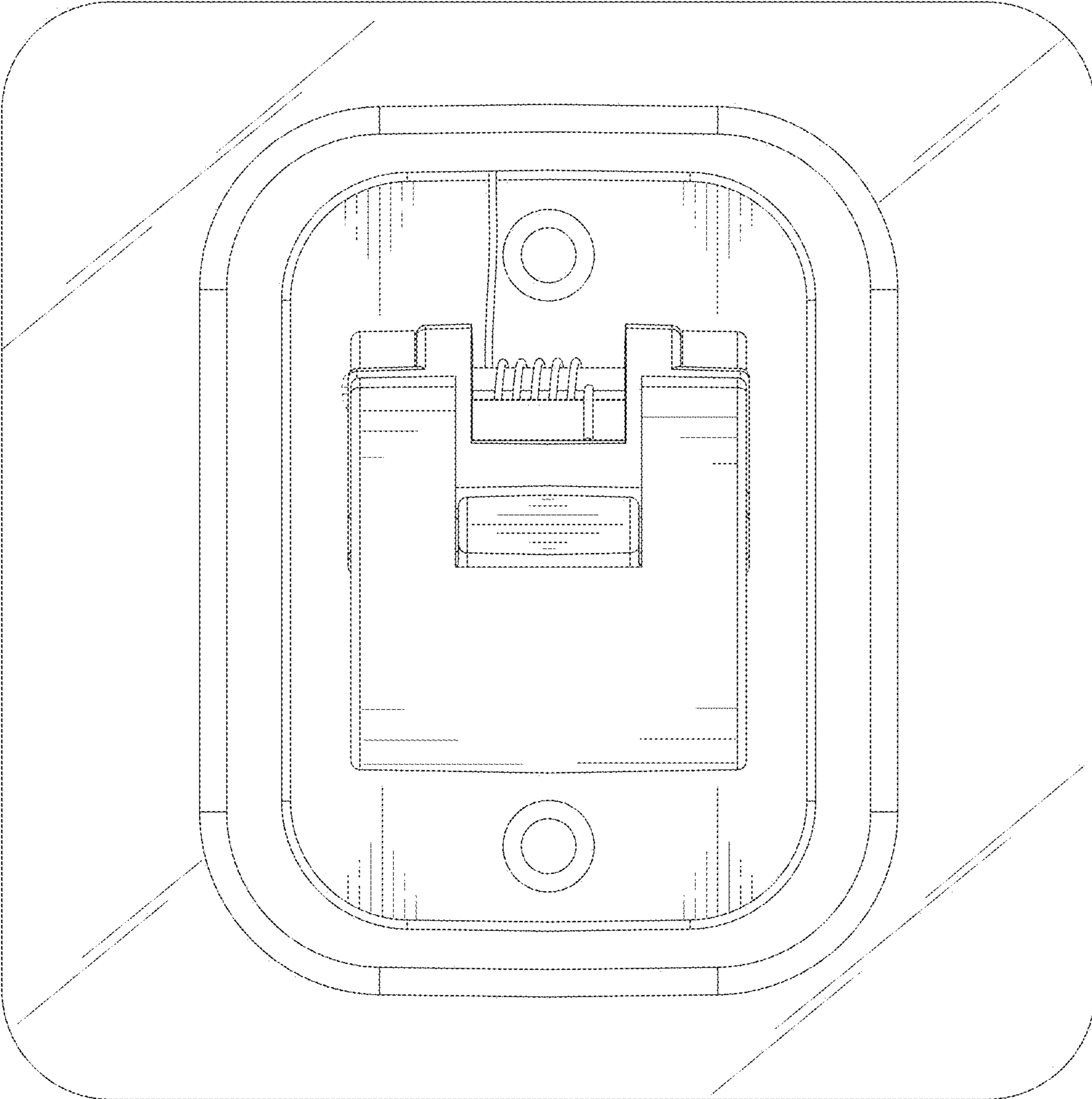


FIG. 3

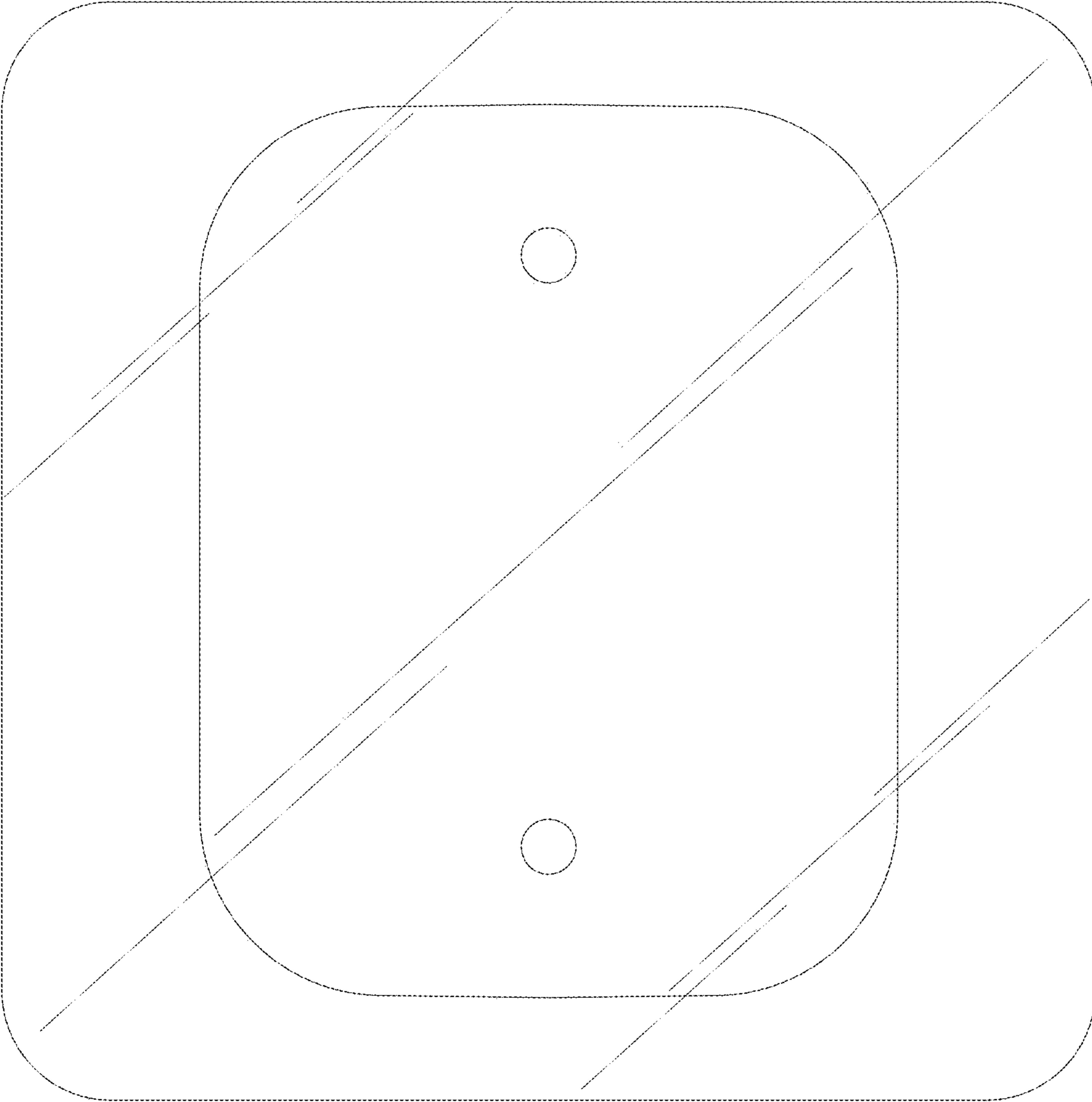


FIG. 4

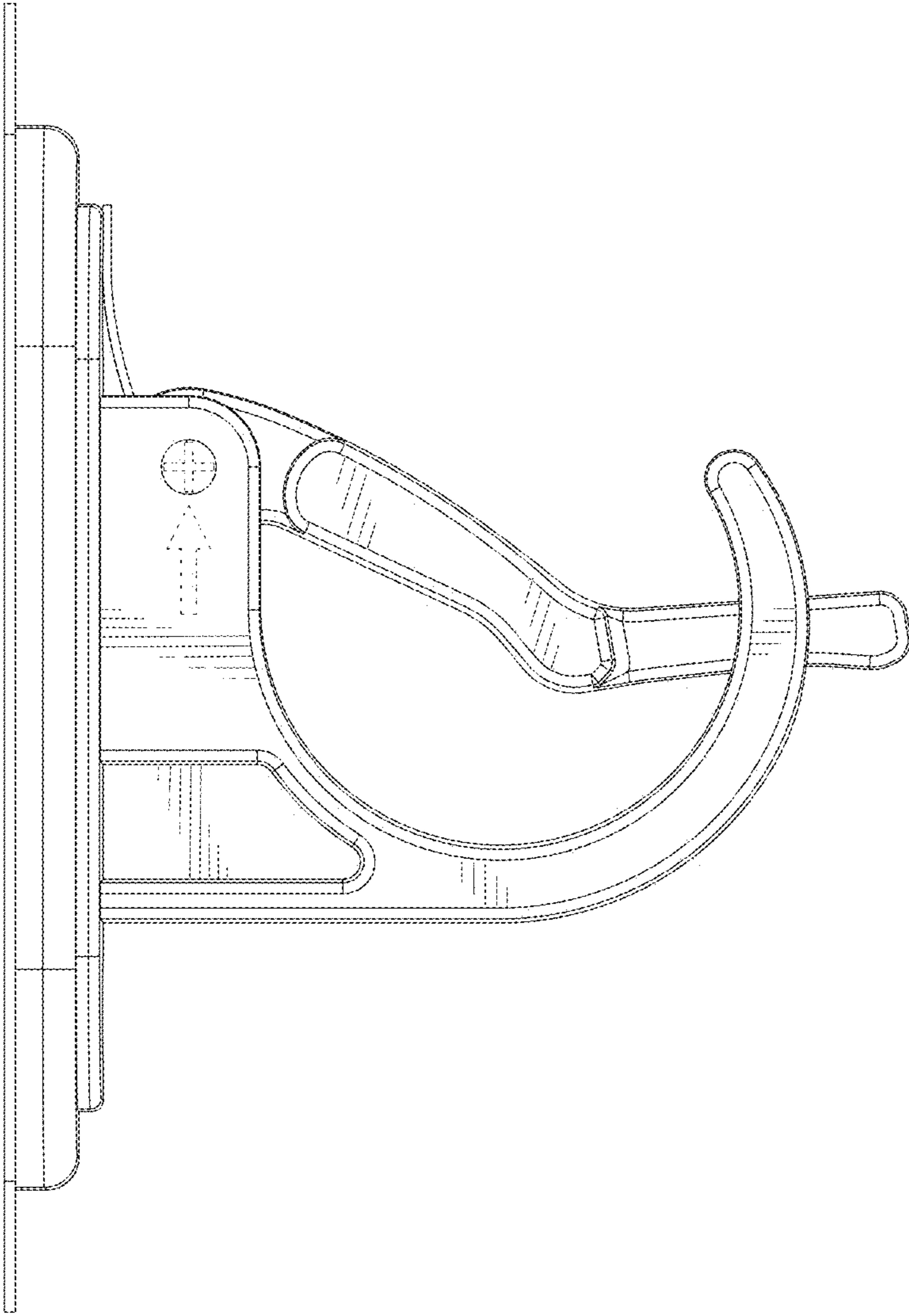


FIG. 5

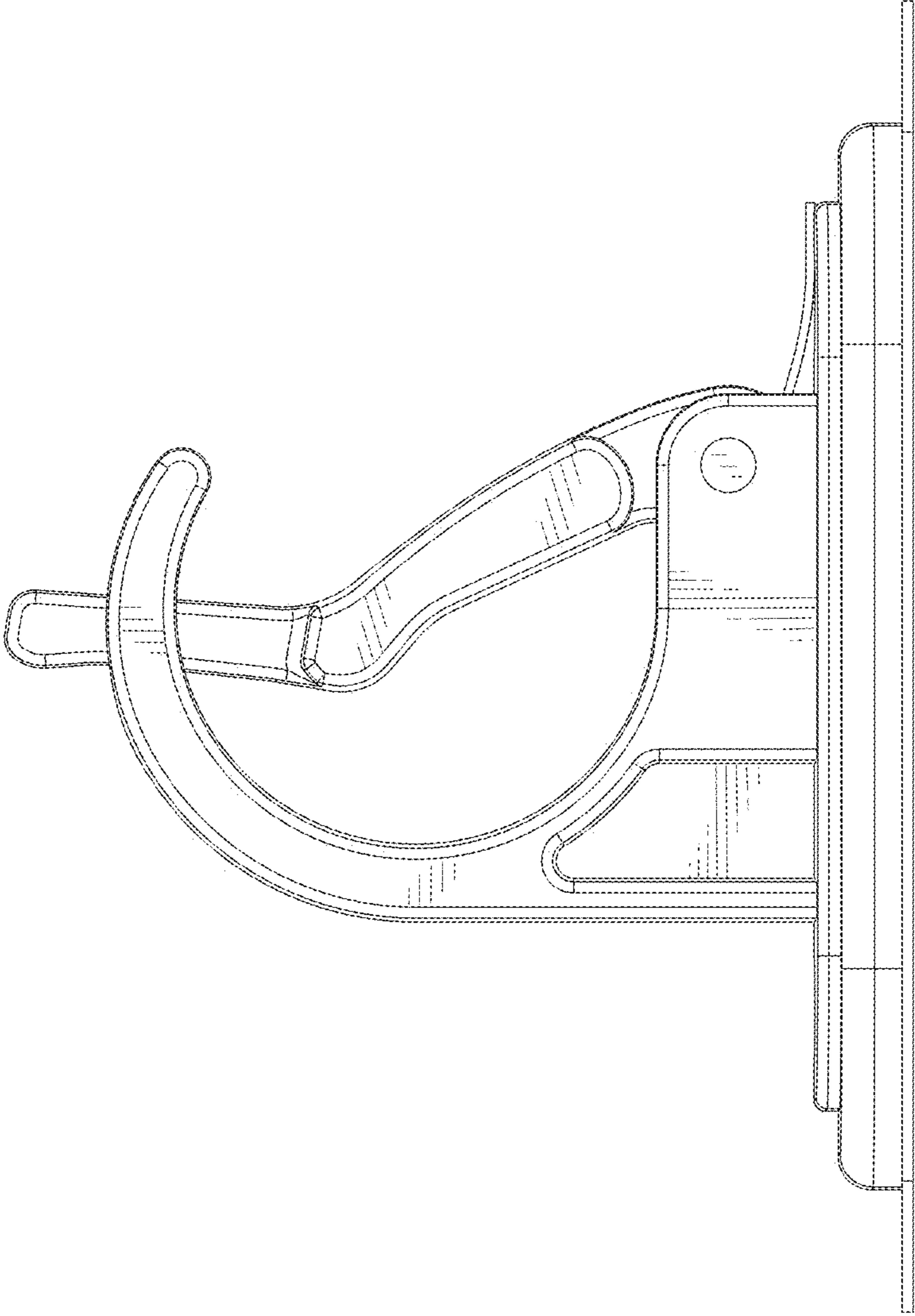


FIG. 6

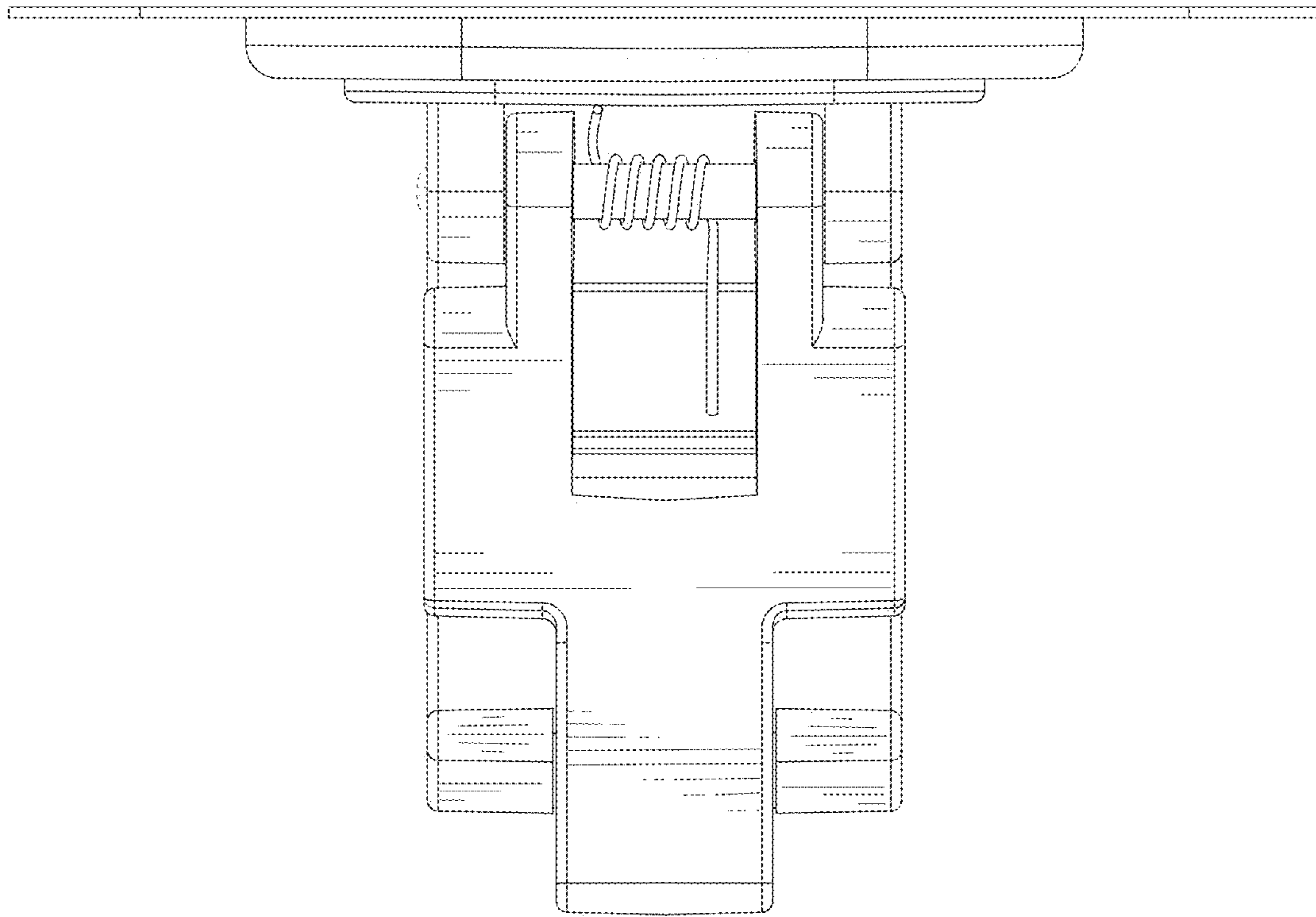


FIG. 7

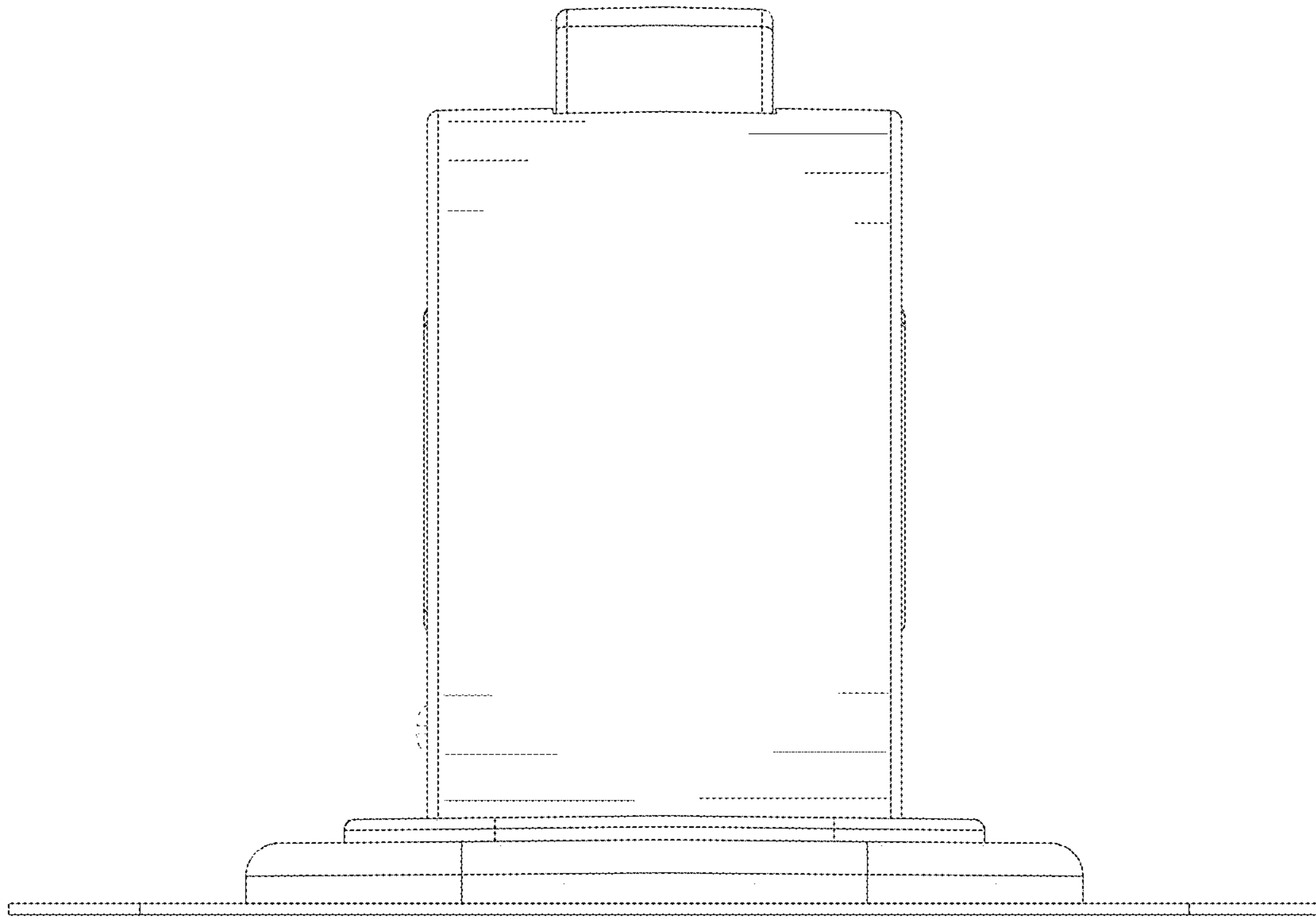


FIG. 8