

US00D974156S

(12) **United States Design Patent**
Lu

(10) **Patent No.:** **US D974,156 S**
(45) **Date of Patent:** **** Jan. 3, 2023**

(54) **SQUARE CHAIR LEG SOCK**
(71) Applicant: **Heng Lu**, Guangdong Province (CN)
(72) Inventor: **Heng Lu**, Guangdong Province (CN)
(**) Term: **15 Years**
(21) Appl. No.: **29/769,826**
(22) Filed: **Feb. 8, 2021**
(51) **LOC (14) Cl.** **08-11**
(52) **U.S. Cl.**
USPC **D8/374**
(58) **Field of Classification Search**
USPC D6/610, 710, 718; D8/315, 321–322,
D8/373–375
CPC A47B 91/12; A47C 7/002; Y10T 16/216
See application file for complete search history.

D195,629 S * 7/1963 Borah D8/382
3,199,819 A * 8/1965 Widmark A47B 91/06
135/77
3,467,117 A * 9/1969 Lucibello A47B 91/12
135/84
D348,985 S * 7/1994 Walker D8/374
D400,088 S * 10/1998 Hurrie D8/374
D468,064 S * 12/2002 Pardo D30/130
D487,392 S * 3/2004 Chase D8/374
D513,583 S * 1/2006 Chase D8/374
D605,935 S * 12/2009 Zeyfang D8/402
D617,631 S * 6/2010 Bushey D8/374
D617,894 S * 6/2010 Wright A61B 90/40
D24/121
D640,915 S * 7/2011 King D8/374
(Continued)

(56) **References Cited**

U.S. PATENT DOCUMENTS

70,490 A * 11/1867 Winchester A47B 91/04
248/188.9
D27,665 S * 9/1897 Bailey D8/374
D44,996 S * 12/1913 Buser D8/374
1,486,267 A * 3/1924 Salomon A47C 7/002
182/108
1,903,609 A * 4/1933 Uhl A47B 91/04
16/42 R
1,921,561 A * 8/1933 Christmas A47B 91/04
248/188.9
2,103,095 A * 12/1937 Schermerhorn A47B 91/04
248/188.9
D166,618 S * 4/1952 Mince D6/610
D171,580 S * 3/1954 Chapman et al. D8/374
2,744,283 A * 5/1956 Reineman A47B 91/04
248/188.9
2,840,113 A * 6/1958 Simpson A47C 7/002
29/520
2,865,133 A * 12/1958 Hoven A47B 13/06
248/188.9

OTHER PUBLICATIONS

“Black Ezprotekt Round Silicone Chair Leg Floor Protectors with Felt Pads Surrounding”, Dec. 21, 2020, Amazon.com, site visited May 6, 2022: <https://www.amazon.com/dp/B08R3JHF54> (Year: 2020).*
(Continued)

Primary Examiner — Jack Reickel
Assistant Examiner — Michael A Kervin

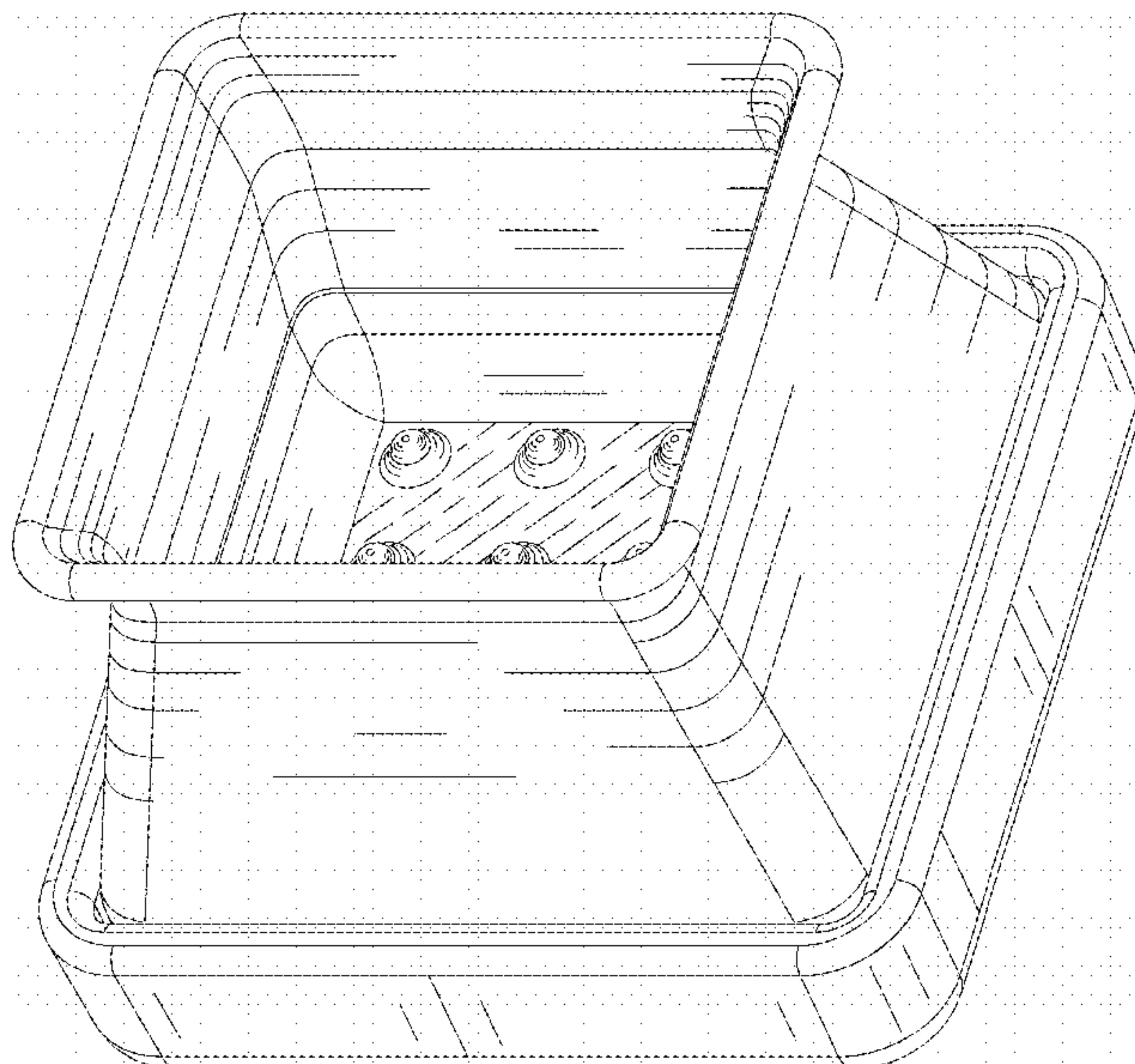
(57) **CLAIM**

The ornamental design for a square chair leg sock, as shown and described.

DESCRIPTION

FIG. 1 is a front elevational view of a square chair leg sock showing my design;
FIG. 2 is a rear elevational view thereof;
FIG. 3 is a left side elevational view thereof;
FIG. 4 is a right side elevational view thereof;
FIG. 5 is a bottom plan view thereof;
FIG. 6 is a top plan view thereof; and,
FIG. 7 is a perspective view thereof.

1 Claim, 7 Drawing Sheets



(56)

References Cited

U.S. PATENT DOCUMENTS

D652,712	S *	1/2012	Bushey	D8/374
D682,078	S *	5/2013	Chase	D8/374
D793,211	S *	8/2017	Exley	D8/374
D864,701	S *	10/2019	Huang	D8/376
10,959,559	B2 *	3/2021	Moss	A47H 1/102
D931,092	S *	9/2021	Tu	D8/374
2005/0115022	A1 *	6/2005	Desmarais	A47B 91/066 16/42 R
2008/0209686	A1 *	9/2008	Lang	A47B 91/06 16/42 T
2011/0084185	A1 *	4/2011	Frankel	A47B 91/04 248/188.9
2012/0068034	A1 *	3/2012	Desmarais	B60B 33/0028 156/86
2014/0106099	A1 *	4/2014	Desmarais	B29C 45/0005 428/36.1
2015/0216304	A1 *	8/2015	Rondina	A47B 91/04 16/30

OTHER PUBLICATIONS

“Brown Ezprotekt Square Silicone Chair Leg Floor Protectors with Felt Pads Surrounding”, Dec. 24, 2020, Amazon.com, site visited May 6, 2022: <https://www.amazon.com/dp/B08R82XG3R> (Year: 2020).*

“White Ezprotekt Round Silicone Chair Leg Floor Protectors with Felt Pads Surrounding”, Dec. 24, 2020, Amazon.com, site visited May 6, 2022: <https://www.amazon.com/dp/B08R84VZ39> (Year: 2020).*

“Black Ezprotekt Square Silicone Chair Leg Floor Protectors with Felt Pads Surrounding”, Jan. 29, 2021, Amazon.com, site visited May 6, 2022: <https://www.amazon.com/dp/B08VD7M82K> (Year: 2021).*

* cited by examiner

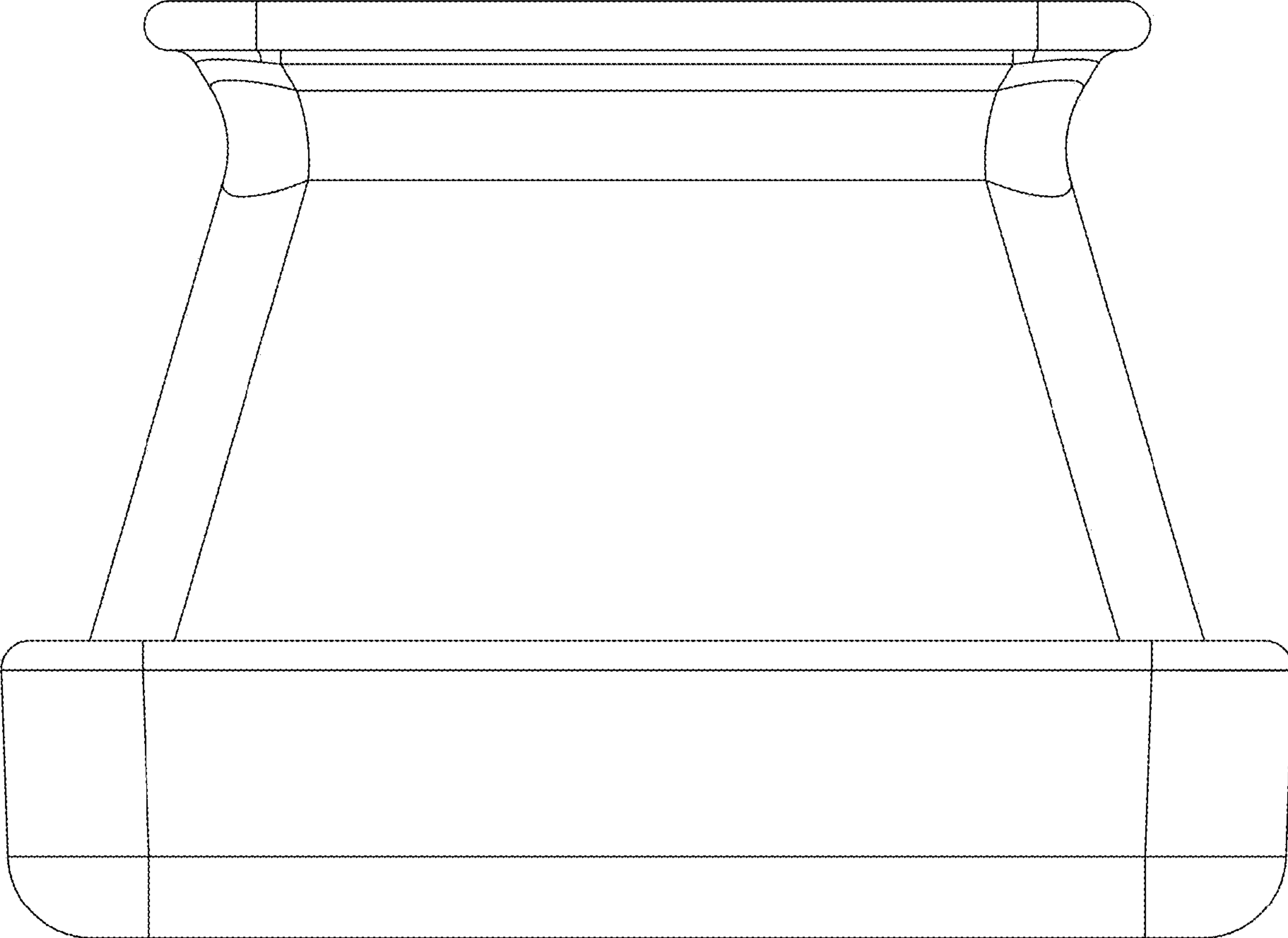


FIG. 1

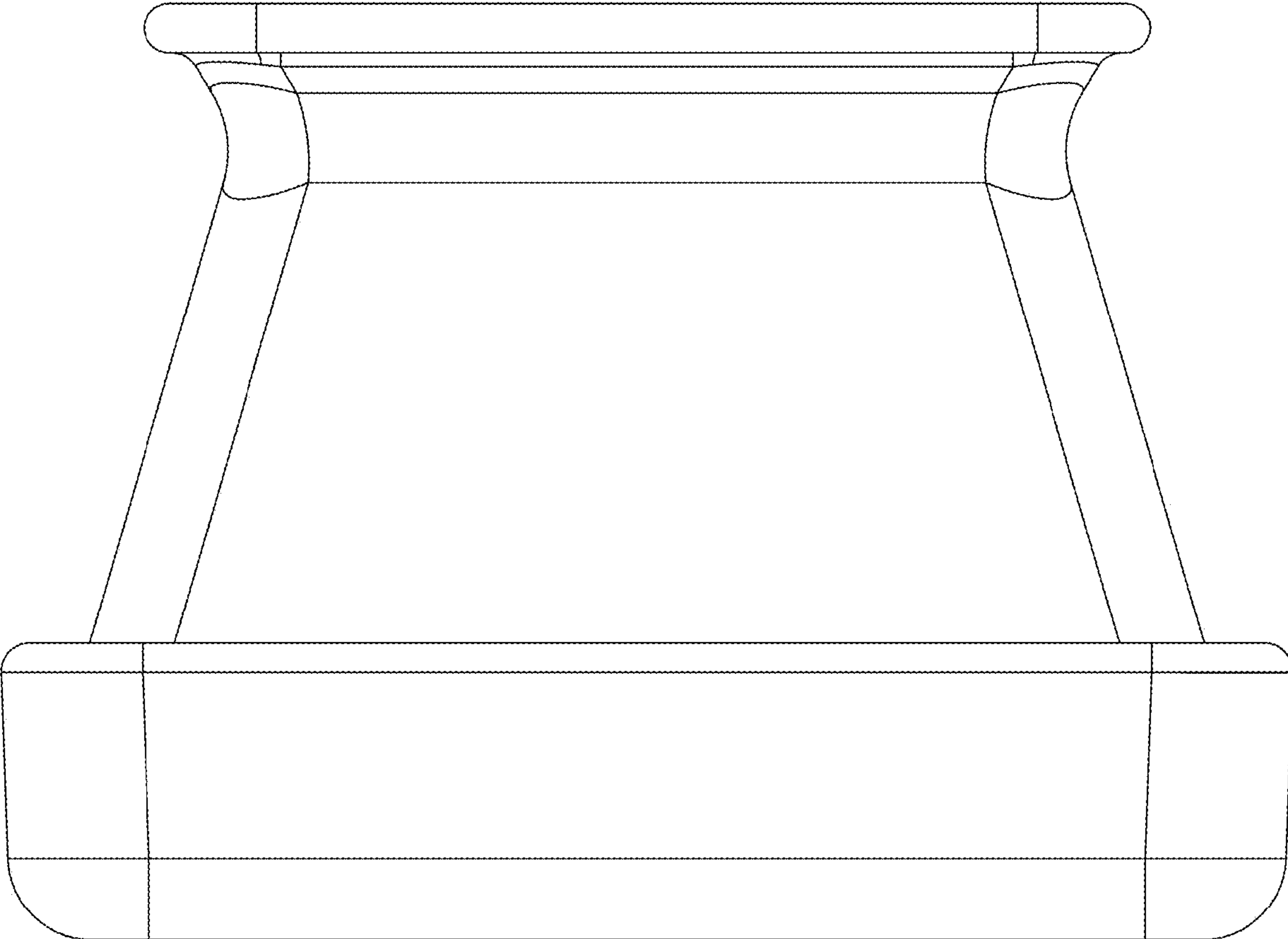


FIG. 2

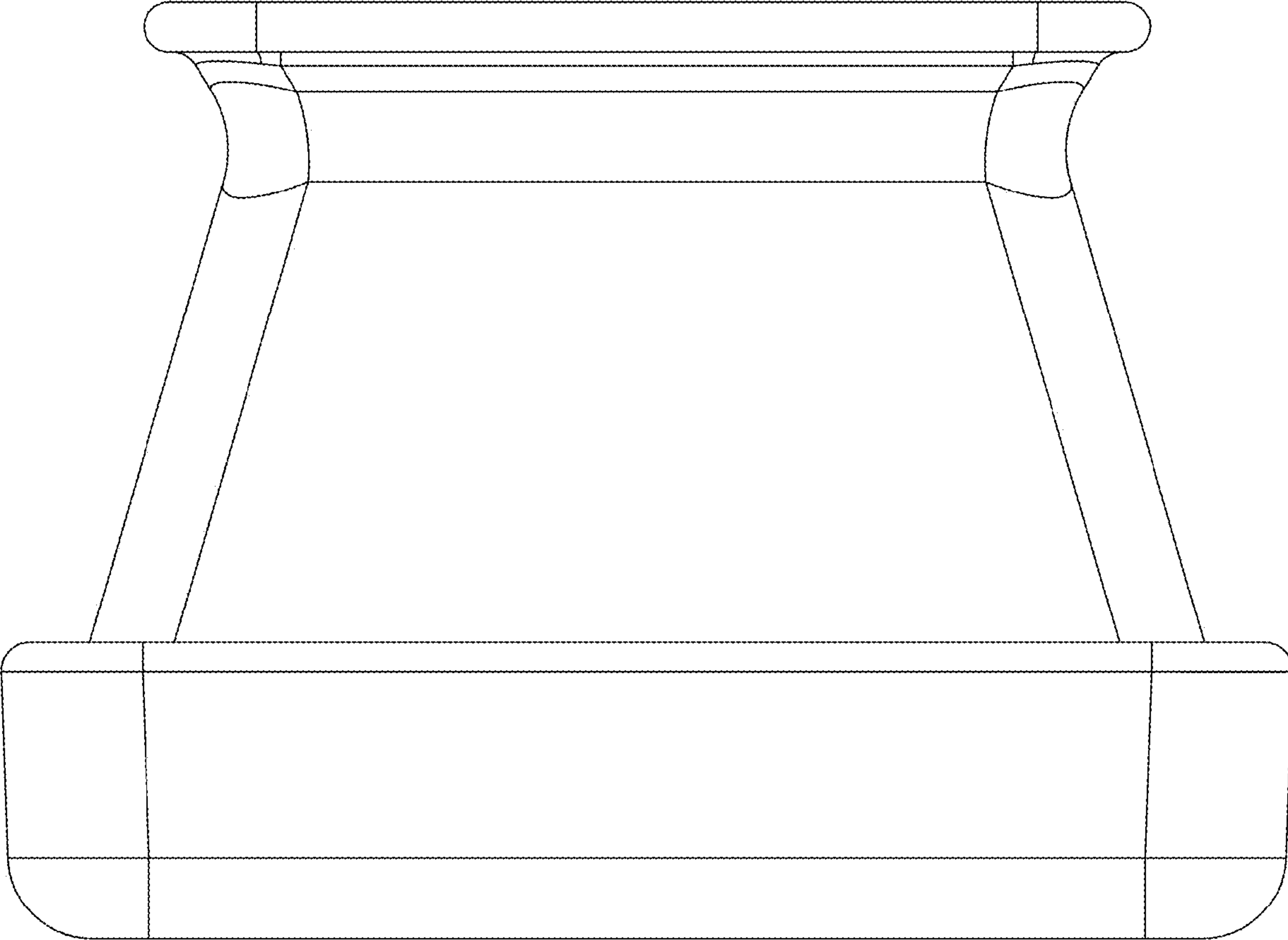


FIG. 3

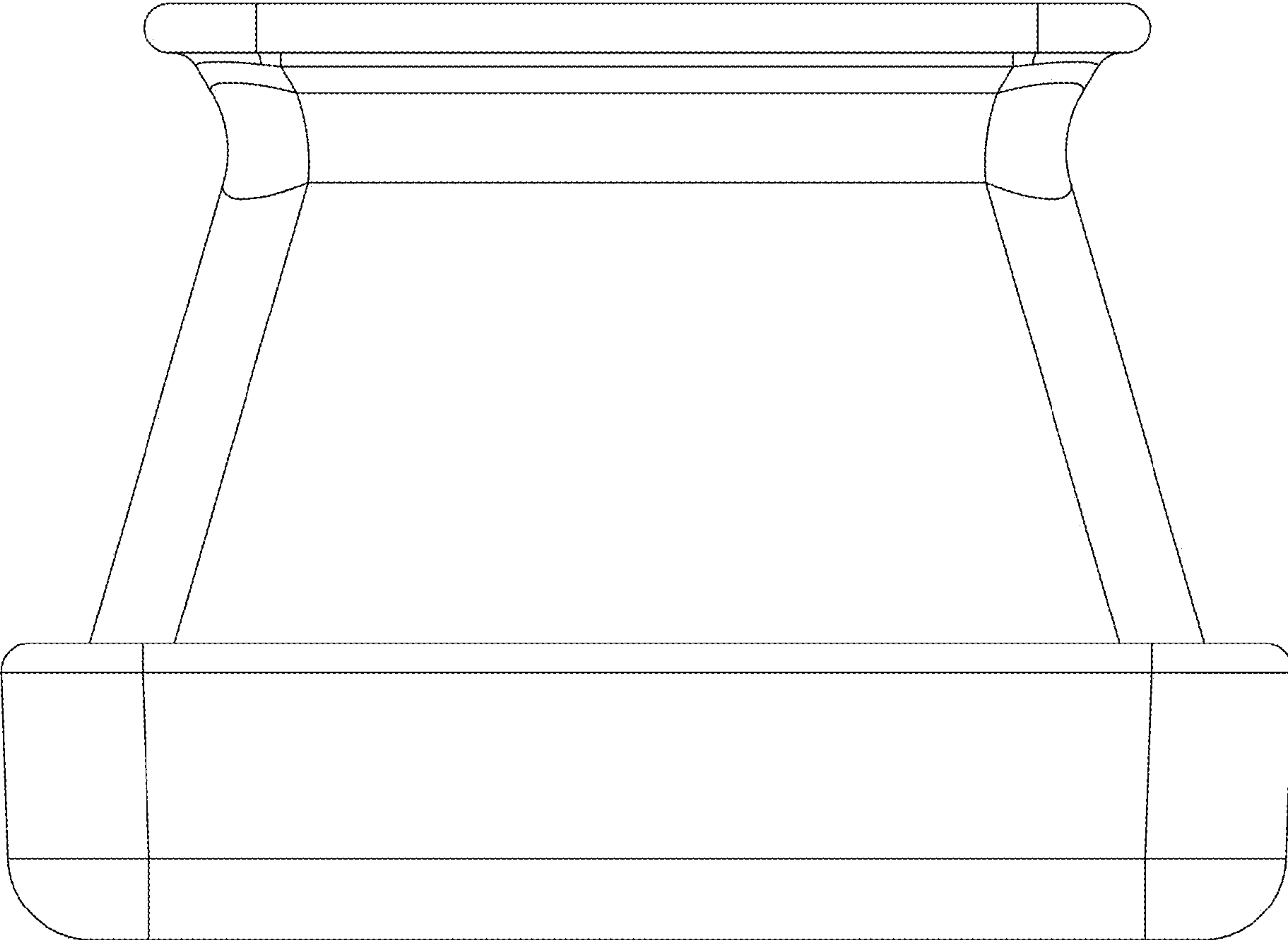


FIG. 4

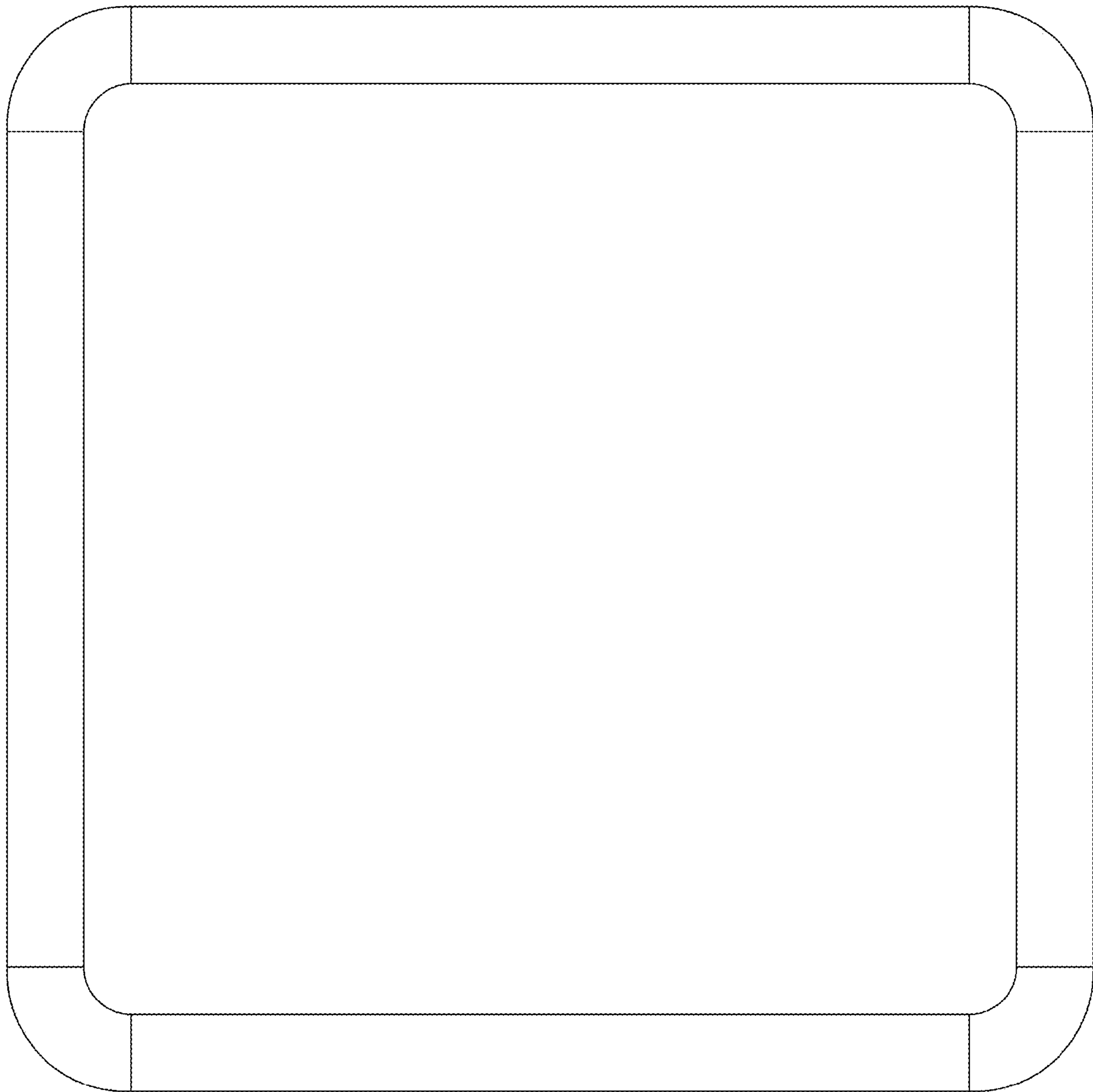


FIG. 5

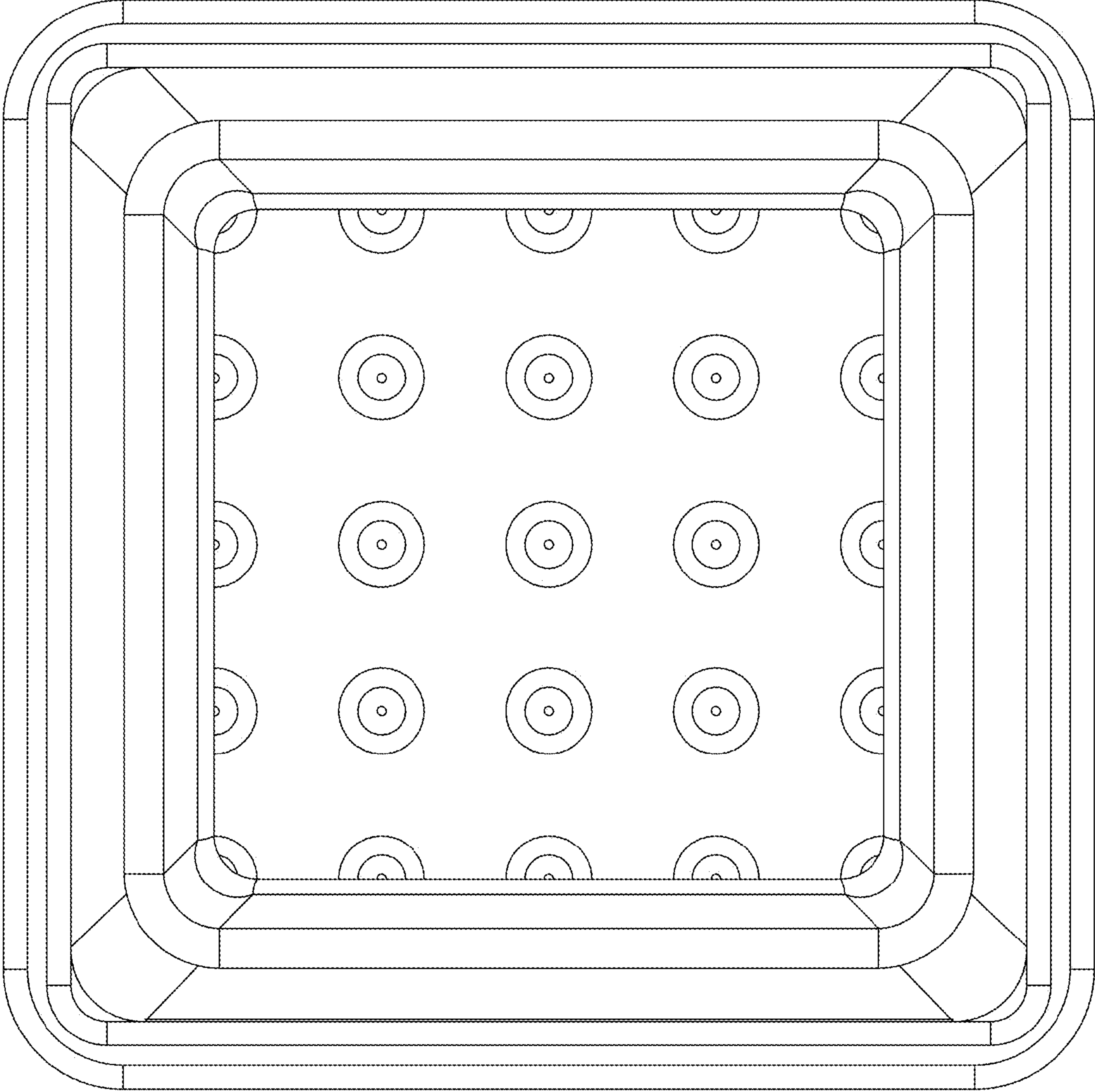


FIG. 6

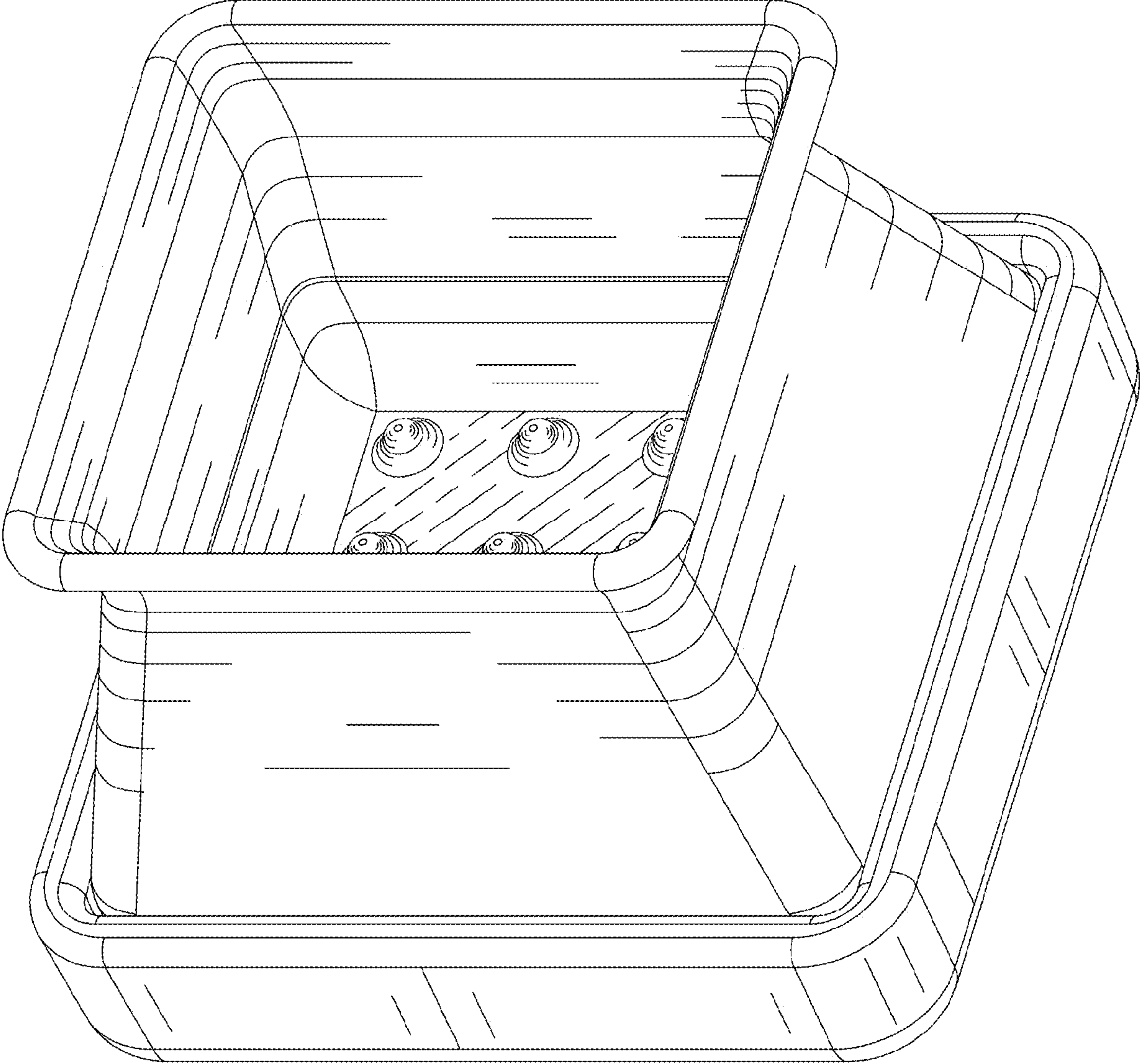


FIG. 7