



US00D974153S

(12) **United States Design Patent**
Chen

(10) **Patent No.:** **US D974,153 S**

(45) **Date of Patent:** **** Jan. 3, 2023**

(54) **BEARING PLATE FOR ANCHOR**
(71) Applicant: **Tsan-Jee Chen**, Taipei (TW)
(72) Inventor: **Tsan-Jee Chen**, Taipei (TW)
(**) Term: **15 Years**

D628,047 S * 11/2010 Craig D8/354
9,049,819 B2 * 6/2015 Chang E02D 17/20
9,340,945 B1 * 5/2016 Bye E02D 5/80
10,036,251 B2 * 7/2018 Sub E21D 21/0086
D864,497 S * 10/2019 Peninger D30/154
2003/0039514 A1 * 2/2003 Tadolini E21D 21/0086
405/288

(Continued)

(21) Appl. No.: **29/797,477**
(22) Filed: **Jun. 30, 2021**
(51) **LOC (14) Cl.** **08-05**
(52) **U.S. Cl.**
USPC **D8/354**
(58) **Field of Classification Search**
USPC D8/1, 388, 399, 385, 354; D25/199;
D30/154
CPC ... E02D 5/80; E02D 5/805; E02D 2200/1671;
E02D 2200/1635; E02D 2200/1628;
E02D 2200/16; E02D 5/801; E02D 5/803;
E05B 73/00; E05B 73/0094; A45F 3/44
See application file for complete search history.

FOREIGN PATENT DOCUMENTS

CN 306685248 * 7/2021
NZ 429352-0001 * 10/2021
NZ 429620-0001 * 11/2021

Primary Examiner — Sheryl Lane
Assistant Examiner — Ieisha N Price
(74) *Attorney, Agent, or Firm* — Chun-Ming Shih;
Lanway IPR Services

(57) **CLAIM**

The ornamental design for a bearing plate for anchor, as shown and described.

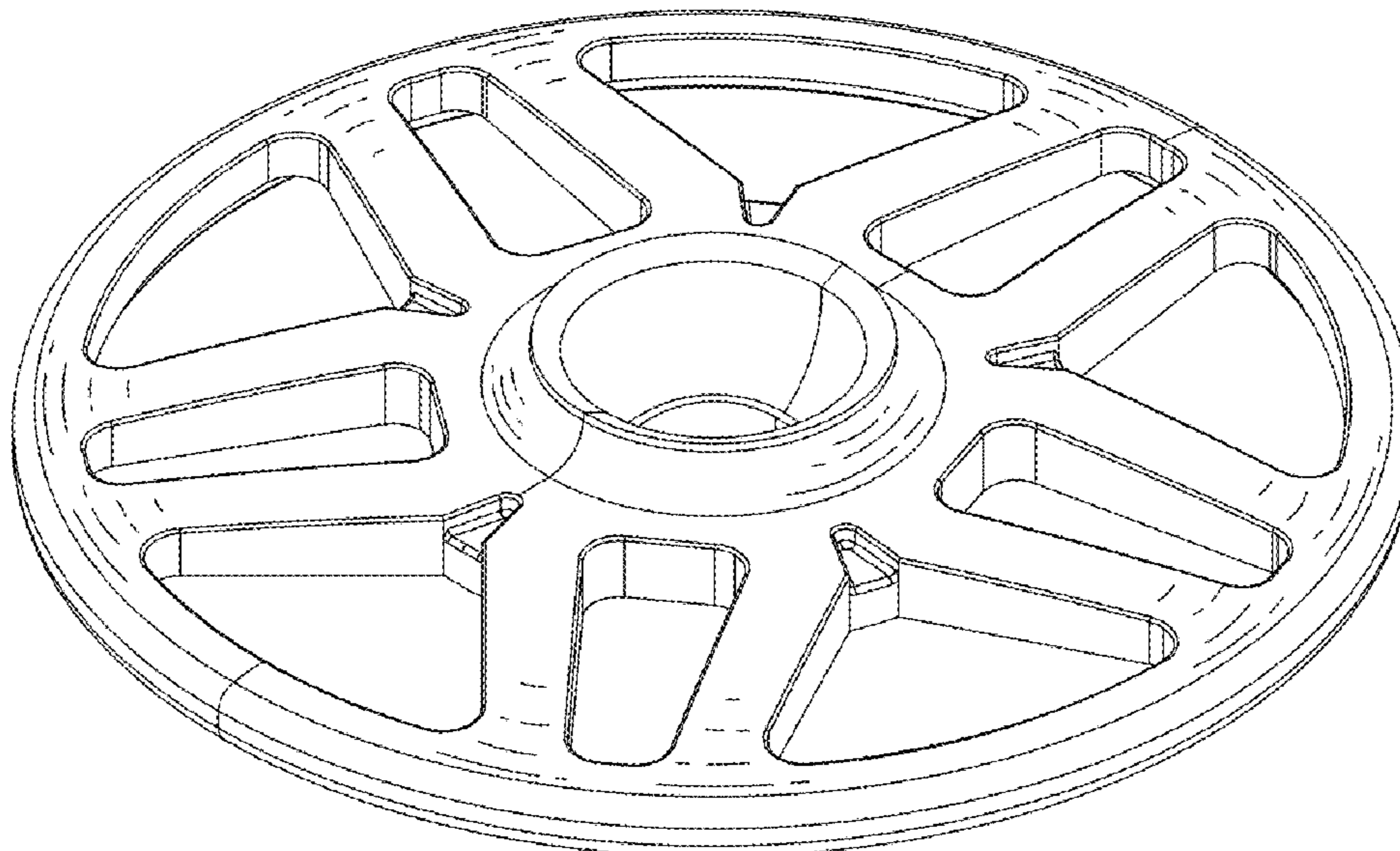
DESCRIPTION

(56) **References Cited**
U.S. PATENT DOCUMENTS

2,431,464 A * 11/1947 Chorley E02D 5/803
52/159
4,574,551 A * 3/1986 Giannuzzi E04D 3/3603
52/410
D288,778 S * 3/1987 Giannuzzi D8/399
4,763,456 A * 8/1988 Giannuzzi E04D 3/3603
411/533
5,102,275 A * 4/1992 Hulsey E04D 3/3603
411/533
5,385,433 A * 1/1995 Calandra, Jr. E21D 11/006
411/545
D442,197 S * 5/2001 Willet D15/143
D470,041 S * 2/2003 Fergusson D8/399
D477,118 S * 7/2003 Kirch D30/154
7,008,158 B2 * 3/2006 Madden, III F16B 39/10
411/119

FIG. 1 is a top front right-side perspective view of a bearing plate for anchor, showing my new design;
FIG. 2 is a bottom front right-side perspective view thereof;
FIG. 3 is a front view thereof;
FIG. 4 is a rear view thereof;
FIG. 5 is a left-side view thereof;
FIG. 6 is a right-side view thereof;
FIG. 7 is a top view thereof;
FIG. 8 is a bottom view thereof;
FIG. 9 is an environmental perspective view thereof, shown in an in-use condition; and,
FIG. 10 is a cross sectional view taken along line 10-10 of FIG. 3.
The broken lines showing in FIG. 9 represents the environment of the claimed design and forms no part thereof.

1 Claim, 8 Drawing Sheets



(56)

References Cited

U.S. PATENT DOCUMENTS

2014/0037387 A1* 2/2014 Ferreira F16G 11/108
405/259.1
2014/0112723 A1* 4/2014 Daniel E21D 20/00
405/259.1
2017/0251792 A1* 9/2017 Brooks E02D 5/801
2022/0081862 A1* 3/2022 de Fresart H02S 20/32

* cited by examiner

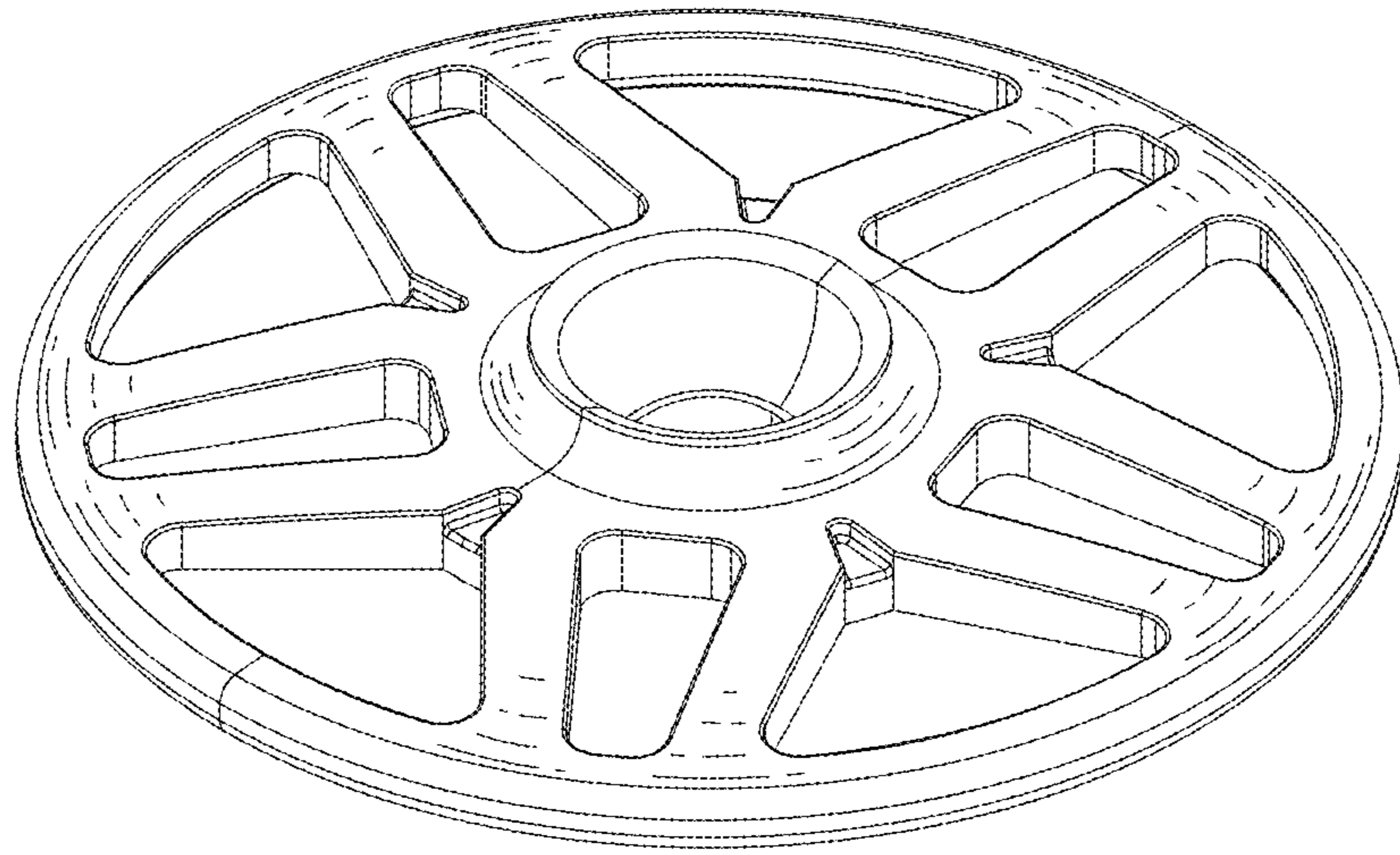


FIG. 1

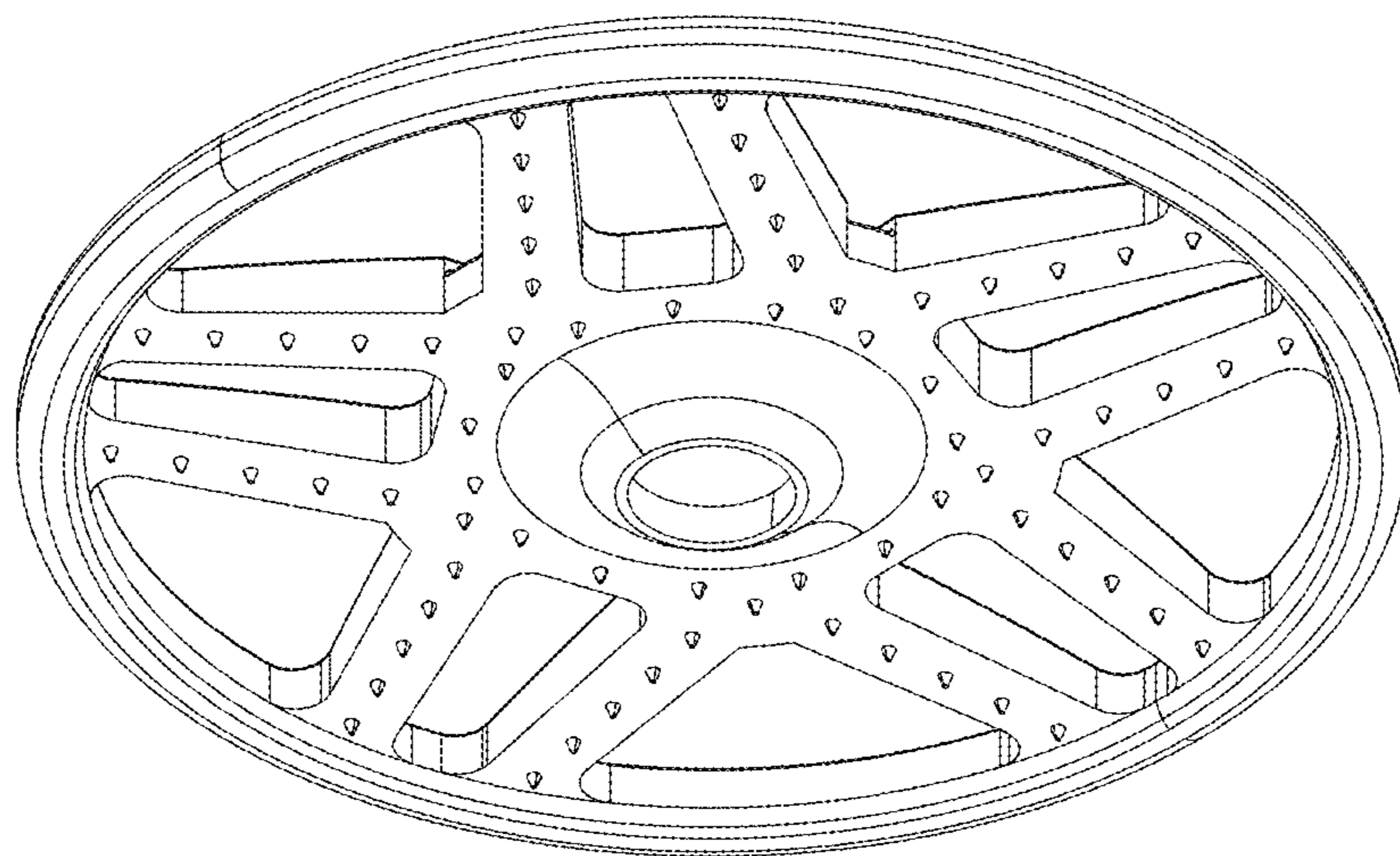


FIG. 2

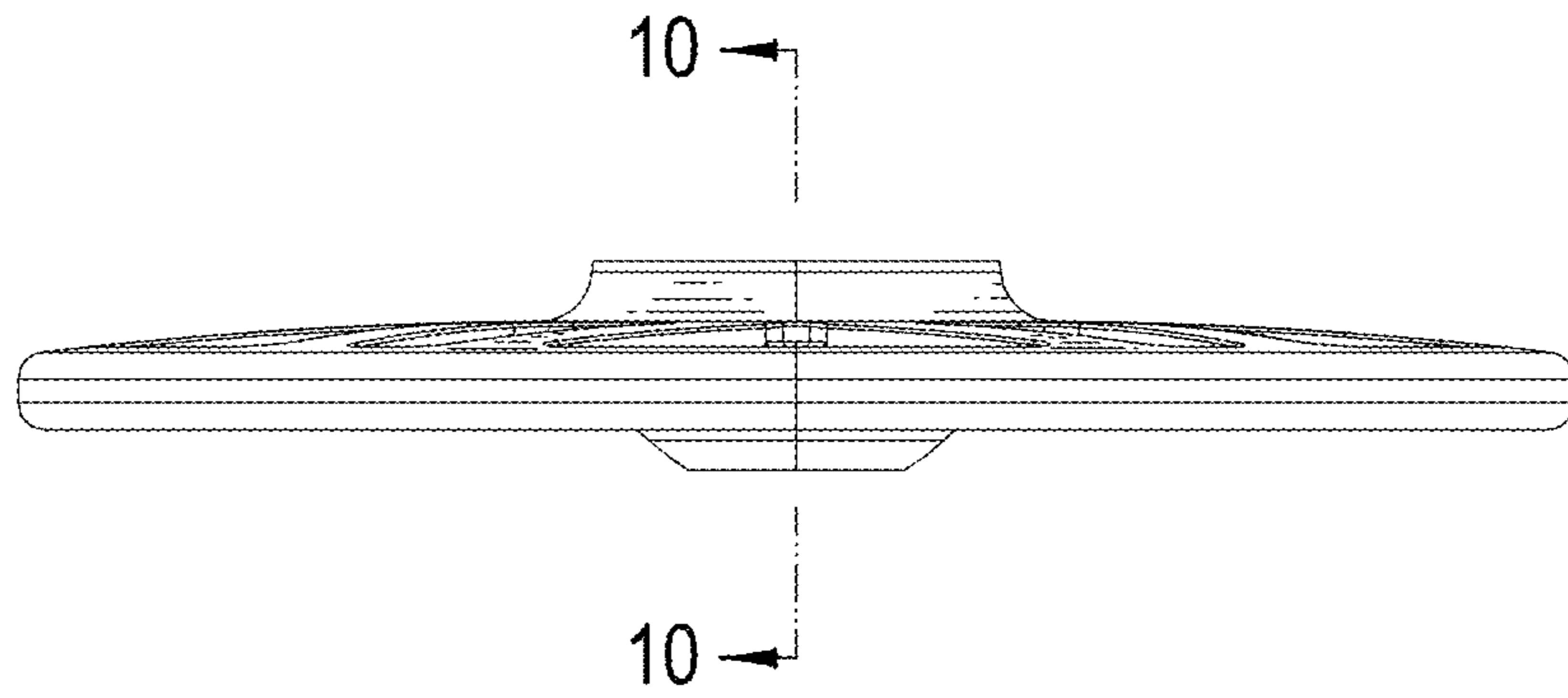


FIG. 3

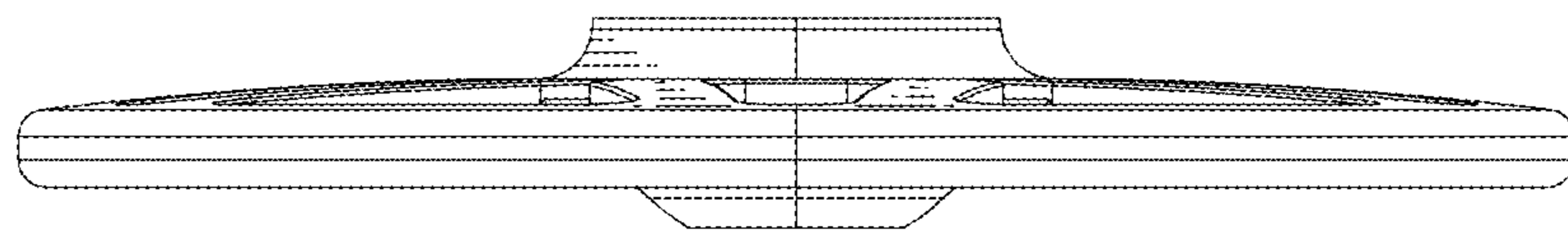


FIG. 4

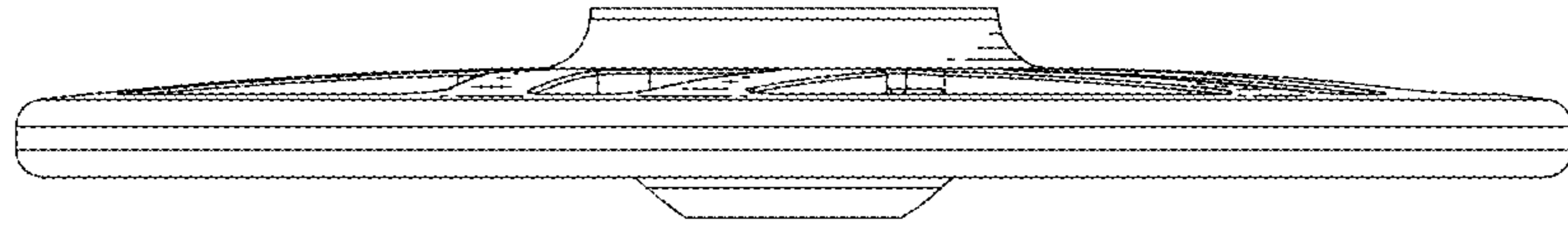


FIG. 5

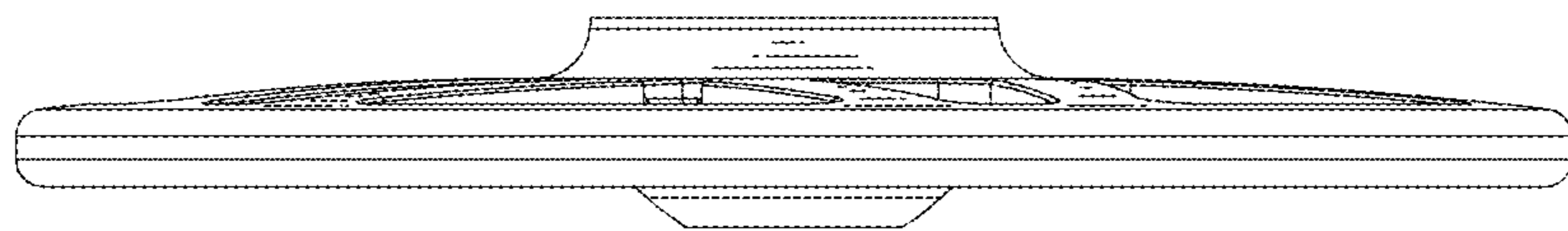


FIG. 6

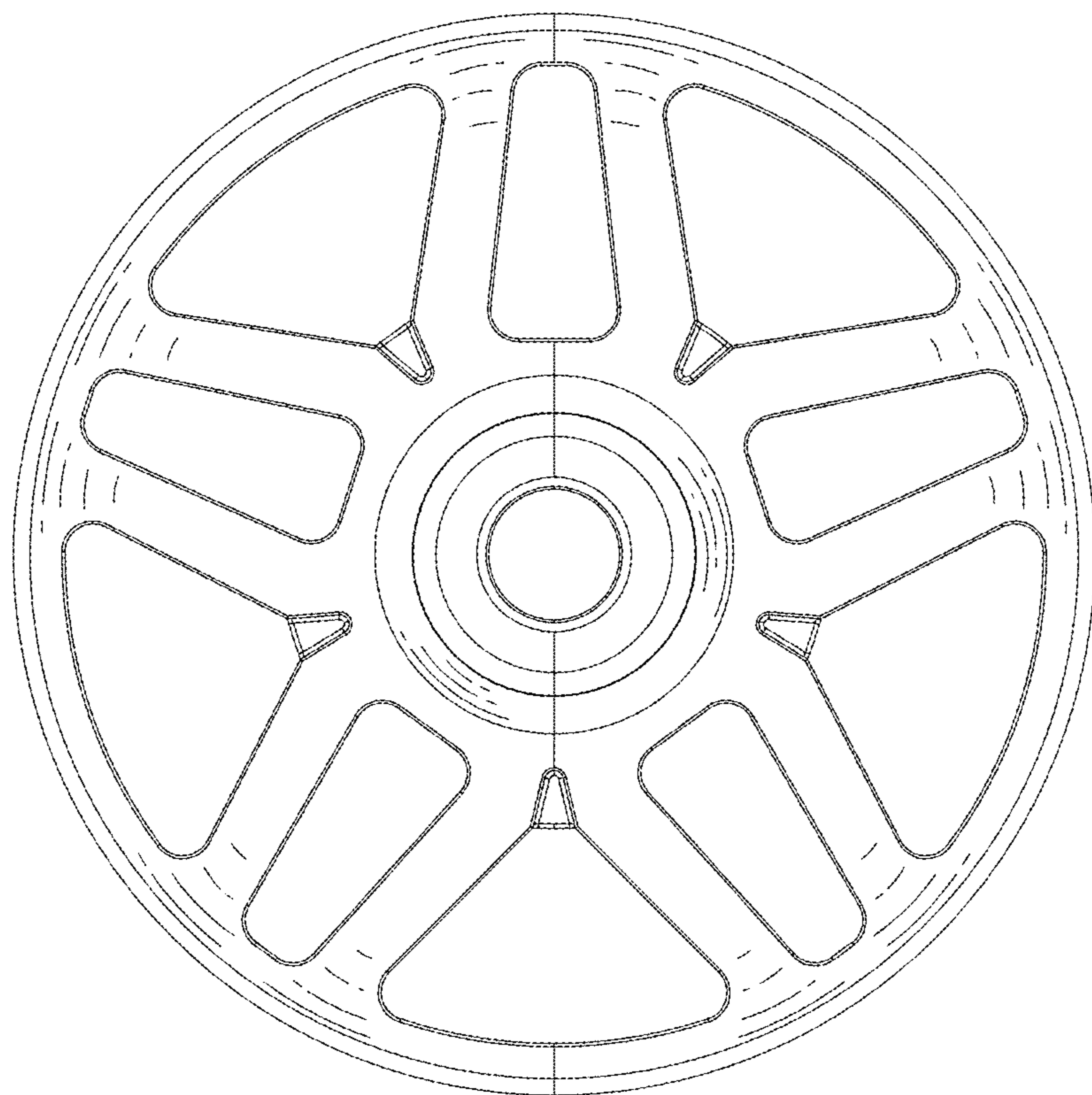


FIG. 7

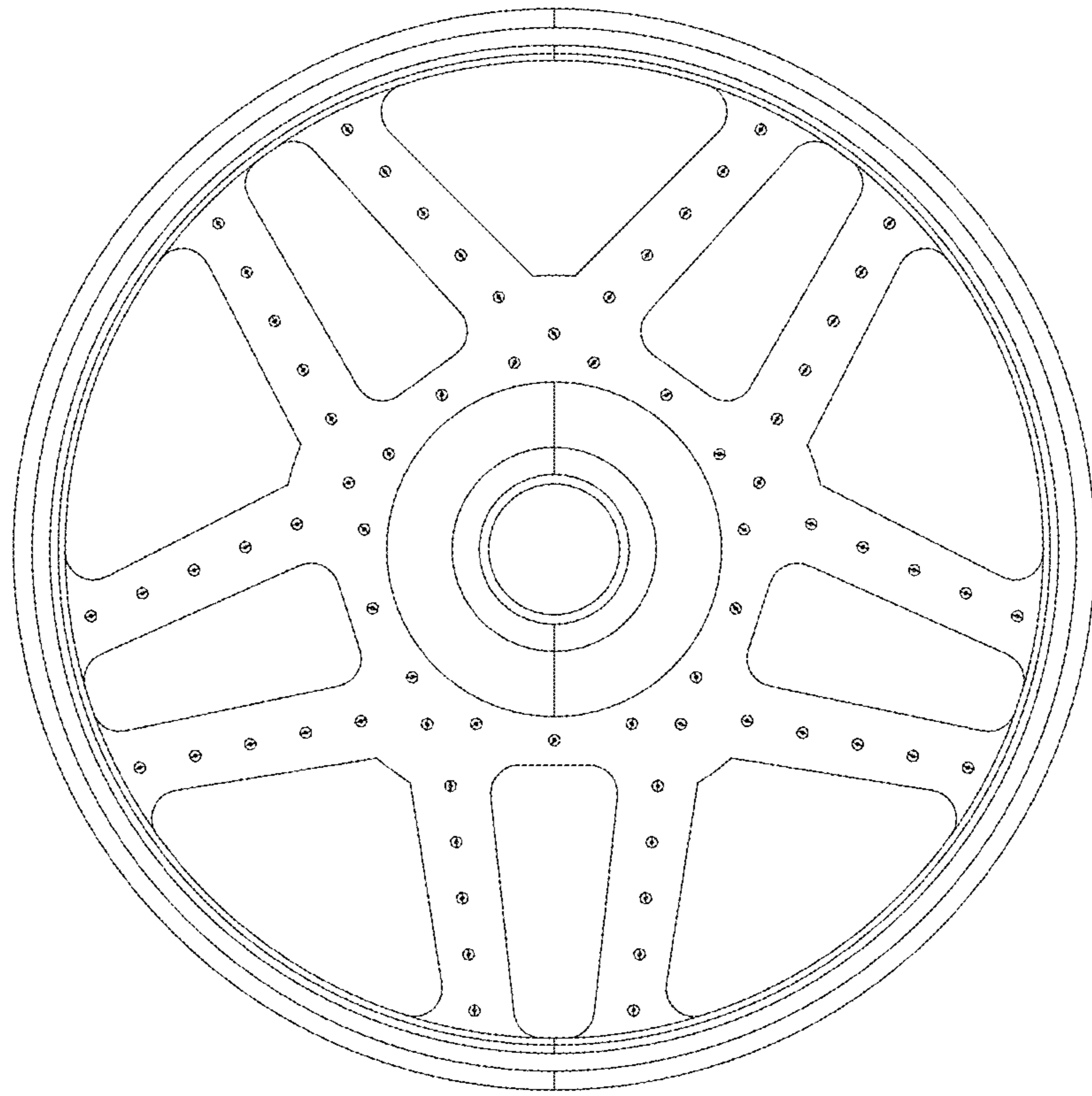


FIG. 8

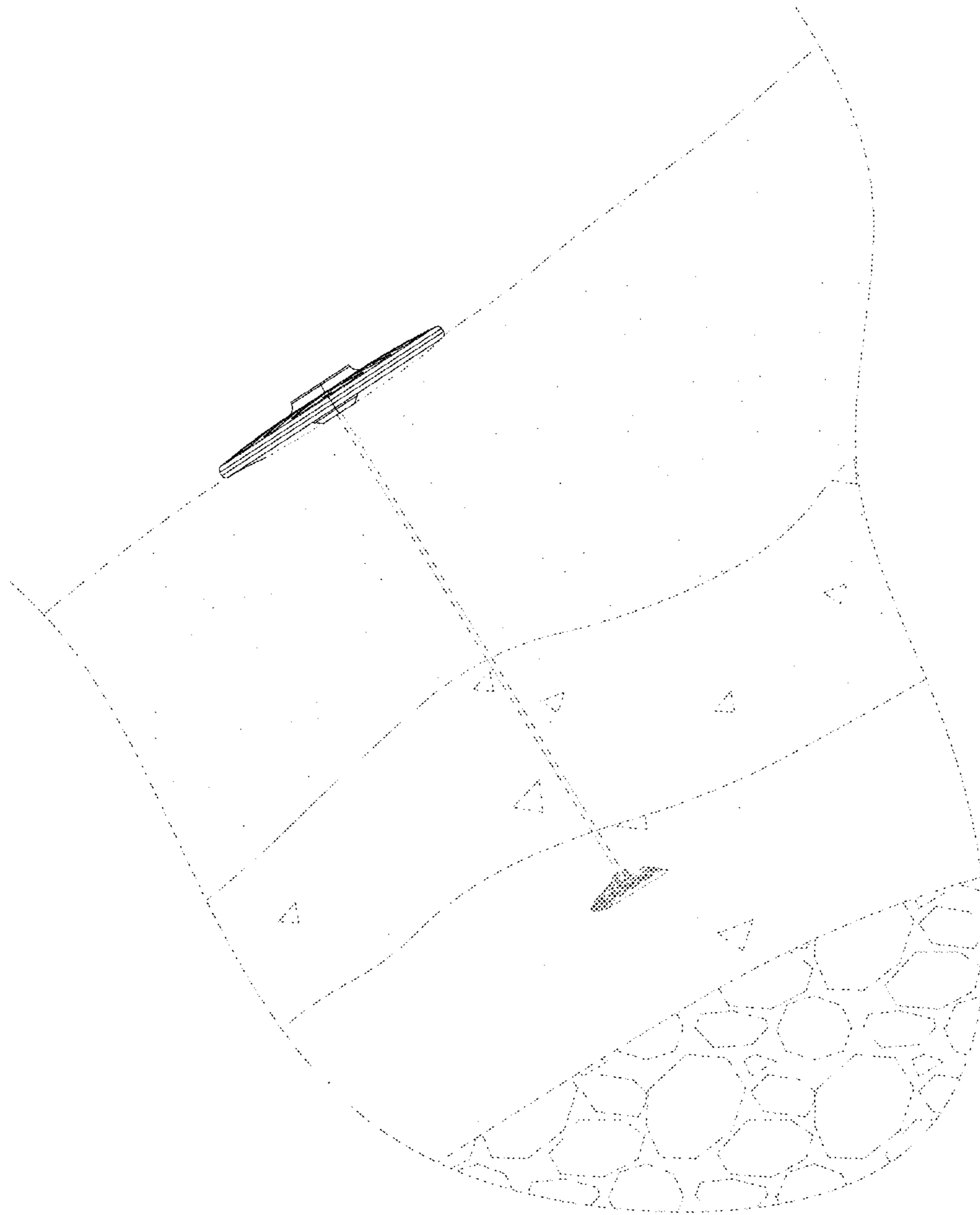


FIG. 9

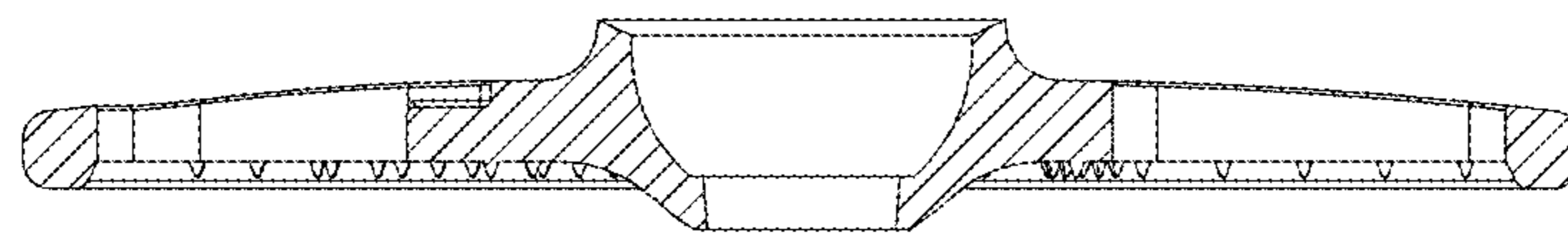


FIG. 10