



US00D974152S

(12) **United States Design Patent**
Chen

(10) **Patent No.:** **US D974,152 S**

(45) **Date of Patent:** **** Jan. 3, 2023**

(54) **ANCHOR HEAD**
(71) Applicant: **Tsan-Jee Chen**, Taipei (TW)
(72) Inventor: **Tsan-Jee Chen**, Taipei (TW)
(**) Term: **15 Years**

4,802,317 A * 2/1989 Chandler E02D 5/803
52/166
5,720,579 A * 2/1998 Trangsrud E02D 5/803
52/155
5,775,037 A * 7/1998 James E02D 5/803
52/166
D420,891 S * 2/2000 Trangsrud D8/354
(Continued)

(21) Appl. No.: **29/797,473**
(22) Filed: **Jun. 30, 2021**
(51) **LOC (14) Cl.** **08-05**
(52) **U.S. Cl.**
USPC **D8/354**
(58) **Field of Classification Search**
USPC D8/1, 388, 399, 385, 354; D25/199;
D30/154
CPC ... E02D 5/80; E02D 5/805; E02D 2200/1671;
E02D 2200/1635; E02D 2200/1628;
E02D 2200/16; E02D 5/801; E02D 5/803;
E05B 73/00; E05B 73/0094; A45F 3/44
See application file for complete search history.

FOREIGN PATENT DOCUMENTS

CN 300845742 * 11/2008
CN 306528618 * 5/2021
IN 321971-001-0001 * 9/2020

Primary Examiner — Sheryl Lane
Assistant Examiner — Ieisha N Price
(74) *Attorney, Agent, or Firm* — Chun-Ming Shih;
Lanway IPR Services

(57) **CLAIM**

The ornamental design for an anchor head, as shown and described.

(56) **References Cited**

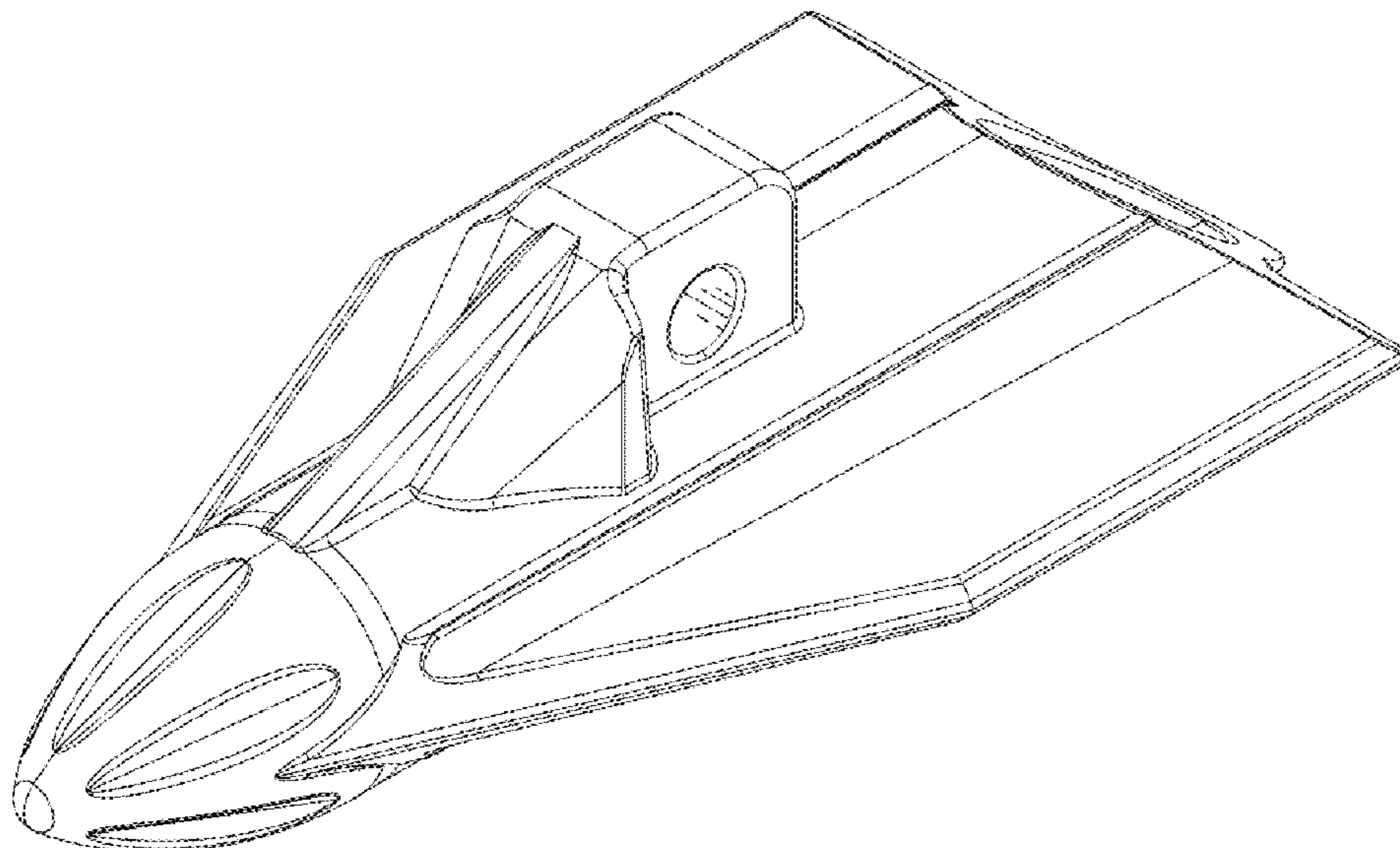
U.S. PATENT DOCUMENTS

1,564,069 A * 12/1925 Hoovens H02G 13/40
174/6
2,002,628 A * 5/1935 Chance E02D 5/80
52/166
2,252,379 A * 8/1941 Johns E02D 5/803
52/166
2,490,465 A * 12/1949 Ogburn E02D 5/803
52/164
3,969,854 A * 7/1976 Deike E02D 5/803
52/166
4,044,513 A * 8/1977 Deike E02D 5/803
405/259.5
4,574,539 A * 3/1986 Deike E02D 5/803
52/166
D287,098 S * 12/1986 Wilson D8/356
4,688,360 A * 8/1987 Luong E02D 5/803
114/294

DESCRIPTION

FIG. 1 is a top front right-side perspective view of an anchor head, showing my new design;
FIG. 2 is a top rear right-side perspective view thereof;
FIG. 3 is a bottom front left-side perspective view thereof;
FIG. 4 is a front view thereof;
FIG. 5 is a rear view thereof;
FIG. 6 is a left-side view thereof;
FIG. 7 is a right-side view thereof;
FIG. 8 is a top view thereof;
FIG. 9 is a bottom view thereof; and,
FIG. 10 is an environmental perspective view thereof, shown in an in-use condition.
The broken lines showing in FIG. 10 represents the environment of the claimed design and forms no part thereof.

1 Claim, 9 Drawing Sheets



(56)

References Cited

U.S. PATENT DOCUMENTS

D572,546 S * 7/2008 Stahm E02D 5/803
D8/1
8,651,771 B2 * 2/2014 Schneider E02D 17/202
405/259.1
9,049,819 B2 * 6/2015 Chang E02D 17/20
D745,699 S * 12/2015 Clarke D25/38.1
D759,473 S * 6/2016 Zhou D8/388
D783,742 S * 4/2017 Adema D21/699
2005/0150184 A1 * 7/2005 Lagercrantz E02D 5/803
52/698
2008/0282625 A1 * 11/2008 Stahm E02D 5/80
52/157
2009/0041548 A1 * 2/2009 Stahm E02D 5/803
405/259.1
2009/0041549 A1 * 2/2009 Stahm E02D 5/803
405/259.1
2010/0058680 A1 * 3/2010 Agg E02D 5/74
52/163
2013/0121772 A1 * 5/2013 Karsten E02D 5/803
405/259.1
2013/0136543 A1 * 5/2013 Karsten E02D 5/80
405/232
2014/0037387 A1 * 2/2014 Ferreira F16G 11/108
405/259.1
2016/0102442 A1 * 4/2016 Somerfield E02D 5/803
52/163
2017/0058480 A1 * 3/2017 Hermans E02D 5/803
2017/0089025 A1 * 3/2017 Chilson E02D 5/803
2017/0190387 A1 * 7/2017 Betcher B63B 22/04
2022/0081862 A1 * 3/2022 de Fresart H02S 20/32

* cited by examiner

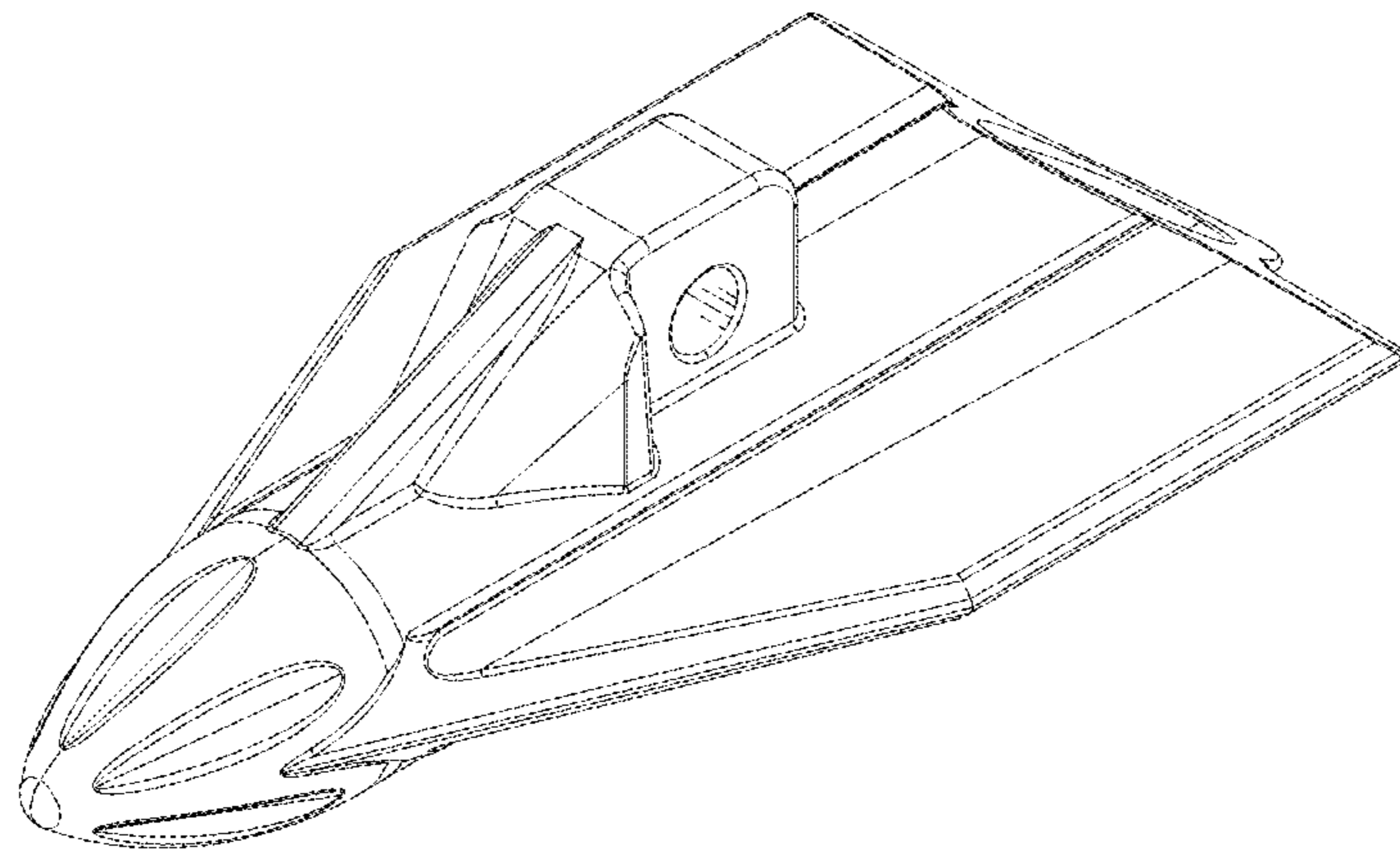


FIG. 1

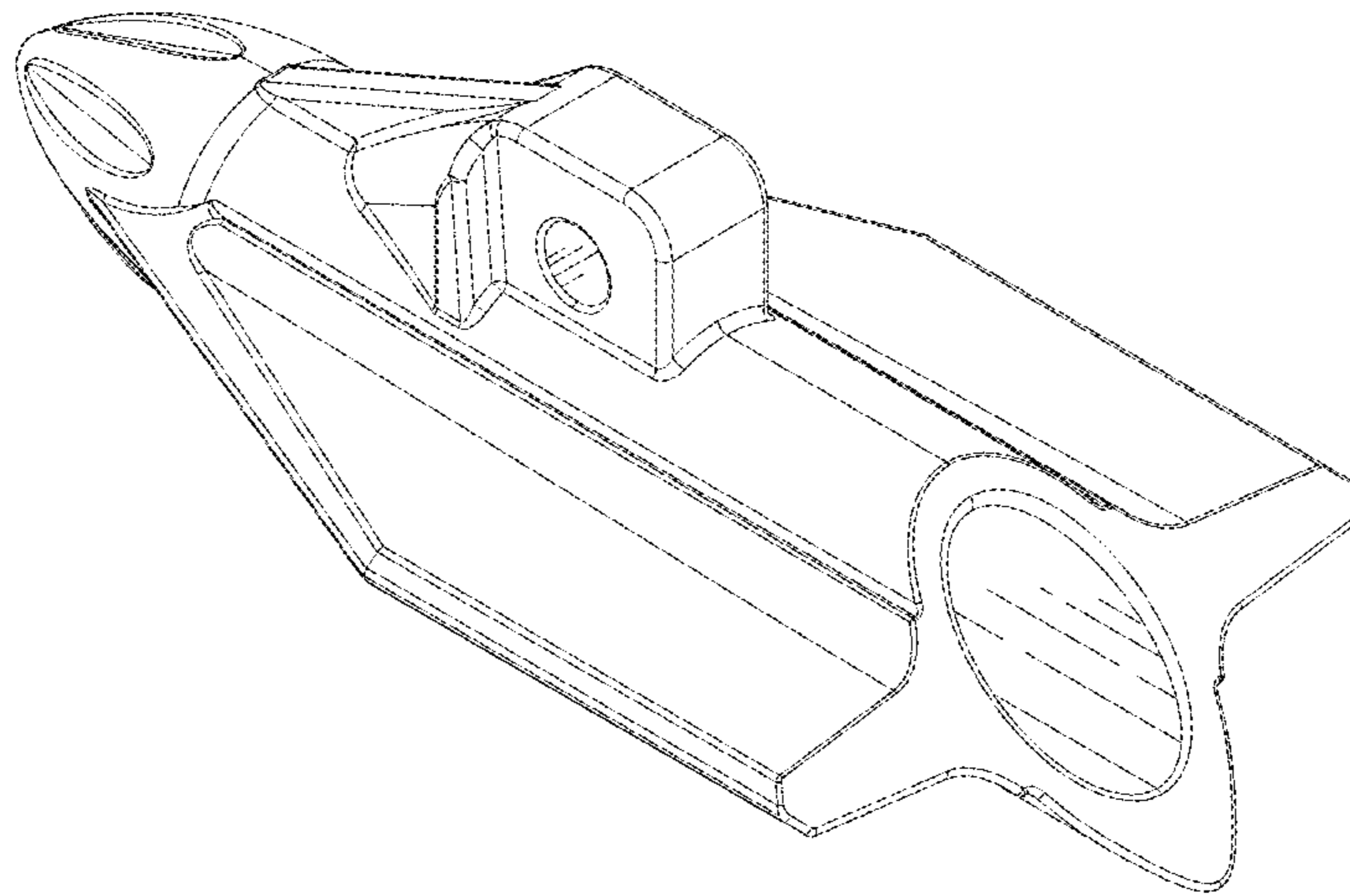


FIG. 2

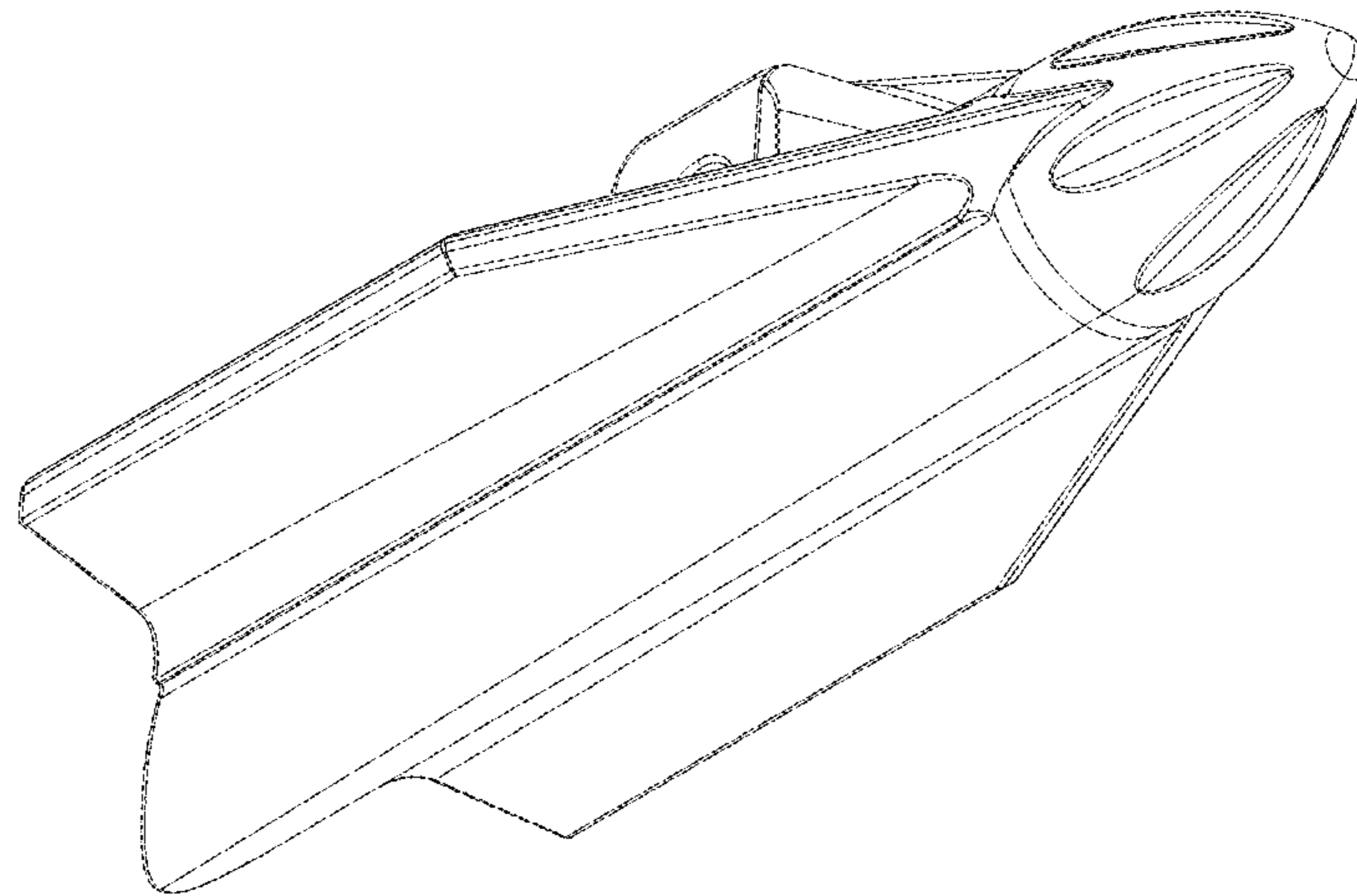


FIG. 3

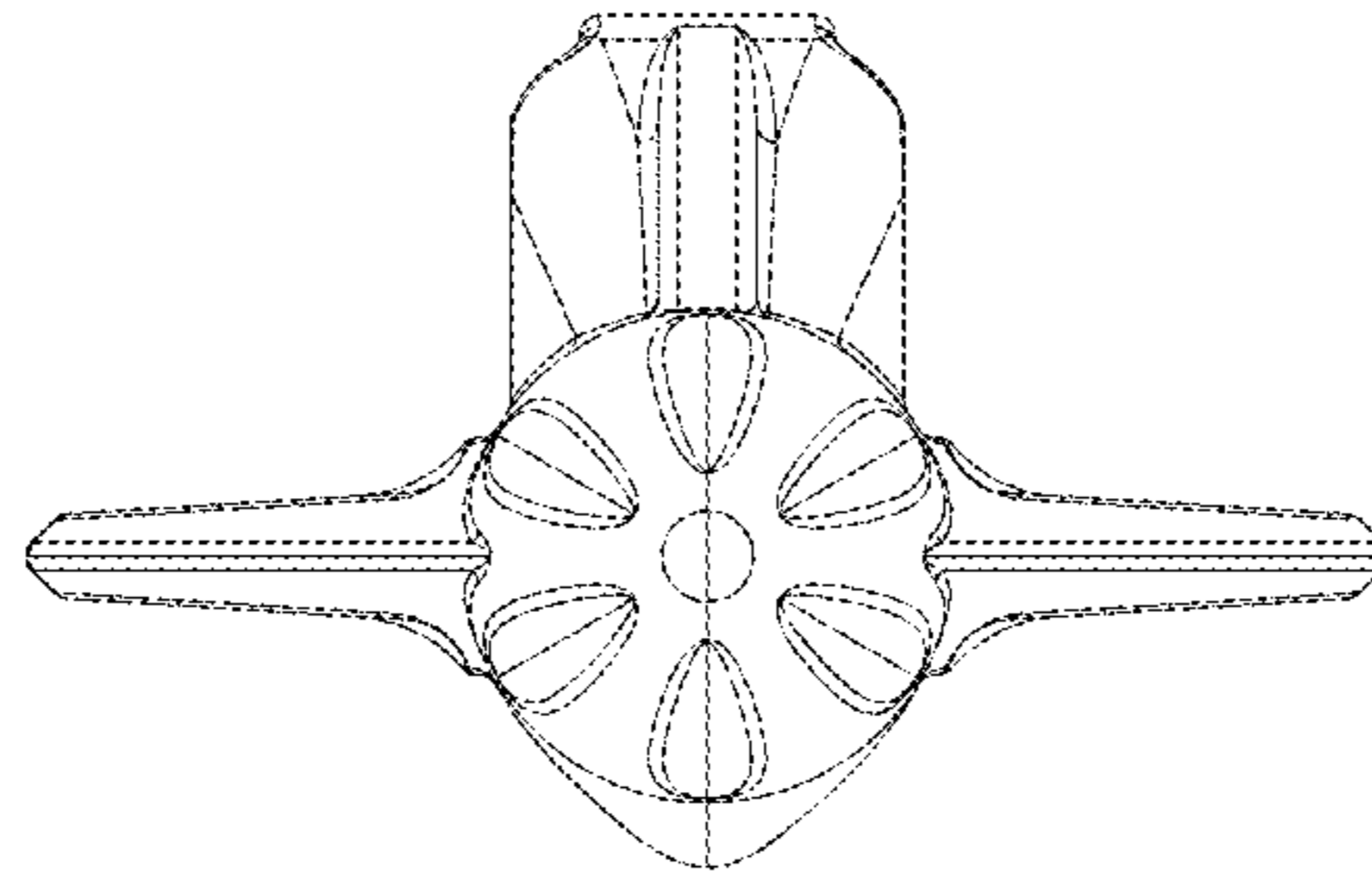


FIG. 4

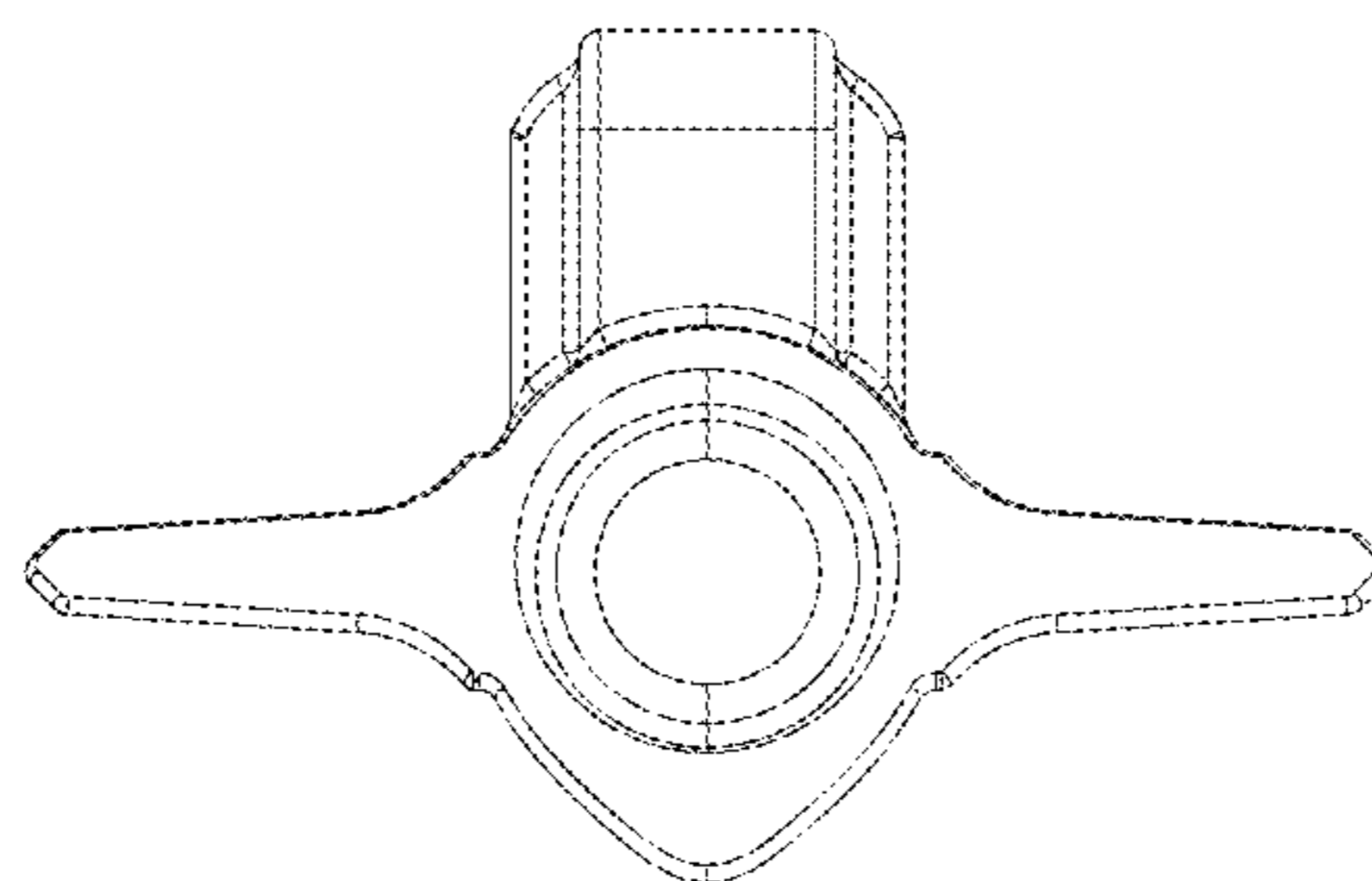


FIG. 5

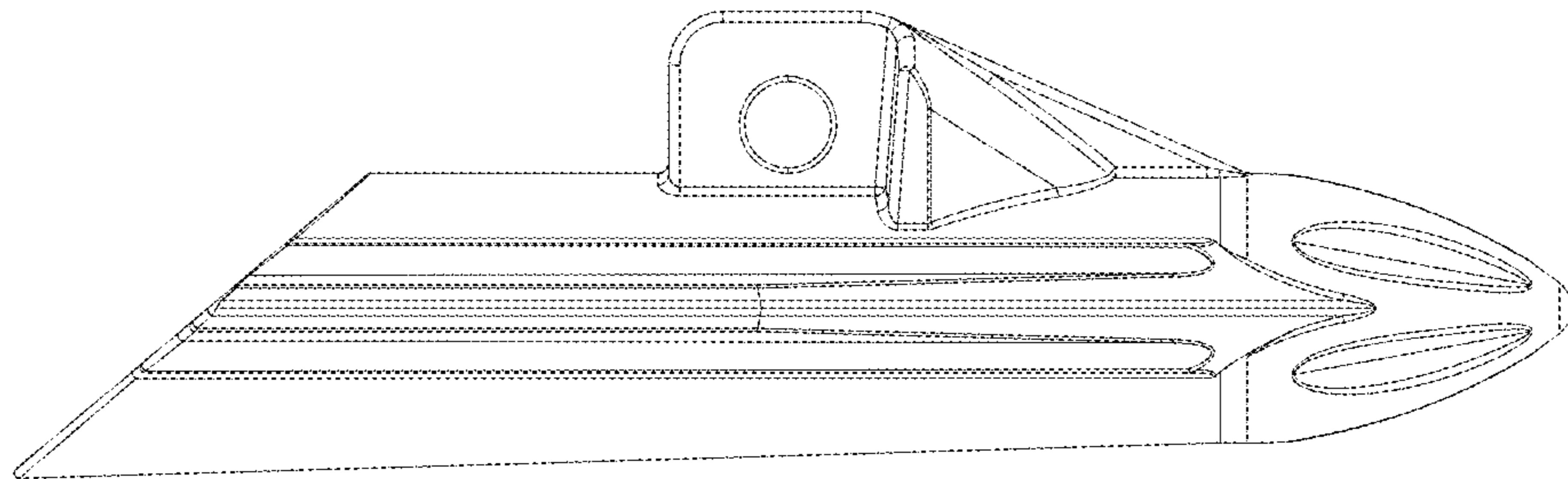


FIG. 6

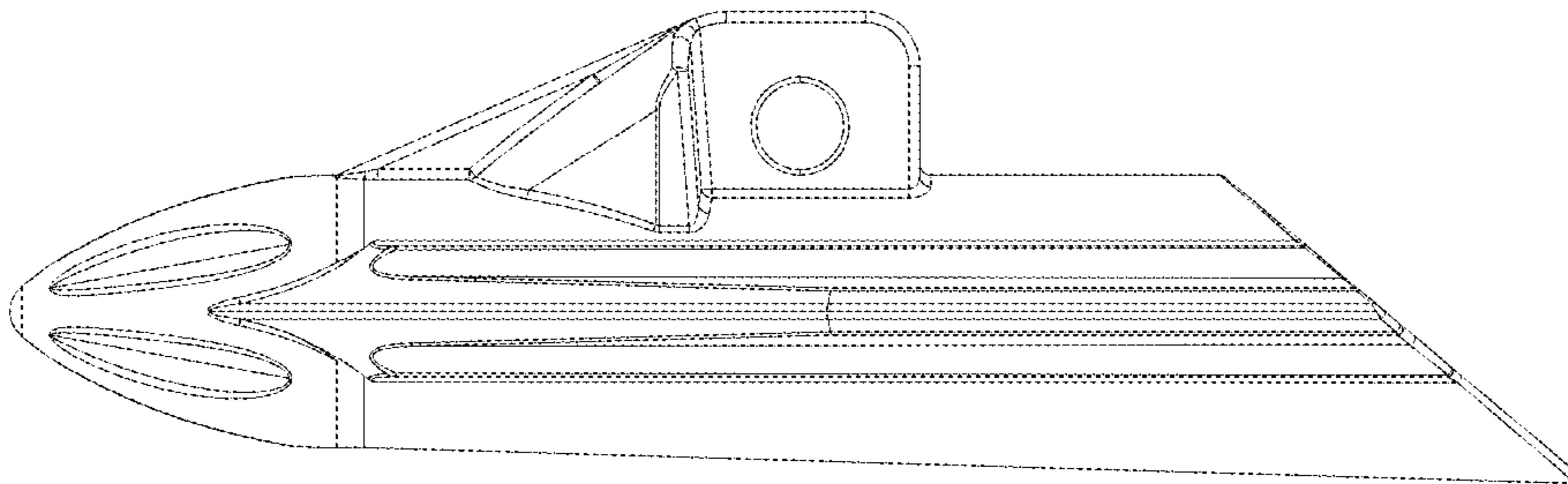


FIG. 7

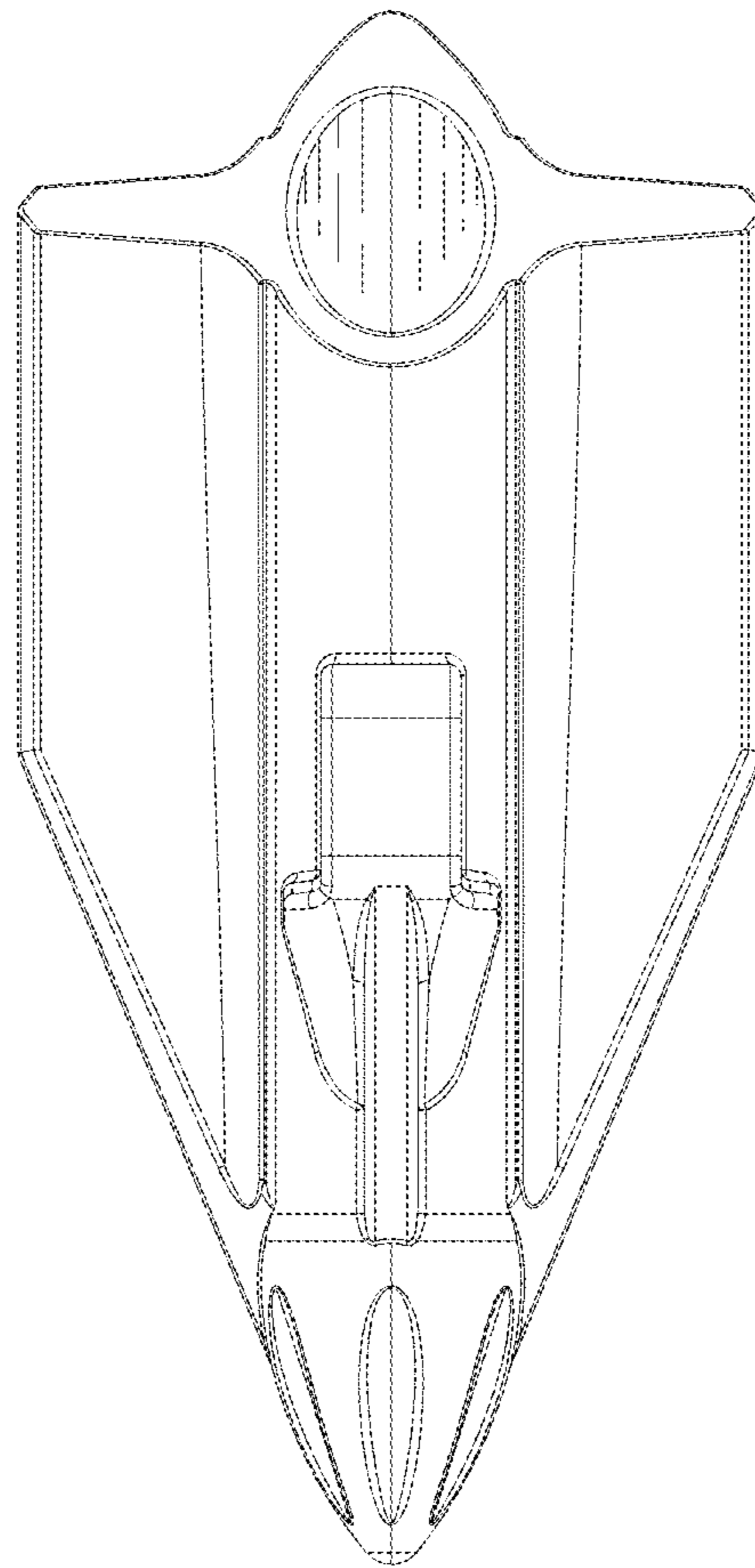


FIG. 8

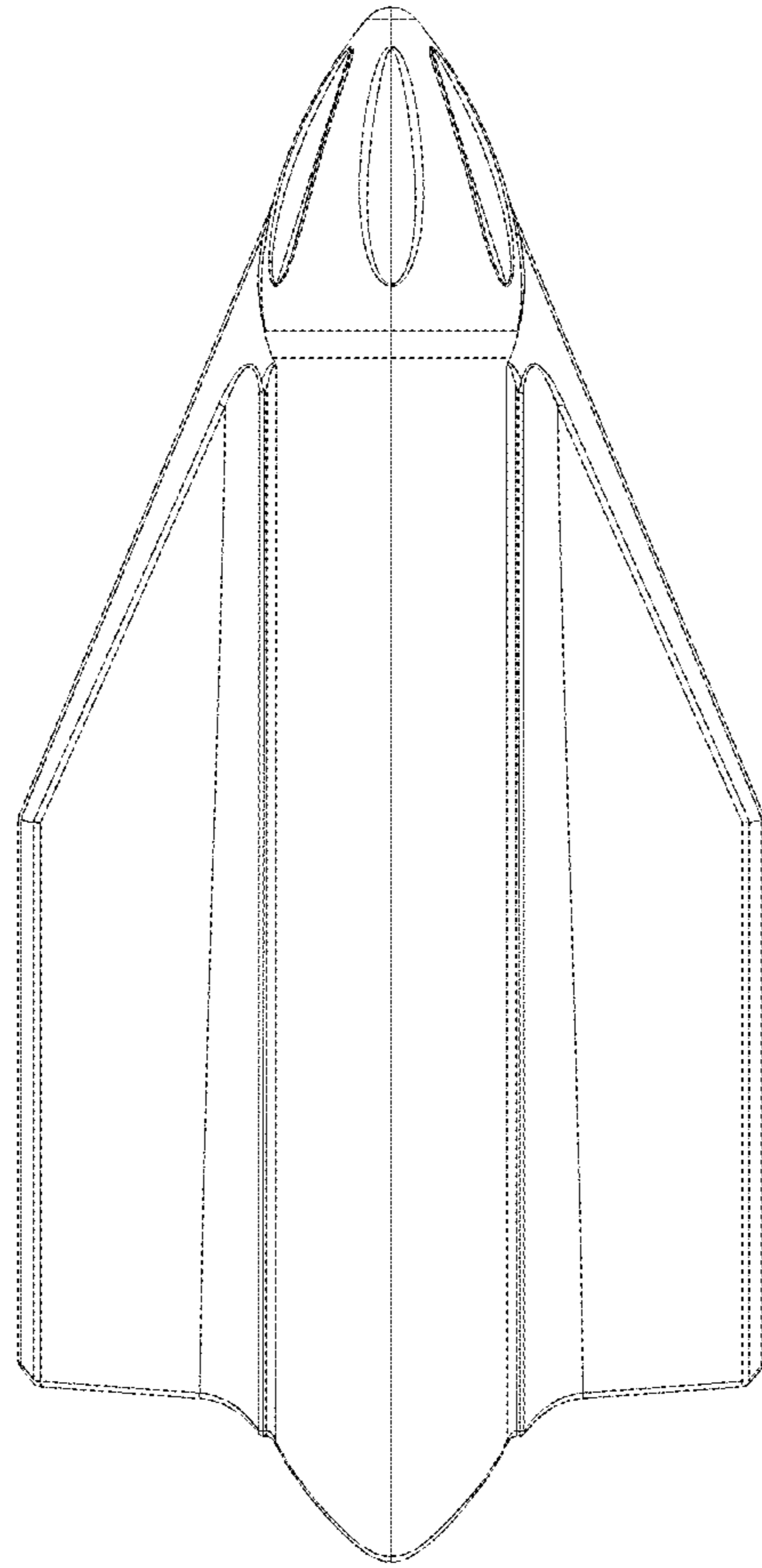


FIG. 9

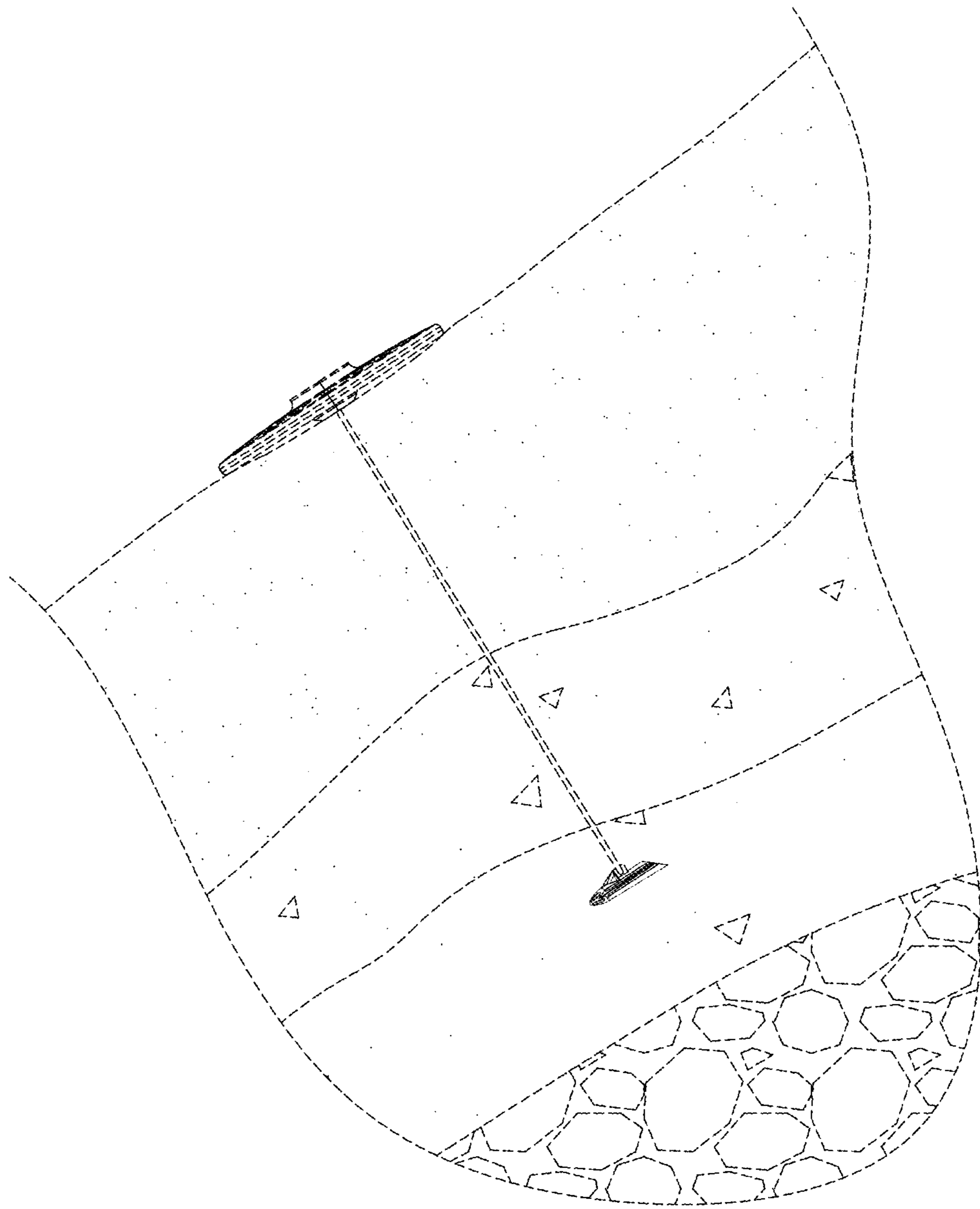


FIG. 10