

US00D974151S

(12) **United States Design Patent** (10) **Patent No.:** **US D974,151 S**  
**Chen** (45) **Date of Patent:** **\*\* Jan. 3, 2023**

(54) **BEARING PLATE FOR ANCHOR**  
(71) Applicant: **Tsan-Jee Chen**, Taipei (TW)  
(72) Inventor: **Tsan-Jee Chen**, Taipei (TW)  
(\*\*) Term: **15 Years**  
(21) Appl. No.: **29/777,503**

9,049,819 B2 \* 6/2015 Chang ..... E02D 17/20  
9,340,945 B1 \* 5/2016 Bye ..... E02D 5/80  
10,036,251 B2 \* 7/2018 Sub ..... E21D 21/0086  
D864,497 S \* 10/2019 Peninger ..... D30/154  
2003/0039514 A1 \* 2/2003 Tadolini ..... E21D 21/0086  
405/288  
2014/0037387 A1 \* 2/2014 Ferreira ..... F16G 11/108  
405/259.1  
2014/0112723 A1 \* 4/2014 Daniel ..... E21D 20/00  
405/259.1

(Continued)

(22) Filed: **Apr. 6, 2021**  
(51) **LOC (14) Cl.** ..... **08-05**  
(52) **U.S. Cl.**  
USPC ..... **D8/354**  
(58) **Field of Classification Search**  
USPC ..... D8/1, 388, 399, 385; D25/199; D30/154  
CPC ... E02D 5/80; E02D 5/805; E02D 2200/1671;  
E02D 2200/1635; E02D 2200/1628;  
E02D 2200/16; E02D 5/801; E02D 5/803;  
E05B 73/00; E05B 73/0094; A45F 3/44  
See application file for complete search history.

FOREIGN PATENT DOCUMENTS

CN 306685248 \* 7/2021  
NZ 429352-0001 \* 10/2021  
NZ 429620-0001 \* 11/2021

*Primary Examiner* — Sheryl Lane  
*Assistant Examiner* — Ieisha N Price  
(74) *Attorney, Agent, or Firm* — Chun-Ming Shih;  
Lanway IPR Services

(56) **References Cited**  
U.S. PATENT DOCUMENTS

2,431,464 A \* 11/1947 Chorley ..... E02D 5/803  
52/159  
4,574,551 A \* 3/1986 Giannuzzi ..... E04D 3/3603  
52/410  
D288,778 S \* 3/1987 Giannuzzi ..... D8/399  
4,763,456 A \* 8/1988 Giannuzzi ..... E04D 3/3603  
411/533  
5,102,275 A \* 4/1992 Hulsey ..... E04D 3/3603  
411/533  
5,385,433 A \* 1/1995 Calandra, Jr. .... E21D 11/006  
411/545  
D442,197 S \* 5/2001 Willet ..... D15/143  
D470,041 S \* 2/2003 Fergusson ..... D8/399  
D477,118 S \* 7/2003 Kirch ..... D30/154  
7,008,158 B2 \* 3/2006 Madden, III ..... F16B 39/10  
411/119  
D628,047 S \* 11/2010 Craig ..... D8/354

(57) **CLAIM**

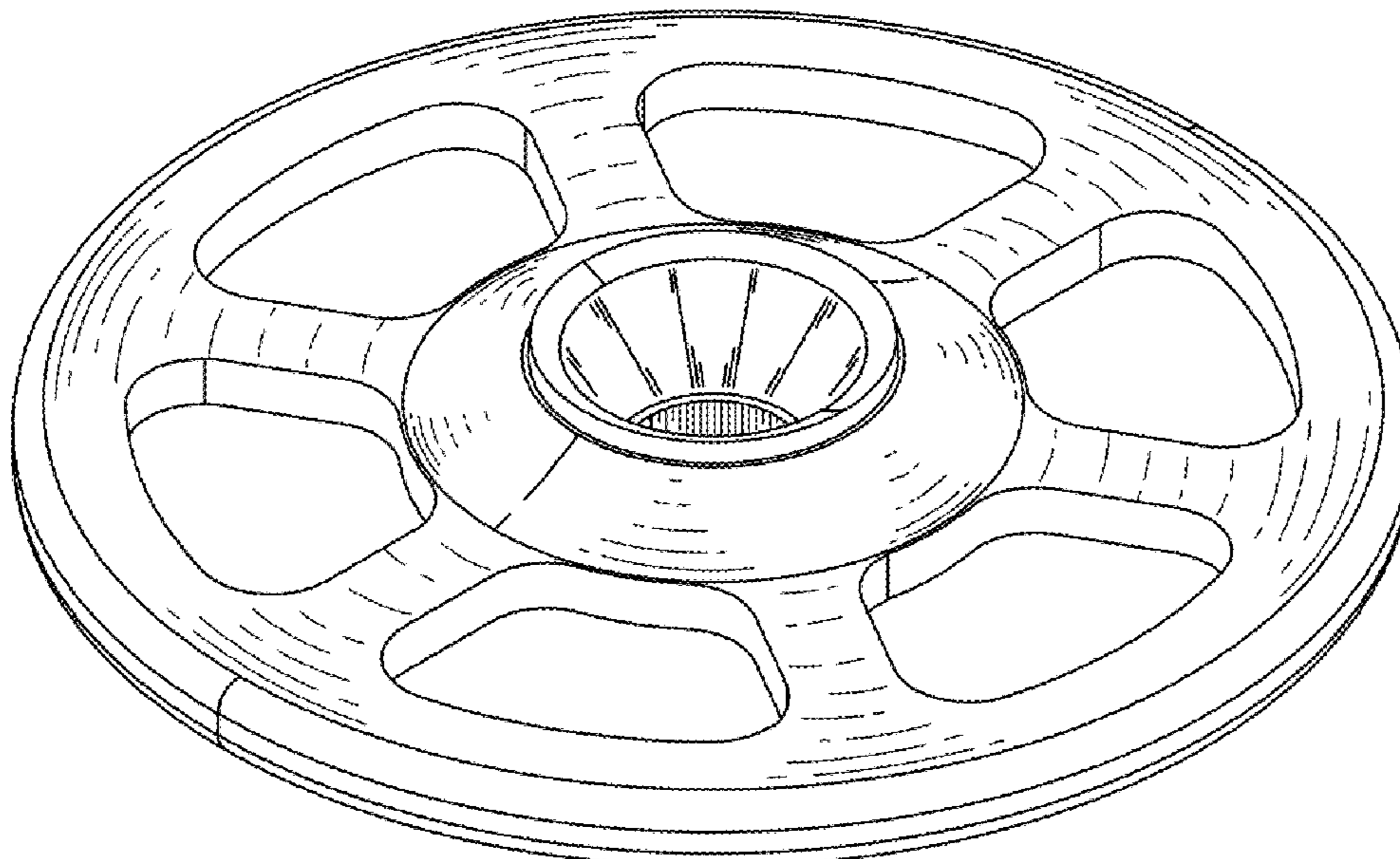
The ornamental design for a bearing plate for anchor, as shown and described.

**DESCRIPTION**

FIG. 1 is a top front right-side perspective view of a bearing plate for anchor, showing my new design;  
FIG. 2 is a bottom front right-side perspective view thereof;  
FIG. 3 is a front view thereof;  
FIG. 4 is a left-side view thereof;  
FIG. 5 is a top view thereof;  
FIG. 6 is a bottom view thereof; and,  
FIG. 7 is an environmental view thereof, shown in an in-use condition.

The broken lines showing in FIG. 7 represents the environment of the claimed design and forms no part thereof.

**1 Claim, 7 Drawing Sheets**



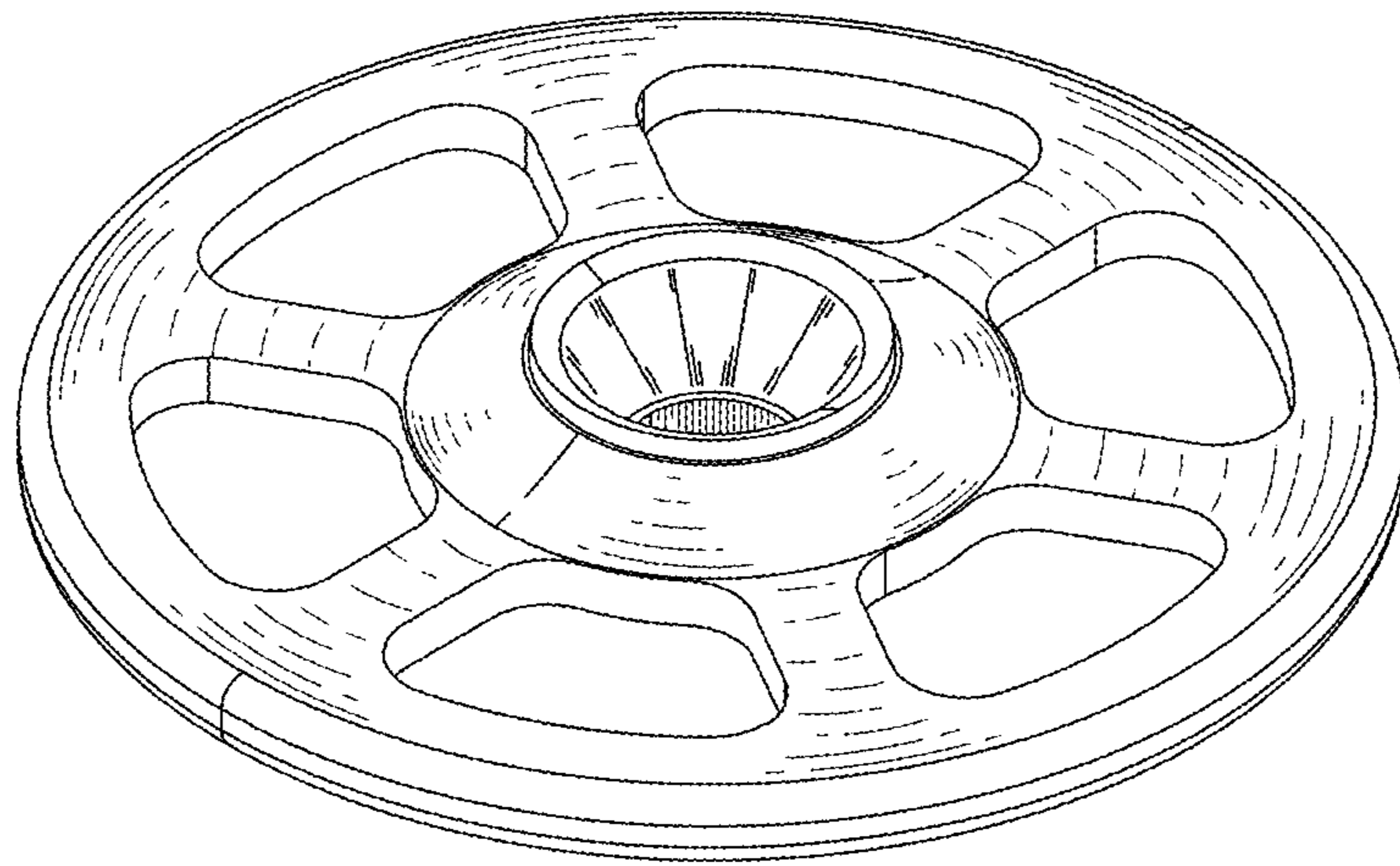
(56)

**References Cited**

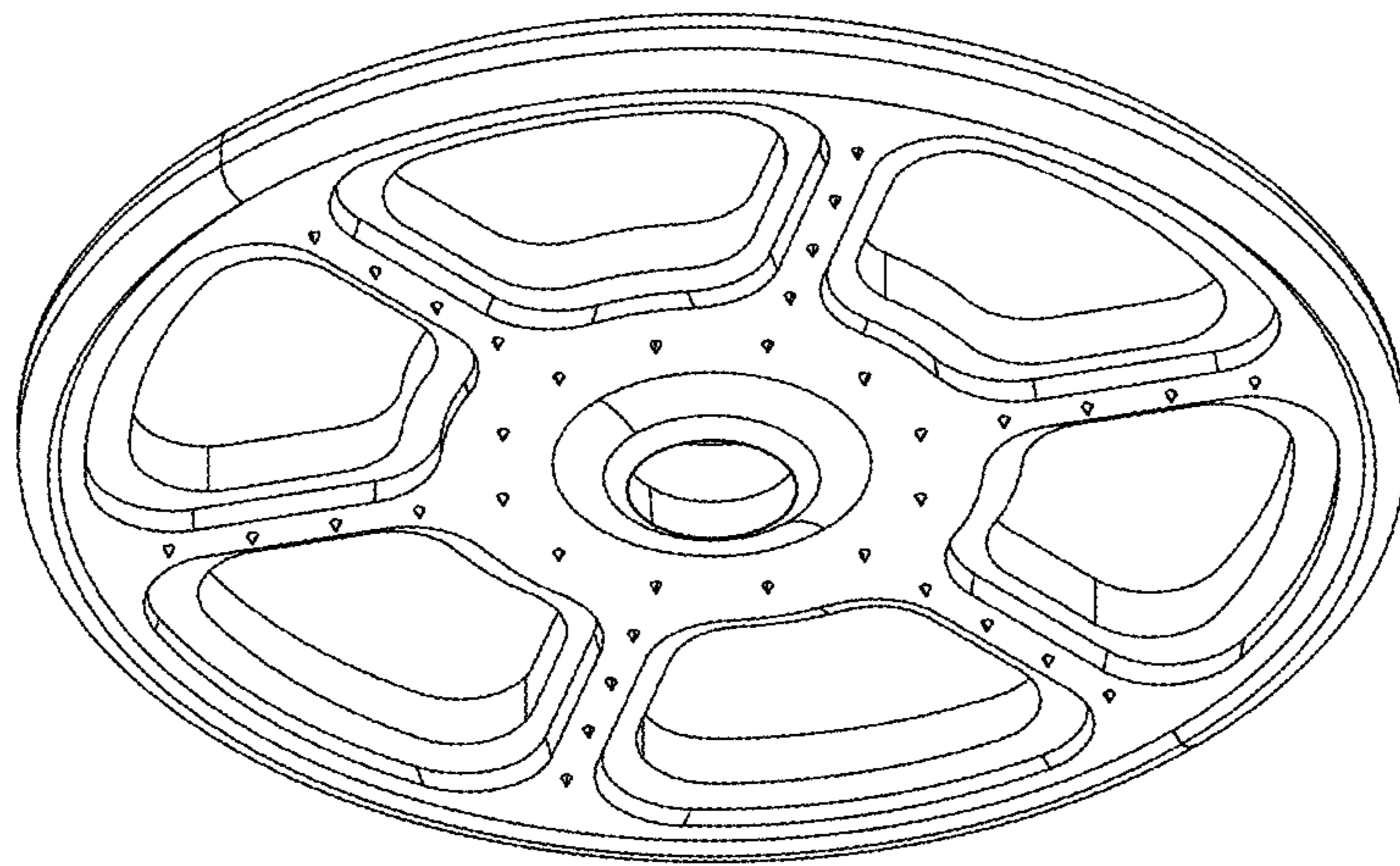
U.S. PATENT DOCUMENTS

2017/0251792 A1\* 9/2017 Brooks ..... E02D 5/801  
2022/0081862 A1\* 3/2022 de Fresart ..... H02S 20/32

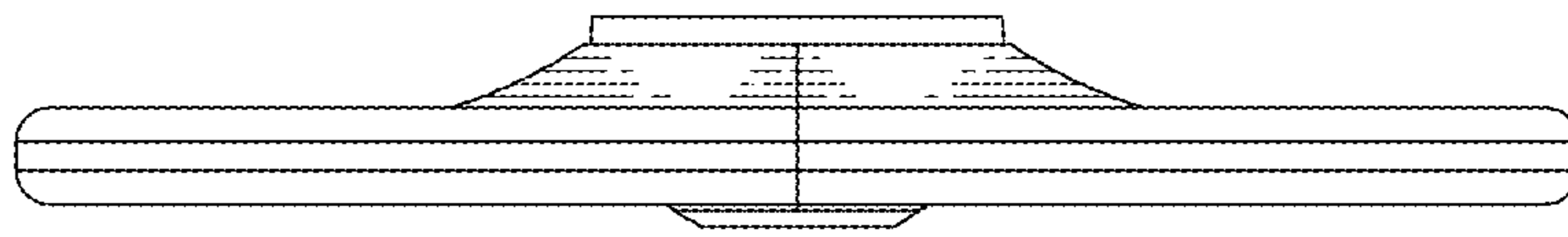
\* cited by examiner



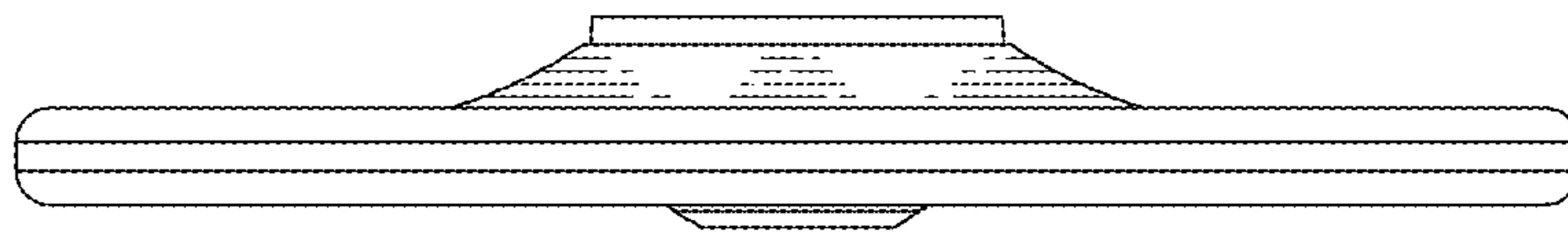
*FIG. 1*



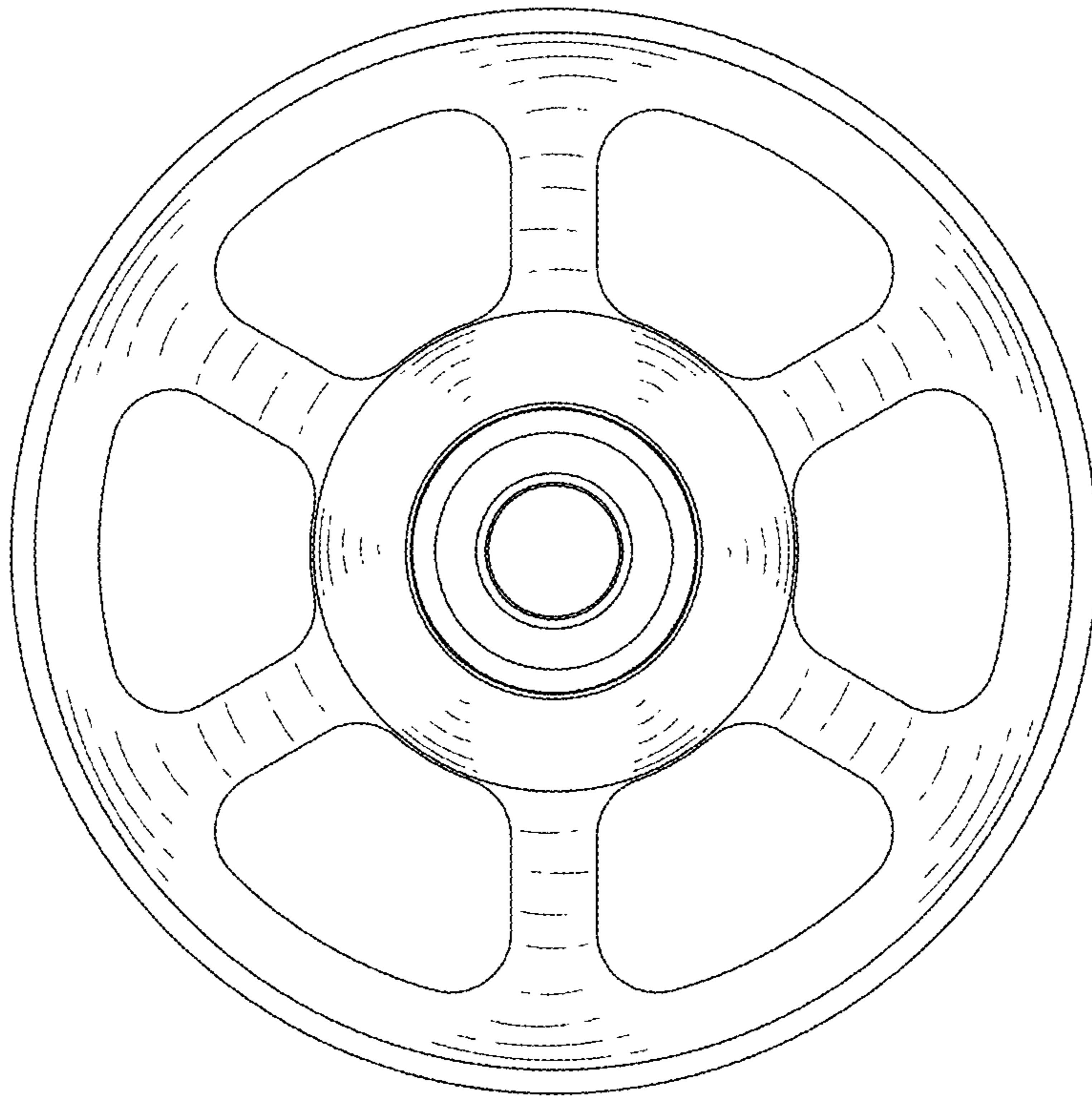
*FIG. 2*



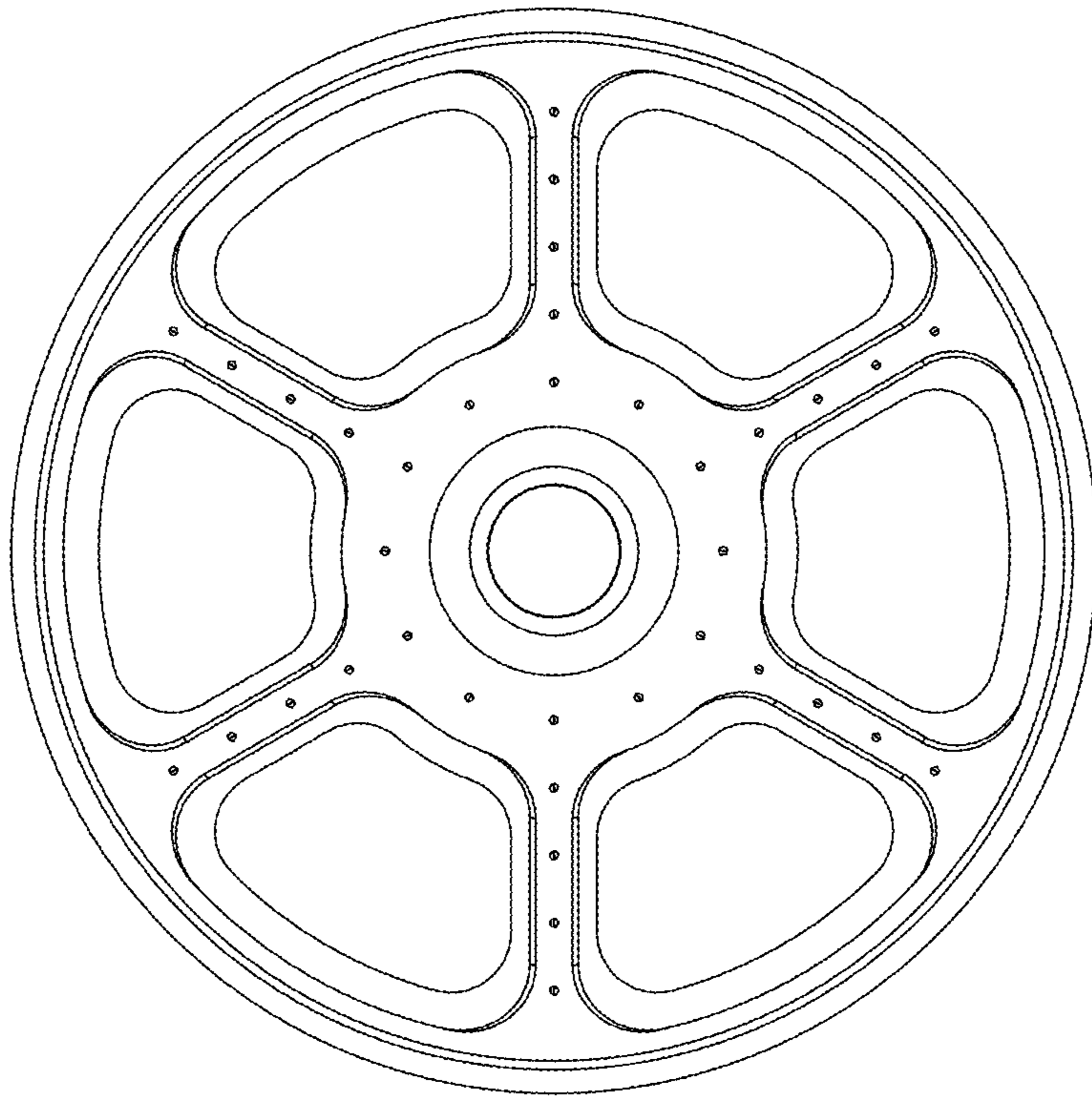
*FIG. 3*



*FIG. 4*

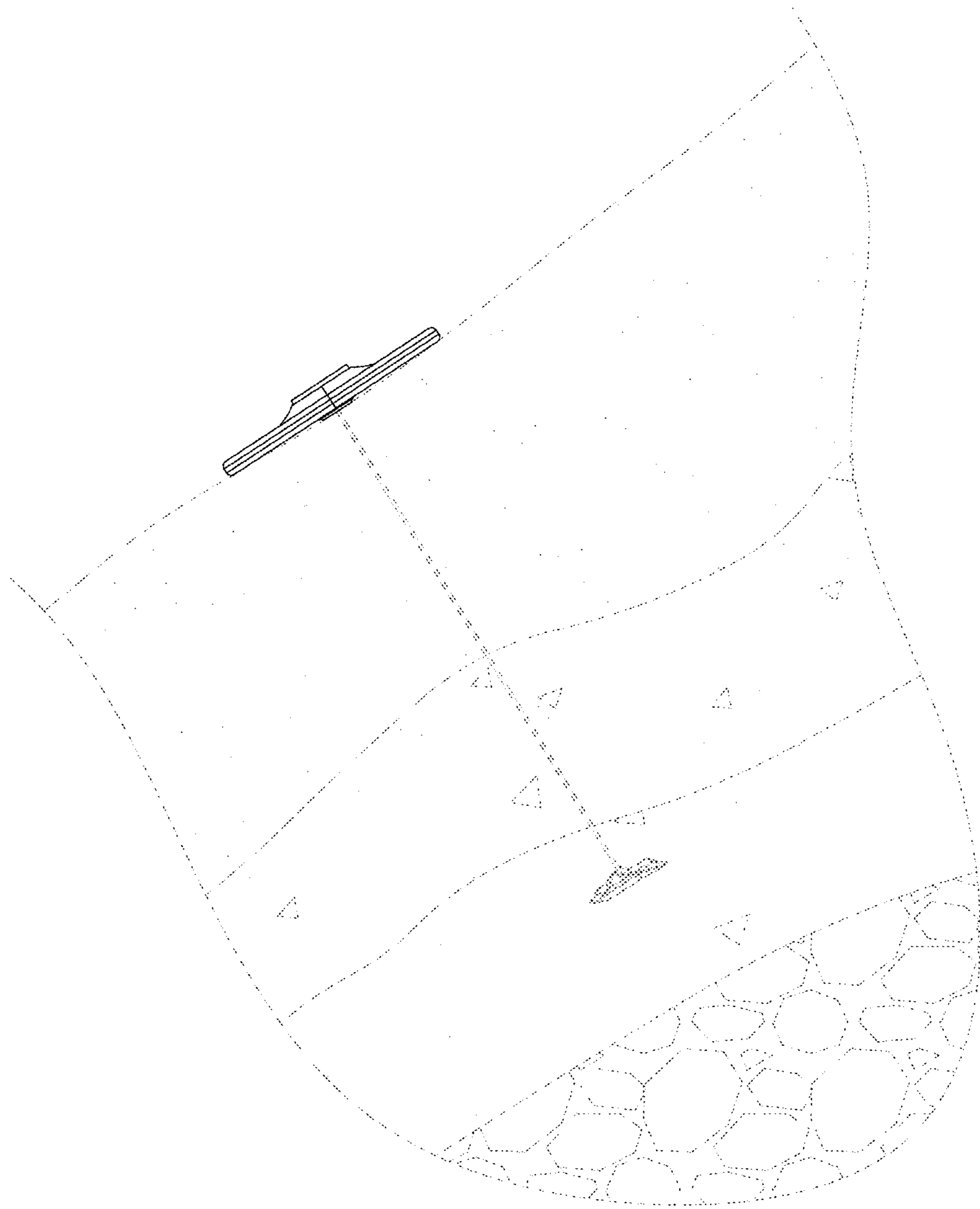


*FIG. 5*



*FIG. 6*





**FIG. 7**