



US00D974150S

(12) **United States Design Patent**  
**Chen**

(10) **Patent No.:** **US D974,150 S**

(45) **Date of Patent:** **\*\* Jan. 3, 2023**

(54) **ANCHOR HEAD**  
(71) Applicant: **Tsan-Jee Chen**, Taipei (TW)  
(72) Inventor: **Tsan-Jee Chen**, Taipei (TW)  
(\*\*) Term: **15 Years**

4,802,317 A \* 2/1989 Chandler ..... E02D 5/803  
52/166  
5,720,579 A \* 2/1998 Trangsrud ..... E02D 5/803  
52/155  
5,775,037 A \* 7/1998 James ..... E02D 5/803  
52/166  
D420,891 S \* 2/2000 Trangsrud ..... D8/354  
D572,546 S \* 7/2008 Stahm ..... E02D 5/803  
D8/1

(21) Appl. No.: **29/777,501**

(Continued)

(22) Filed: **Apr. 6, 2021**

FOREIGN PATENT DOCUMENTS

(51) **LOC (14) Cl.** ..... **08-05**

(52) **U.S. Cl.**  
USPC ..... **D8/354**

CN 300845742 \* 11/2008  
CN 306528618 \* 5/2021  
IN 321971-001-0001 \* 9/2020

(58) **Field of Classification Search**  
USPC ..... D8/1, 388, 399, 385, 354; D25/199;  
D30/154  
CPC ... E02D 5/80; E02D 5/805; E02D 2200/1671;  
E02D 2200/1635; E02D 2200/1628;  
E02D 2200/16; E02D 5/801; E02D 5/803;  
E05B 73/00; E05B 73/0094; A45F 3/44  
See application file for complete search history.

*Primary Examiner* — Sheryl Lane  
*Assistant Examiner* — Ieisha N Price  
(74) *Attorney, Agent, or Firm* — Chun-Ming Shih;  
Lanway IPR Services

(56) **References Cited**

U.S. PATENT DOCUMENTS

1,564,069 A \* 12/1925 Hoovens ..... H02G 13/40  
174/6  
2,002,628 A \* 5/1935 Chance ..... E02D 5/80  
52/166  
2,252,379 A \* 8/1941 Johns ..... E02D 5/803  
52/166  
2,490,465 A \* 12/1949 Ogburn ..... E02D 5/803  
52/164  
3,969,854 A \* 7/1976 Deike ..... E02D 5/803  
52/166  
4,044,513 A \* 8/1977 Deike ..... E02D 5/803  
405/259.5  
4,574,539 A \* 3/1986 Deike ..... E02D 5/803  
52/166  
D287,098 S \* 12/1986 Wilson ..... D8/356  
4,688,360 A \* 8/1987 Luong ..... E02D 5/803  
114/294

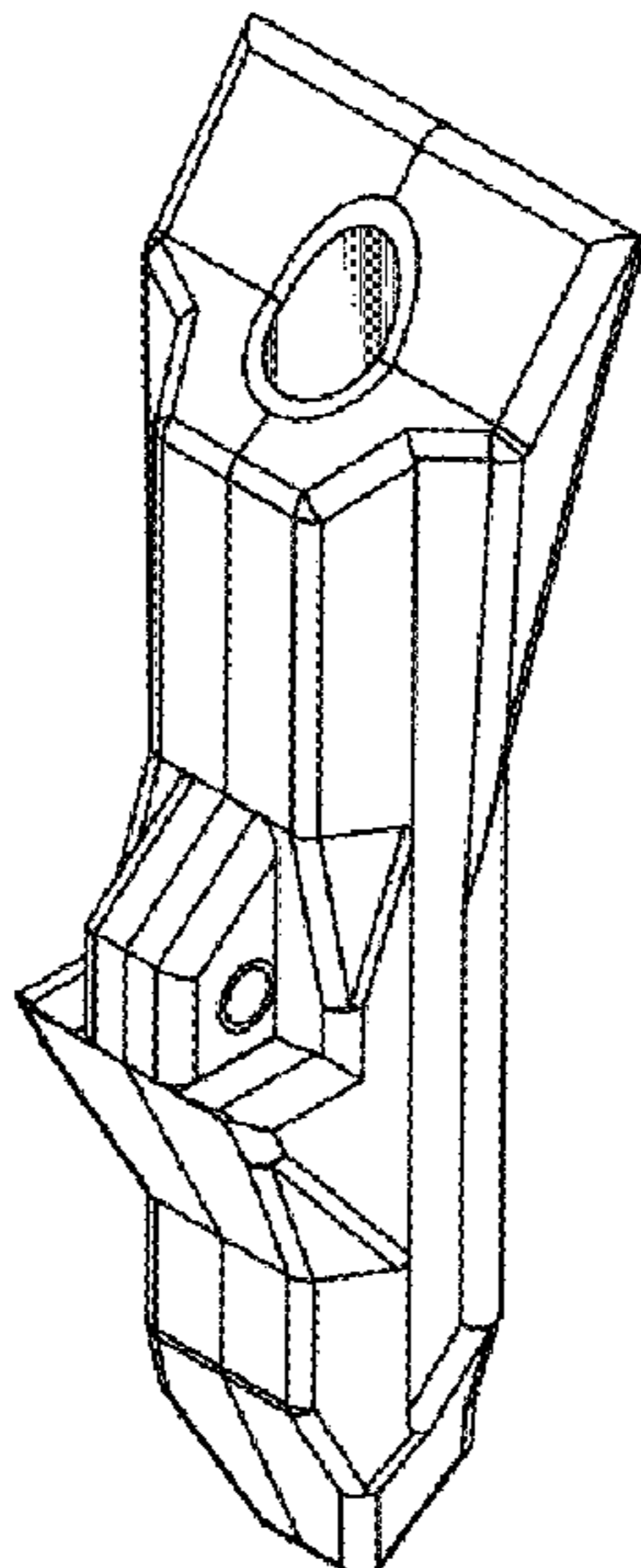
(57) **CLAIM**

The ornamental design for an anchor head, as shown and described.

**DESCRIPTION**

FIG. 1 is a top front right-side perspective view of an anchor head, showing my new design;  
FIG. 2 is a top rear right-side perspective view thereof;  
FIG. 3 is a front view thereof;  
FIG. 4 is a rear view thereof;  
FIG. 5 is a left-side view thereof;  
FIG. 6 is a top view thereof;  
FIG. 7 is a bottom view thereof; and,  
FIG. 8 is an environmental perspective view thereof, shown in an in-use condition.  
The broken lines showing in FIG. 8 represents the environment of the claimed design and forms no part thereof.

**1 Claim, 7 Drawing Sheets**



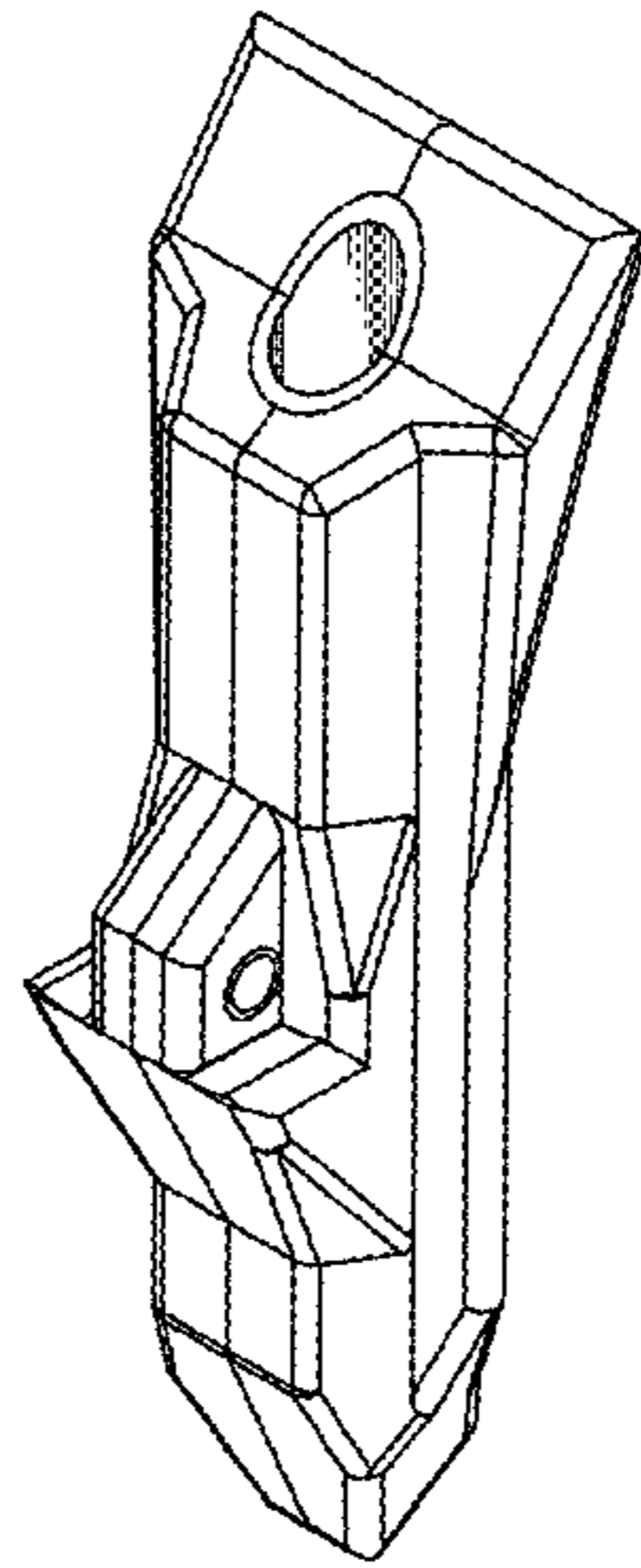
(56)

**References Cited**

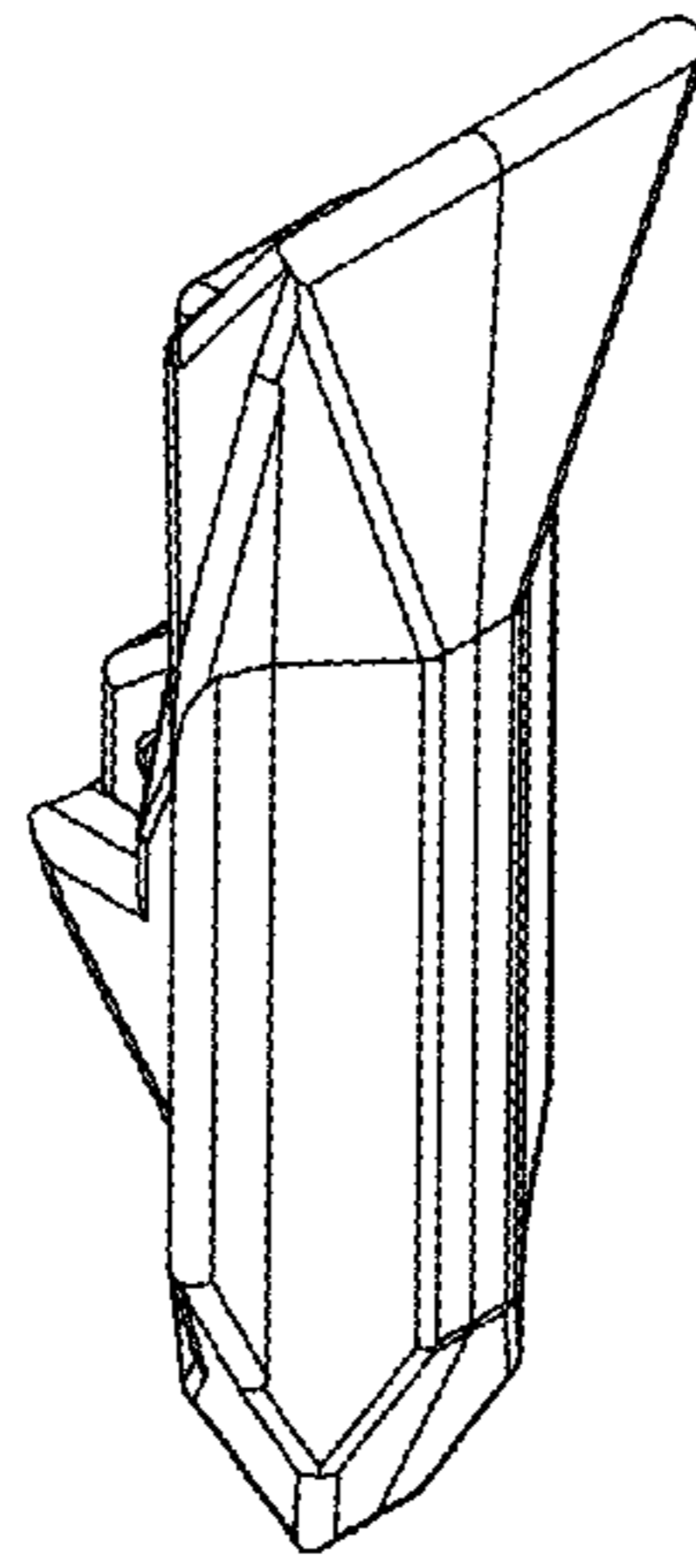
U.S. PATENT DOCUMENTS

8,651,771 B2 \* 2/2014 Schneider ..... E02D 17/202  
 405/259.1  
 9,049,819 B2 \* 6/2015 Chang ..... E02D 17/20  
 D745,699 S \* 12/2015 Clarke ..... D25/38.1  
 D759,473 S \* 6/2016 Zhou ..... D8/388  
 D783,742 S \* 4/2017 Adema ..... D21/699  
 2005/0150184 A1 \* 7/2005 Lagercrantz ..... E02D 5/803  
 52/698  
 2008/0282625 A1 \* 11/2008 Stahm ..... E02D 5/80  
 52/157  
 2009/0041548 A1 \* 2/2009 Stahm ..... E02D 5/803  
 405/259.1  
 2009/0041549 A1 \* 2/2009 Stahm ..... E02D 5/803  
 405/259.1  
 2010/0058680 A1 \* 3/2010 Agg ..... E02D 5/74  
 52/163  
 2013/0121772 A1 \* 5/2013 Karsten ..... E02D 5/803  
 405/259.1  
 2013/0136543 A1 \* 5/2013 Karsten ..... E02D 5/80  
 405/232  
 2014/0037387 A1 \* 2/2014 Ferreira ..... F16G 11/108  
 405/259.1  
 2016/0102442 A1 \* 4/2016 Somerfield ..... E02D 5/803  
 52/163  
 2017/0058480 A1 \* 3/2017 Hermans ..... E02D 5/803  
 2017/0089025 A1 \* 3/2017 Chilson ..... E02D 5/803  
 2017/0190387 A1 \* 7/2017 Betcher ..... B63B 22/04  
 2022/0081862 A1 \* 3/2022 de Fresart ..... H02S 20/32

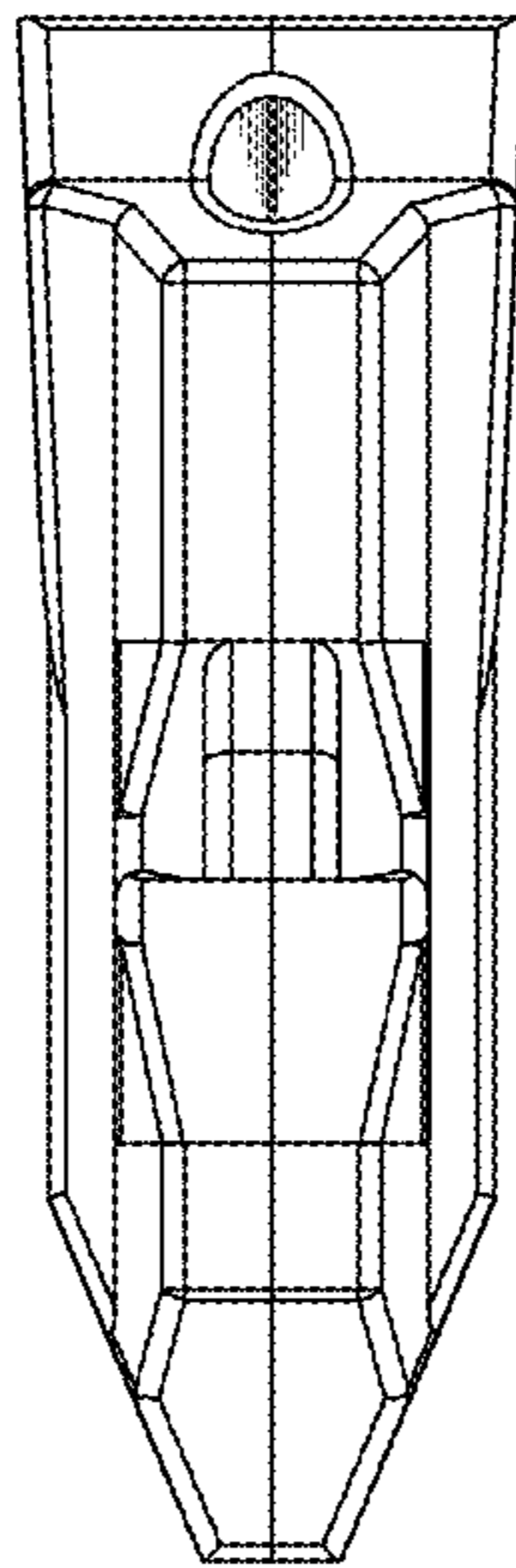
\* cited by examiner



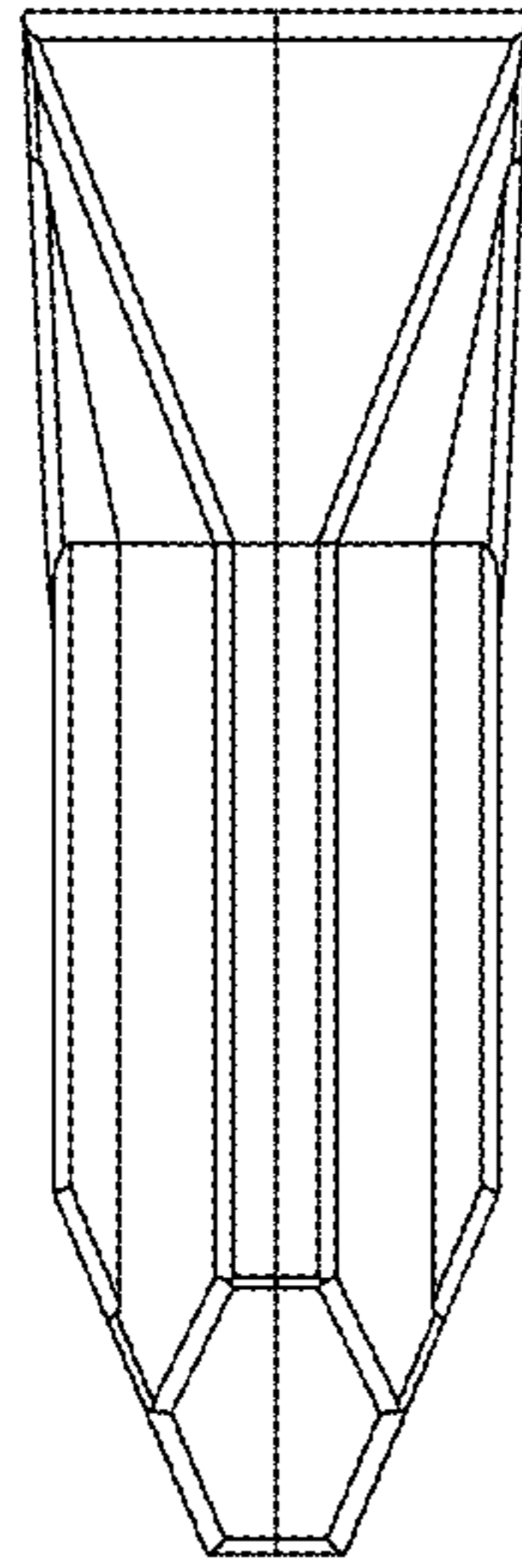
*FIG. 1*



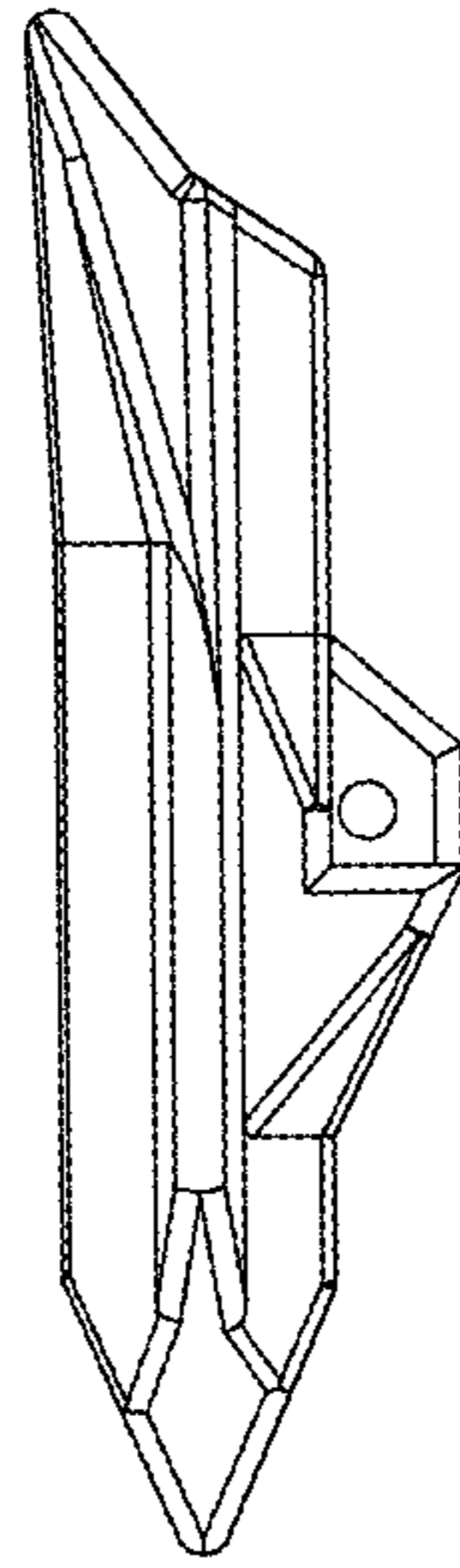
*FIG. 2*



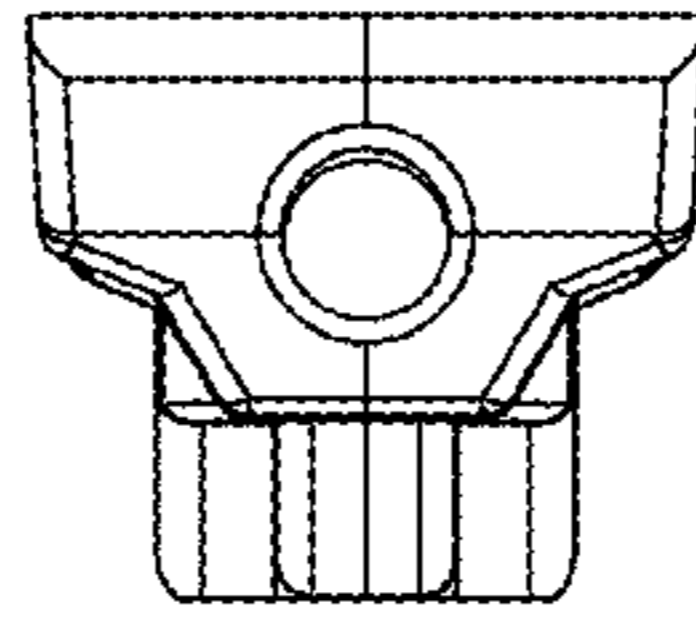
*FIG. 3*



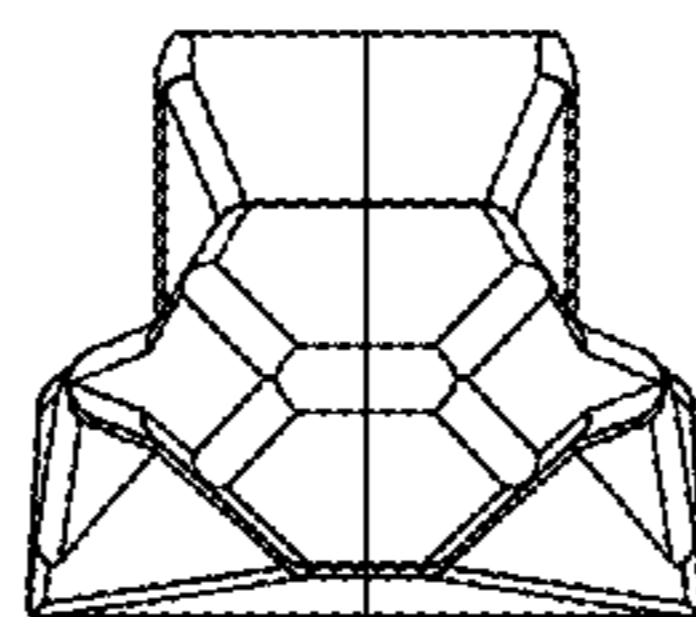
*FIG. 4*



*FIG. 5*

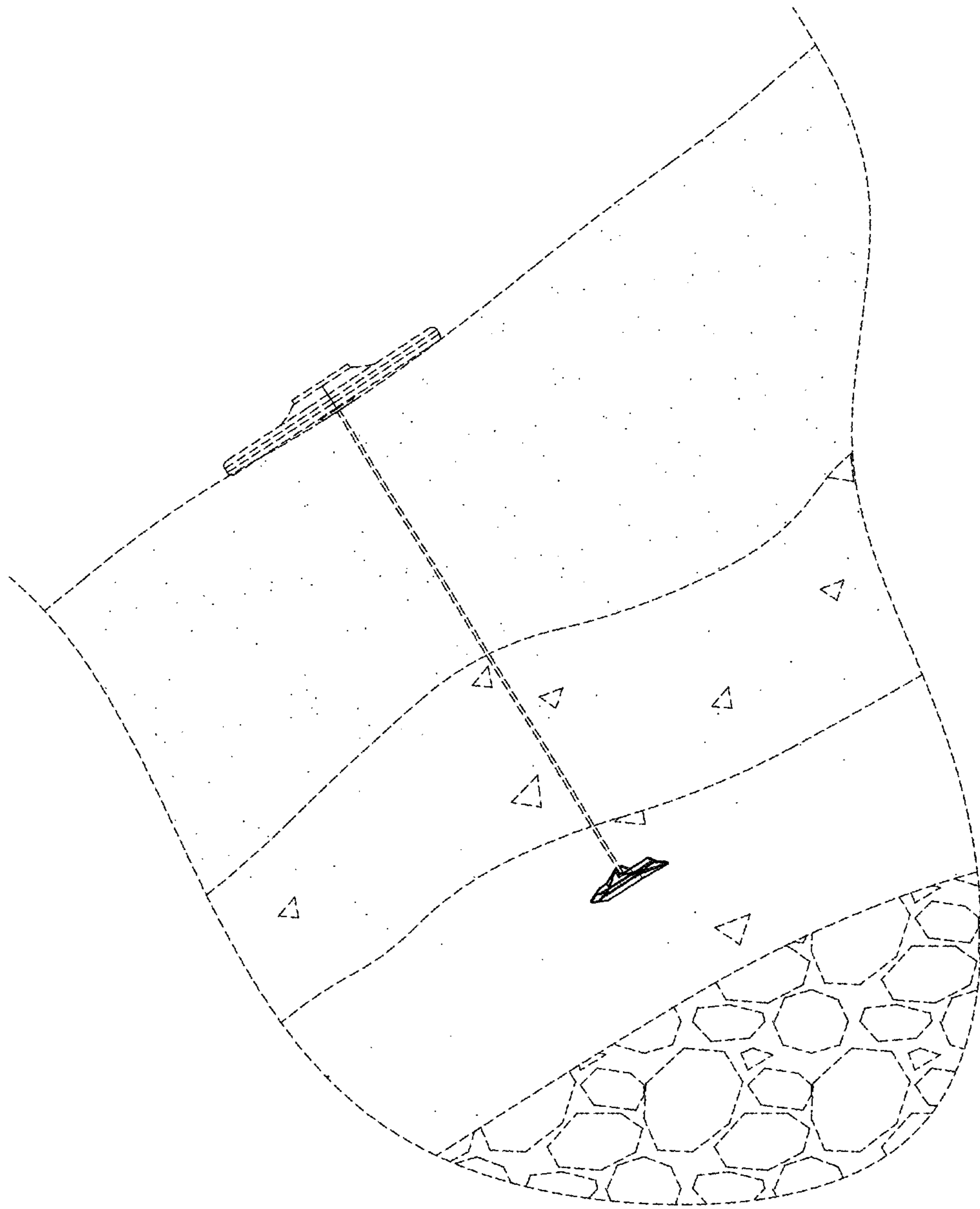


*FIG. 6*



*FIG. 7*





*FIG. 8*