



US00D974149S

(12) **United States Design Patent**
Gosling et al.

(10) **Patent No.:** **US D974,149 S**
(45) **Date of Patent:** **** Jan. 3, 2023**

(54) **CEILING HANGER**
(71) Applicant: **DIRTT Environmental Solutions, Ltd., Calgary (CA)**
(72) Inventors: **Geoff W. Gosling, Calgary (CA); Thomas A. Brown, Calgary (CA)**
(73) Assignee: **DIRTT ENVIRONMENTAL SOLUTIONS LTD., Calgary (CA)**

D537,325 S * 2/2007 Wolff D8/381
D537,326 S * 2/2007 Wolff D8/381
D584,941 S * 1/2009 Broehl D8/377
D629,215 S * 12/2010 Burkman A47F 7/144
D661,746 S * 6/2012 Baldursson D6/300
D703,762 S * 4/2014 Baldursson D20/44
D749,404 S * 2/2016 White D20/44
G09F 7/18
D8/380

(Continued)

(**) Term: **15 Years**
(21) Appl. No.: **29/709,689**

FOREIGN PATENT DOCUMENTS

GB 8209670000-1000 * 3/2020
KR 300486705.0000 * 4/2008

(Continued)

(22) Filed: **Oct. 16, 2019**
(51) **LOC (14) Cl.** **08-05**
(52) **U.S. Cl.**
USPC **D8/354**
(58) **Field of Classification Search**
USPC D8/354, 349, 353, 363, 382; D20/43;
D6/328; D15/28; D25/68
CPC E05D 15/0652; E05Y 2201/11; E05Y
2600/41; G01D 11/30; F16B 2/08; F15B
15/2892; H01R 11/11; F16L 23/036
See application file for complete search history.

OTHER PUBLICATIONS

Office Action received for Canadian Patent Application No. 195653, dated Mar. 22, 2022, 2 pages.

Primary Examiner — Leanne Was-Englehart
(74) *Attorney, Agent, or Firm* — Workman Nydegger

(57) **CLAIM**

The ornamental design for a ceiling hanger, as shown and described.

(56) **References Cited**

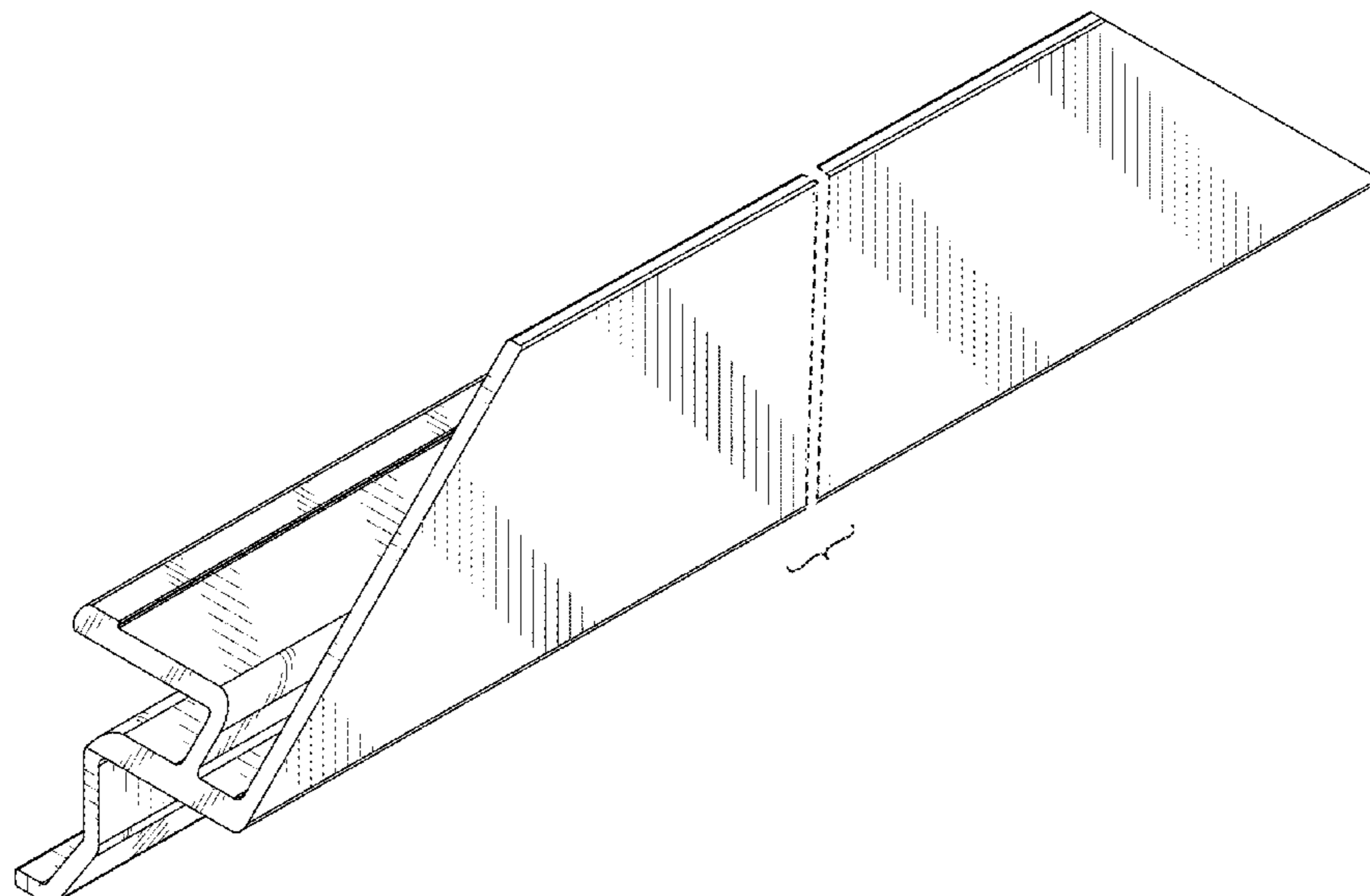
DESCRIPTION

U.S. PATENT DOCUMENTS

D198,471 S * 6/1964 Rankin D8/381
D201,673 S * 7/1965 Stevens D25/119
D202,779 S * 11/1965 Rosenbaum D8/377
D266,143 S * 9/1982 Smith D8/377
D270,188 S * 8/1983 Whitehouse D25/119
4,825,529 A * 5/1989 Sawada A47G 1/101
29/897.3
D322,255 S * 12/1991 Prados D8/380
D344,423 S * 2/1994 Pate D25/119
D357,407 S * 4/1995 Pate D8/381
D417,607 S * 12/1999 Vining D25/119
D459,981 S * 7/2002 Betts D25/119
D506,125 S * 6/2005 Munson D8/373

FIG. 1 is a top, front perspective view of a ceiling hanger showing our new design;
FIG. 2 is a front elevational view thereof;
FIG. 3 is a back elevational view thereof;
FIG. 4 is a right side elevational view thereof;
FIG. 5 is a left side elevational view thereof;
FIG. 6 is a top plan view thereof; and,
FIG. 7 is a bottom plan view thereof.
The drawings contain a symbolic break. The portion between the break lines forms no part of the claimed design.

1 Claim, 5 Drawing Sheets



(56)

References Cited

U.S. PATENT DOCUMENTS

D751,375 S * 3/2016 White D8/380
 D754,543 S * 4/2016 Donadee D9/455
 D755,041 S * 5/2016 Weldon D8/377
 D790,079 S * 6/2017 Singh D25/119
 D794,833 S * 8/2017 Singh D25/119
 D796,579 S * 9/2017 Souhala D20/43
 D834,928 S * 12/2018 Lu D8/381
 D856,784 S * 8/2019 Zeilinger A47F 7/144
 D861,196 S * 9/2019 Apanovich D25/164
 D875,222 S * 2/2020 Gori D23/267
 D875,898 S * 2/2020 Gori D23/267
 10,575,662 B2 * 3/2020 Lomax A47G 1/02
 10,648,613 B1 * 5/2020 Anonen F16M 11/045
 D890,085 S * 7/2020 Baird D13/102
 10,702,078 B1 * 7/2020 Walker G09F 3/208
 D905,283 S * 12/2020 Hay, III E05F 1/046
 D25/119

D911,558 S * 2/2021 McKinley E05D 13/00
 D25/119
 D936,459 S * 11/2021 Gosling D8/354
 2015/0211275 A1 * 7/2015 Terno F16M 13/02
 16/93 R
 2015/0211276 A1 * 7/2015 Gabriel E05D 13/00
 49/456
 2018/0058121 A1 * 3/2018 Ishii E05F 1/046
 2018/0274277 A1 * 9/2018 Chang E05D 15/063
 2018/0335078 A1 * 11/2018 Andersson F16C 29/005
 2019/0023537 A1 * 1/2019 Rasanen B66B 13/08
 2019/0112854 A1 * 4/2019 Haab E05D 15/0652
 2020/0224471 A1 * 7/2020 Dreisewerd E05D 3/14
 2020/0366076 A1 * 11/2020 Naugler F16B 2/22
 2021/0115716 A1 * 4/2021 Watanabe B64C 1/1461

FOREIGN PATENT DOCUMENTS

KR 300921500.0000 * 9/2017
 WO D207933-001 * 5/2020
 WO WOD207933-001 * 5/2020
 WO WOD209670-001 * 8/2020

* cited by examiner

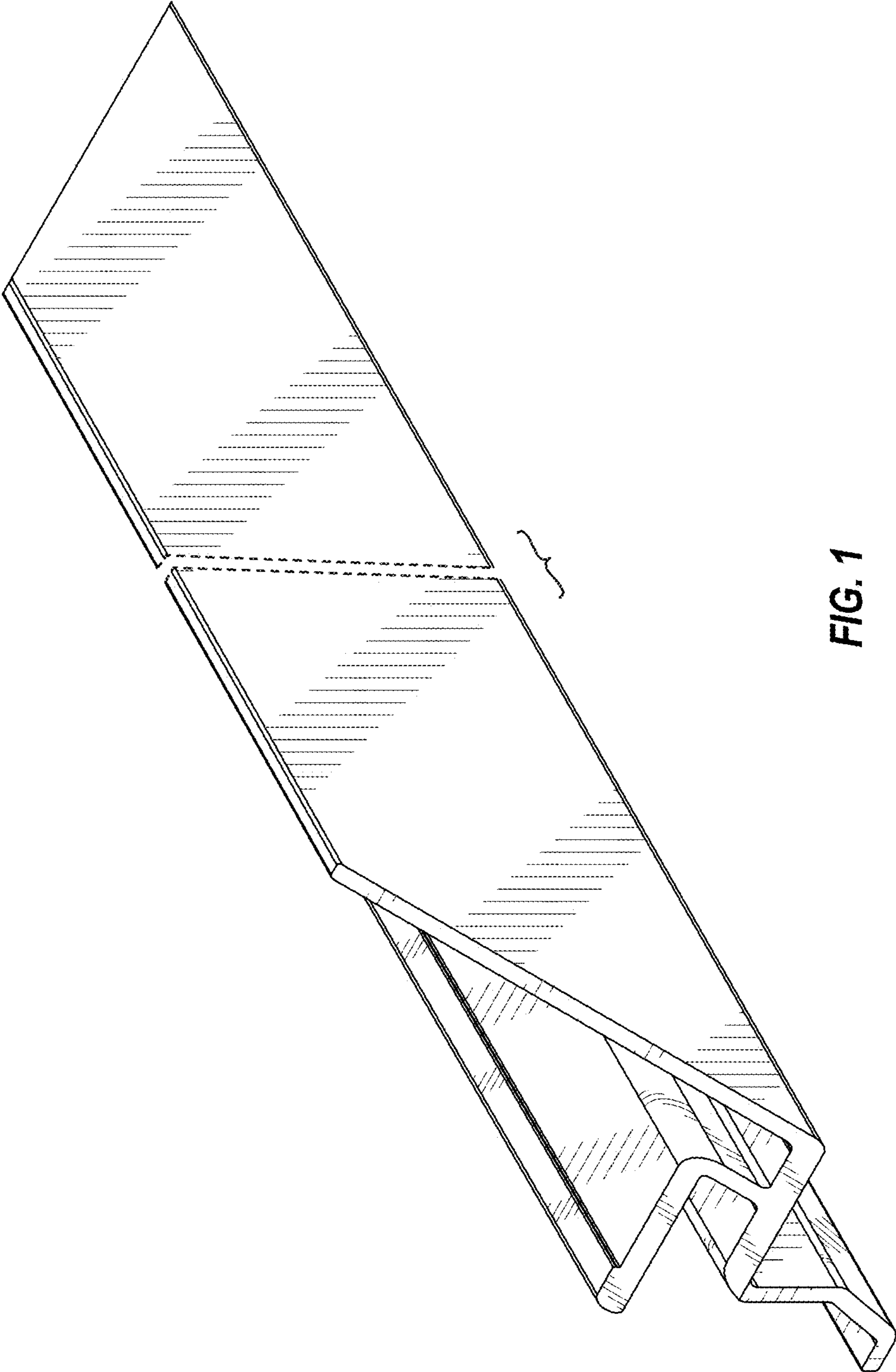


FIG. 1

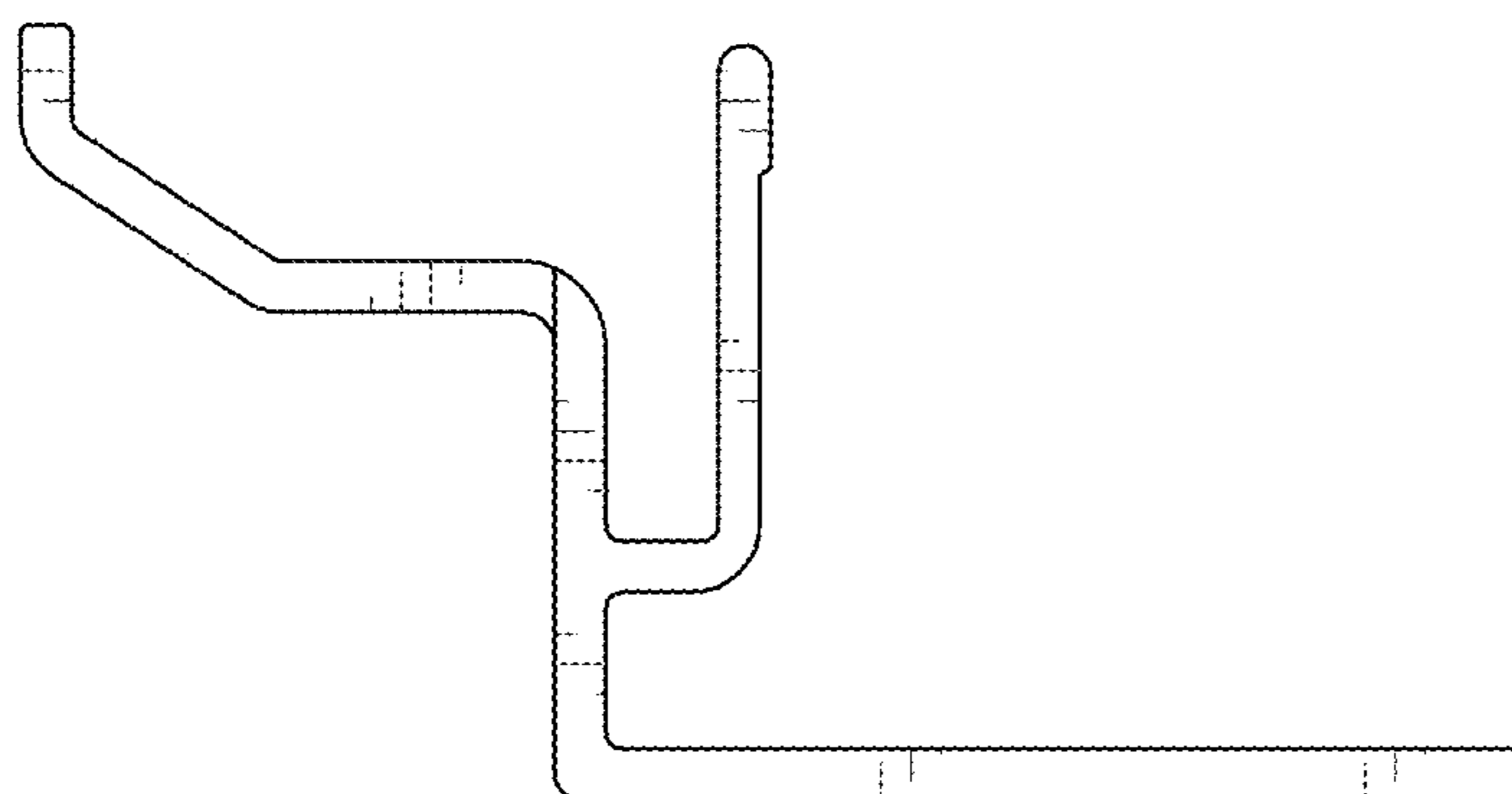


FIG. 2

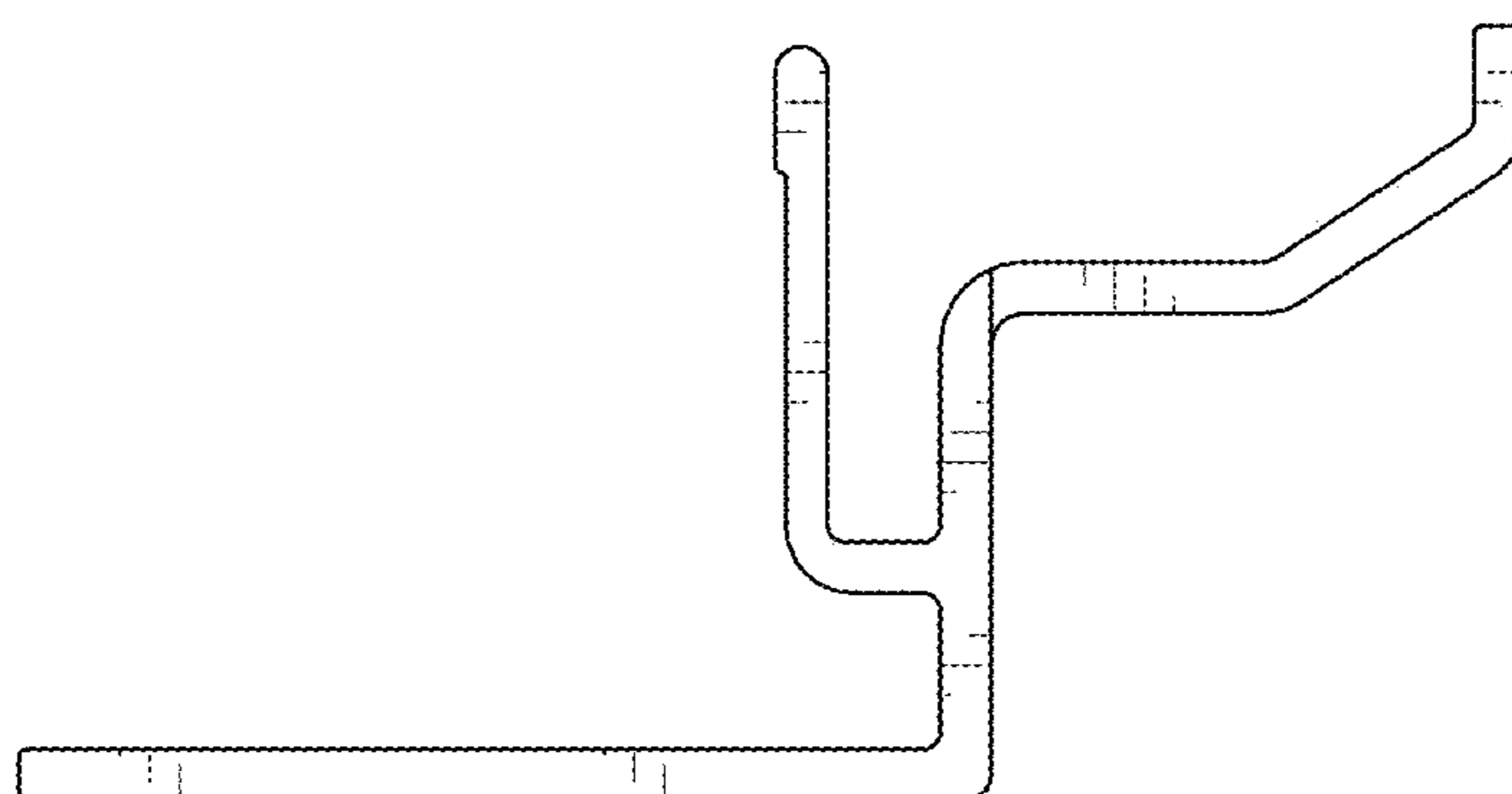


FIG. 3

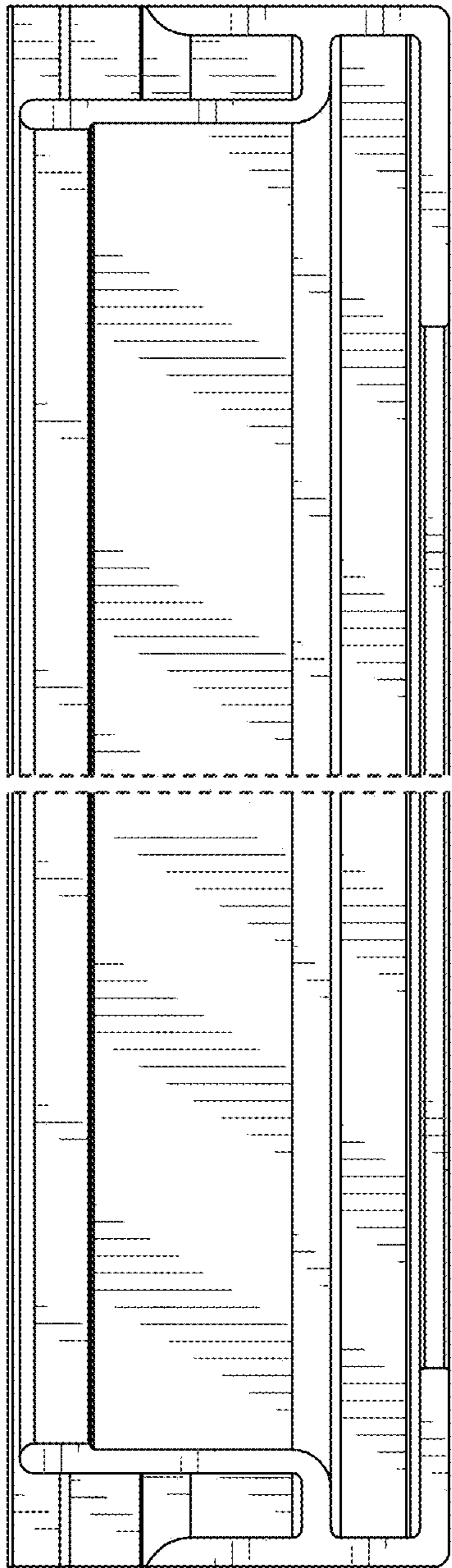


FIG. 4

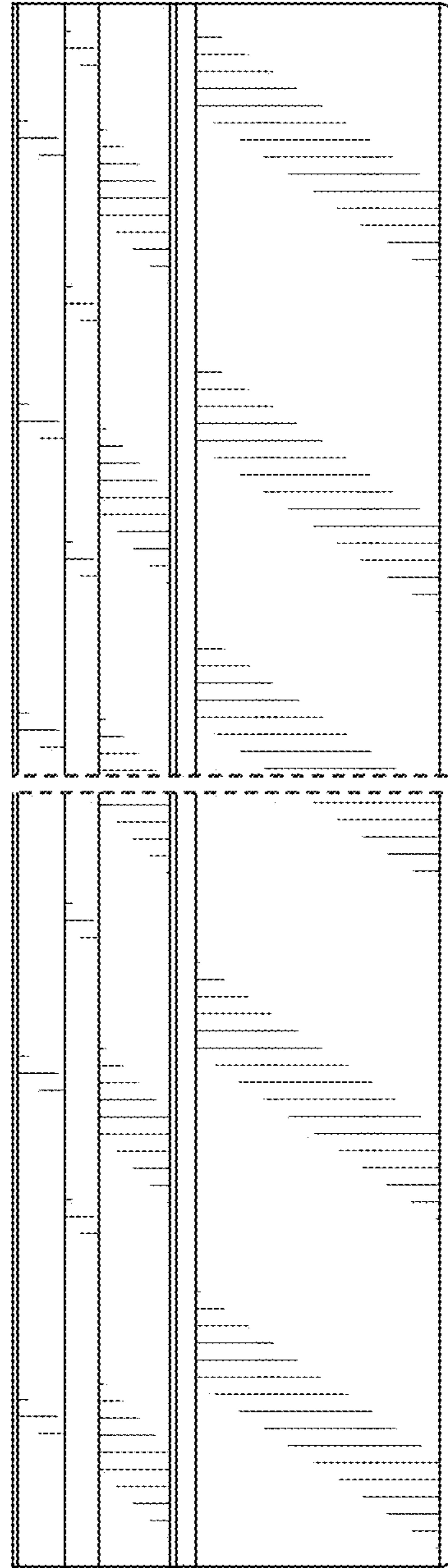


FIG. 5

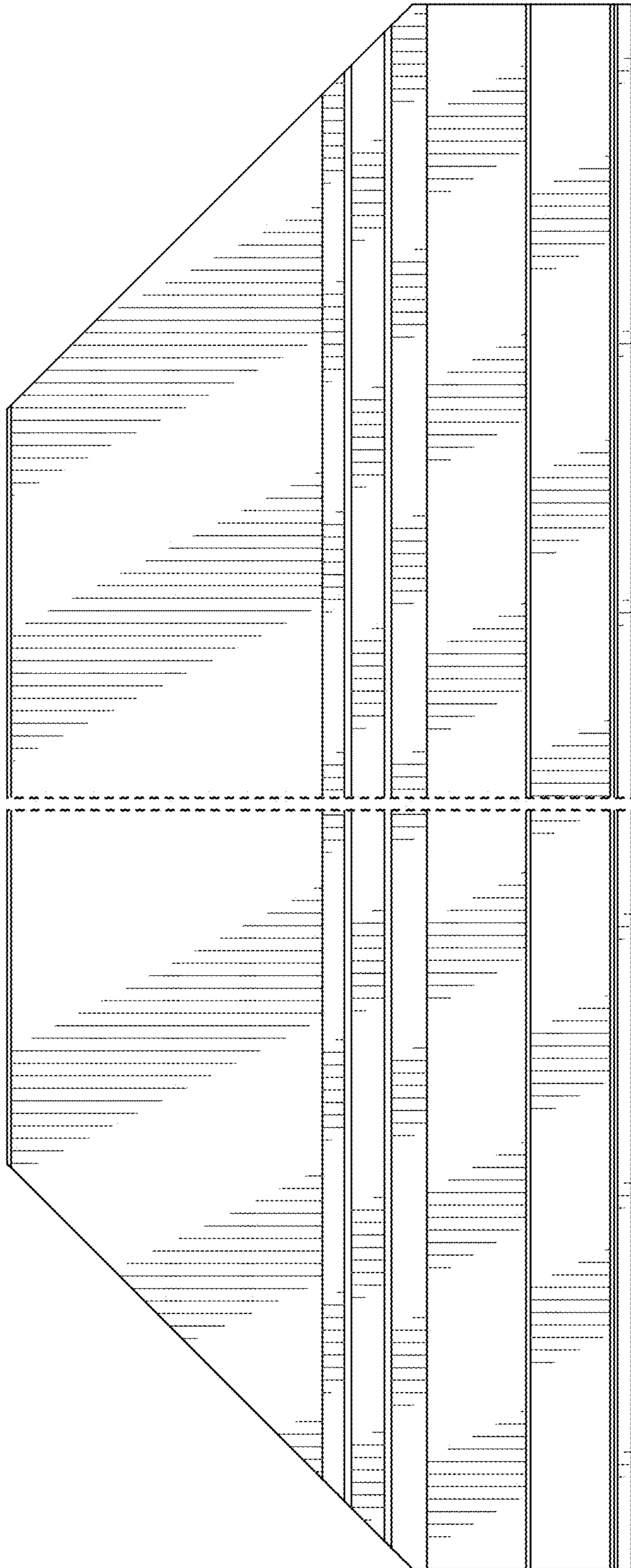


FIG. 6

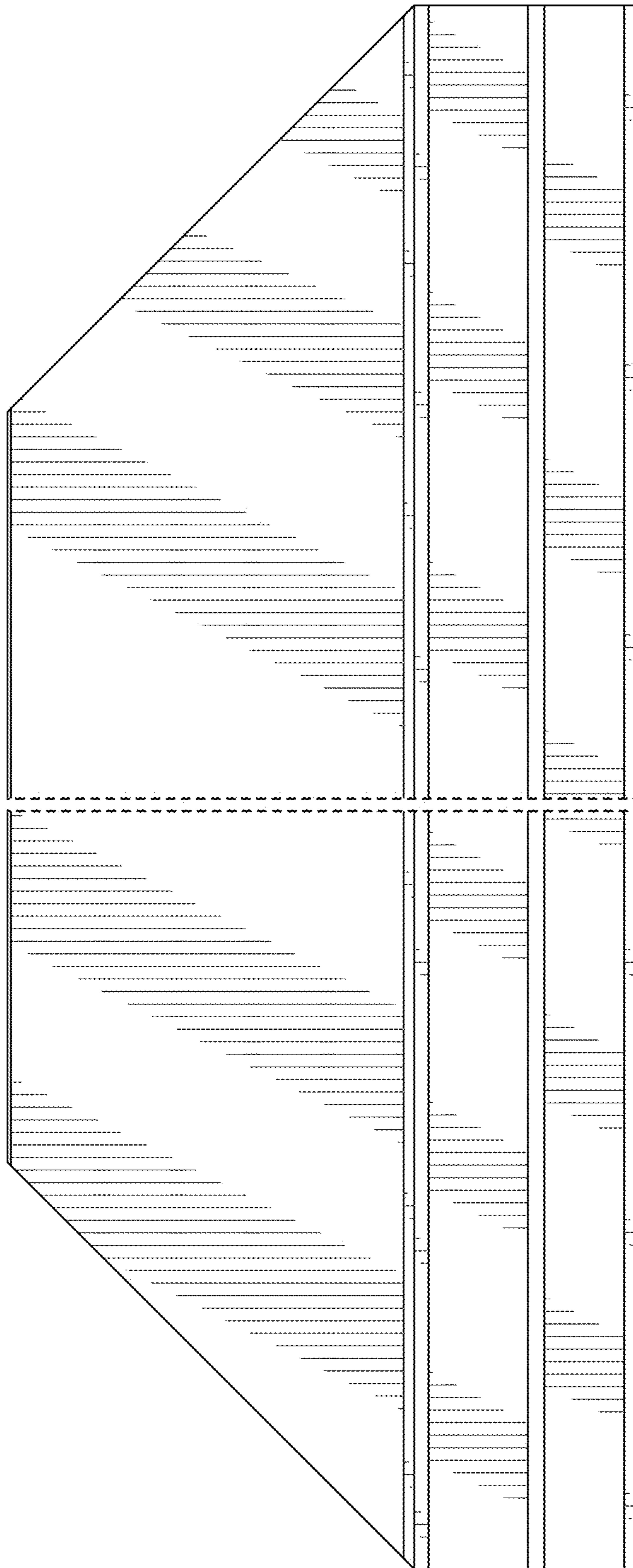


FIG. 7