



US00D974146S

(12) **United States Design Patent** (10) **Patent No.:** **US D974,146 S**
Hu (45) **Date of Patent:** **** Jan. 3, 2023**

(54) **CABINET PULL HANDLE**
(71) Applicant: **Xiaodan Hu**, Zhejiang (CN)
(72) Inventor: **Xiaodan Hu**, Zhejiang (CN)
(**) Term: **15 Years**
(21) Appl. No.: **29/854,793**
(22) Filed: **Sep. 28, 2022**
(30) **Foreign Application Priority Data**

Sep. 16, 2022 (CN) 202230614586.6
(51) **LOC (14) Cl.** **08-06**
(52) **U.S. Cl.**
USPC **D8/307**
(58) **Field of Classification Search**
USPC D8/300, 307, 310; D7/393; D23/250,
D23/252, 254
CPC ... Y10T 292/57; Y10T 16/469; Y10T 292/82;
Y10T 74/2084; Y10T 292/85; Y10T
16/458; Y10T 16/506; Y10T 70/5155;
Y10T 16/46; Y10T 16/4559; Y10T
74/20828; Y10T 70/8541; Y10T
74/20612; Y10T 16/459; Y10T 16/487;
Y10T 70/5389; Y10T 16/462; Y10T
16/4636; E05B 1/0007; E05B 3/00; Y10S
16/30; Y10S 292/53; Y10S 292/27
See application file for complete search history.

(56) **References Cited**
U.S. PATENT DOCUMENTS
2,796,627 A * 6/1957 Heyer E05B 1/0015
411/959
D268,515 S * 4/1983 Thompson D23/254

5,255,413 A * 10/1993 Sabo E05B 1/0015
16/DIG. 30
D378,269 S * 3/1997 Doughty D23/250
D551,934 S * 10/2007 Krumpe D8/310
D580,733 S * 11/2008 Hanes D8/305
D606,381 S * 12/2009 Menzies D8/307
D638,274 S * 5/2011 Owens D8/307
D638,275 S * 5/2011 Owens D8/307
D708,040 S * 7/2014 Han A47B 95/02
D8/307
D786,648 S * 5/2017 Zimmer D8/307
D918,693 S 5/2021 Livengood et al.
D962,741 S 9/2022 Cai

* cited by examiner
Primary Examiner — Lauren R Calve
(74) *Attorney, Agent, or Firm* — ScienBiziP, P.C.

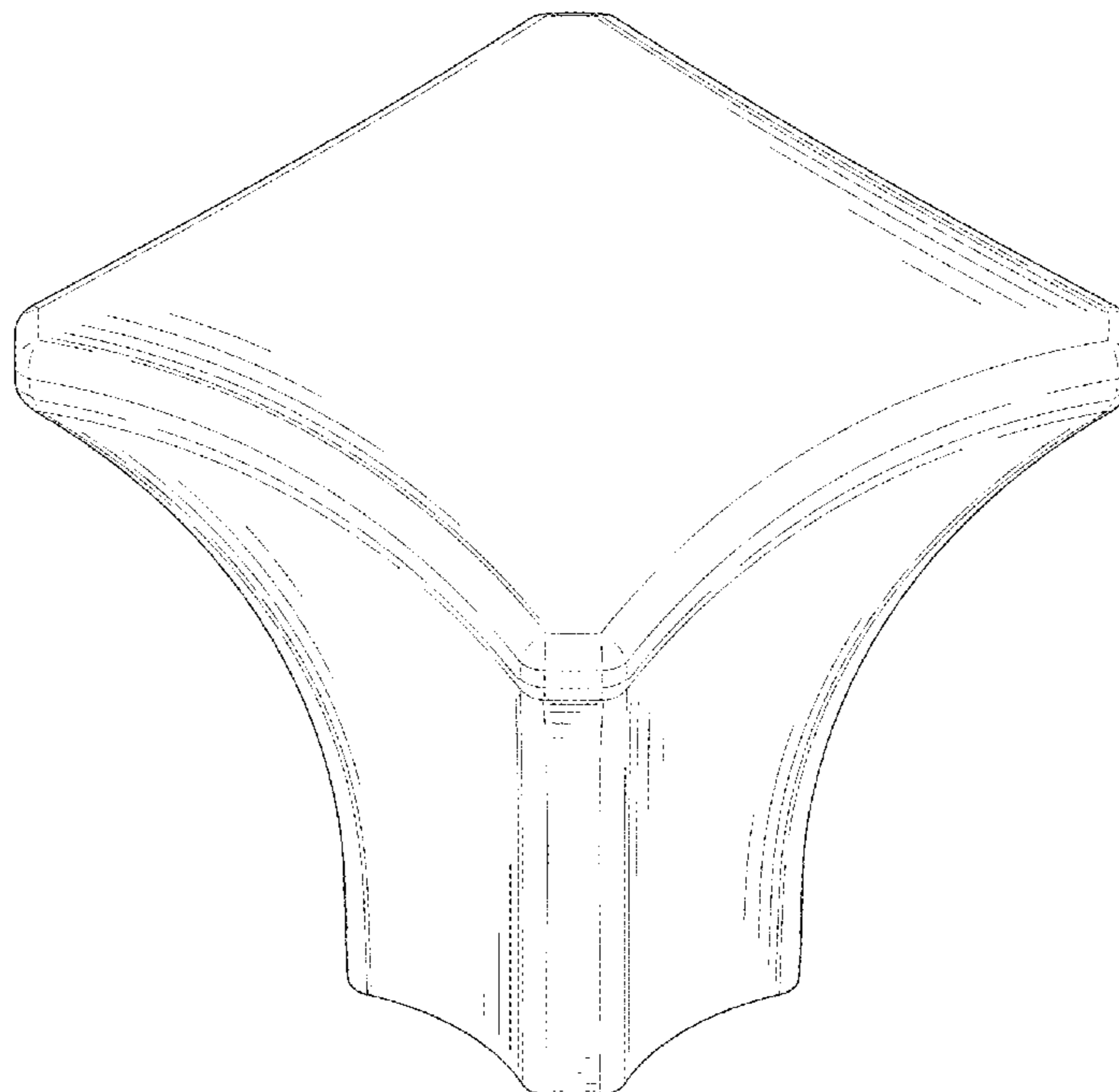
(57) **CLAIM**

The ornamental design for a cabinet pull handle, as shown and described.

DESCRIPTION

FIG. 1 is a front, right and top perspective view of a cabinet pull handle, showing my design.
FIG. 2 is a rear, left and bottom perspective view thereof.
FIG. 3 is a front elevation view thereof.
FIG. 4 is a rear elevation view thereof.
FIG. 5 is a left side elevation view thereof.
FIG. 6 is a right side elevation view thereof.
FIG. 7 is a top plan view thereof; and,
FIG. 8 is a bottom plan view thereof.
The broken lines depict portions of the cabinet pull handle that form no part of the claimed design.

1 Claim, 8 Drawing Sheets



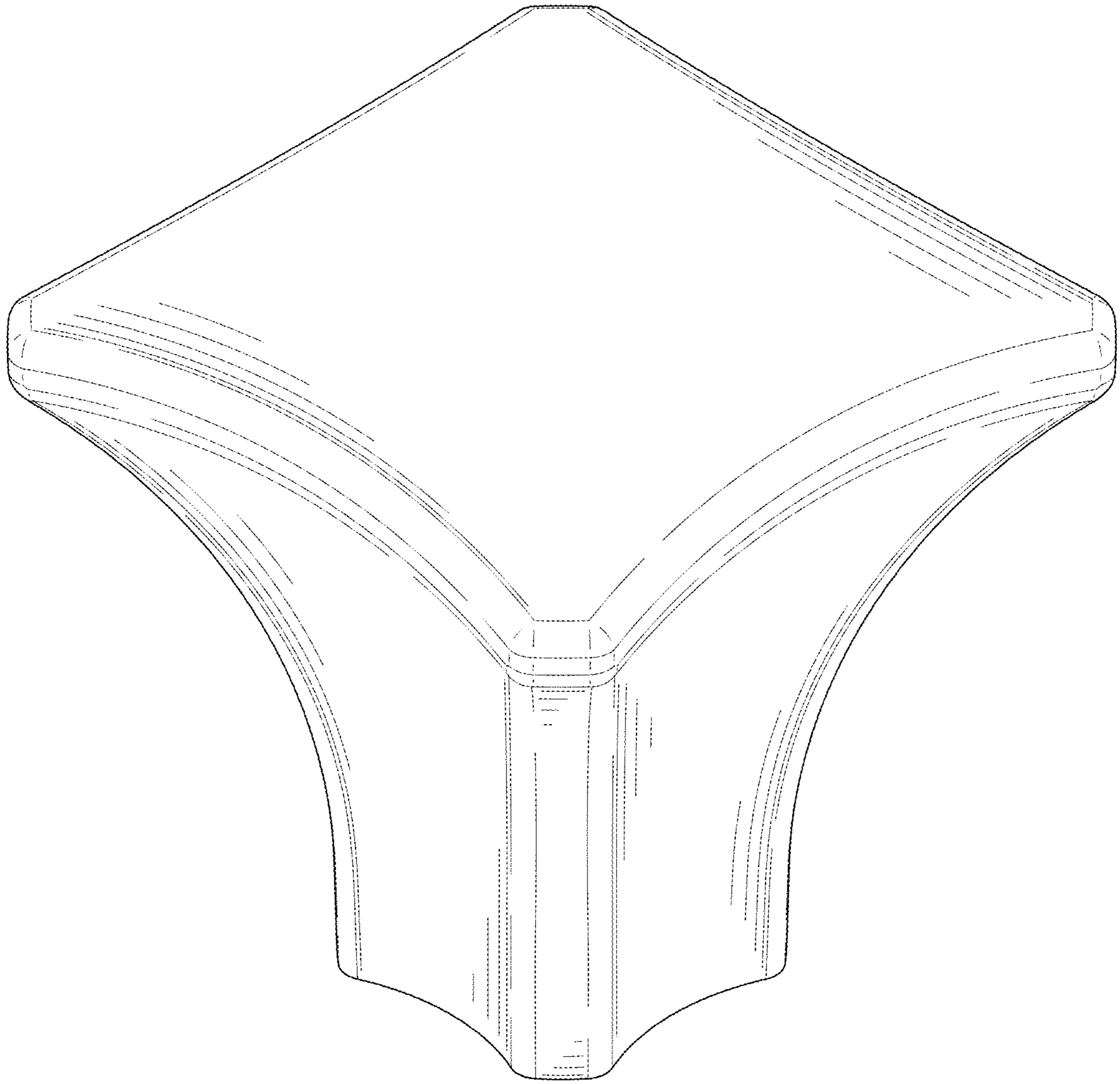


FIG. 1

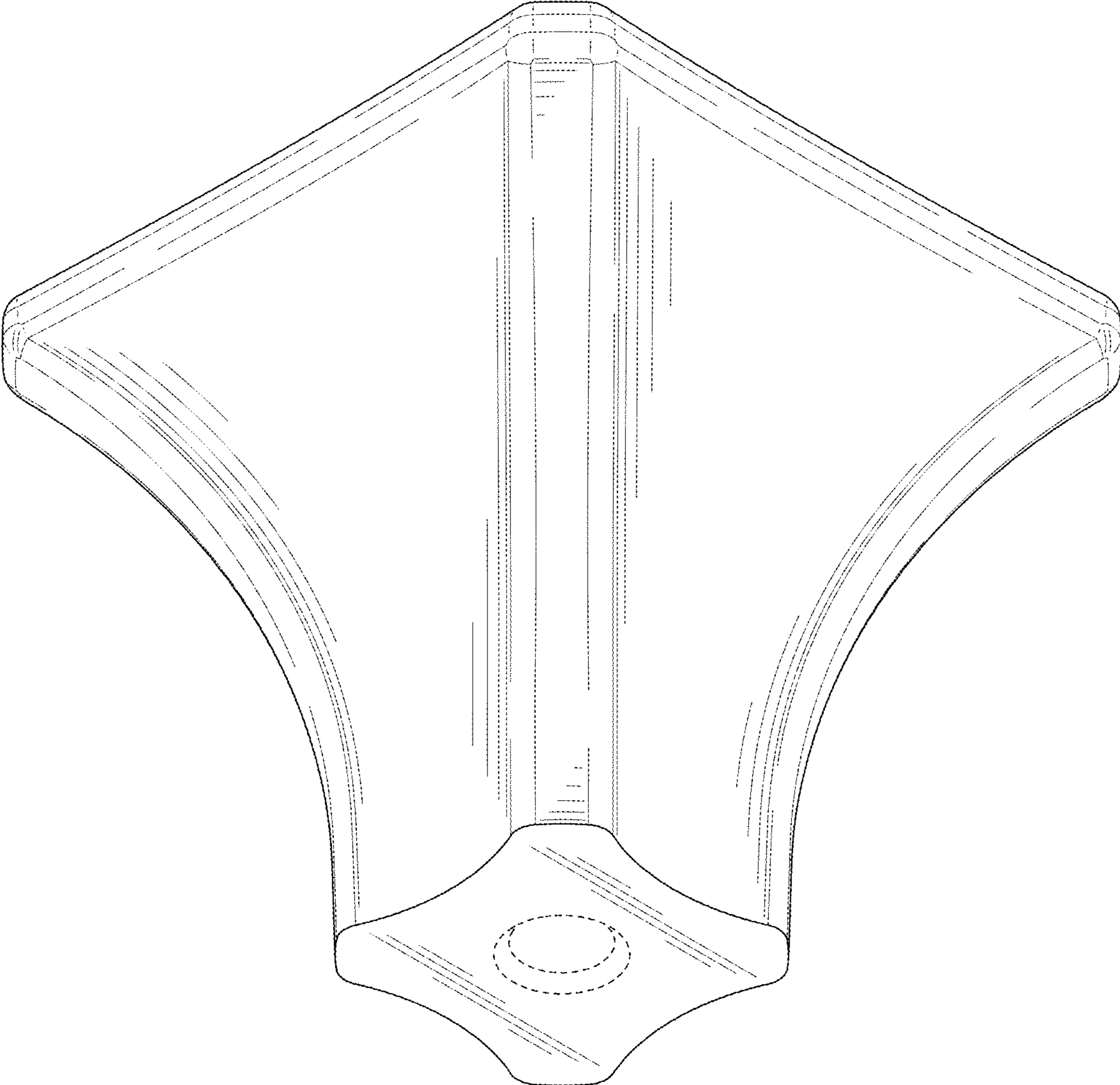


FIG. 2

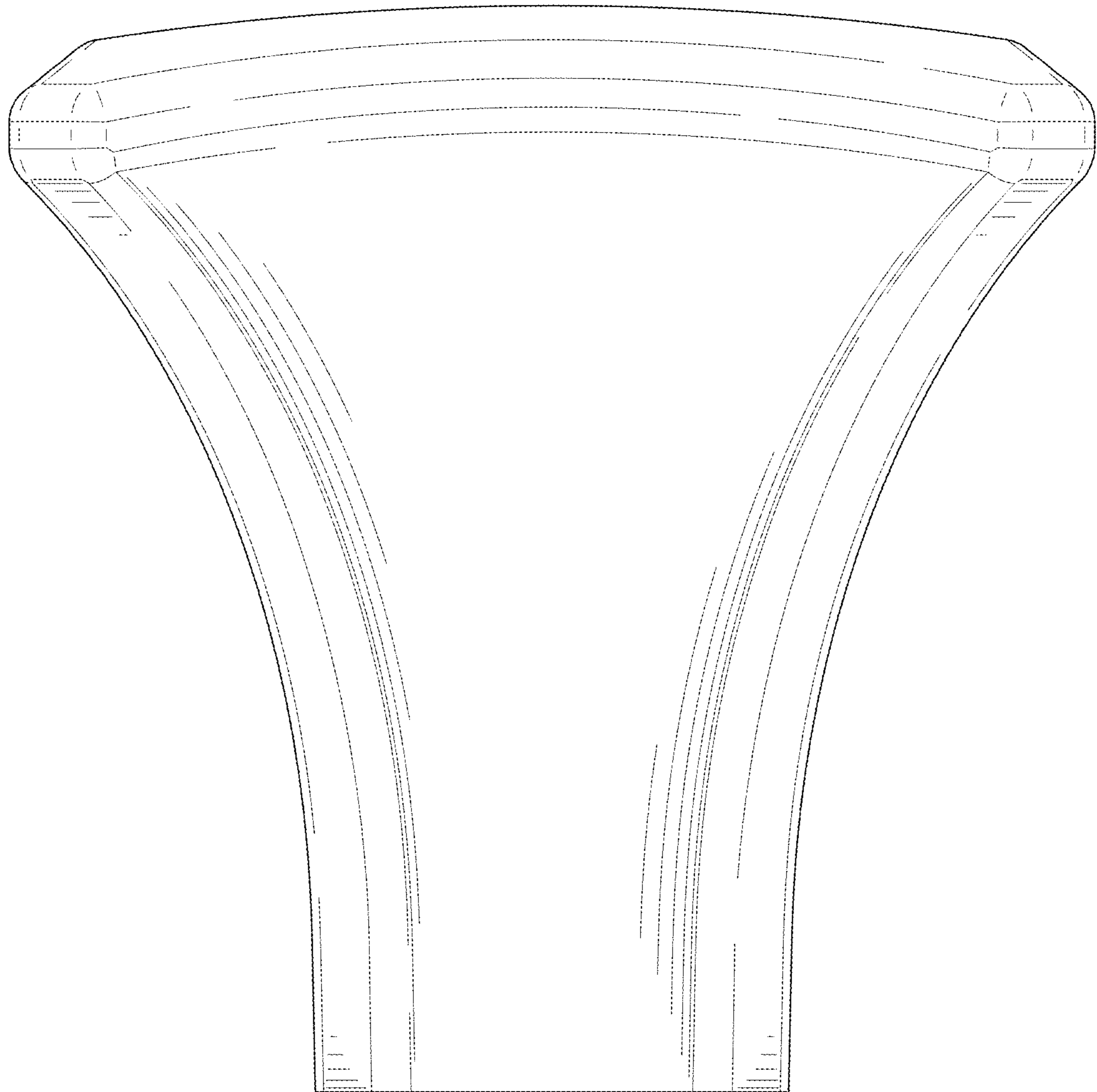


FIG. 3

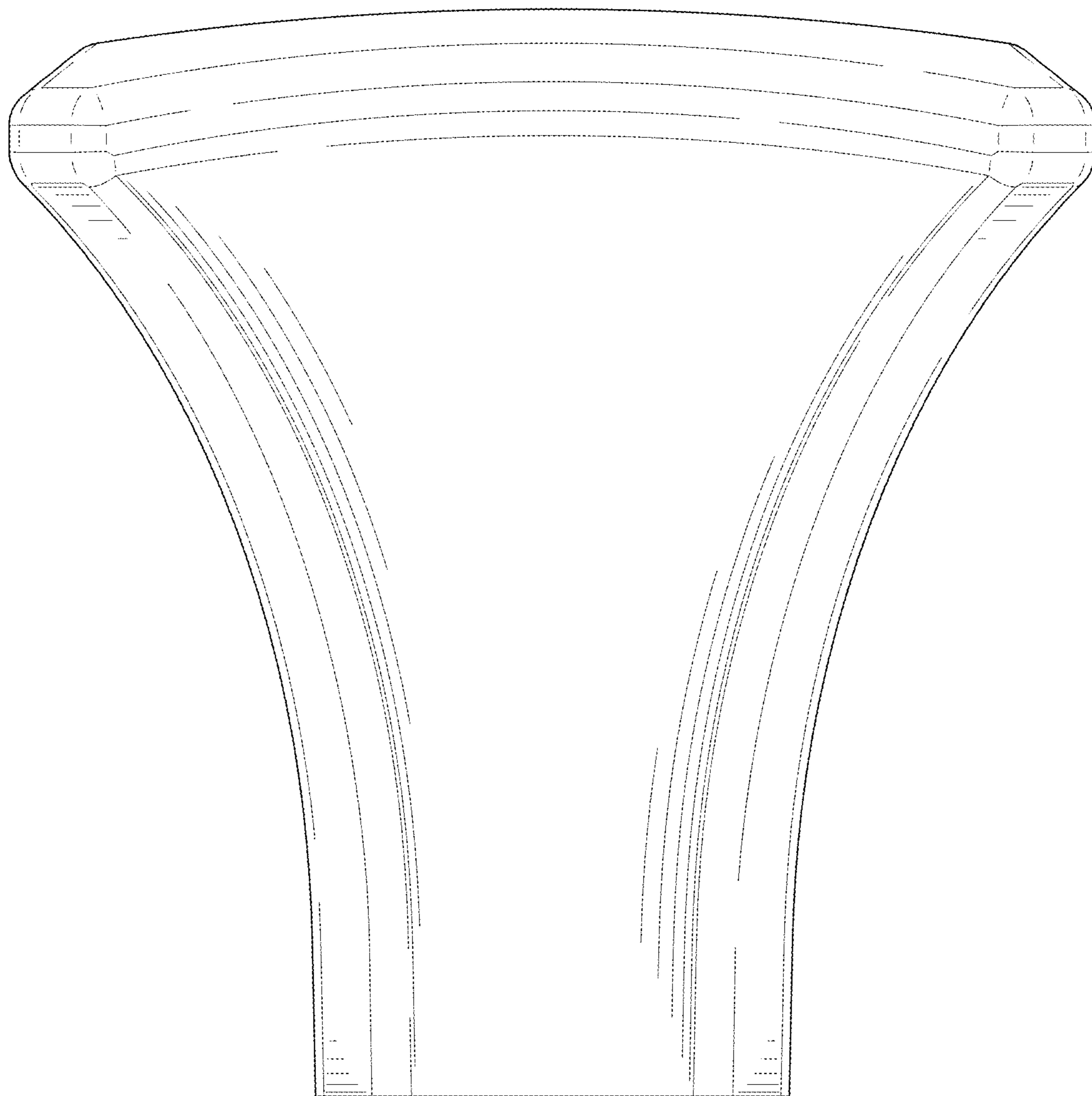


FIG. 4

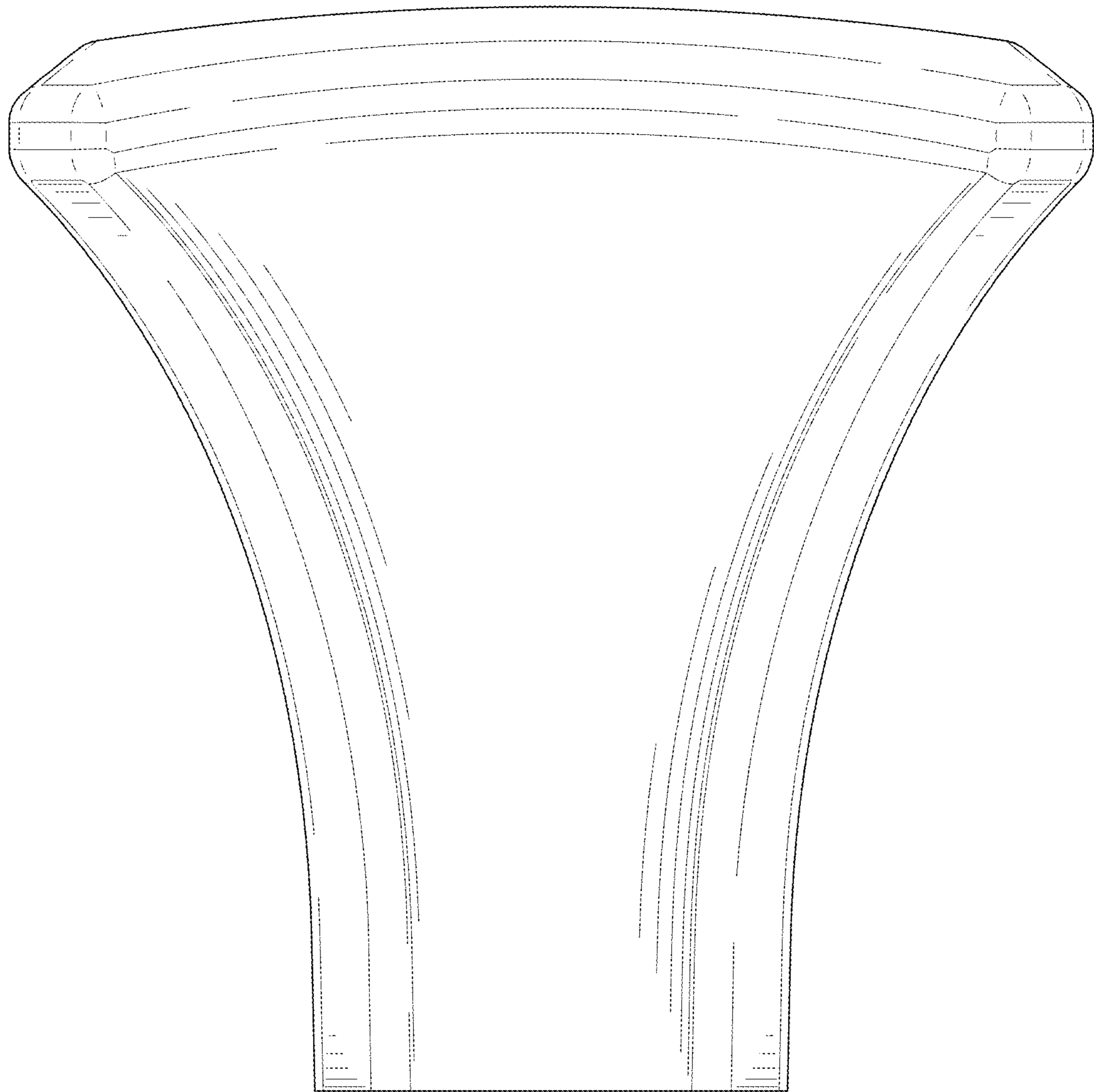


FIG. 5

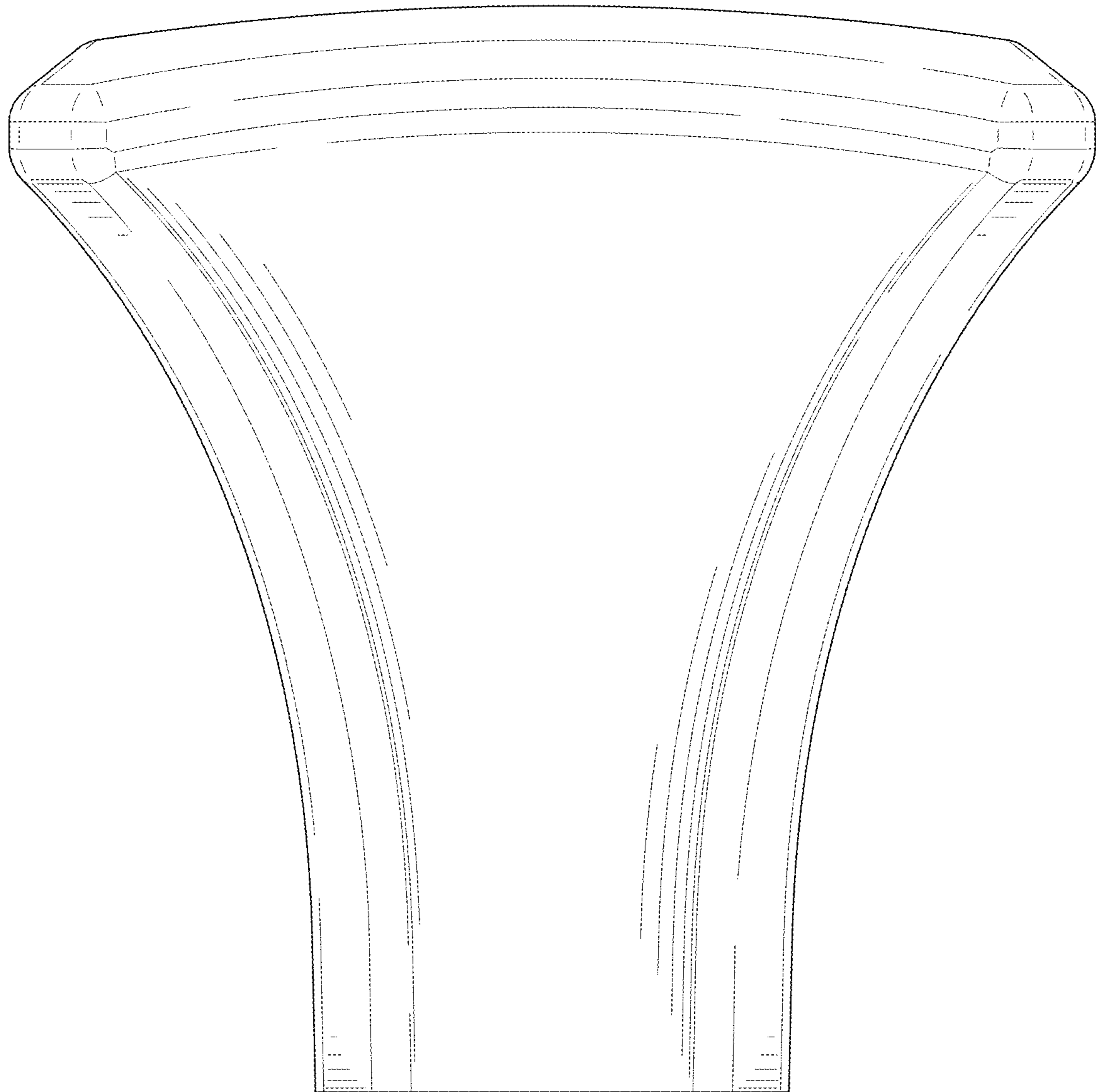


FIG. 6

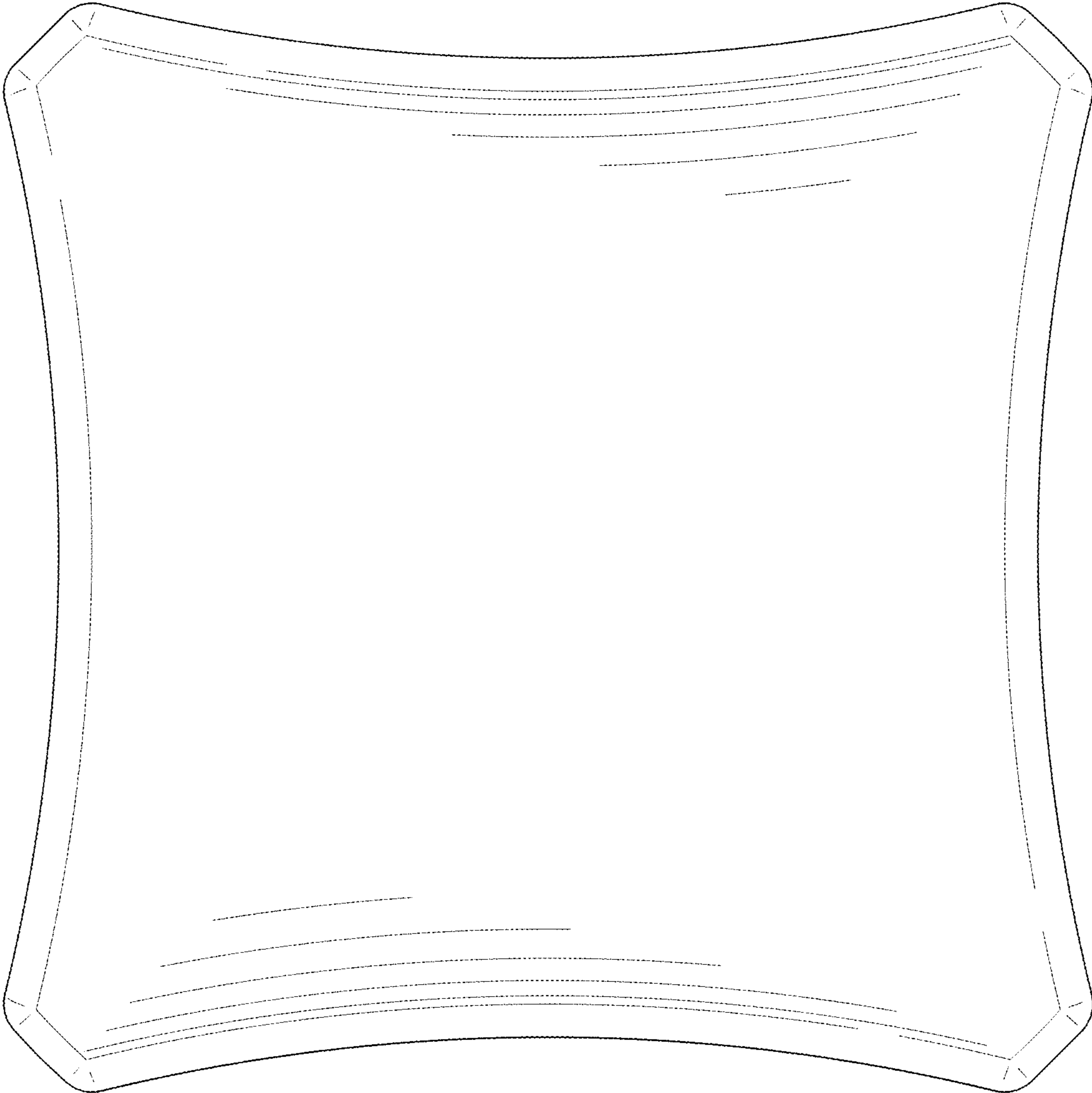


FIG. 7

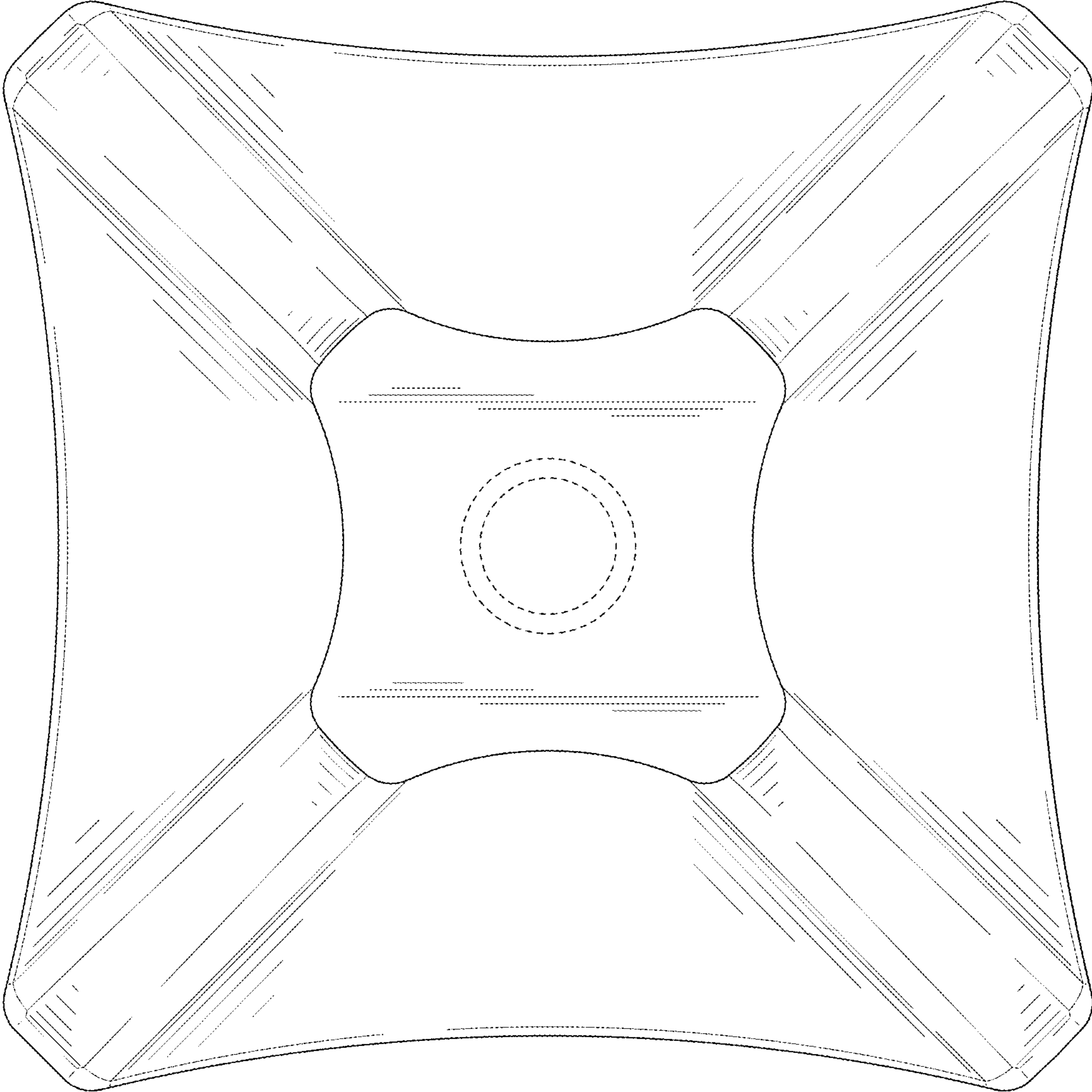


FIG. 8