



US00D974144S

(12) **United States Design Patent**  
**Luce**

(10) **Patent No.:** **US D974,144 S**  
(45) **Date of Patent:** **\*\* Jan. 3, 2023**

(54) **HANDLE**

(71) Applicant: **Far East Brokers And Consultants, Inc.**, Jacksonville, FL (US)

(72) Inventor: **David Alan Luce**, St. Augustine, FL (US)

(\*\*) Term: **15 Years**

(21) Appl. No.: **29/738,890**

(22) Filed: **Jun. 20, 2020**

(51) **LOC (14) Cl.** ..... **08-06**

(52) **U.S. Cl.**  
USPC ..... **D8/303**

(58) **Field of Classification Search**  
USPC ..... D8/107, 300, 303, 307, 310, 321, 322;  
D23/250-254; D7/393, 394, 395, 396;  
D4/104, 138

CPC ..... Y10T 16/469; Y10T 16/44; Y10T 16/466;  
Y10T 16/4713; Y10T 16/459; Y10T  
74/20828; Y10T 29/49826; Y10T  
74/20732; Y10T 16/4559; Y10T  
74/20864; Y10T 74/20822; A46B 5/026;  
A46B 2200/302; A46B 5/021; A47L  
13/022; A47L 1/06; A47L 13/20; A47L  
11/4075; B25G 1/10; B25G 1/00; B25G  
3/04; B25G 3/00; Y10S 16/12; Y10S  
16/19; Y10S 16/41; Y10S 16/90; Y10S  
16/40

See application file for complete search history.

(56) **References Cited**

**U.S. PATENT DOCUMENTS**

D149,677 S \* 5/1948 Roblin ..... D8/DIG. 3  
D185,613 S \* 6/1959 Price ..... D8/303

D403,946 S \* 1/1999 Shih ..... D8/107  
D463,244 S \* 9/2002 Chen ..... D8/107  
D474,896 S \* 5/2003 Riddell ..... D4/138  
D513,561 S \* 1/2006 Winkler ..... D4/104  
D696,022 S \* 12/2013 Birk ..... D4/101  
2005/0138777 A1\* 6/2005 Cornfield ..... B25G 1/102  
16/430

\* cited by examiner

*Primary Examiner* — Lauren R Calve

(74) *Attorney, Agent, or Firm* — Camille A. Wilson;  
Wilson Dutra, PLLC

(57) **CLAIM**

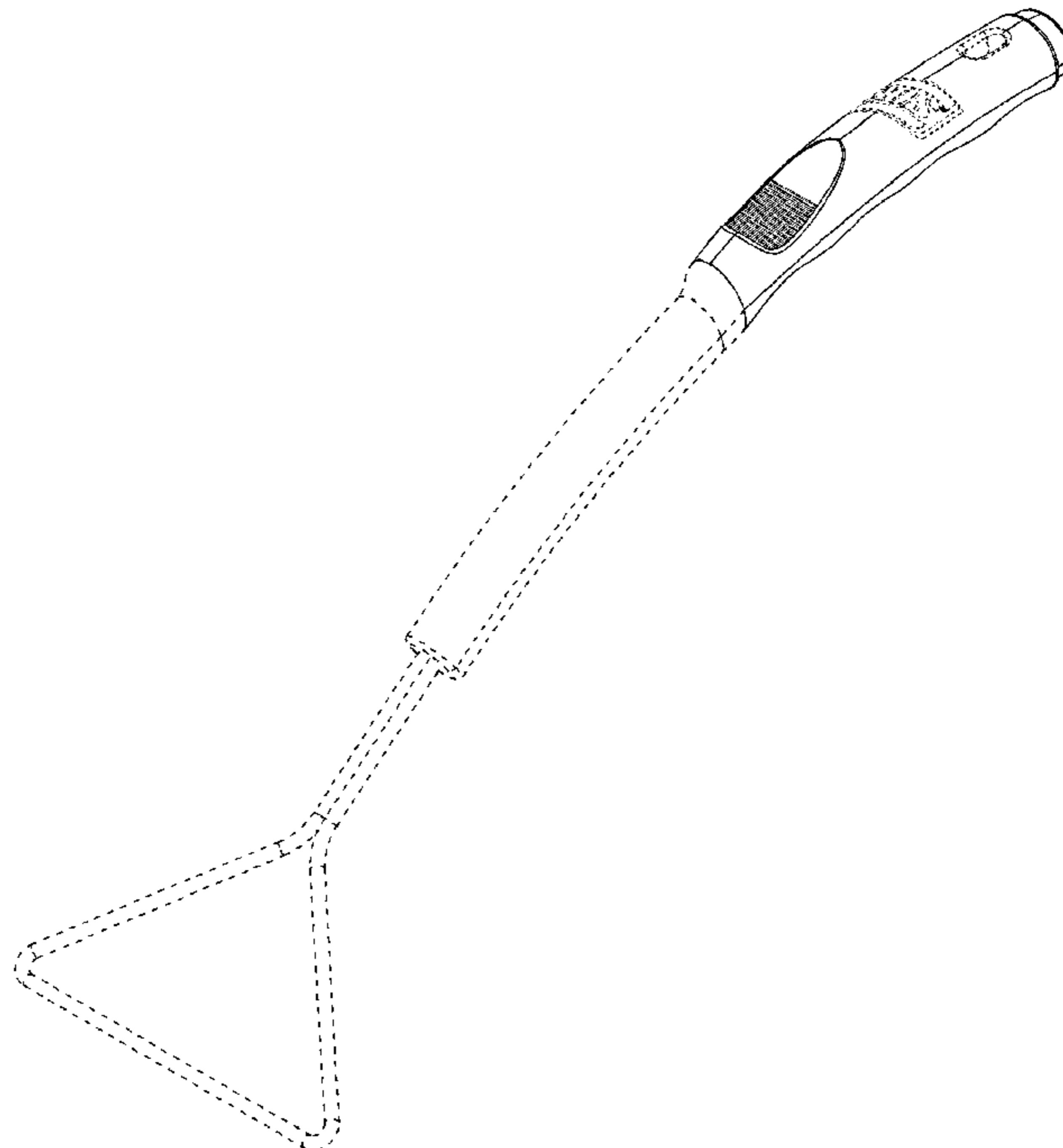
The ornamental design for a handle, as shown and described.

**DESCRIPTION**

FIG. 1 is a top view of a handle shown in environmental use in accordance with the present invention; FIG. 2 is a left side view thereof; FIG. 3 is a left perspective view thereof; FIG. 4 is a top view of the handle shown in a second environmental use; FIG. 5 is a bottom view thereof; FIG. 6 is a left side view thereof; FIG. 7 is a rear top perspective view thereof; and, FIG. 8 is a front view thereof.

The broken lines shown represent environmental subject matter and portions of the handle that form no part of the claimed design. The broken lines that depict lettering and line designs within the bounds of the continuous handle are for illustrative purposes only. None of the broken lines form a part of the claimed design.

**1 Claim, 8 Drawing Sheets**



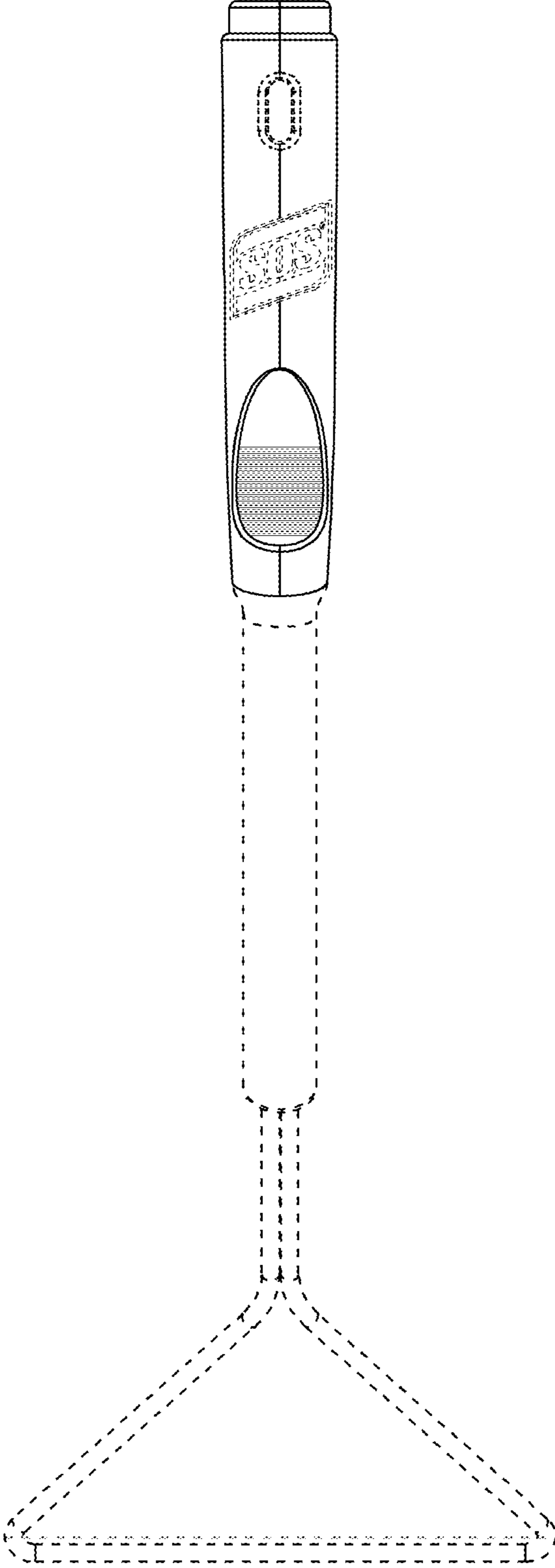


FIG. 1

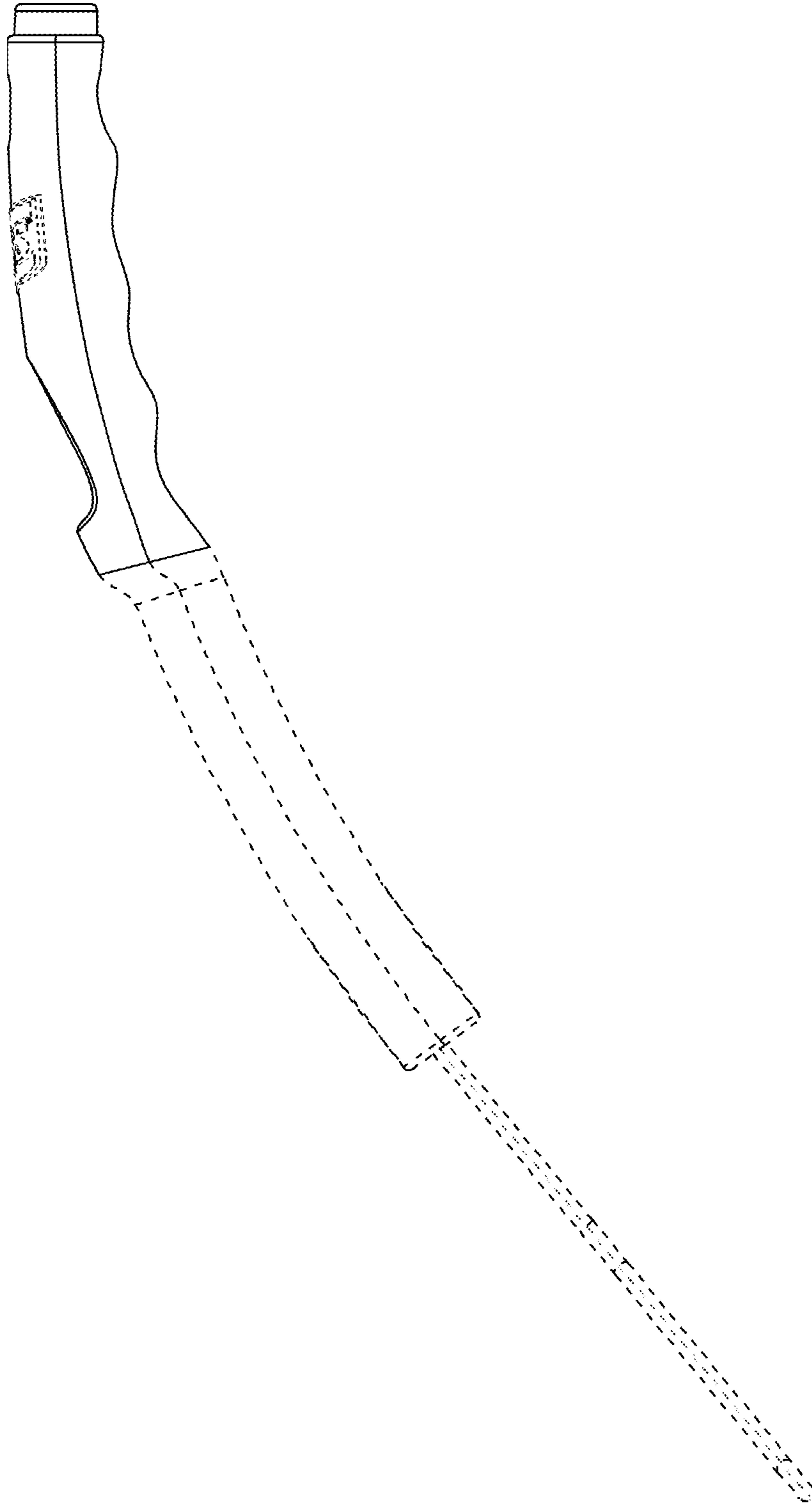


FIG. 2

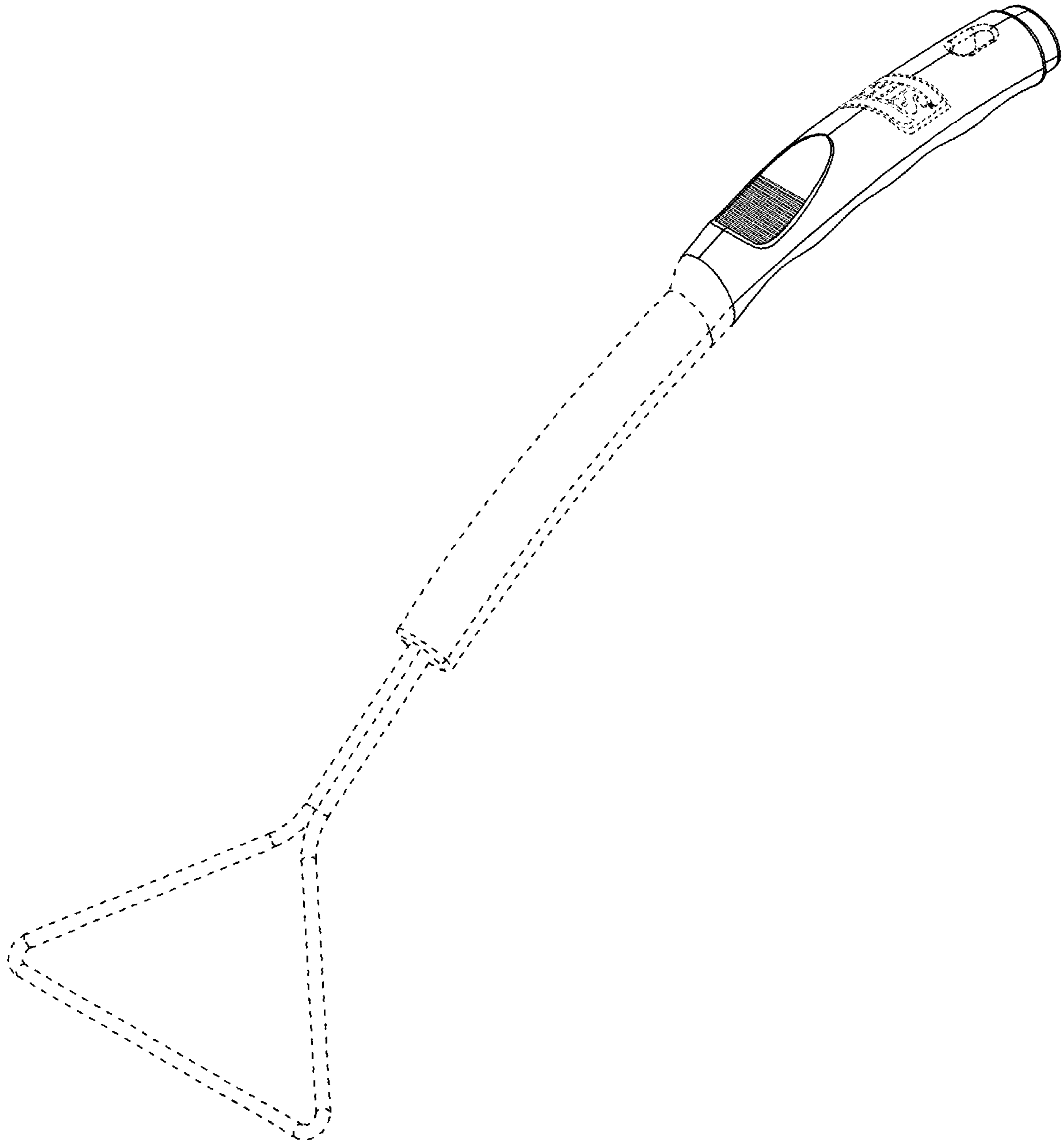


FIG. 3

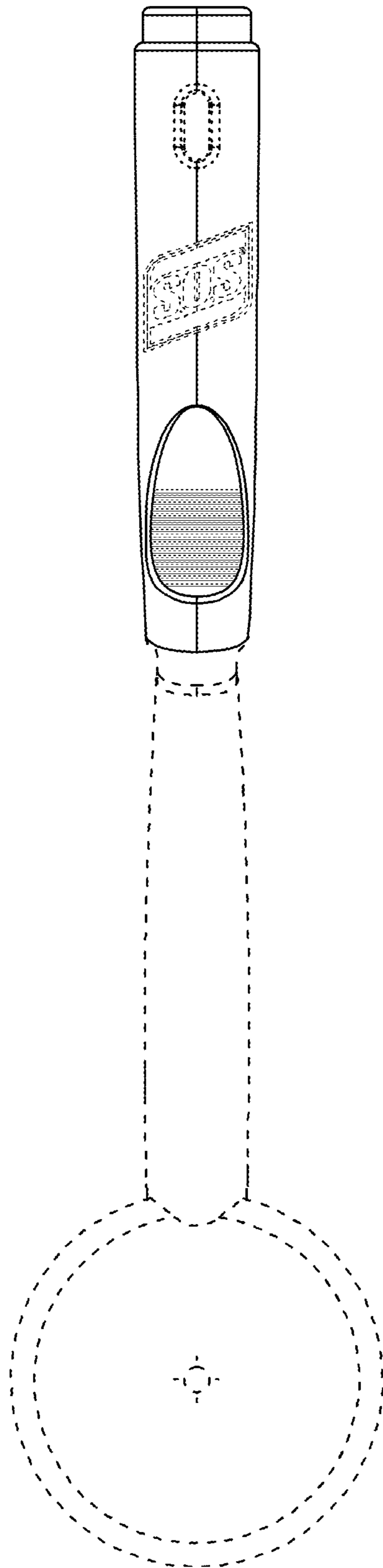


FIG. 4

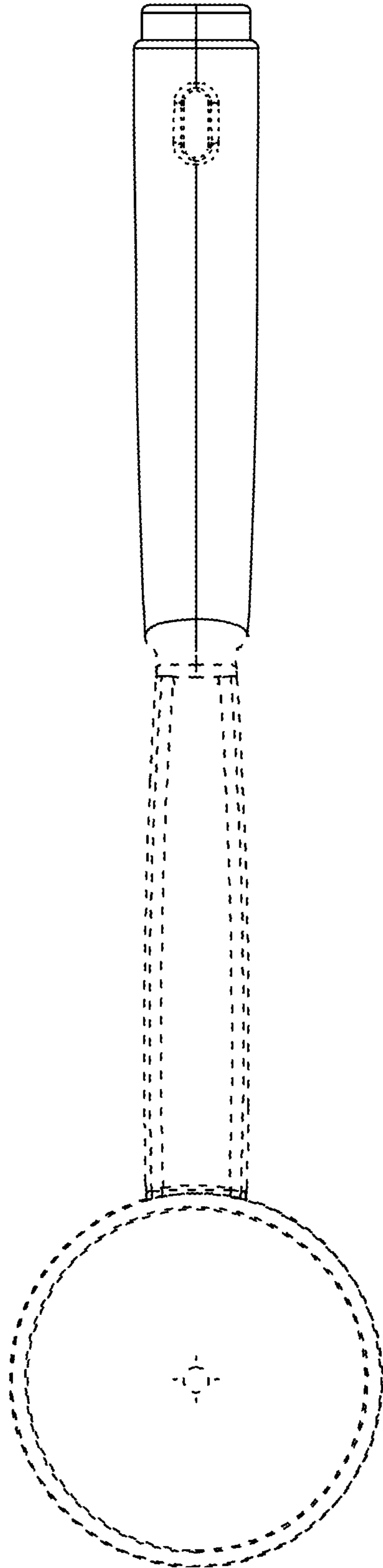


FIG. 5

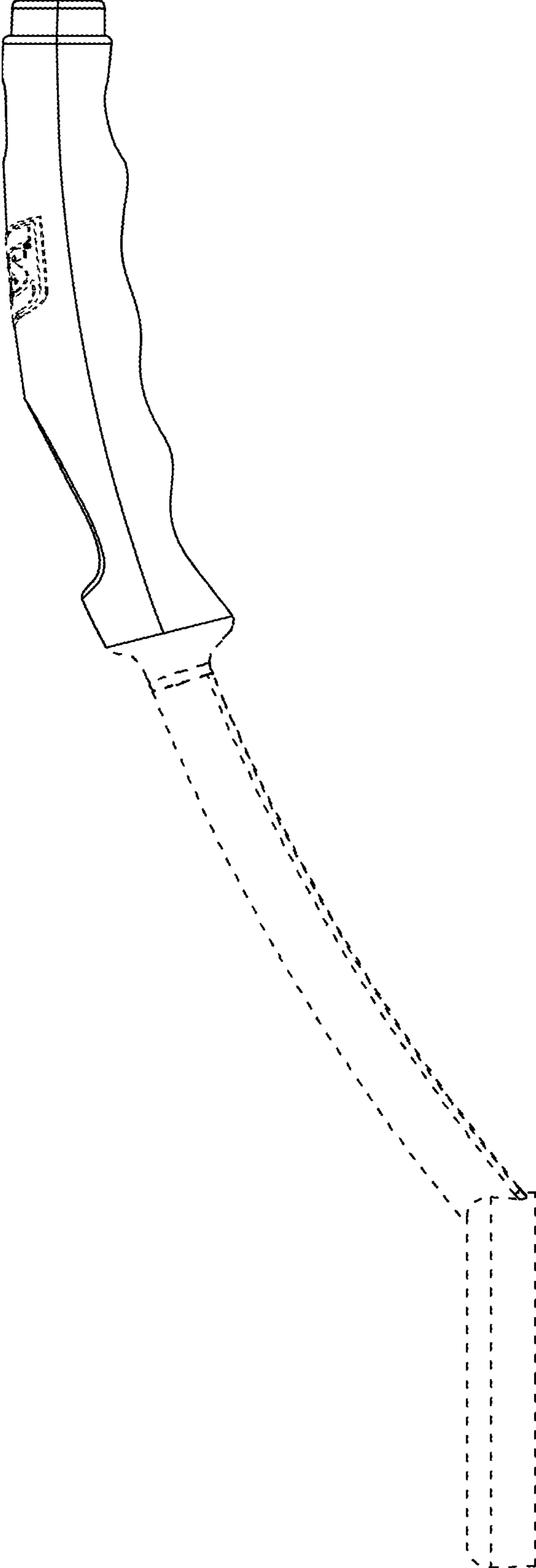


FIG. 6

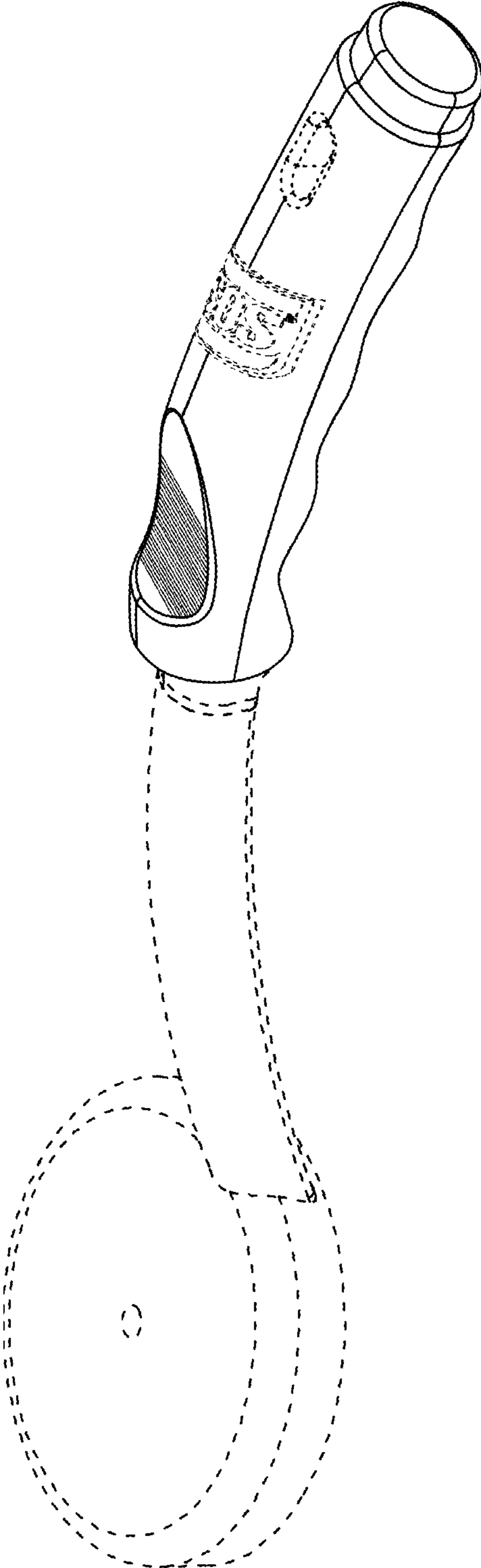


FIG. 7



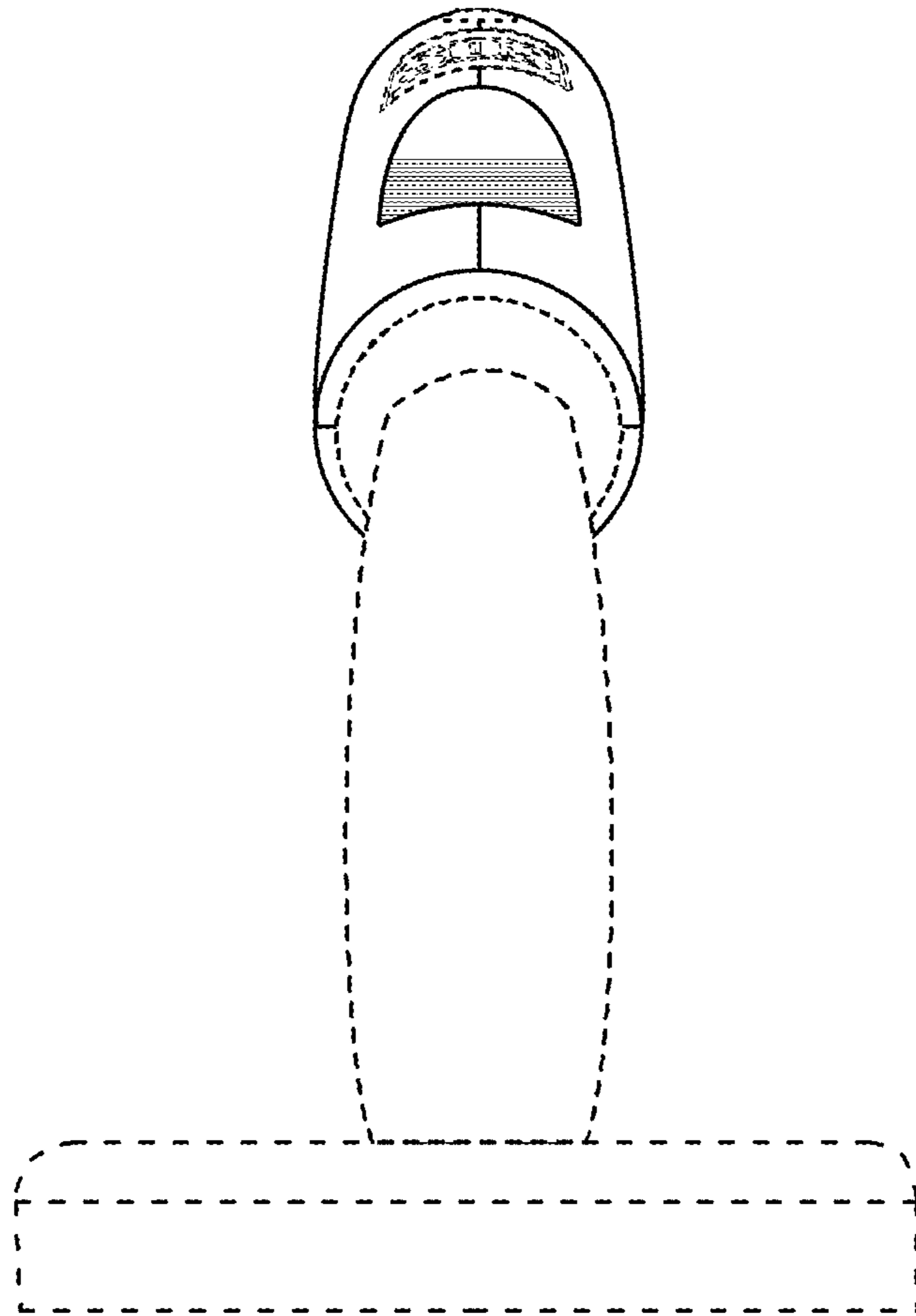


FIG. 8