



US00D974140S

(12) **United States Design Patent**
Wu

(10) **Patent No.:** **US D974,140 S**
(45) **Date of Patent:** **** Jan. 3, 2023**

(54) **JOINT REMOVING CLAMP**

(71) Applicant: **Pi-Liang Wu**, Taichung (TW)

(72) Inventor: **Pi-Liang Wu**, Taichung (TW)

(**) Term: **15 Years**

(21) Appl. No.: **29/775,288**

(22) Filed: **Mar. 23, 2021**

(30) **Foreign Application Priority Data**

Jan. 6, 2021 (TW) 110300076

(51) **LOC (14) Cl.** **08-05**

(52) **U.S. Cl.**
USPC **D8/72**

(58) **Field of Classification Search**
USPC D8/14, 51, 52, 70, 71, 395
CPC B25B 27/0035; B25B 7/08; B25B 9/00;
B25B 7/12; B25B 27/10; B25B 27/02;
B25B 25/005

See application file for complete search history.

(56) **References Cited**

U.S. PATENT DOCUMENTS

10,632,598 B2 * 4/2020 Wu B25B 9/00
2018/0236643 A1 * 8/2018 Wu B25B 27/0035

2018/0290276 A1 * 10/2018 Wu B25B 7/02
2019/0358796 A1 * 11/2019 Wu B25B 27/0035
2022/0009057 A1 * 1/2022 Beulah B25B 27/20

* cited by examiner

Primary Examiner — Philip S Hyder

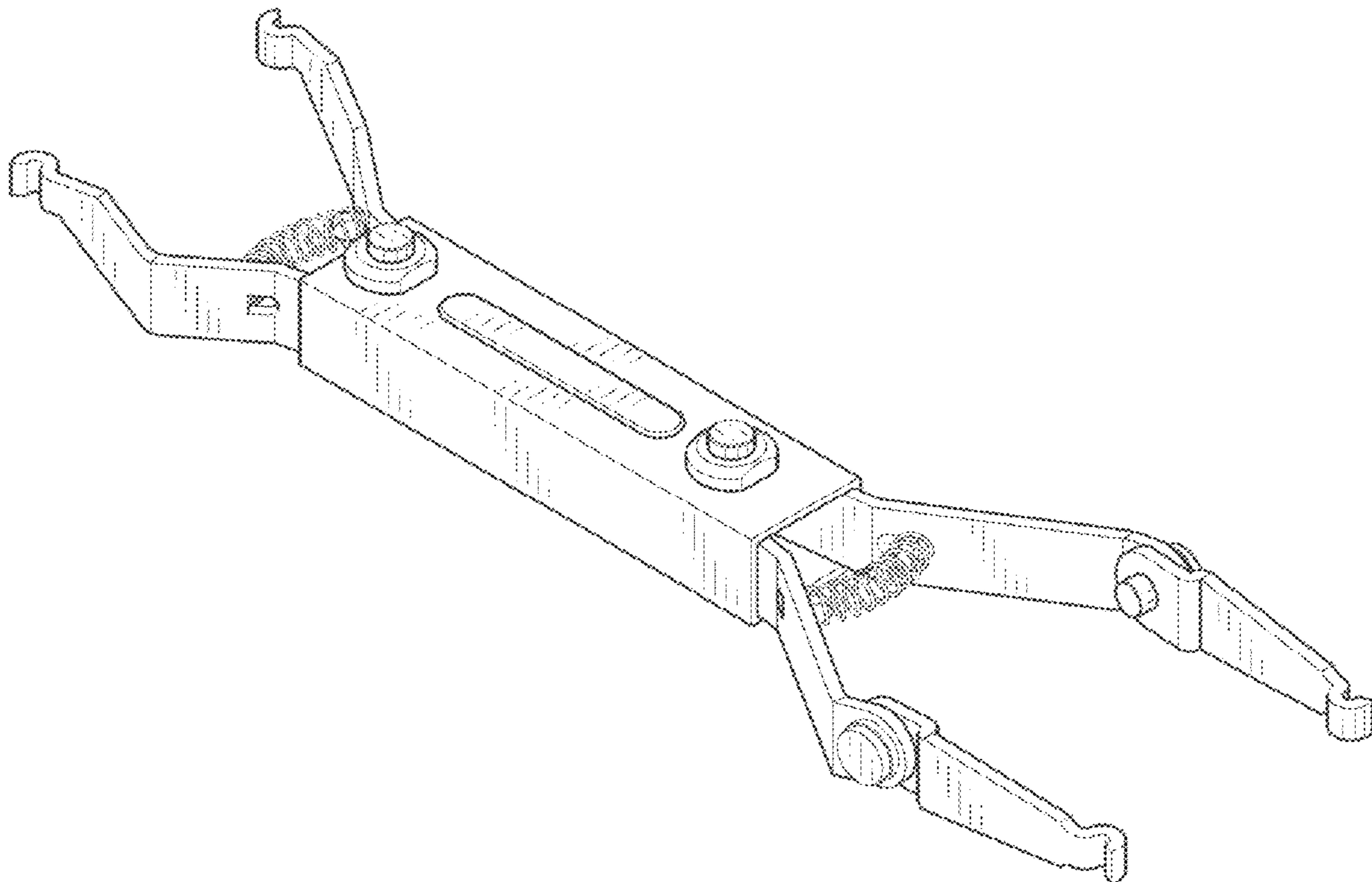
(57) **CLAIM**

The ornamental design for a joint removing clamp, as shown and described.

DESCRIPTION

FIG. 1 is a perspective view of the design of the invention;
FIG. 2 is a front elevational view thereof;
FIG. 3 is a rear elevational view thereof;
FIG. 4 is a left side elevational view thereof;
FIG. 5 is a right side elevational view thereof;
FIG. 6 is a top plan view thereof; and,
FIG. 7 is a bottom plan view thereof.

1 Claim, 7 Drawing Sheets



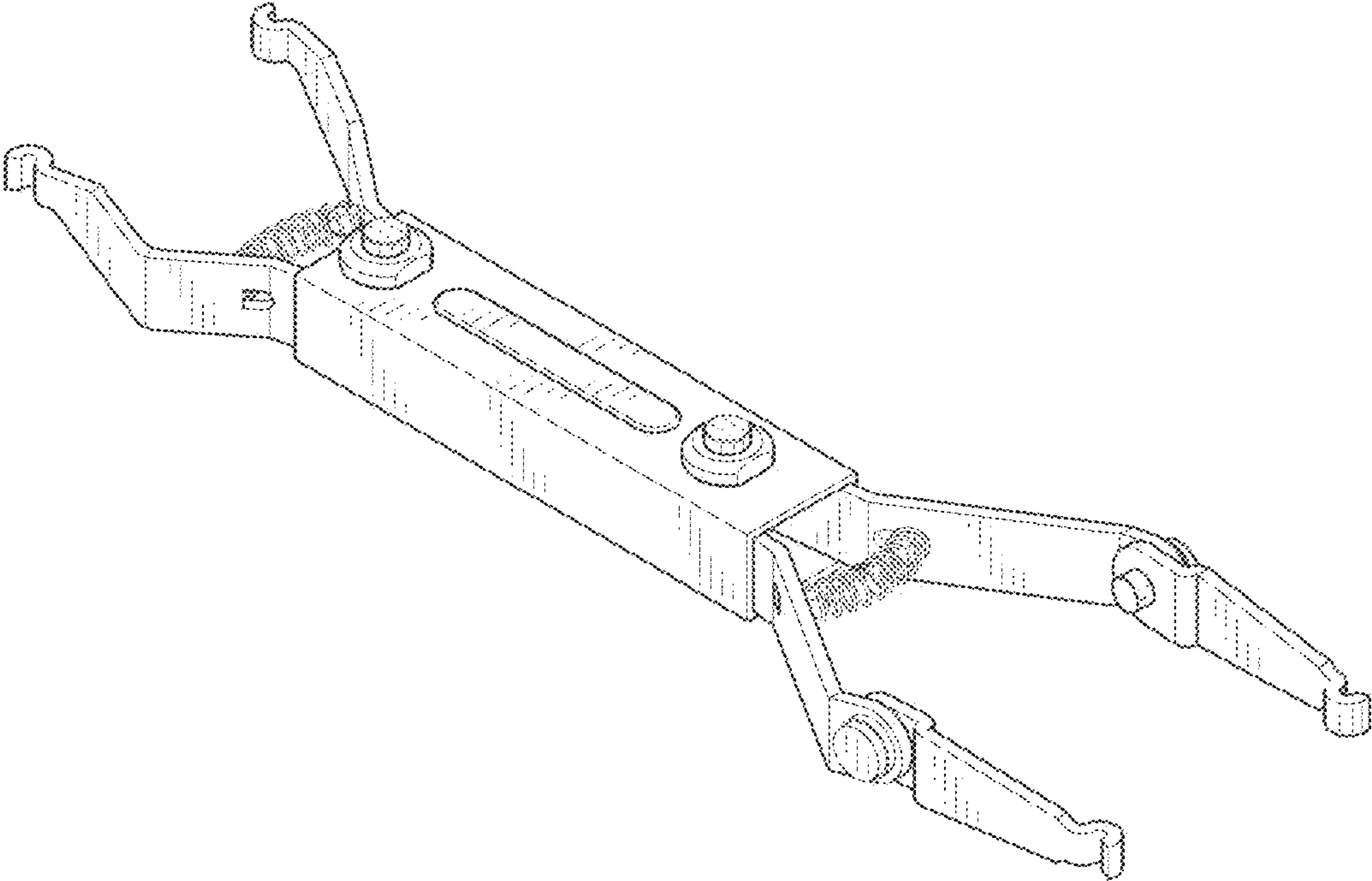


FIG. 1

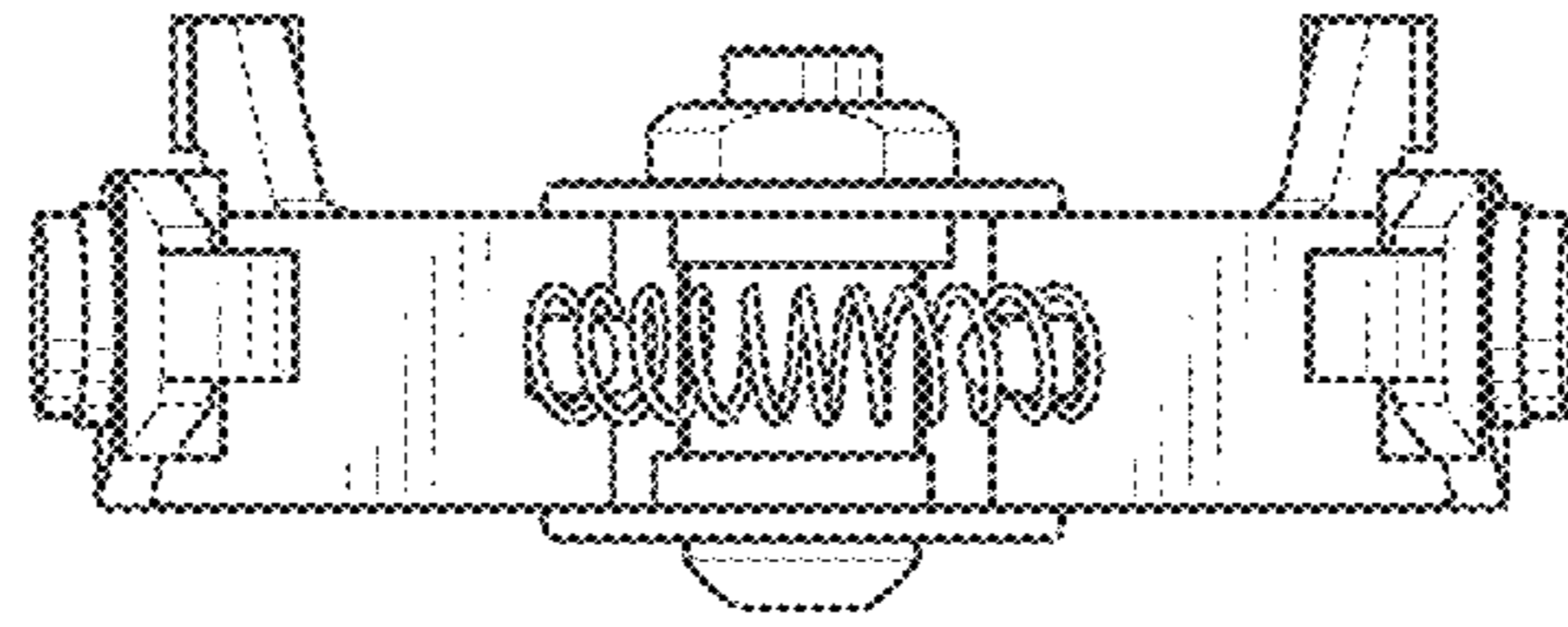


FIG. 2

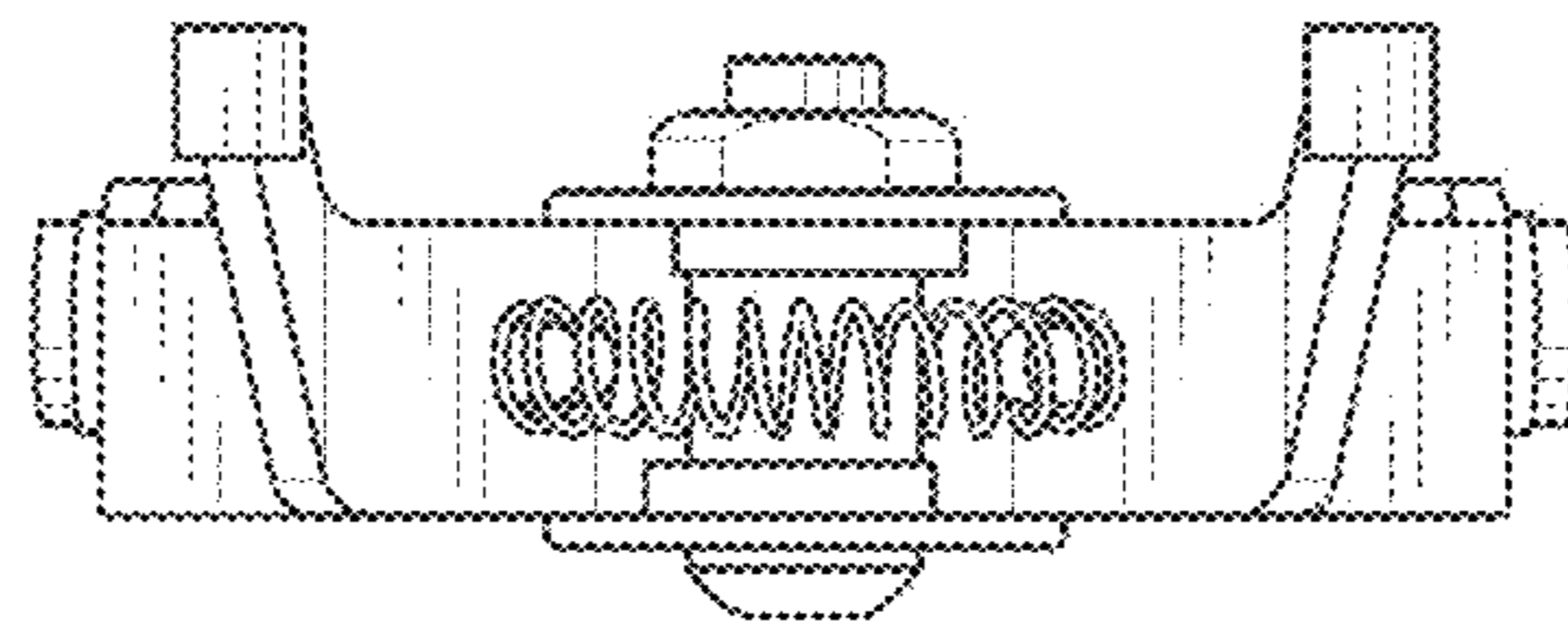


FIG. 3

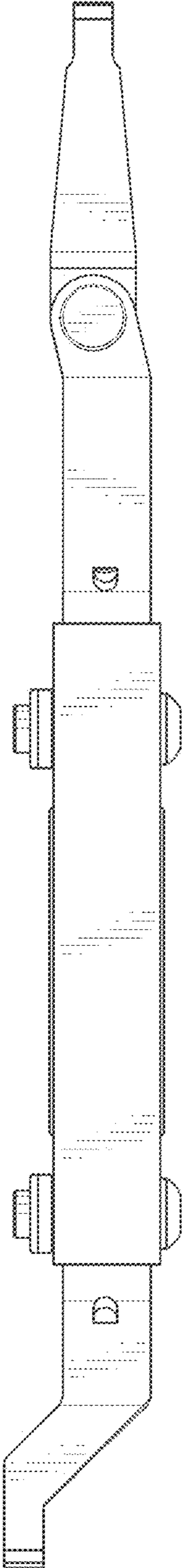


FIG. 4

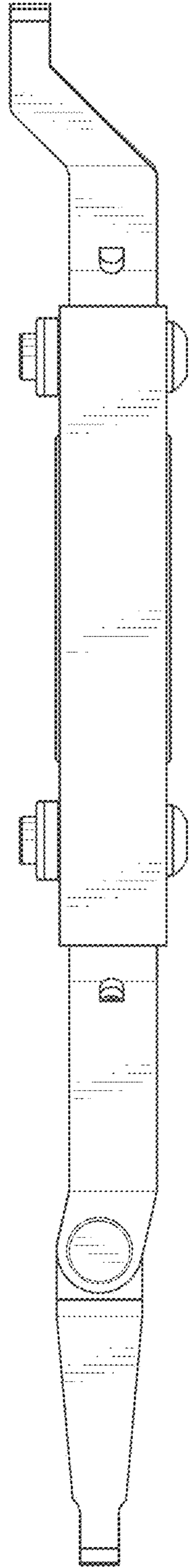


FIG. 5

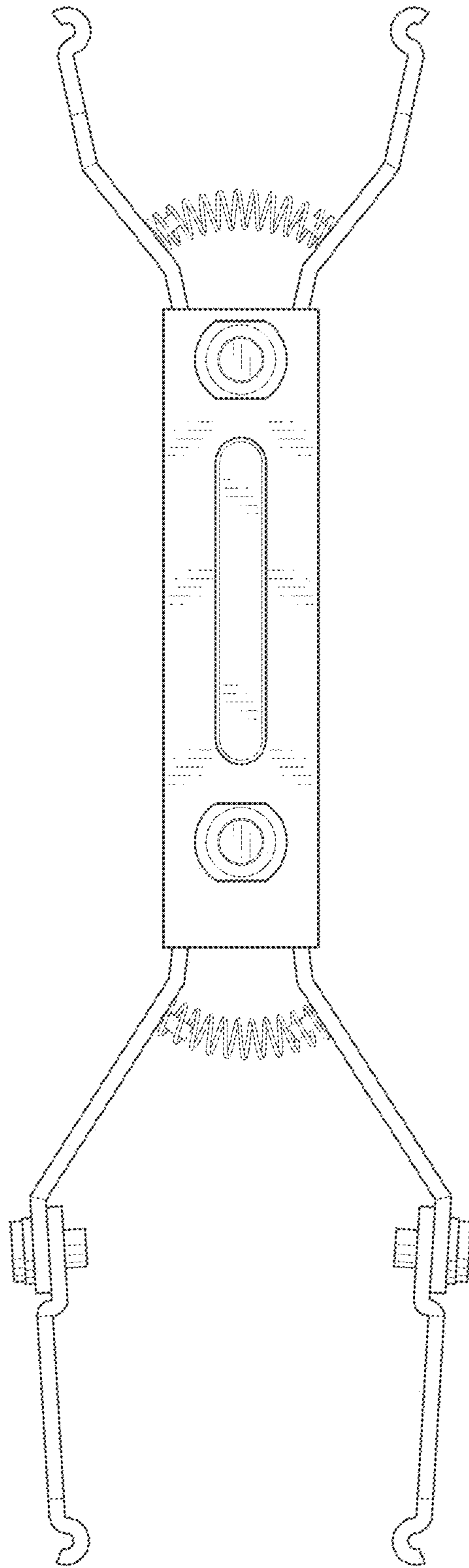


FIG. 6

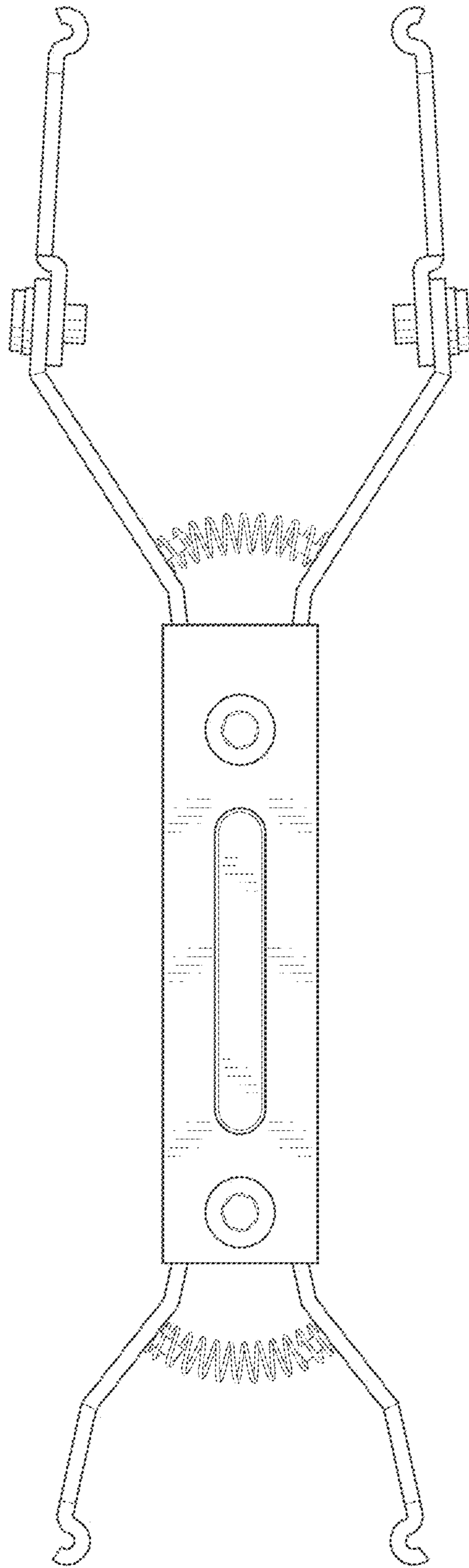


FIG. 7