



US00D974139S

(12) **United States Design Patent** (10) **Patent No.:** **US D974,139 S**
Heath, Jr. (45) **Date of Patent:** **** Jan. 3, 2023**

(54) **BASE FOR SUPPORTING ROUTER BITS**
(71) Applicant: **Woodpeckers, LLC**, Strongsville, OH (US)
(72) Inventor: **Mark Robert Heath, Jr.**, Strongsville, OH (US)
(73) Assignee: **WOODPECKERS, LLC**, Strongsville, OH (US)

D449,518 S 10/2001 Snider et al.
D459,372 S 6/2002 Asano
D494,436 S * 8/2004 Winig D8/71
D506,730 S 6/2005 Ura
D517,489 S 3/2006 Kawase et al.
D544,460 S 6/2007 Yau
D547,788 S 7/2007 Cheng
(Continued)

(**) Term: **15 Years**
(21) Appl. No.: **29/824,451**

(22) Filed: **Jan. 25, 2022**
(51) **LOC (14) Cl.** **08-05**
(52) **U.S. Cl.**
USPC **D8/71**
(58) **Field of Classification Search**
USPC D15/131, 132, 140, 143; D8/71, 499;
D3/315
CPC B25H 3/003; B25H 3/04
See application file for complete search history.

OTHER PUBLICATIONS

Tool Guyd, "Woodpeckers RackBit Router Bit Storage System", (published Oct. 21, 2021), Toolguyd.com, URL:<<https://toolguyd.com/woodpeckers-rackbit-router-bit-storage-system/>> (Year: 2021).*
(Continued)

Primary Examiner — Calvin E Vansant
Assistant Examiner — Mark T. Philipps
(74) *Attorney, Agent, or Firm* — Sand, Sebolt & Wernow Co., LPA

(57) **CLAIM**
The ornamental design for a base for supporting router bits, as shown and described.

(56) **References Cited**

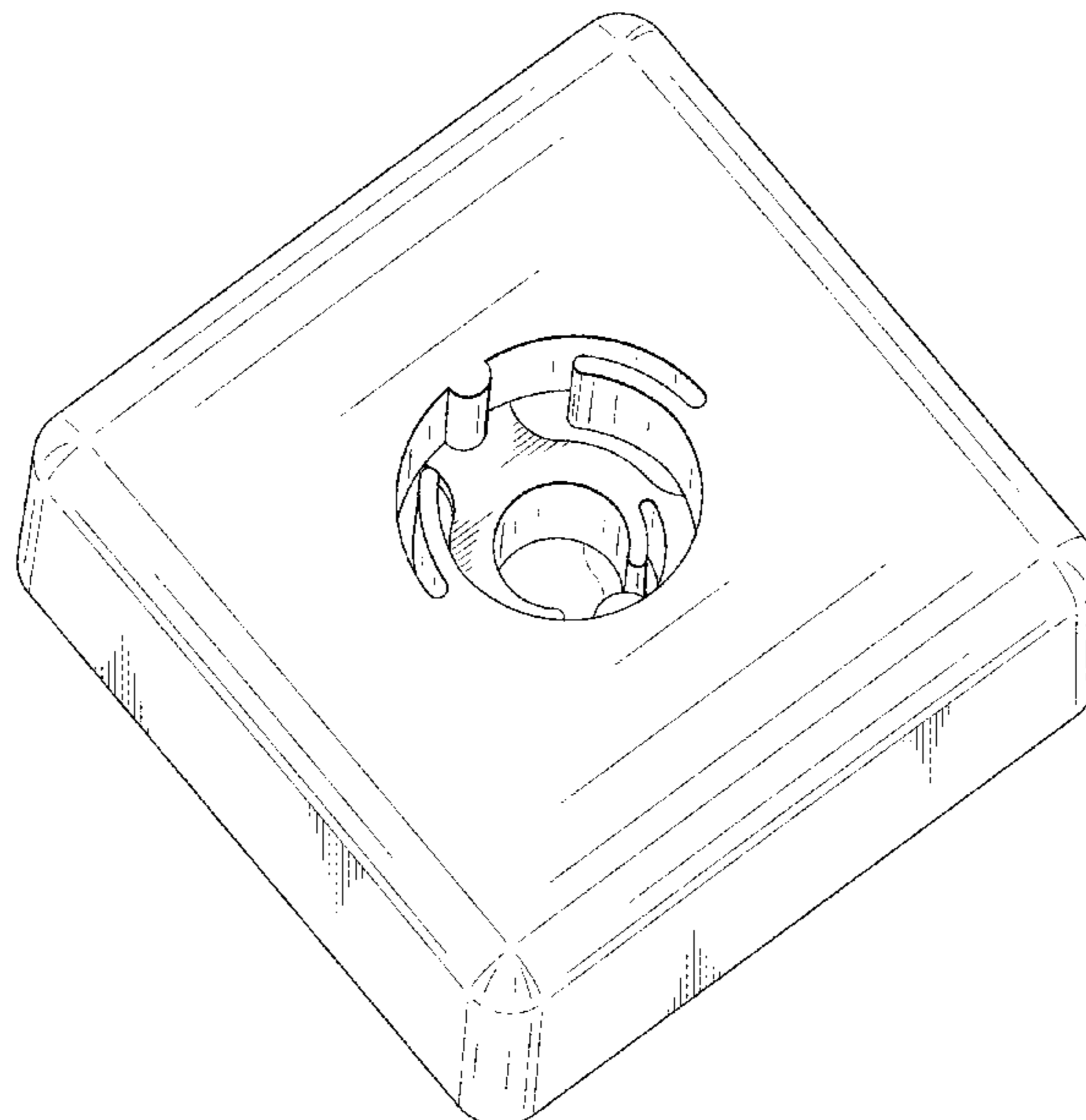
U.S. PATENT DOCUMENTS

D231,765 S 6/1974 Kean
4,112,412 A 9/1978 Howlett
D271,903 S 12/1983 Kaufman
4,594,660 A 6/1986 Guenther et al.
D316,214 S * 4/1991 O'Donnell D30/131
5,184,425 A 2/1993 Anderson
5,452,810 A * 9/1995 Schwartz B25B 11/00
211/74
D390,241 S * 2/1998 Mori D15/140
D410,372 S 6/1999 Strauch
D424,579 S 5/2000 Brady
D429,262 S 8/2000 Streich
D430,578 S 9/2000 Brady
D430,983 S 9/2000 Hirota

DESCRIPTION

FIG. 1 is a top front right side perspective view of the base for supporting router bits in accordance with my design; FIG. 2 is a front elevation view thereof; FIG. 3 is a rear elevation view thereof; FIG. 4 is a right side elevation view thereof; FIG. 5 is a left side elevation view thereof; FIG. 6 is a top elevation view thereof; FIG. 7 is a bottom elevation view thereof; and, FIG. 8 is another top front right side perspective view thereof.
The broken lines illustrate portions of the base for supporting router bits which form no part of the claimed design.

1 Claim, 6 Drawing Sheets



(56)

References Cited

U.S. PATENT DOCUMENTS

D550,668 S 9/2007 Park et al.
 D555,616 S 11/2007 Lin
 D591,318 S 4/2009 Shimada
 D619,070 S 7/2010 Pollmann
 D625,694 S 10/2010 Morikawa et al.
 D637,851 S * 5/2011 Hsieh D6/567
 D726,153 S 4/2015 Chang
 D752,495 S 3/2016 Garbas
 D825,926 S * 8/2018 Lauber D3/318
 D910,872 S * 2/2021 White D24/229
 D937,651 S 12/2021 Liu et al.
 D965,394 S * 10/2022 Yin D7/637
 2009/0050501 A1 * 2/2009 Serpico B25H 3/003
 206/379
 2015/0352709 A1 * 12/2015 Diamond B25H 3/003
 206/349
 2018/0104812 A1 * 4/2018 Wacker B25H 3/04
 2019/0291264 A1 * 9/2019 Mefferd B25H 3/003
 2021/0220977 A1 7/2021 Kukucka et al.

OTHER PUBLICATIONS

Powertec, 71345 Router Bit Tray for Drawer Storage, (first available Aug. 13, 2018), Amazon.com, URL:<<https://www.amazon.com/POWERTEC-71345-Router-1/2-inch-Shank/dp/B07GDLJ1CZ>> (Year: 2018).*

Rockier Hardware, Rockier Router Bit Storage Inserts, (site visited Oct. 14, 2022) Rockier website, URL:<<https://www.rockler.com/rockler-router-bit-storage-inserts-10-pack>> (Year: 2022).*

* cited by examiner

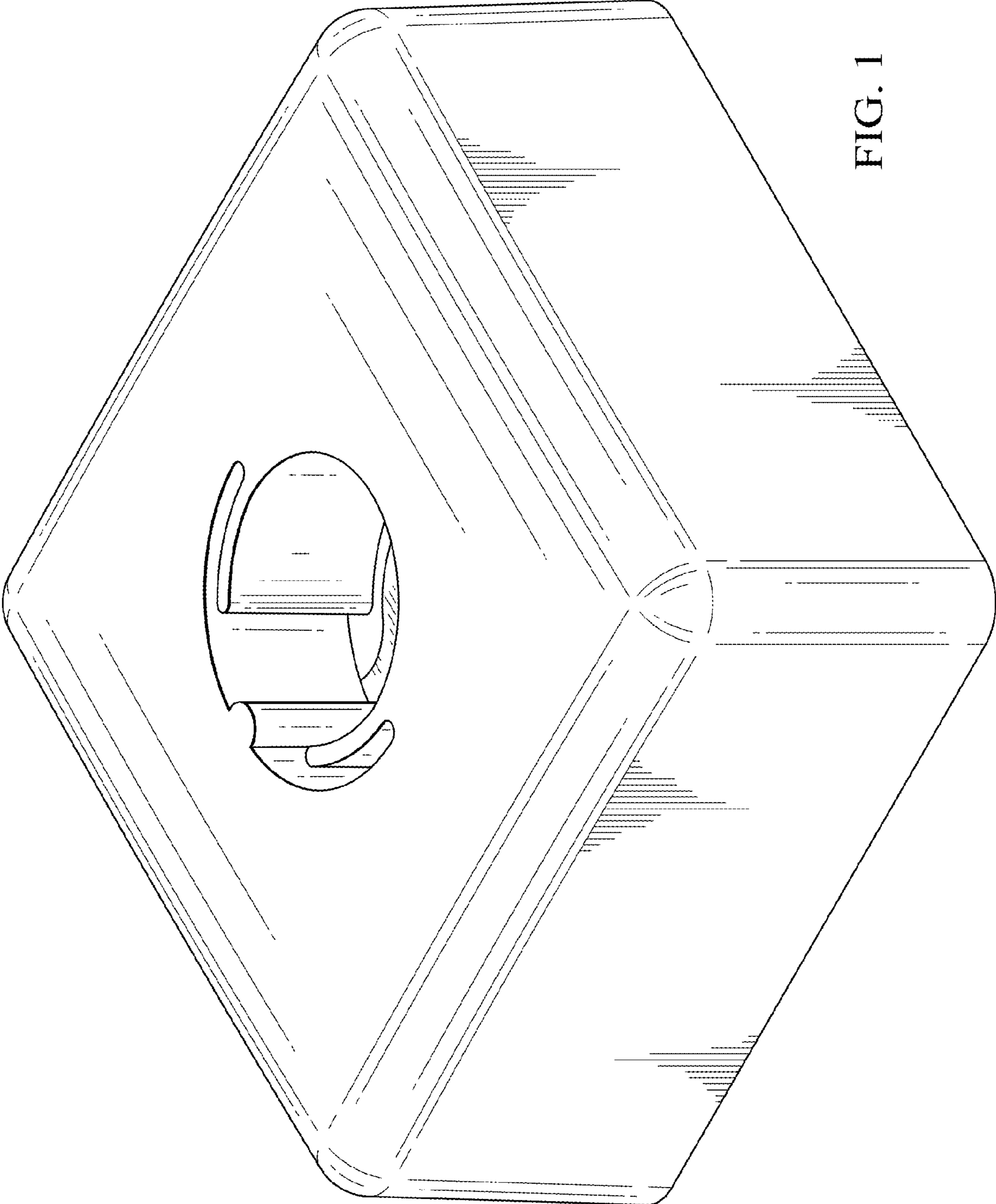


FIG. 1

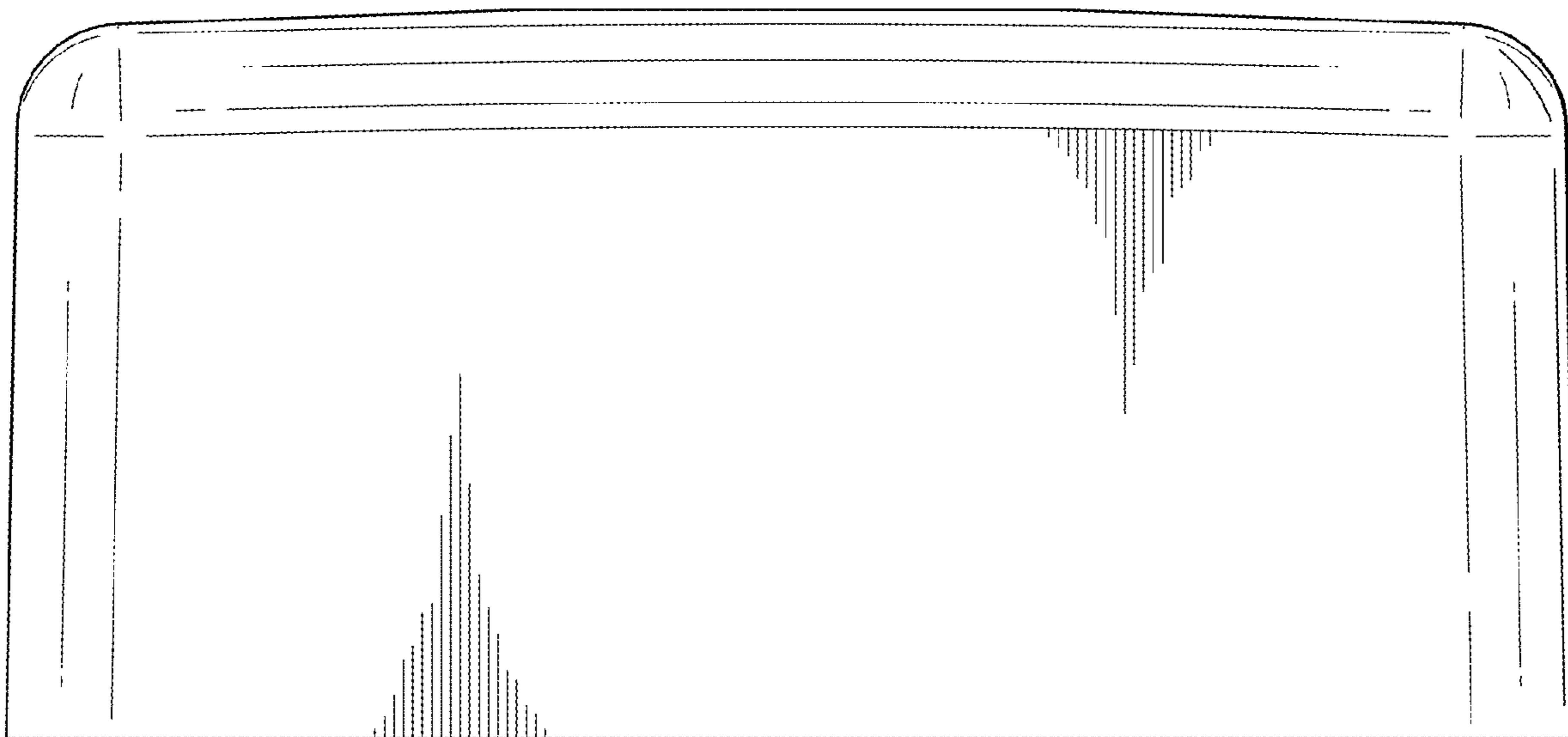


FIG. 2

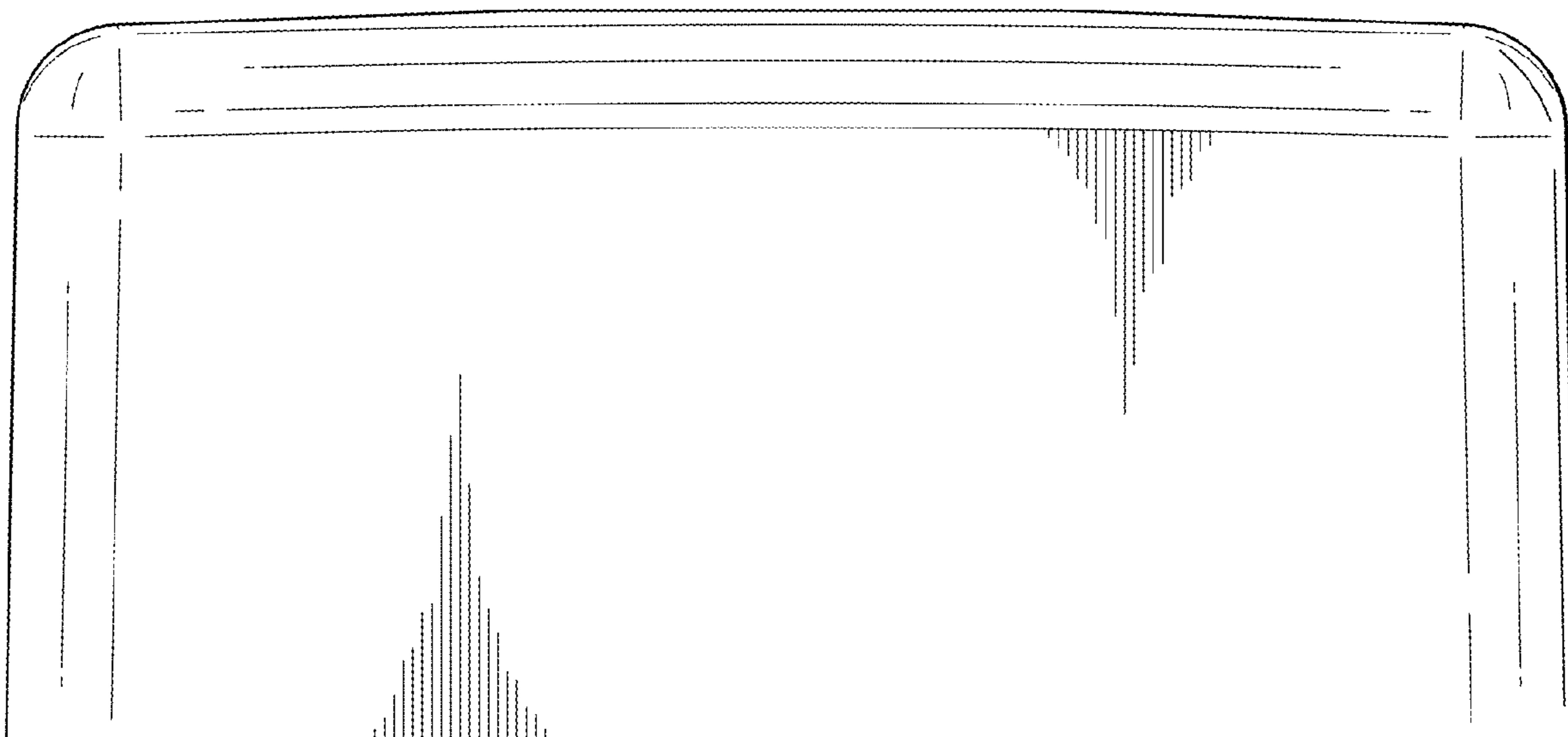


FIG. 3

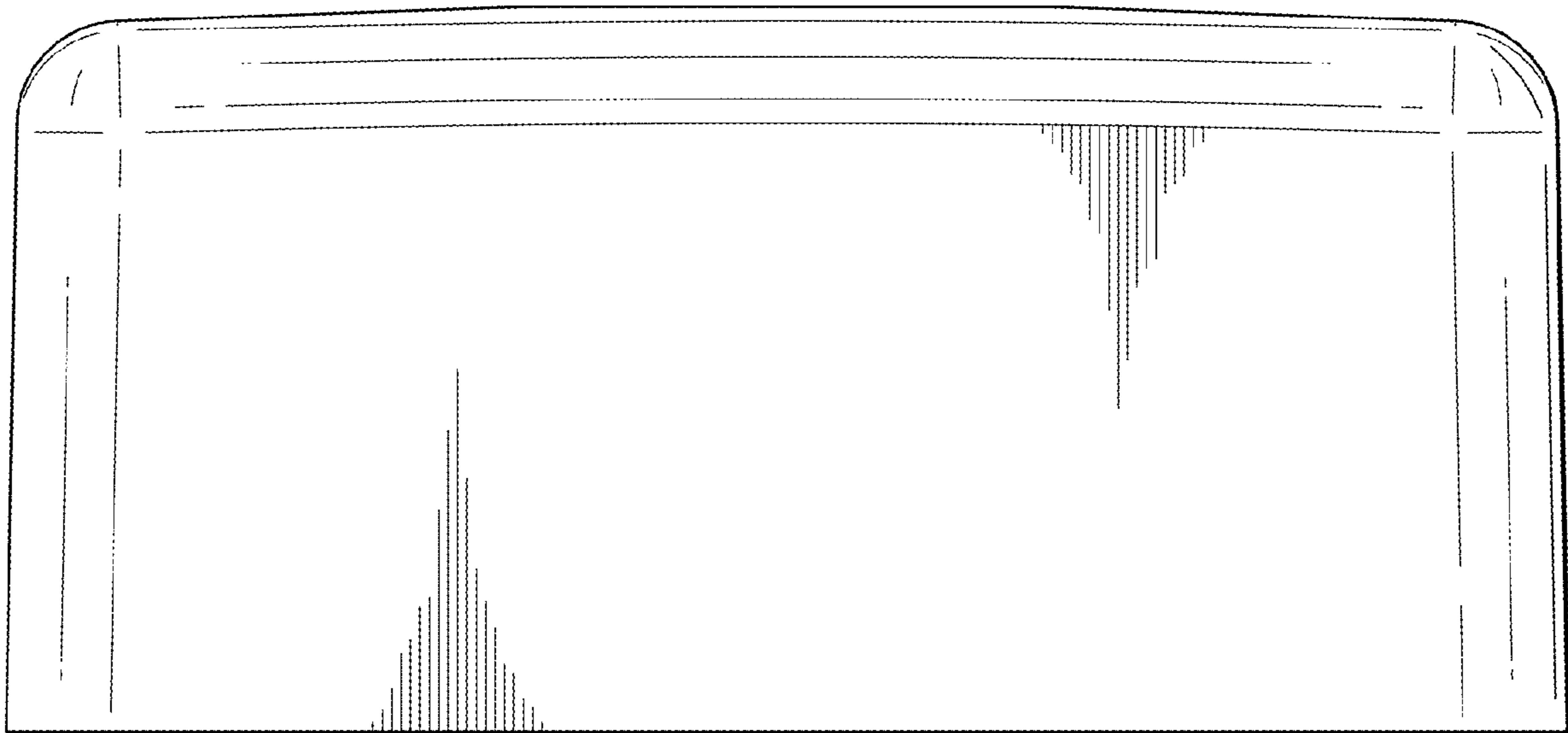


FIG. 4

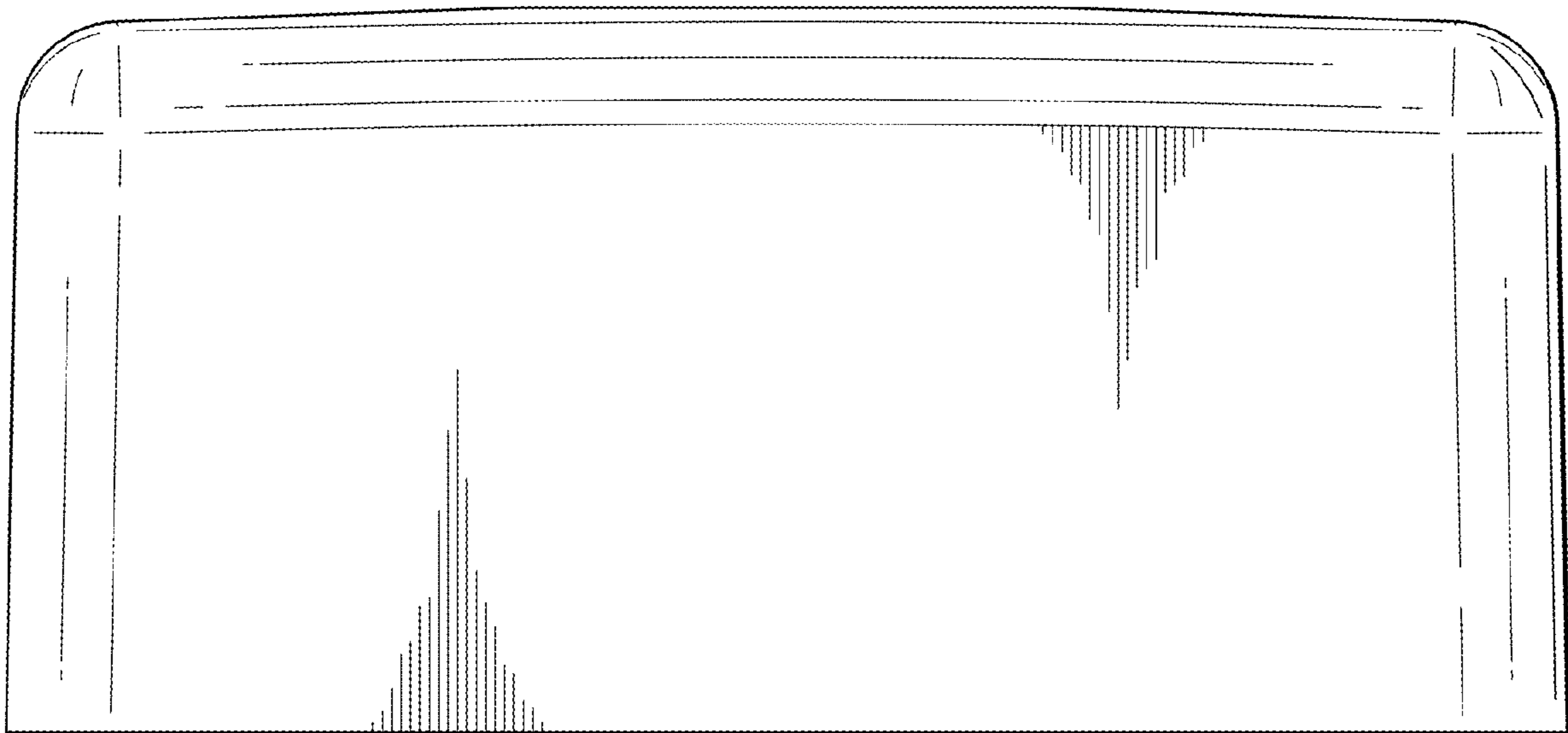


FIG. 5

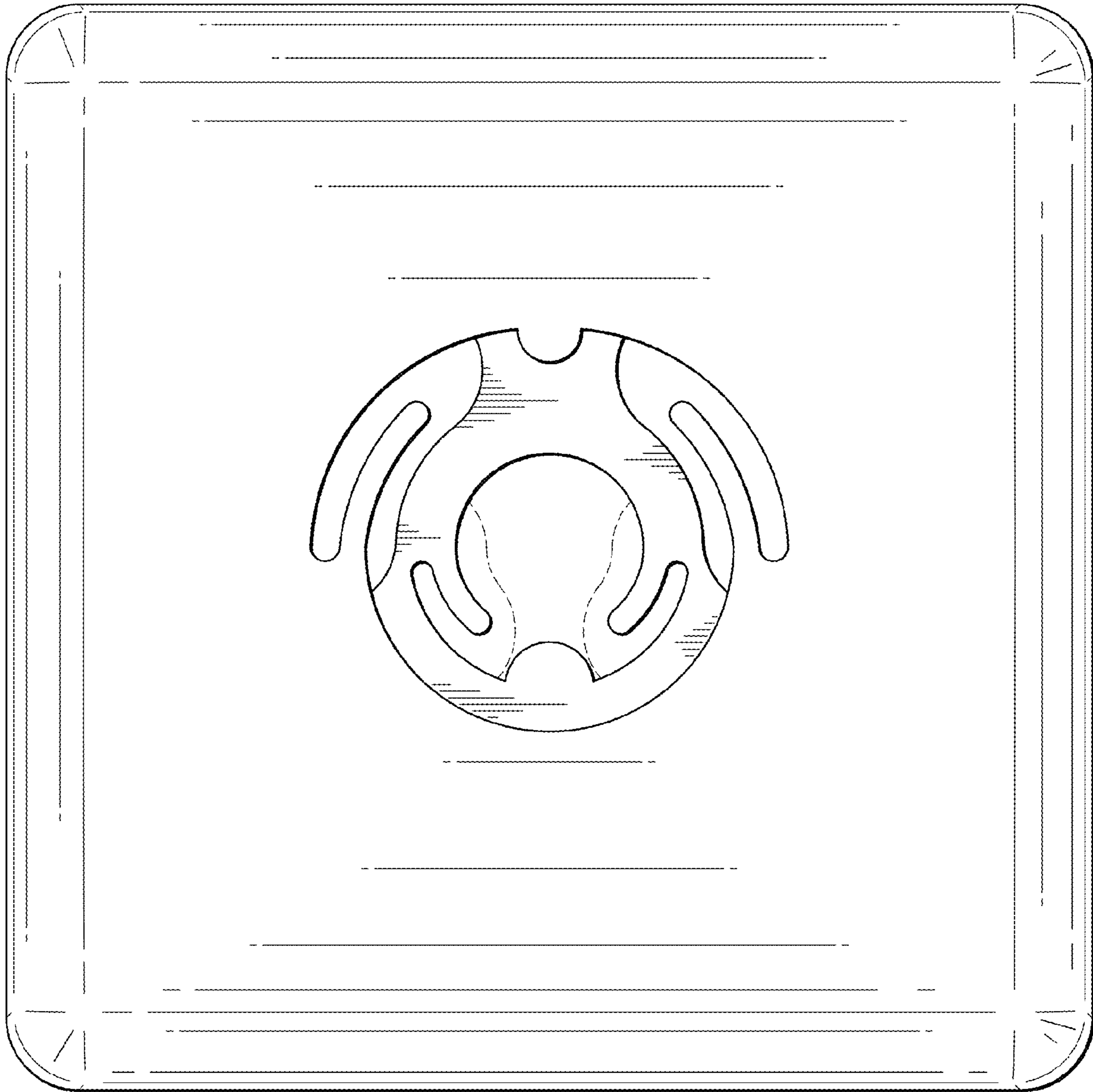


FIG. 6

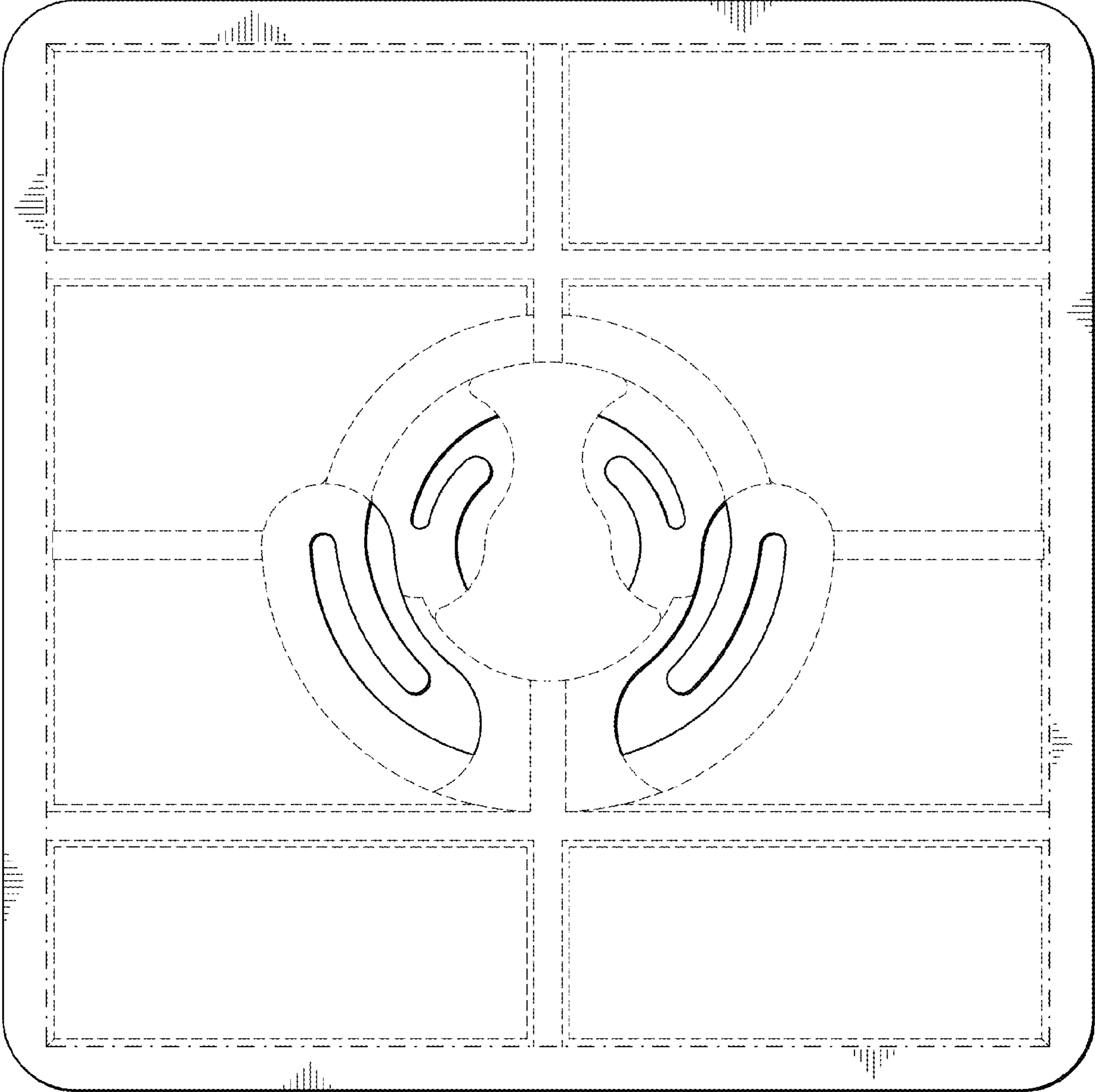


FIG. 7

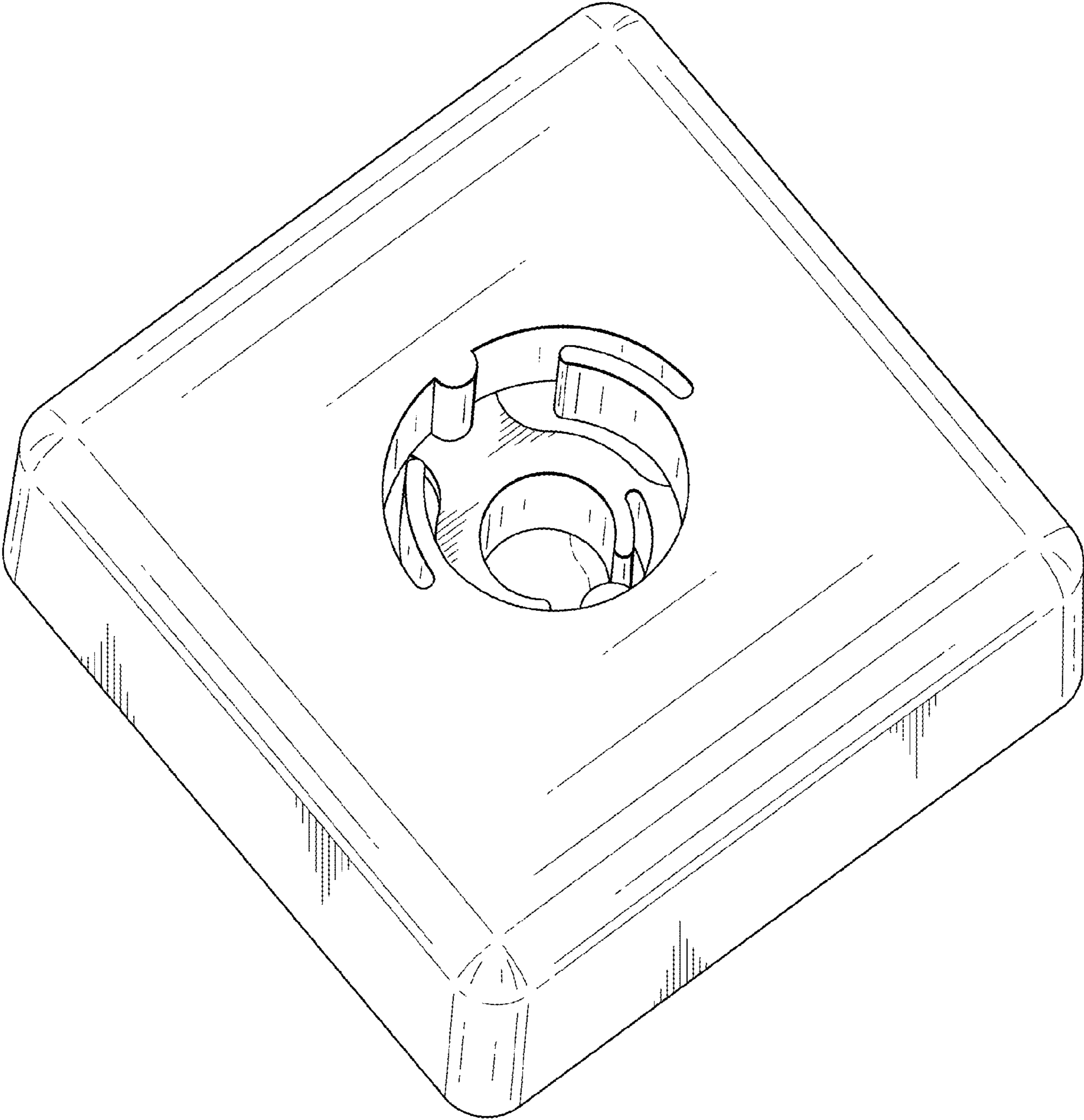


FIG. 8