



US00D974138S

(12) **United States Design Patent**
Huang

(10) **Patent No.:** **US D974,138 S**

(45) **Date of Patent:** **** Jan. 3, 2023**

- (54) **CUTTING TOOL HANDLE**
- (71) Applicant: **ALLPROFESSIONAL MFG. CO., LTD.**, Taichung (TW)
- (72) Inventor: **Chung-Ping Huang**, Taichung (TW)
- (73) Assignee: **ALLPROFESSIONAL MFG. CO., LTD.**, Taichung (TW)
- (**) Term: **15 Years**
- (21) Appl. No.: **29/776,569**
- (22) Filed: **Mar. 31, 2021**
- (51) **LOC (14) Cl.** **08-05**
- (52) **U.S. Cl.**
USPC **D8/52**
- (58) **Field of Classification Search**
USPC D8/4, 51, 52, 57, 107, 300
CPC B23D 29/026; B23D 29/005; B23D 29/02;
B26B 13/26; B26B 13/28; B26B 13/06;
B26B 13/00; B26B 17/02; A01G 3/02
See application file for complete search history.

- D719,808 S * 12/2014 Musser B26B 13/16
D8/107
- D762,434 S * 8/2016 Christopher D8/52
- D766,693 S * 9/2016 Caglar D8/107
- D773,267 S * 12/2016 Yen A01G 3/021
D8/52

(Continued)

Primary Examiner — Philip S Hyder
(74) *Attorney, Agent, or Firm* — Karin L. Williams; Alan D. Kamrath; Mayer & Williams PC

(57) **CLAIM**

The ornamental design for a cutting tool handle, as shown and described.

DESCRIPTION

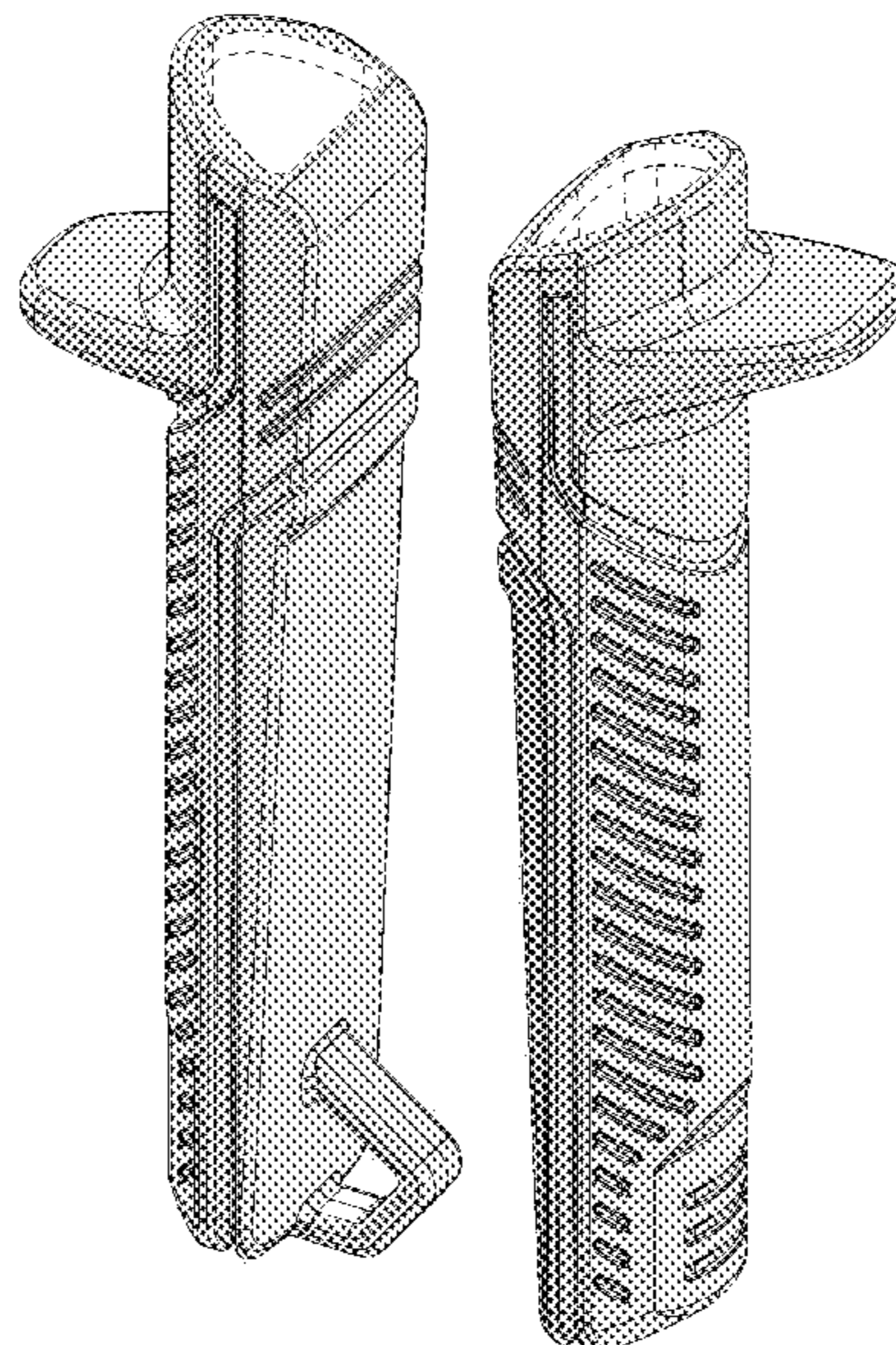
FIG. 1 is a perspective view of a cutting tool handle showing my new design, wherein the drawings have a photographic appearance;
 FIG. 2 is a front view thereof;
 FIG. 3 is a rear view thereof;
 FIG. 4 is a left view thereof;
 FIG. 5 is a right view thereof;
 FIG. 6 is a top view thereof;
 FIG. 7 is a bottom view thereof;
 FIG. 8 is a perspective view of the cutting tool handle, wherein the drawings have a CAD appearance;
 FIG. 9 is front view thereof;
 FIG. 10 is a rear view thereof;
 FIG. 11 is a left side view thereof;
 FIG. 12 is a right side view thereof;
 FIG. 13 is a top view thereof;
 FIG. 14 is a bottom view thereof; and,
 FIG. 15 is another perspective view thereof showing a using condition with a cutting tool.
 The broken lines depict portions of the cutting tool handle in which the design is embodied that are not considered part of the claimed design.

(56) **References Cited**

U.S. PATENT DOCUMENTS

- 5,003,695 A * 4/1991 Lipscomb B26B 17/02
30/186
- 6,134,994 A * 10/2000 Gomas B25G 1/102
81/489
- D503,695 S * 4/2005 Kota D14/138 AB
- D579,745 S * 11/2008 Huang D8/4
- D579,945 S * 11/2008 Kwag D14/486
- D618,078 S * 6/2010 Cripps D8/52
- D619,868 S * 7/2010 Garcia D8/107
- D619,869 S * 7/2010 Garcia D8/107
- D623,498 S * 9/2010 Wong D8/107
- D631,322 S * 1/2011 Wong D8/52
- D649,420 S * 11/2011 Cunningham D8/57
- D699,526 S * 2/2014 Wang D8/107
- D718,602 S * 12/2014 Musser D8/107

1 Claim, 15 Drawing Sheets



(56)

References Cited

U.S. PATENT DOCUMENTS

D775,504 S * 1/2017 Dechant B26B 13/26
D8/52
D921,471 S * 6/2021 Lyytikäinen D8/107
D929,203 S * 8/2021 Su D8/107
2013/0145628 A1* 6/2013 Schneider B23D 29/02
30/244
2013/0232797 A1* 9/2013 Huang B26B 13/28
30/252
2014/0360024 A1* 12/2014 Schneider B26B 13/16
D8/107
2016/0185000 A1* 6/2016 Huang B26B 13/16
30/262
2017/0332558 A1* 11/2017 Dechant A01G 3/021
2019/0217490 A1* 7/2019 Huang B26B 13/26

* cited by examiner

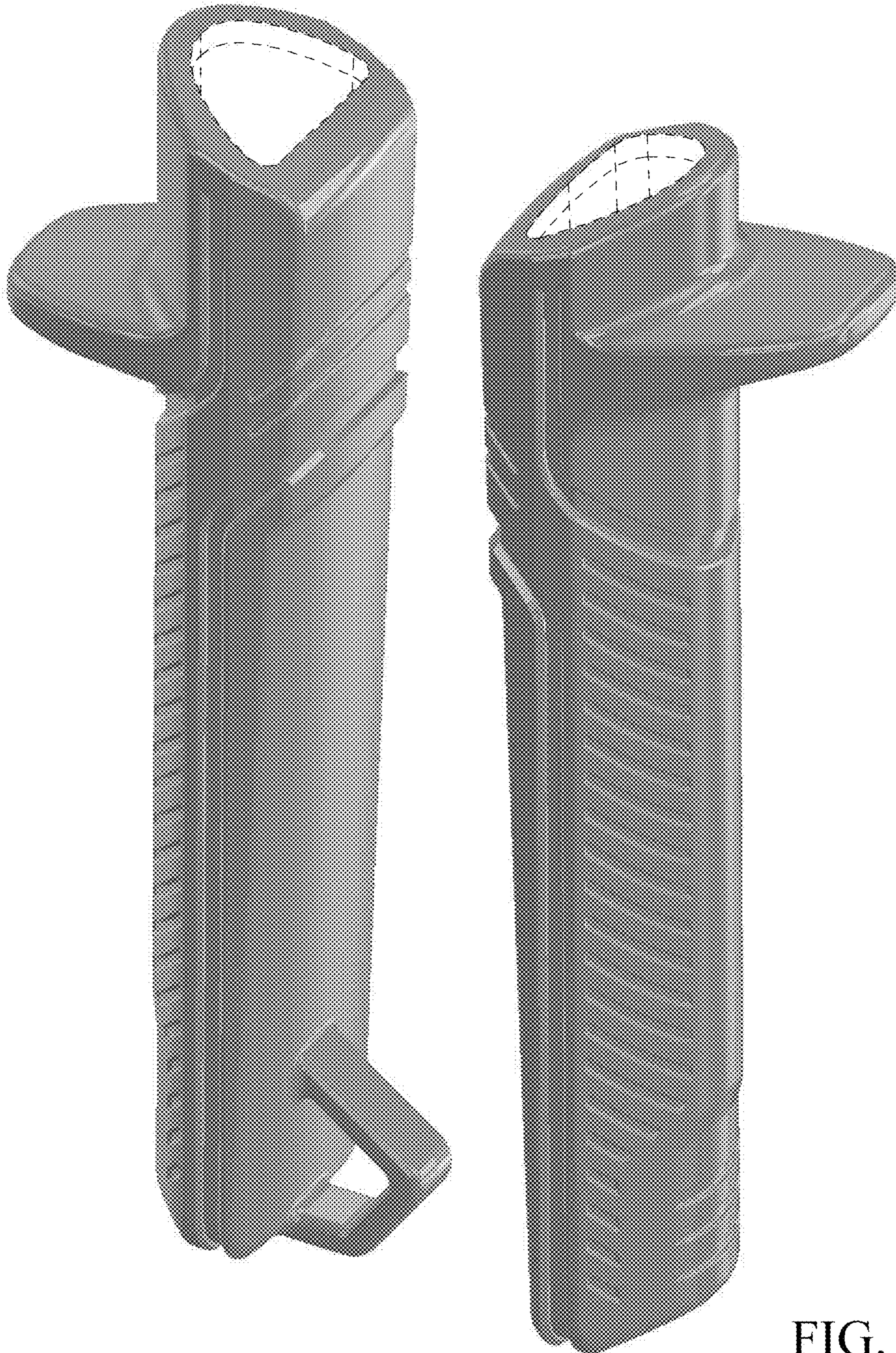


FIG. 1

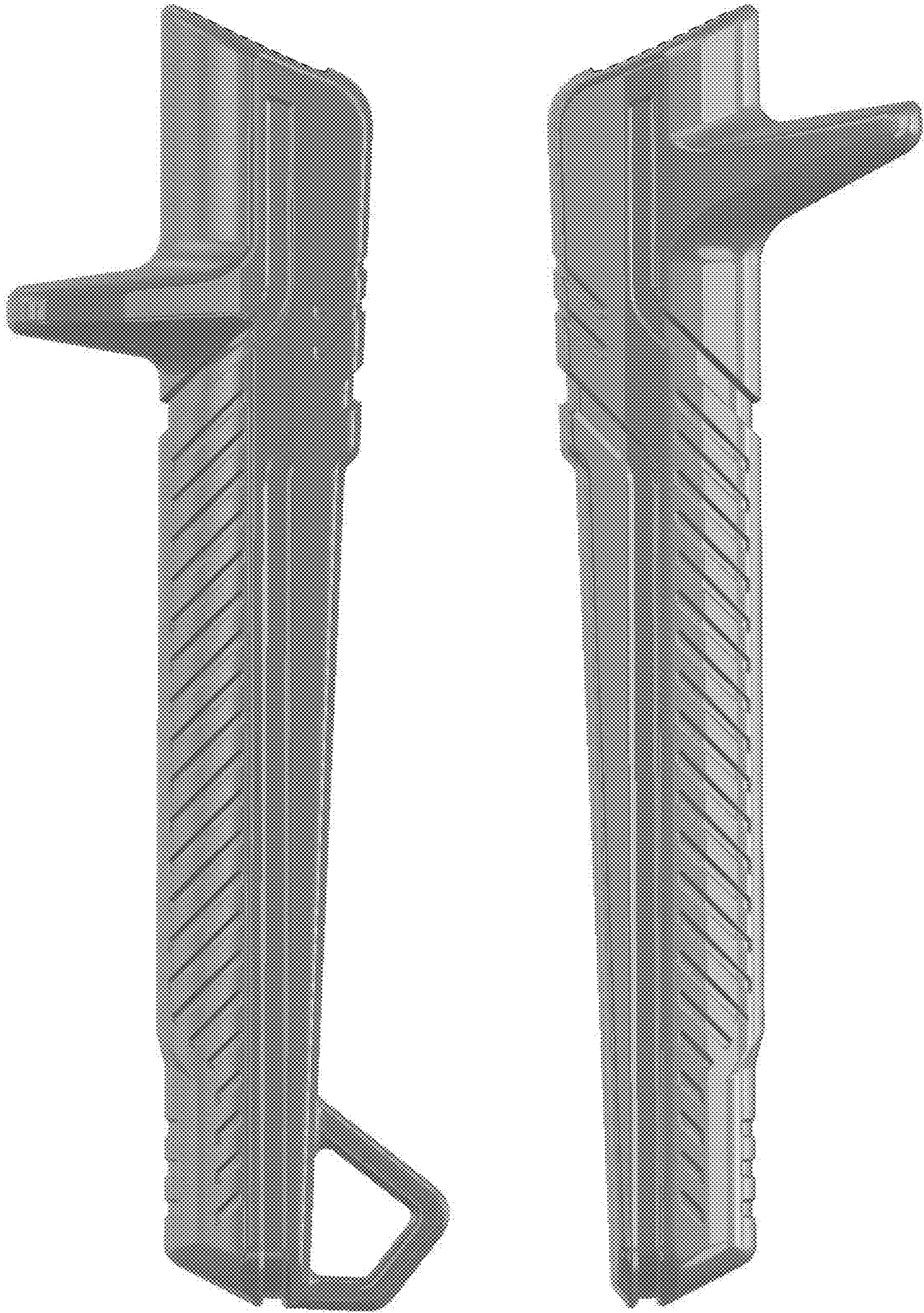


FIG. 2

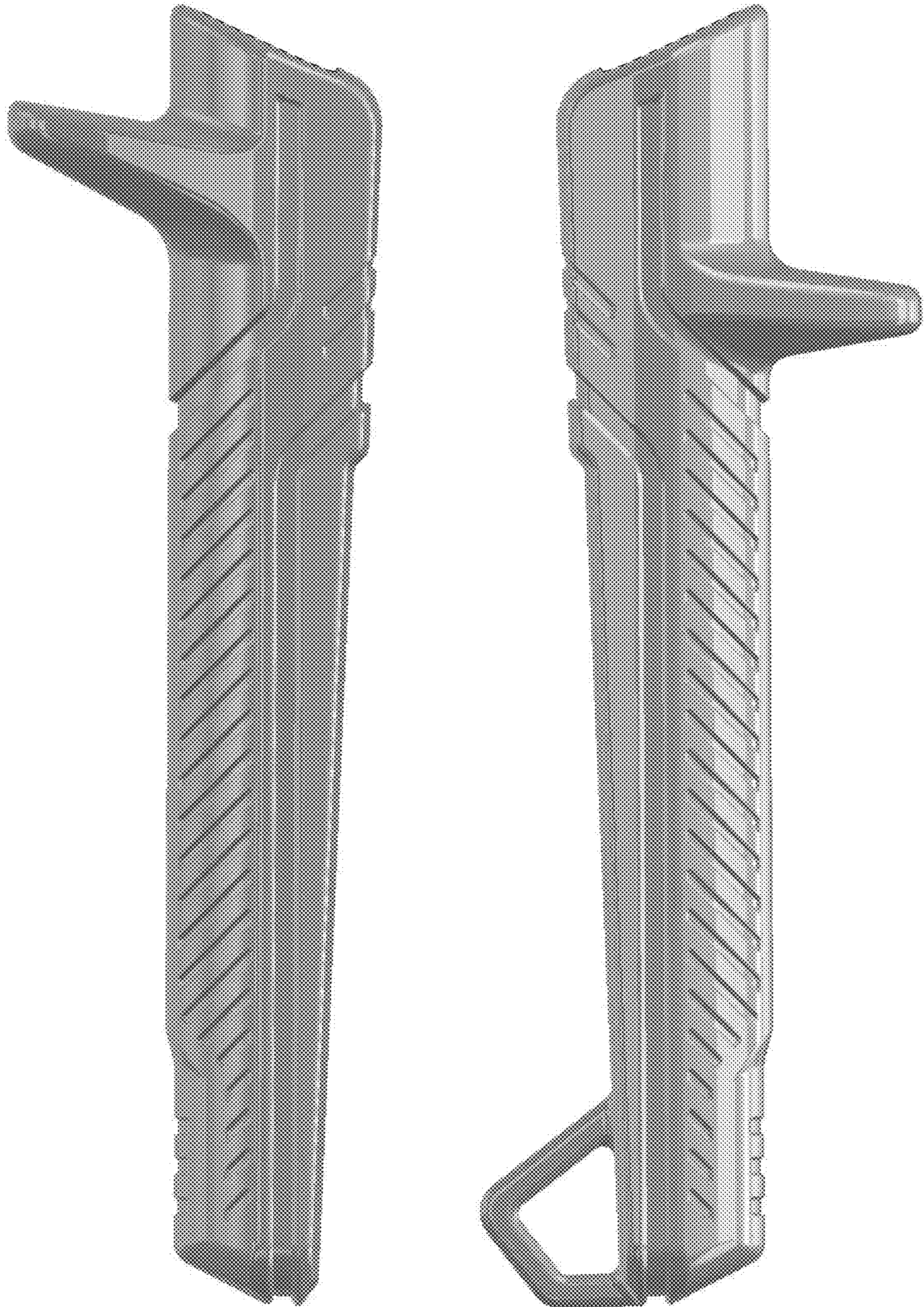


FIG. 3

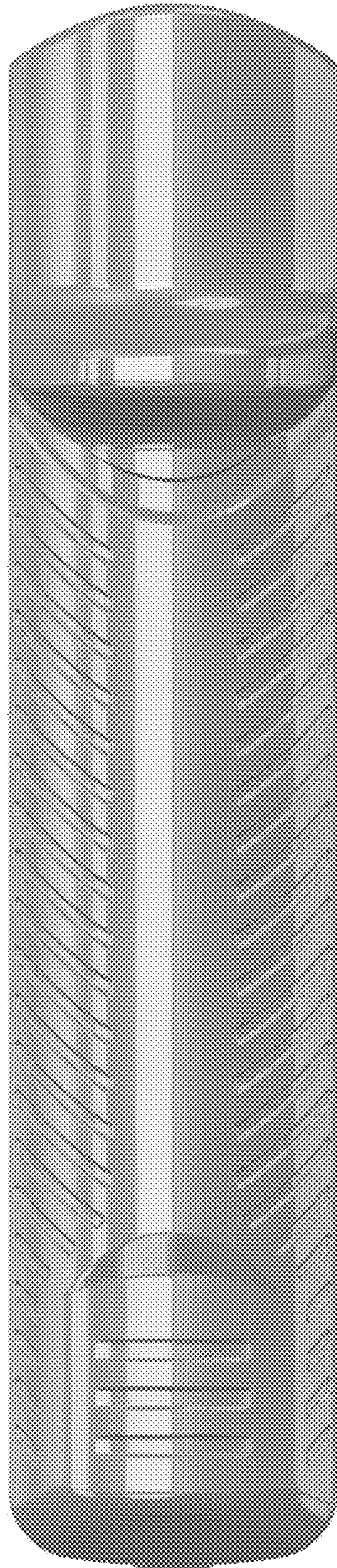


FIG. 4

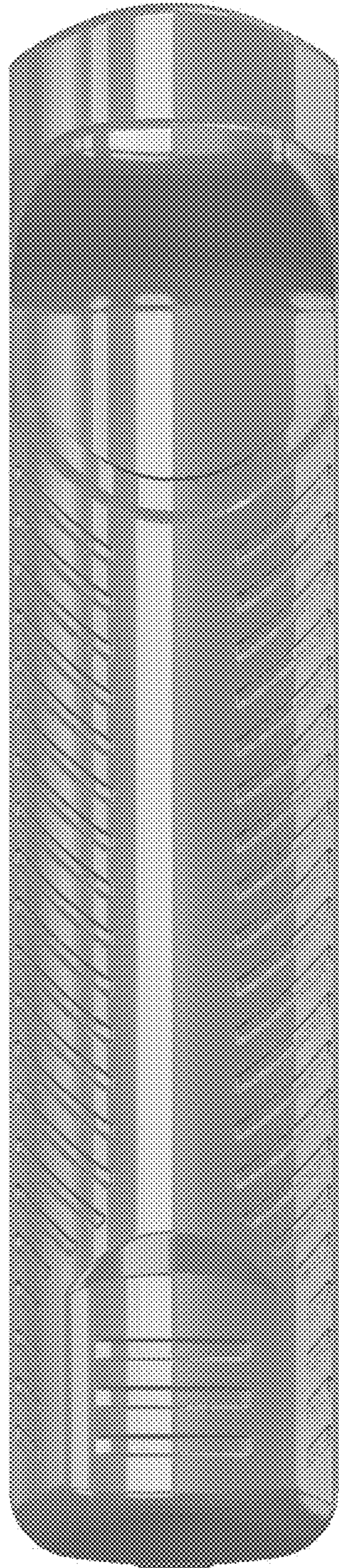


FIG. 5

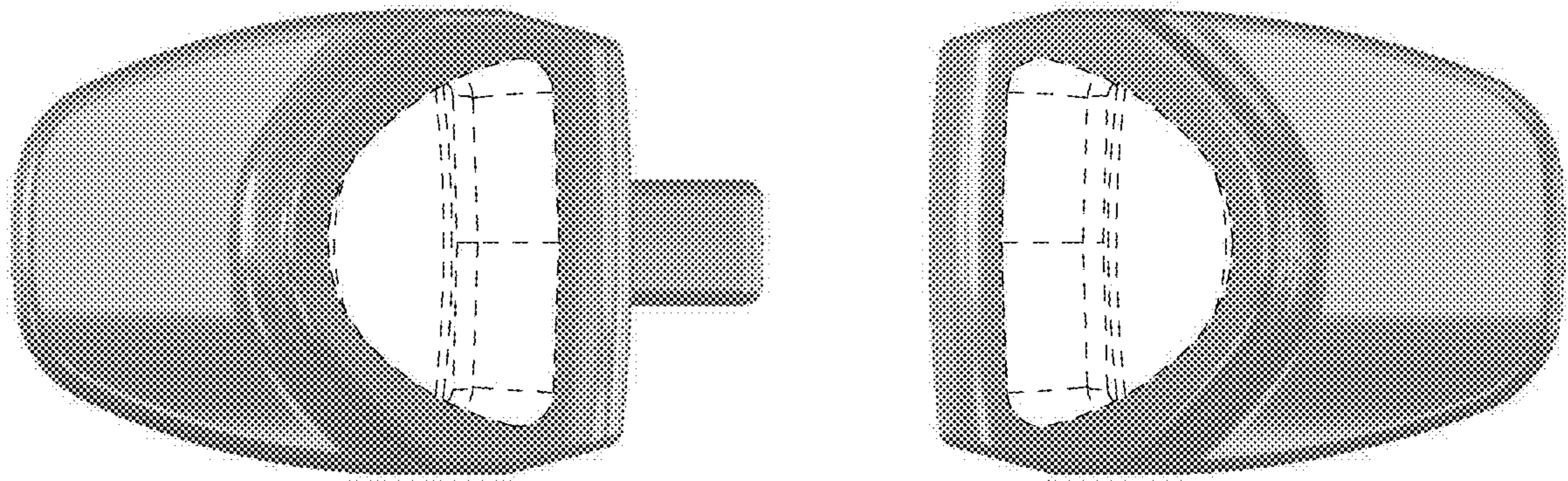


FIG. 6

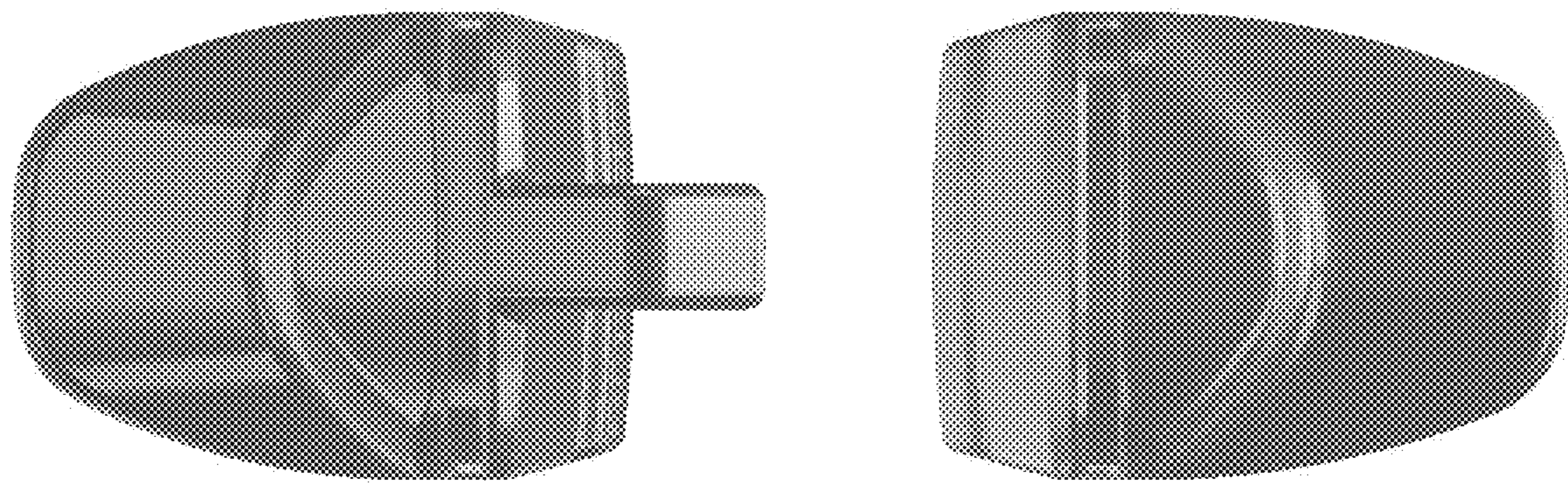


FIG. 7

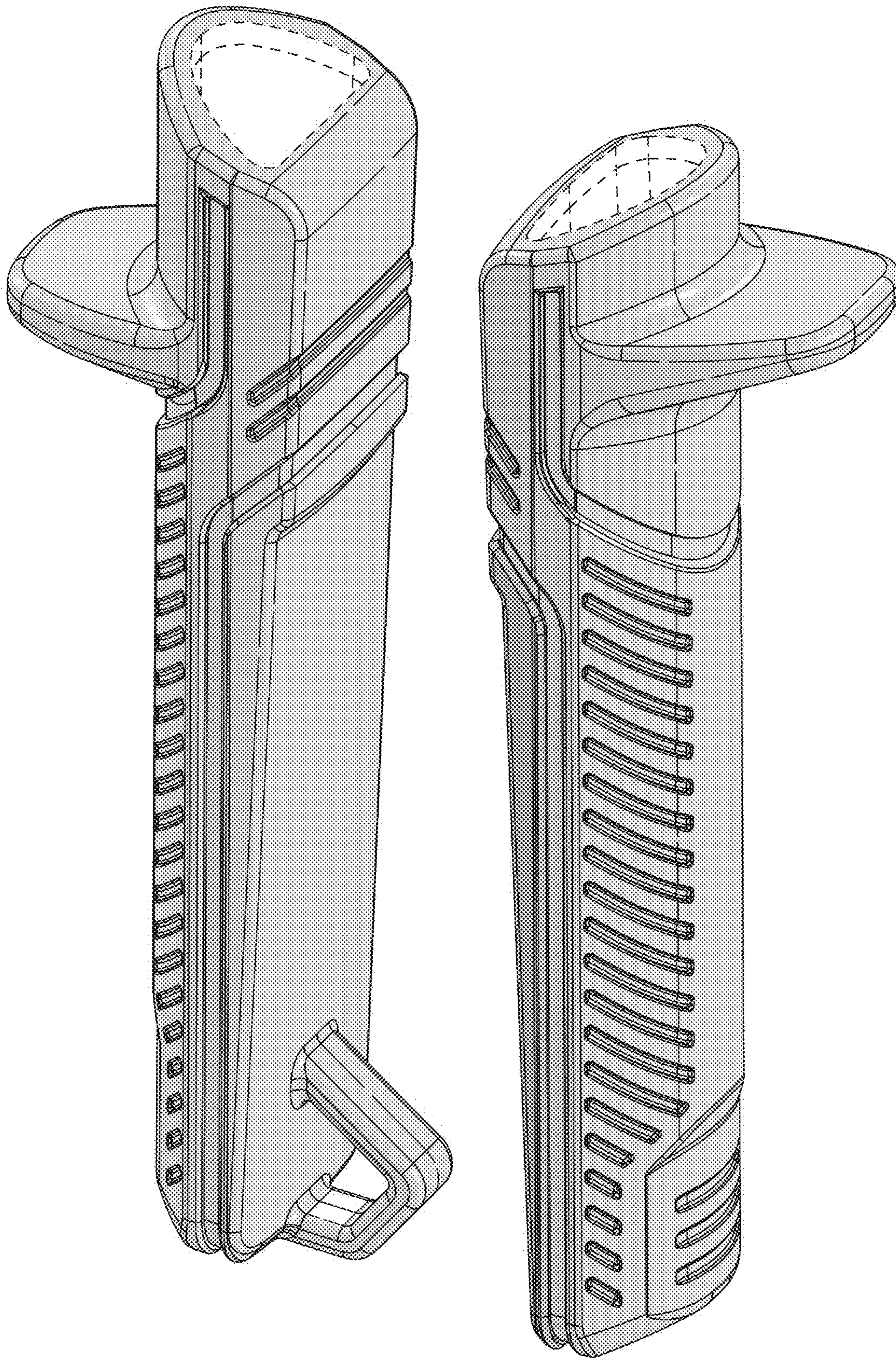


FIG. 8

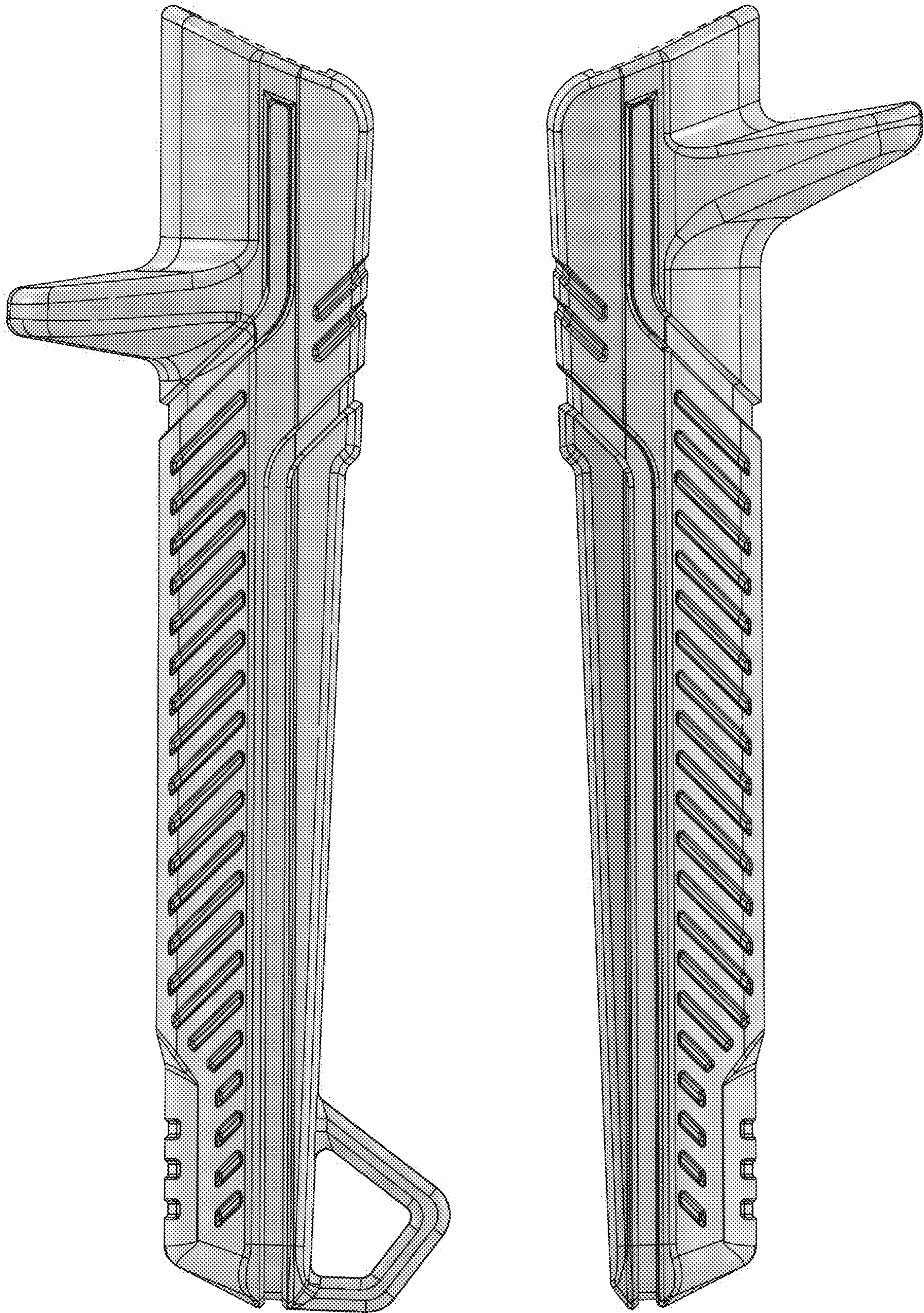


FIG. 9

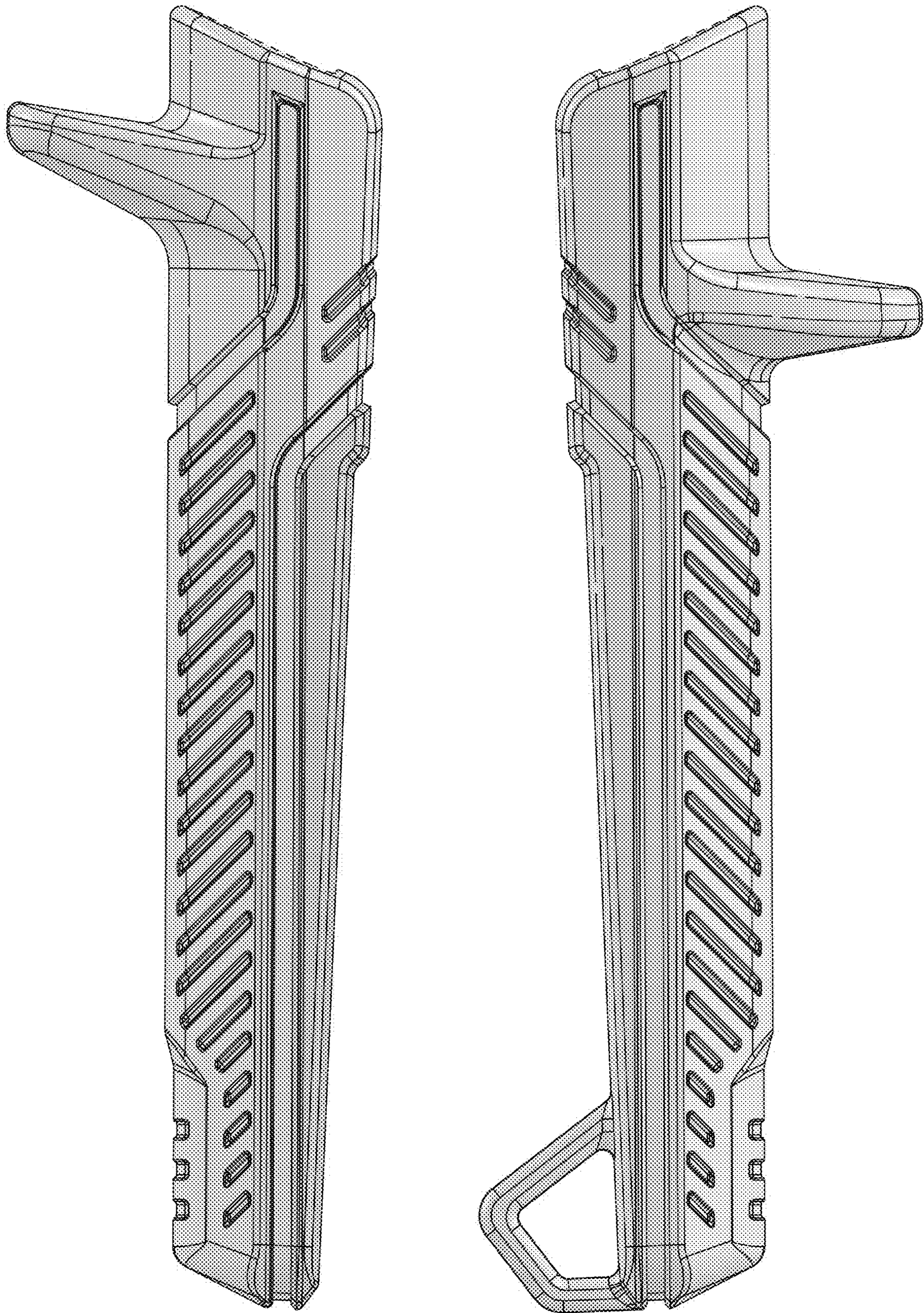


FIG. 10

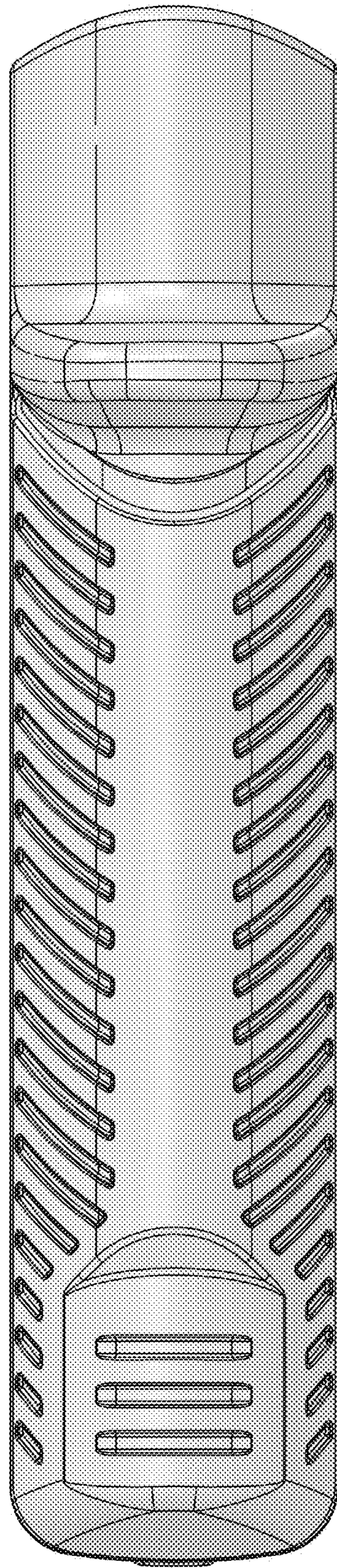


FIG. 11

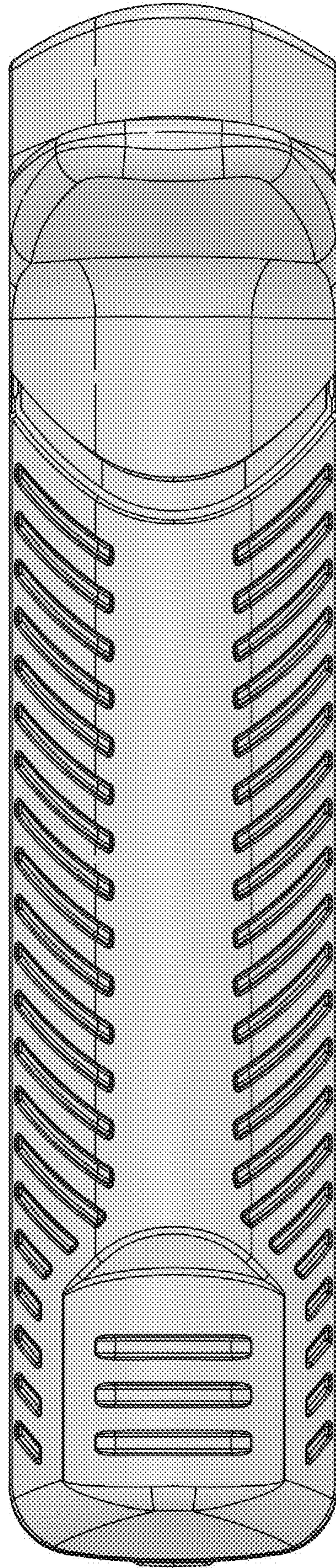


FIG. 12

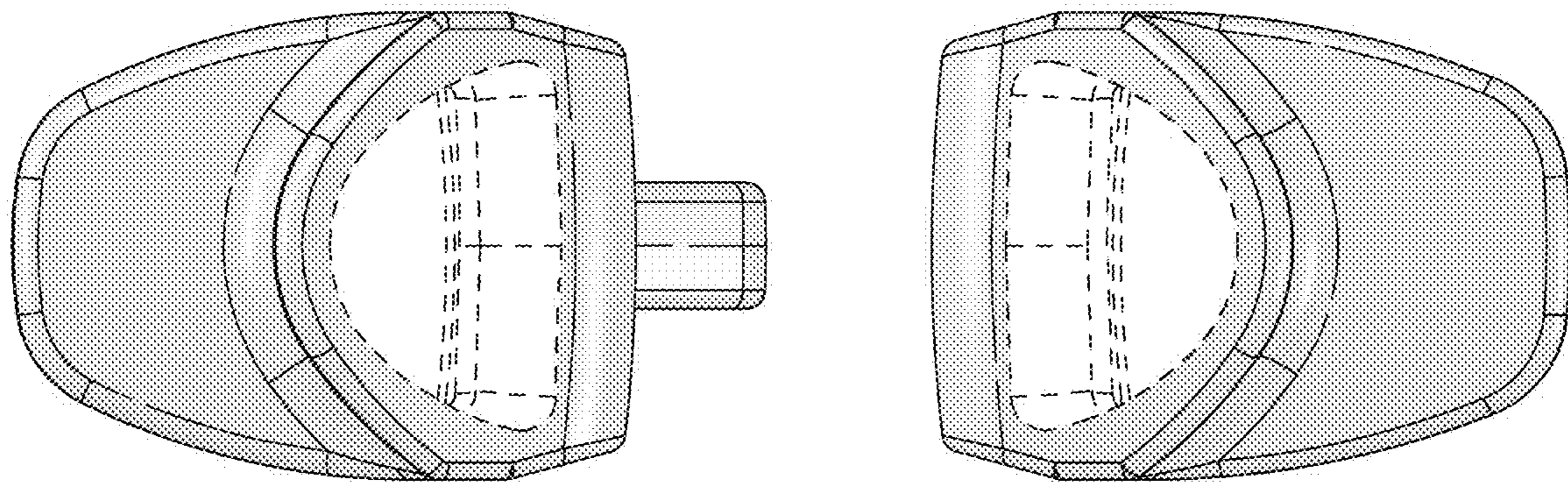


FIG. 13

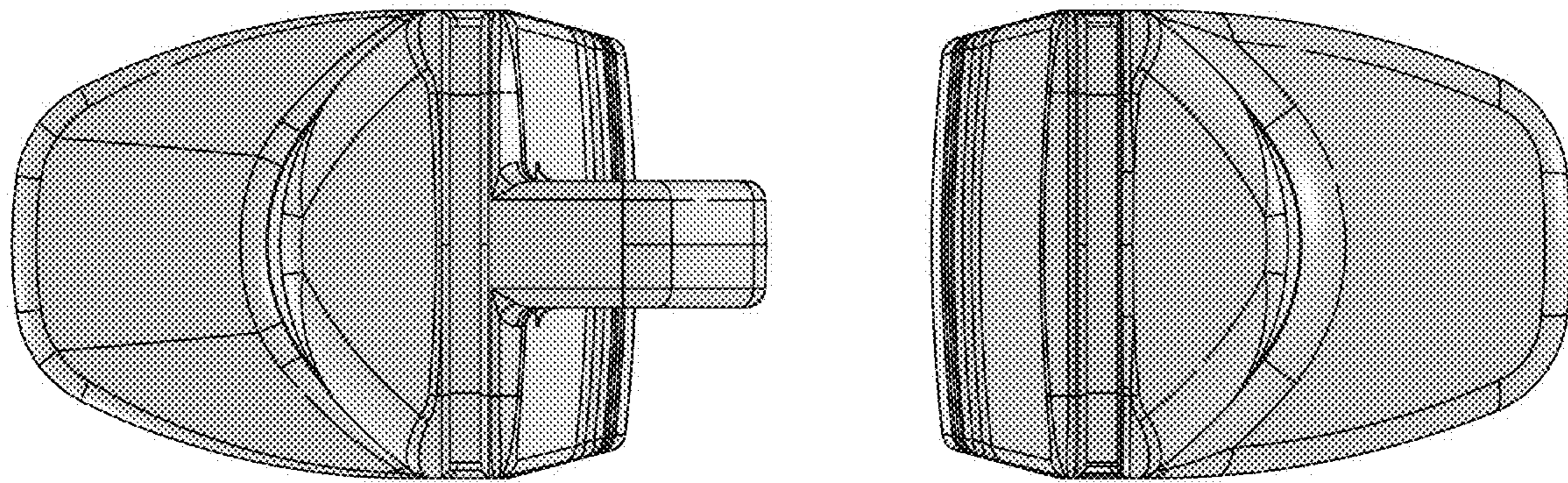


FIG. 14

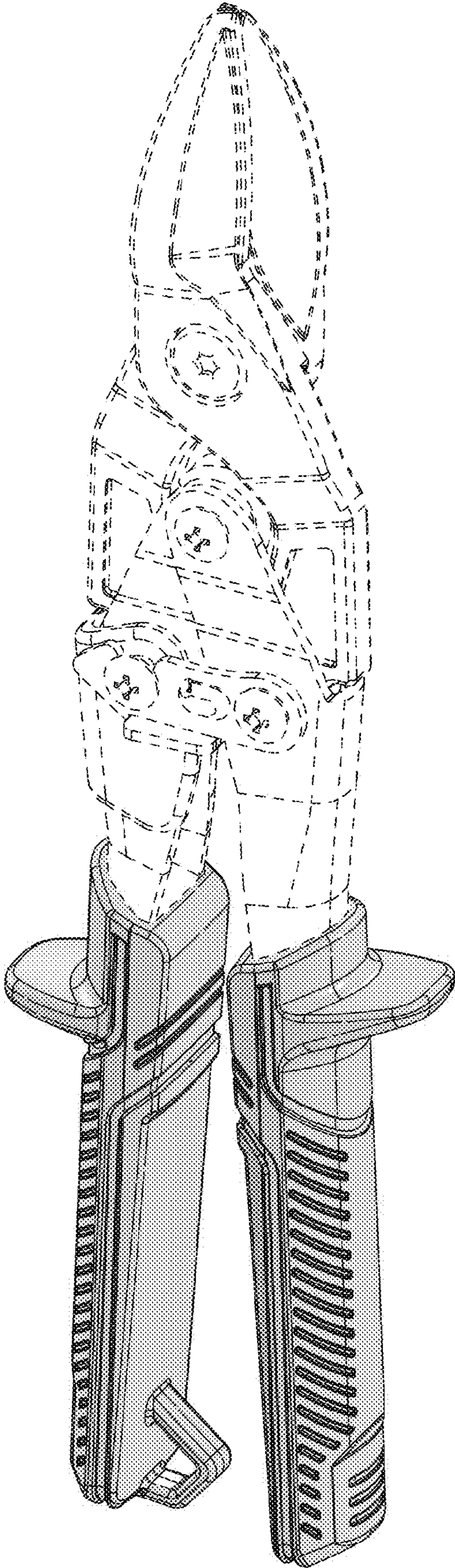


FIG. 15